

IMPORTANT FOR FUTURE REFERENCE

Please complete this information and retain this manual for the life of the equipment:

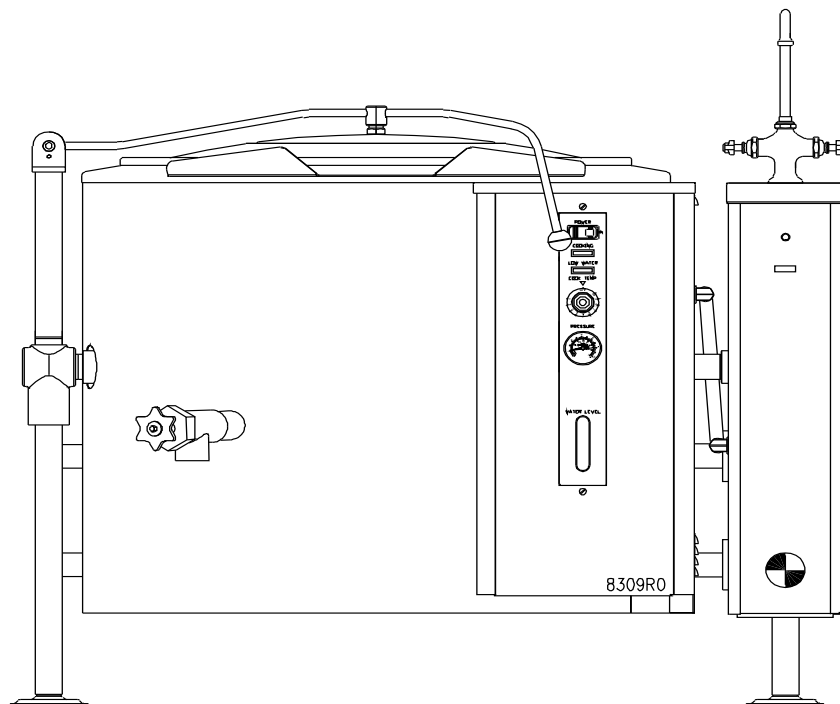
Model #: _____

Serial #: _____

Date Purchased: _____

PARTS LIST

Short Height Full Jacket Gas Tilting Kettle FT-40GLS


WARNING

Improper installation, adjustment, alteration, service or maintenance can cause property damage, injury or death. Read the installation, operating and maintenance instructions thoroughly before installing or servicing this equipment.

CROWN FOOD SERVICE EQUIPMENT
 A Middleby Company

70 Oakdale Road, Downsview (Toronto) Ontario, Canada, M3N 1V9

Telephone: 919-762-1000

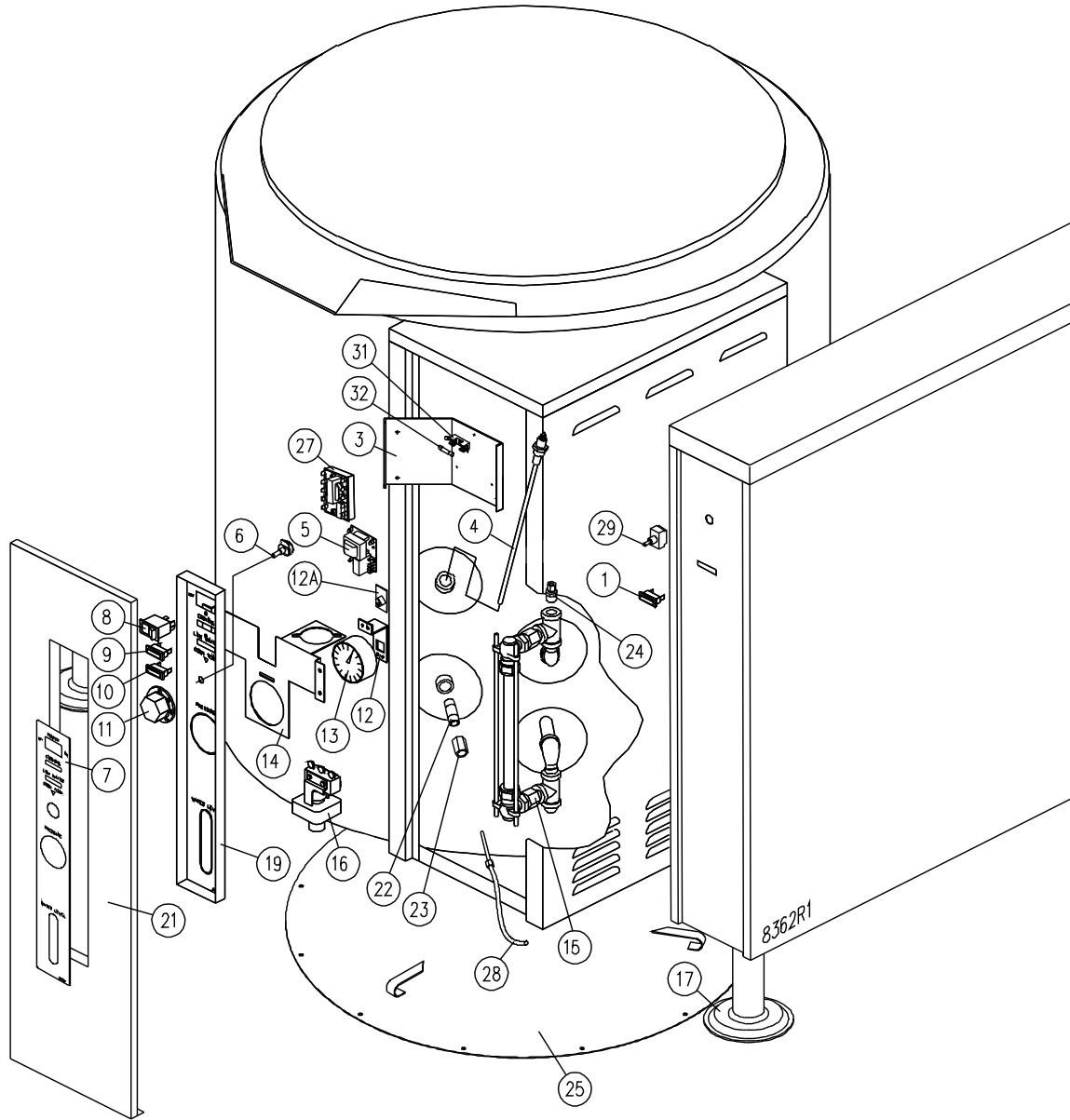
www.crownsteamgroup.com

Printed in Canada



PARTS LIST, GAS TILTING KETTLE, MODEL GLT-40FL

FIGURE 1



PARTS LIST, GAS TILTING KETTLE, MODEL GLT-40FL

FIGURE 1

| <u>ITEM</u> | <u>PART NO.</u> | <u>DESCRIPTION</u> | <u>QTY</u> | |
|-------------|-----------------|--------------------|---|---|
| | 1. | 4996-6 | Pilot Light, Green, 24V | 1 |
| * | 2. | 8303-2 | Decal, Lighting/Operating Instructions | 1 |
| | 3. | 6118-1 | Low Water & Temp. Control Bracket | 1 |
| | 4. | 3738-14 | Probe, 9-1/4 Lg. | 1 |
| | 5. | 3974-1 | Level Control, Direct Acting, 100K OHM, 120V, 60 Hz | 1 |
| | 6. | 5517-1 | Potentiometer | 1 |
| ** | 7. | 7002-1 | Operating Panel Label - Burgundy | 1 |
| | | 7002-3 | Operating Panel Label - Black | 1 |
| | 8. | 9130-2 | Switch, Rocker, Water Resistant DPST | 1 |
| | 9. | 4996-1114 | Pilot Light, Green/Red, 125 V | 1 |
| | 10. | 4996-3 | Pilot Light, Amber, 125V | 1 |
| | 11. | 4-TD02 | Knob | 1 |
| | 12. | 9-3240 | Pressure Gauge Bracket | 1 |
| | 12A. | 5845-1 | Pressure Gauge Clip | 1 |
| | 13. | 4967-1 | Pressure Gauge | 1 |
| | 14. | 8351-1 | Controls Bracket | 1 |
| | 15. | 5285-1 | Sight Glass Assembly | 1 |
| | | 9108-6 | Tubular Gauge Glass, 5/8 x 8 Lg. | 1 |
| | | 8-6016 | Rods, #98-316-14 | 2 |
| | | 8-6018 | Washer, Rubber | 2 |
| | | 8-6019 | Washer, Brass | 2 |
| | 16. | 116-6490 | Pressure Switch | 1 |
| | 17. | 8-1308 | Leg Adjustable Pad Assembly | 2 |
| * | 18. | 2976-3 | Combustion Chamber Assembly | 1 |

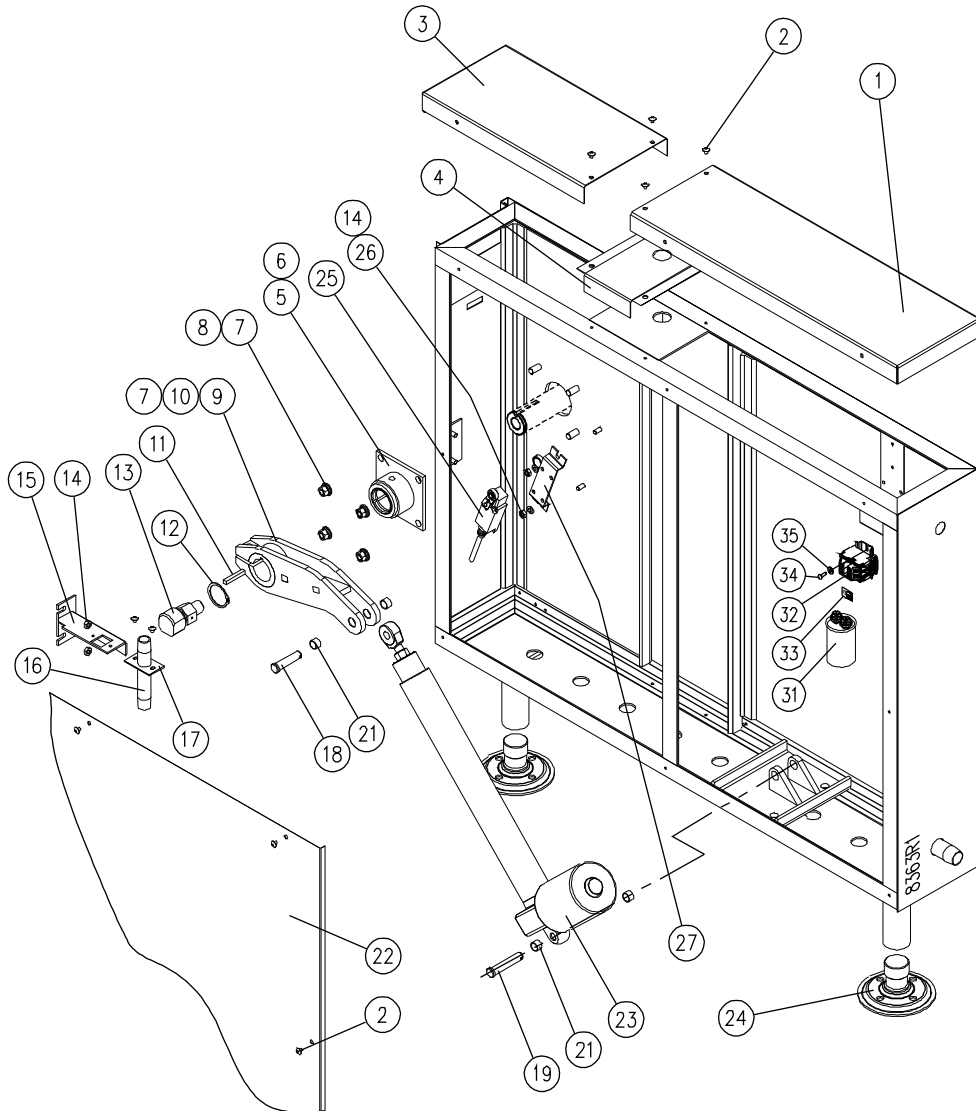
PARTS LIST, GAS TILTING KETTLE, MODEL GLT-40FL

| <u>ITEM</u> | <u>PART NO.</u> | <u>DESCRIPTION</u> | <u>QTY</u> |
|-------------|-----------------|---------------------------------------|------------|
| 19. | 7790-1 | Recess Control Panel | 1 |
| * 20. | 3586-3 | Bottom Insulation Cover | 1 |
| 21. | 7819-1 | Compartment Panel | 1 |
| 22. | 3-113C112 | Brass Pipe Nipple, 3/8 x 1-1/2 Lg. | 1 |
| 23. | 3-103C | Brass Coupling, 3/8 NPT | 1 |
| 24. | 3-T684C | Tank Fitting, Brass, 1/4C x 3/8 MPT | 1 |
| 25. | 8329-3 | Bottom Cover Assembly with Insulation | 1 |
| * 26. | 8328-3 | Insulation, Bottom Cover, 60 Gal. | 1 |
| 27. | 4174-2 | Temperature Control | 1 |
| 28. | 4309-1 | Temperature Probe Assembly | 1 |
| 29. | 9111-1 | Toggle Switch | 1 |
| * 30. | 9026-18 | Gas Flex Hose (9-3331) | 1 |
| 31. | 9068-1 | Fuse Holder | 1 |
| 32. | 9092-3 | Fuse, 2 Amp, 250V | 1 |

* NOT SHOWN.

PARTS LIST, GAS TILTING KETTLE, MODEL GLT-40FL

FIGURE 2



PARTS LIST, GAS TILTING KETTLE, MODEL GLT-40FL

FIGURE 2

| <u>ITEM</u> | <u>PART NO.</u> | <u>DESCRIPTION</u> | <u>QTY.</u> |
|-------------|-----------------|-----------------------------------|-------------|
| 1. | 6122-1 | Console Cover, Rear | 1 |
| 2. | M33S-1032-12 | Truss HD Slot Screws, 10-32 x 1/2 | 15 |
| 3. | 8353-1 | Console Cover, Front | 1 |
| 4. | 4013-3 | Console Cover, Faucet | 1 |
| 5. | 2460-1 | Trunnion Housing Assembly | 1 |
| * 6. | 4898-1 | Grease Nipple, 1/8 NPT | 1 |
| 7. | S01C-38 | Lock Washer, 3/8 | 5 |
| 8. | HN01C-3816 | Hex Nut, 3/8 - 16 | 4 |
| 9. | 8348-1 | Tilting Arm | 1 |
| * 10. | M68C-3816-1 | Socket Head Screw, 3/8 - 16 x 1" | 1 |
| 11. | 6321-3 | Square Key | 1 |
| 12. | 1-R315 | Retaining Ring | 1 |
| 13. | 9196-1 | Gas Swivel Assembly | 1 |
| 14. | 9029-1 | Hex Nut, 1/4-20 | 4 |
| 15. | 6123-1 | Stopper Assembly | 1 |
| 16. | 9009-040 | Black Pipe Nipple, 1/2" NPT x 4" | 1 |
| 17. | 6110-1 | Nipple Plate | 1 |
| 18. | 5605-2 | Clevis Pin, 1/2" x 2" | 1 |
| 19. | 5605-3 | Clevis Pin, 1/2" x 2-1/2" | 1 |
| * 20. | 5329-5 | Cotter Pin | 2 |
| 21. | 9263-0806 | Bushing | 4 |
| 22. | 8354-1 | Console Wraparound | 1 |
| 23. | 9352-1 | Actuator | 1 |
| 24. | 8-1308 | Adjustable Foot | 2 |

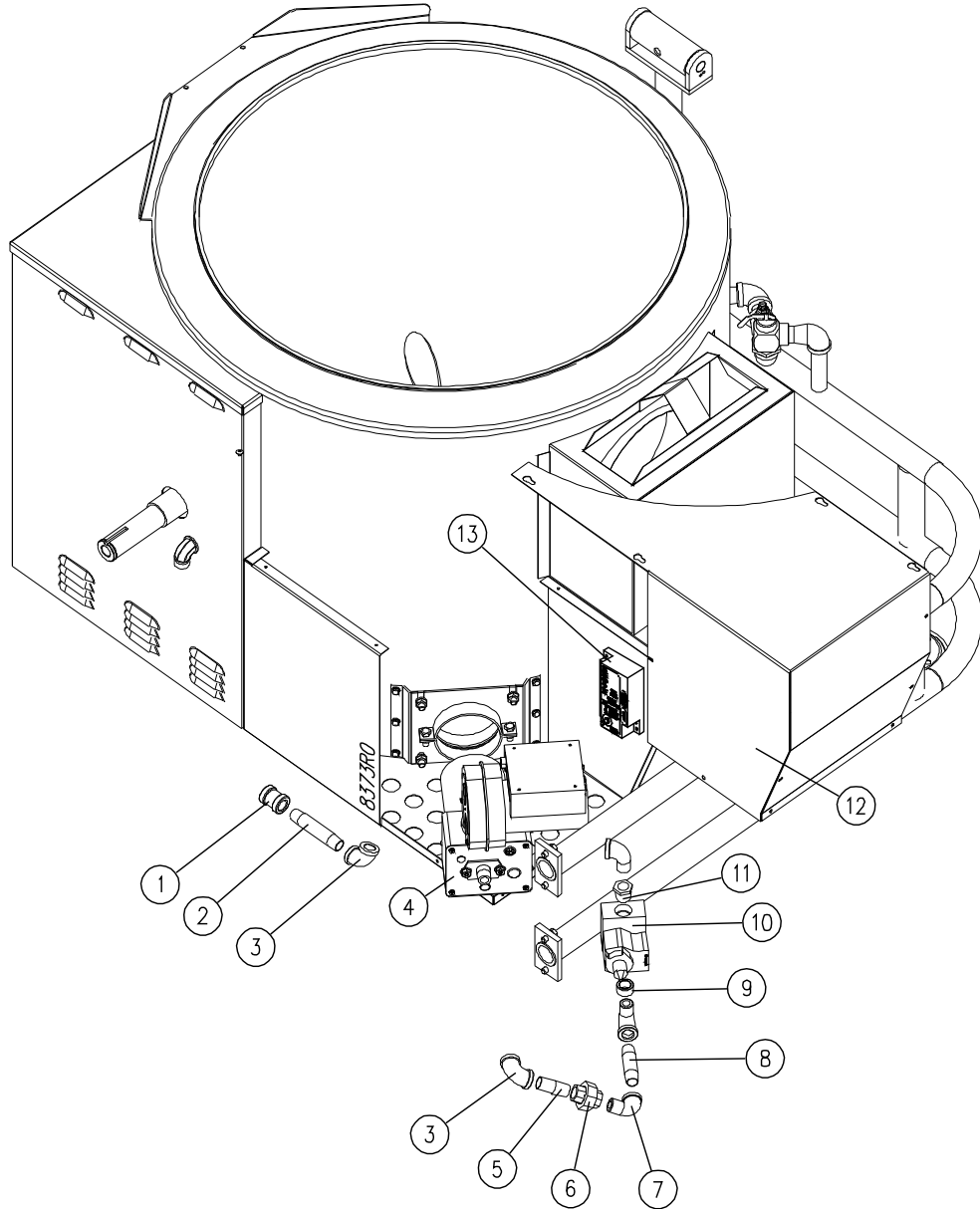
PARTS LIST, GAS TILTING KETTLE, MODEL GLT-40FL

| <u>ITEM</u> | <u>PART NO.</u> | <u>DESCRIPTION</u> | <u>QTY.</u> |
|-------------|-----------------|------------------------------------|-------------|
| 25. | 9168-1 | Tilt Limit Switch | 1 |
| 26. | S01C-14 | Lock Washer, 1/4 | 2 |
| 27. | 6274-1 | Bracket, Limit Switch | 1 |
| * 28. | M93C-1032-38 | Pan Head Slot Screw, #10-32 x 3/8" | 4 |
| * 29. | 9058-2 | 90° Connector, 1/2" | 1 |
| * 30. | 4127-3 | Cord Set | 1 |
| 31. | 9353-1 | Capacitor, 30.0 MFD | 1 |
| 32. | 9390-2 | Terminal Block Assembly, 2 Pole | 1 |
| | | Includes the following parts: | |
| | 9391-1 | Modular Terminal | 2 |
| | 9392-1 | End Plate | 1 |
| | 9393-1 | End Clamp | 2 |
| | 9394-053 | Mounting Rail | 1 |
| 33. | 4188-1 | Earth/Ground ID Tag | 1 |
| 34. | M13X-832-14 | Round Head Screw, #8-32 x 1/4 Long | 2 |
| 35. | E01X-8 | External Tooth Lock Washer #8 | 2 |

* NOT SHOWN

PARTS LIST, GAS TILTING KETTLE, MODEL GLT-40FL

FIGURE 3



PARTS LIST, GAS TILTING KETTLE, MODEL GLT-40FL

FIGURE 3

| <u>ITEM</u> | <u>PART NO.</u> | <u>DESCRIPTION</u> | <u>QTY.</u> | |
|-------------|-----------------|----------------------------------|-------------------------|---|
| 1. | 9042-3 | 1/2" NPT Connector | 1 | |
| 2. | 9009-040 | Nipple, 1/2" x 4" Long | 1 | |
| 3. | 9011-3 | Elbow, Regular | 2 | |
| 4. | 9365-1 | Alternate Power Burner | 1 | |
| 5. | 9009-000 | Closed Nipple B-MN12-CL | 1 | |
| 6. | 9015-3 | Union, 1/2" NPT | 1 | |
| 7. | 9012-3 | Strait Elbow, 1/2" NPT | 3 | |
| 8. | 9009-030 | Nipple, 1/2" NPT x 3" Long | 1 | |
| 9. | 9201-1 | Adaptor, 3/4" NPT x 1/2" NPT | 1 | |
| 10. | 5449-2 | Gas Valve (Nat./LP), 3/4" x 3/4" | 1 | |
| 11. | 9033-2 | Black Reducer Bushing | 1 | |
| 12. | 8332-1 | Enclosure Cover | 1 | |
| 13. | 3876-2 | DSI Module | 1 | |
| ** | 14. | 9136-4 | Orifice #4, Natural Gas | 1 |
| | | 9136-20 | Orifice #20, L.P. Gas | 1 |
| * | 15. | 9026-18 | Gas Flex Tube | 1 |
| * | 16. | 4618-187 | Enclosure Cover Gasket | 1 |
| * | 17. | 9141-2 | Ignition Wire | 1 |

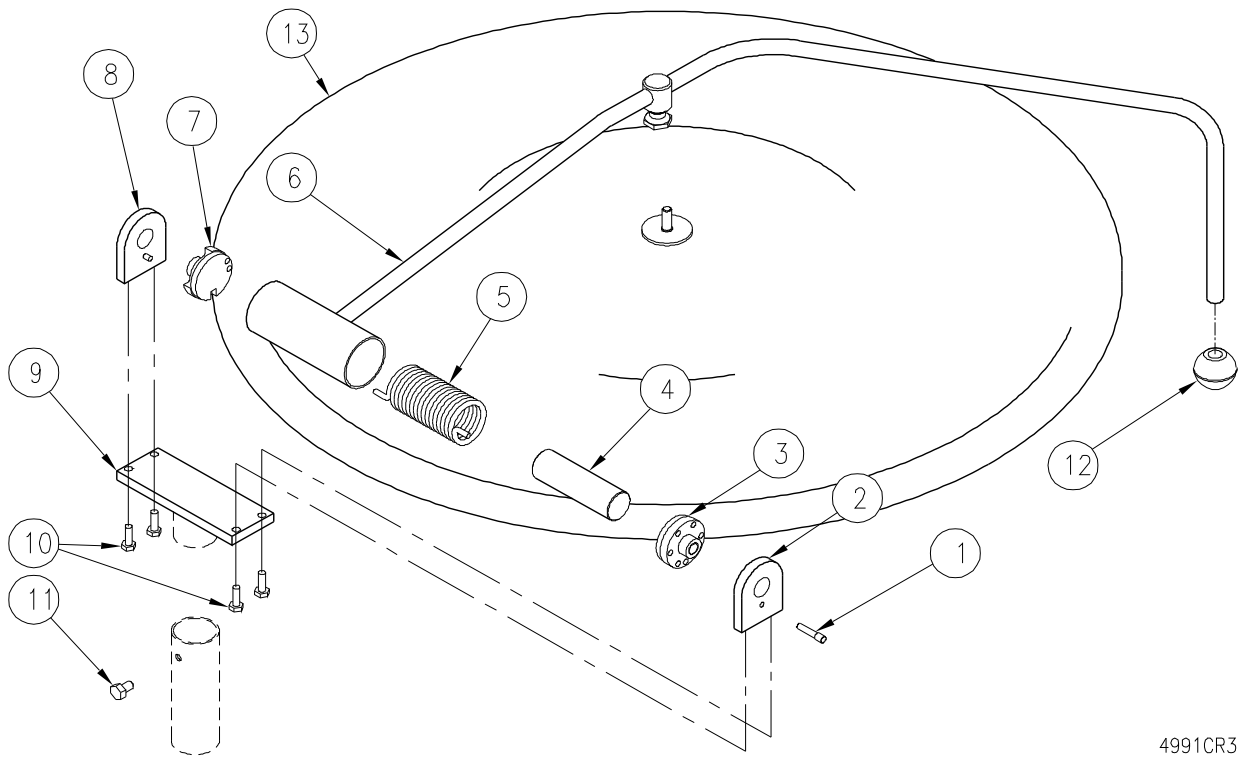
* NOT SHOWN

** SELECT AS REQUIRED.

a) Orifices opening dimension is calculated for an elevation from 0 to 2,000 feet. For the proper orifice dimension for your application please contact the manufacturer (for elevations over 2,000 feet.)

PARTS LIST, GAS TILTING KETTLE, MODEL GLT-40FL

FIGURE 4



4991CR3

PARTS LIST, GAS TILTING KETTLE, MODEL GLT-40FL

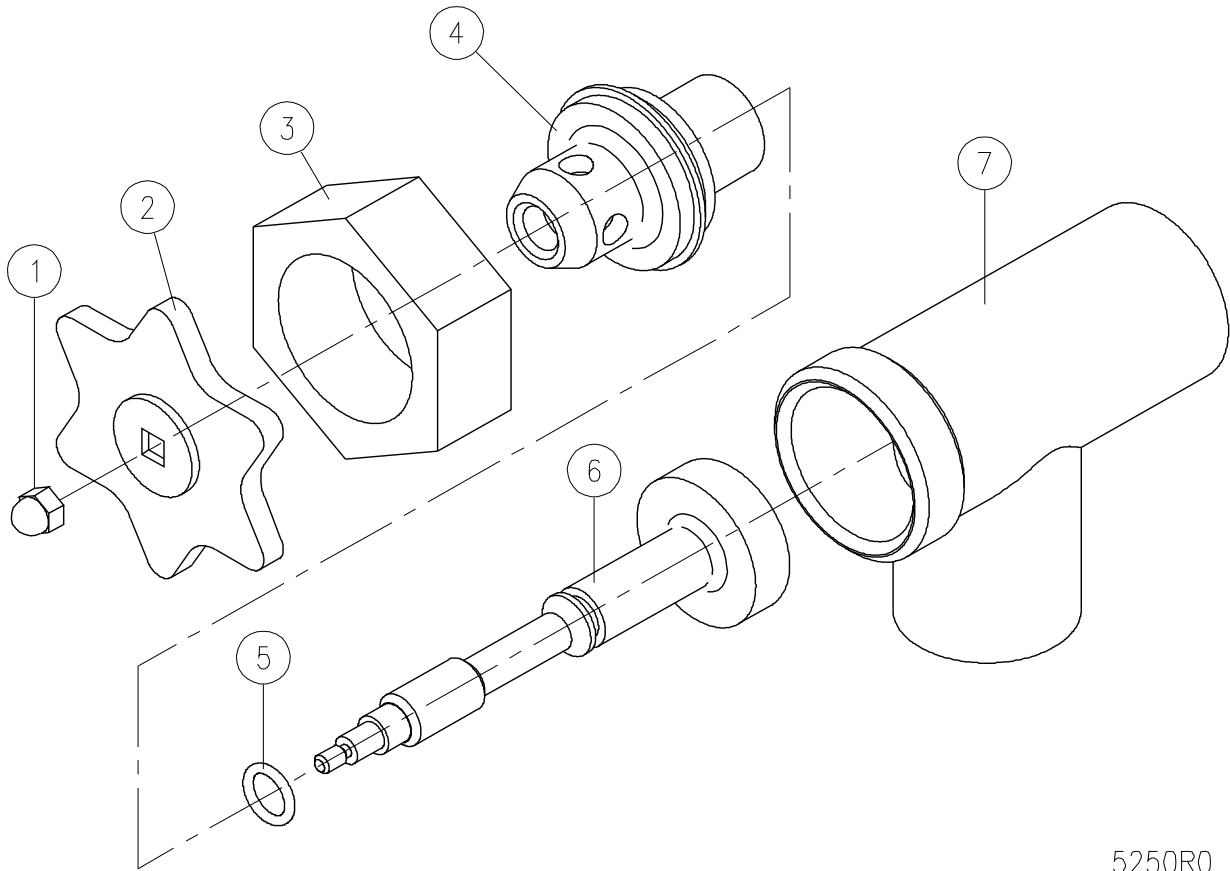
FIGURE 4

SPRING ASSSIST HINGE ASSEMBLY

| <u>ITEM</u> | <u>PART NO.</u> | <u>DESCRIPTION</u> | <u>QTY.</u> |
|-------------|-----------------|---|-------------|
| | 9-3185 | HINGE ASSEMBLY (Includes Parts: 1, 2, 3, 4, 5, 7, 8) | |
| 1. | 8-2029 | Lock Pin | 1 |
| 2. | 8-2035L | End Lock Plate | 1 |
| 3. | 5428-1 | Stationary Disc | 1 |
| 4. | 5430-1 | Core | 1 |
| 5. | 8-2026 | Spring | 1 |
| 6. | 8389-2 | Handle Assembly | 1 |
| 7. | 5429-1 | Rotary Disc | 1 |
| 8. | 8-2021 | End Stop Plate | 1 |
| 9. | 4261-2 | Hinge Support Riser | 1 |
| 10. | M50S-1420-34 | Hex Hd Screws, 1/4 - 20 x 3/4 | 4 |
| 11. | M50S-51618-12 | Hex Hd Screw, 5/16-18-1/2 | 1 |
| ** 12. | 2-KB01 | Knob | 1 |
| 13. | 8-2006 | Cover | 1 |

** SELECT AS REQUIRED.

DRAW-OFF VALVE



5250R0

PARTS LIST, GAS TILTING KETTLE, MODEL GLT-40FL

FIGURE 5

| <u>ITEM</u> | <u>PART NO.</u> | <u>DESCRIPTION</u> | <u>QTY.</u> |
|-------------|-----------------|--------------------------------|-------------|
| | 3-D015 | 1-1/2" DRAW-OFF VALVE ASSEMBLY | 1 |
| 1. | 9031-3 | Acorn Nut, 10-24 UNC | 1 |
| 2. | 4115-1 | Handle, Stainless Steel | 1 |
| 3. | 3-DV14 | Bonnet | 1 |
| 4. | 3-DV13 | Gland Nut | 1 |
| 5. | 3-DV16 | "O" Ring | 1 |
| 6. | 3-DV15RV | Stem Assembly | 1 |
| 7. | 3-DV17 | Valve Body | 1 |

| <u>ITEM</u> | <u>PART NO.</u> | <u>DESCRIPTION</u> | <u>QTY.</u> |
|-------------|-----------------|----------------------------|-------------|
| | 3-D020 | 2" DRAW-OFF VALVE ASSEMBLY | 1 |
| 1. | 9031-3 | Acorn Nut, 10-24 UNC | 1 |
| 2. | 4115-1 | Handle, Stainless Steel | 1 |
| 3. | 3-DV24 | Bonnet | 1 |
| 4. | 3-DV23 | Gland Nut | 1 |
| 5. | 3-DV26 | "O" Ring | 1 |
| 6. | 3-DV25RV | Stem Assembly | 1 |
| 7. | 3-DV27 | Valve Body | 1 |

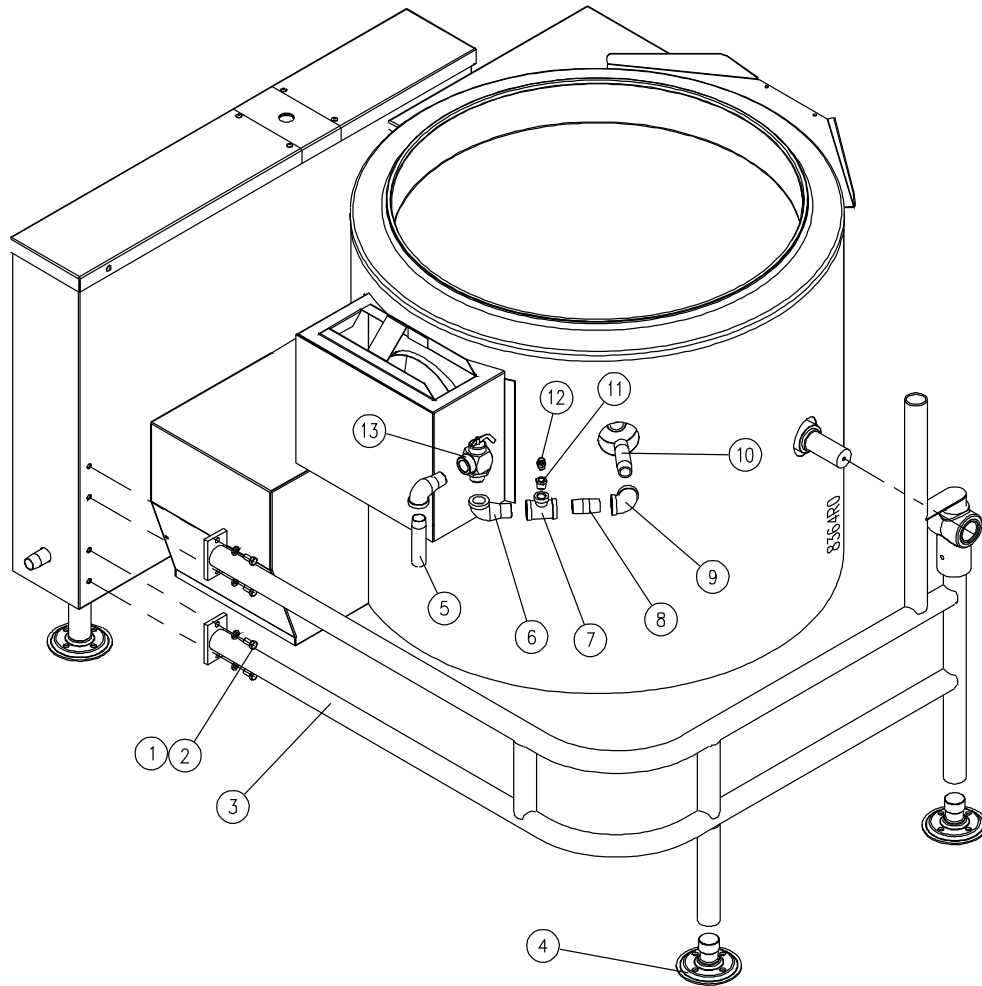
PARTS LIST, GAS TILTING KETTLE, MODEL GLT-40FL

FIGURE 5

| <u>ITEM</u> | <u>PART NO.</u> | <u>DESCRIPTION</u> | <u>QTY.</u> |
|--------------------|------------------------|----------------------------|--------------------|
| | 3-D030 | 3" DRAW-OFF VALVE ASSEMBLY | |
| 1. | 3-DV31 | Acorn Nut, 7/16 - 14 UNC | 1 |
| 2. | 3-DV32 | Handle, Stainless Steel | 1 |
| 3. | 3-DV34 | Bonnet | 1 |
| 4. | 3-DV33 | Gland Nut | 1 |
| 5. | 3-DV36 | "O" Ring | 1 |
| 6. | 3-DV35RV | Stem Assembly | 1 |
| 7. | 3-DV37 | Valve Body | 1 |

PARTS LIST, GAS TILTING KETTLE, MODEL GLT-40FL

FIGURE 6



PARTS LIST, GAS TILTING KETTLE, MODEL GLT-40FL

FIGURE 6

| <u>ITEM</u> | <u>PART NO.</u> | <u>DESCRIPTION</u> | <u>QTY.</u> |
|-------------|-----------------|---|-------------|
| 1. | M50S-3816-12 | Hex Head Screws, 3/8-16 UNC x 1/2" Lg. | 4 |
| 2. | S01C38 | Lock Washer, 3/8" | 4 |
| ** 3. | 8344-1 | Left Hand Trunnion Support Assembly | 1 |
| | 8344-2 | L.H. Trunnion Support Assy. Without Cover Support | 1 |
| 4. | 3223-1 | Adjustable Foot | 2 |
| 5. | 5184-1 | Relief Valve Extension | 1 |
| 6. | 9012-4P | Threaded Elbow, 3/4 M x 3/4 F | 2 |
| 7. | 9013-6P | Tee, 3/4 x 3/4 x 3/8, Plated | 1 |
| 8. | 9010-020 | Nipple, 3/4" x 2" Long | 1 |
| 9. | 9011-4 | Elbow, Regular, 3/4" | 1 |
| 10. | 9010-034 | Nipple, 3/4" NPT x 3-1/2" Long | 1 |
| 11. | 3-110CB | Brass Adaptor, 3/8" to 1/4" | 1 |
| 12. | 9343-1 | Air Vent | 1 |
| 13. | 3-SRV9-1 | Pressure Release Valve, 50 PSI | 1 |

** SELECT AS REQUIRED.