



MARKET FORGE

FT-40GLF FULLY JACKETED GAS TILTING KETTLE REPLACEMENT PARTS LIST

EFFECTIVE JANUARY 9, 2018

Superseding All Previous Parts Lists.

The Company reserves the right to make substitution in the event that items specified are not available.

ERRORS: Descriptive and/or typographic errors are subject to correction.

MARKET FORGE

Telephone: (802) 658-6600 Fax: (802) 860-3732

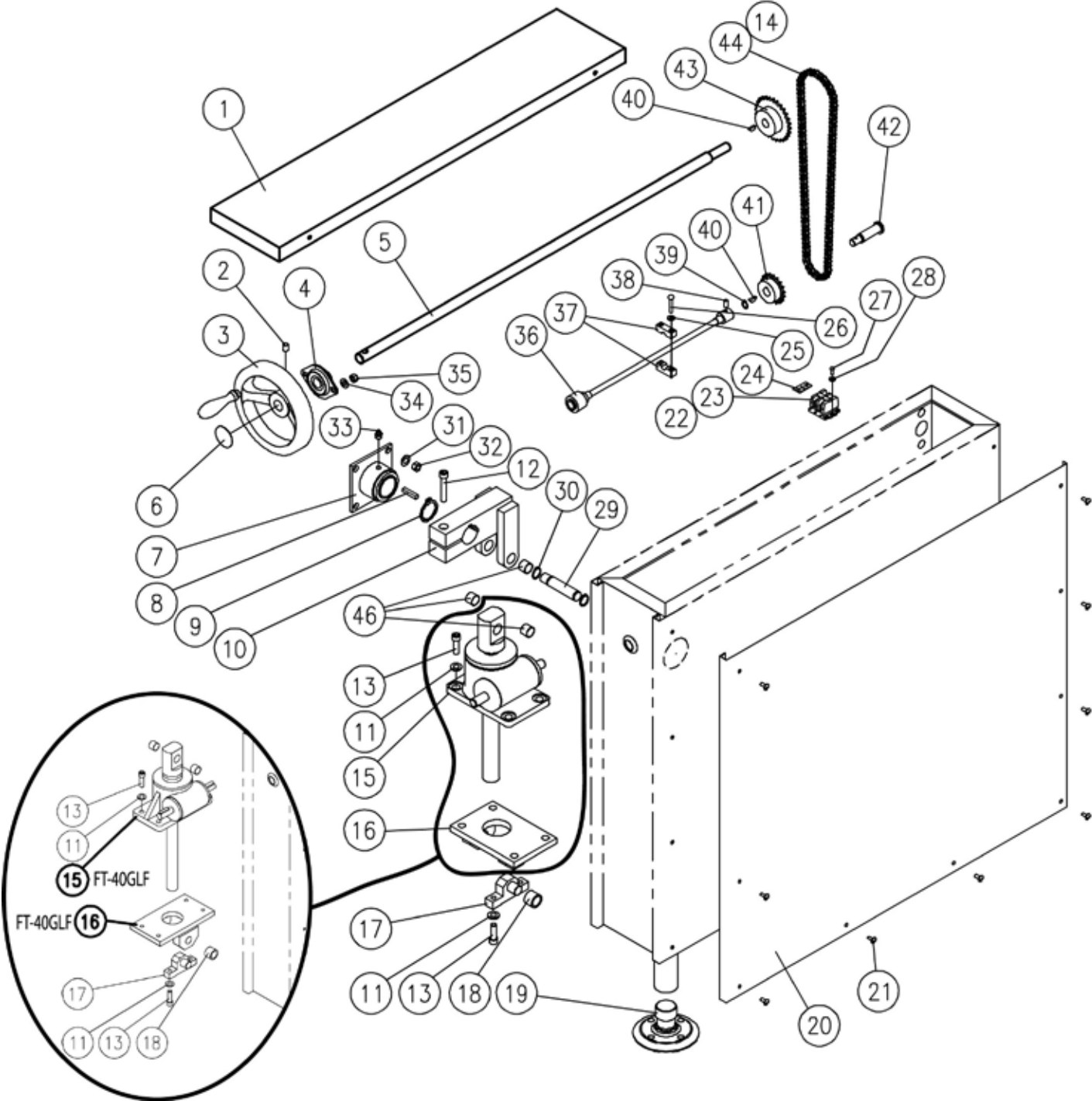
www.marketforge.com

P/N 14-0802 Rev A (1/18)

TABLE OF CONTENTS

TILT CONSOLE AND PARTS.....	3
KETTLE.....	6
INTERIOR COMPONENTS	8
DRAW OFF VALVE.....	10
SPRING ASSIST HINGE ASSEMBLY	12
WIRING - 120V, 1 PHASE	13
WIRING - 220-240V, 1 PHASE	15

TILT CONSOLE AND PARTS



TILT CONSOLE AND PARTS

ITEM	PART NO.	DESCRIPTION	QTY
**1	97-5829	Console Cover	1
*	98-6196	Console Cover Assembly (Faucet Mount), OPTIONAL.	1
*	97-5902	Spacer (Faucet Mount), OPTIONAL.	1
2	97-5091	Set Screw	1
3	97-5090	Handwheel	1
4	97-5814	Front Bearing	1
5	97-5832	Tilt Shaft	1
6	97-6494	Tilt Label	1
7	97-5712	Trunnion Housing Assembly	1
8	97-5845	Key	1
9	97-5546	Retaining Ring	1
10	97-5737	Arm	1
11	97-5868	Flat Washer 3/8	As Required
12	97-5870	Hex Socket Cap Screw, 3/8 - 16 x 2 - 1/8	1
13	97-5869	Hex Socket Cap Screw, 3/8 - 16 x 1 - 1/4	8
14	97-5818	Chain Link	1
15	97-5830	Screw Jack	1
16	97-7251	Base Assembly	1
17	97-5831	Base Bracket Assembly	1
18	97-5813	Bearing	2
19	97-5032	Adjustable Foot	2
20	97-5732	Side Panel	1
21	97-5738	Truss HD Slot Screw, 10 - 32 x 1/2	10
22	10-6963	Terminal Block Section	2
23	10-6962	End Section	1
24	97-5848	Earth ID Tag	1
25	97-5866	Flat Washer #10	2
26	97-5751	Truss HD Phillips Drive, 10 - 32 x 1-1/4	2
27	97-5733	RD HD Slot Drive Screws, 8 - 32 x 1/4	3
28	97-5865	External Tooth Washer # 8	3
29	97-5811	Pin, Rod End of Screw Jack	1
30	97-7252	Retaining Ring, External, 18 mm	2
31	97-5871	Lock Washer, 3/8	As Required
32	97-5584	Hex Nut, 3/8 - 16	7
33	97-5790	Grease Nipple, 1/8 NPT	1
34	97-5652	Flat Washer, 5/16	2
35	97-5739	Hex Nut, 5/16 - 18	2
36	97-5833	Flexible Shaft Assembly	1

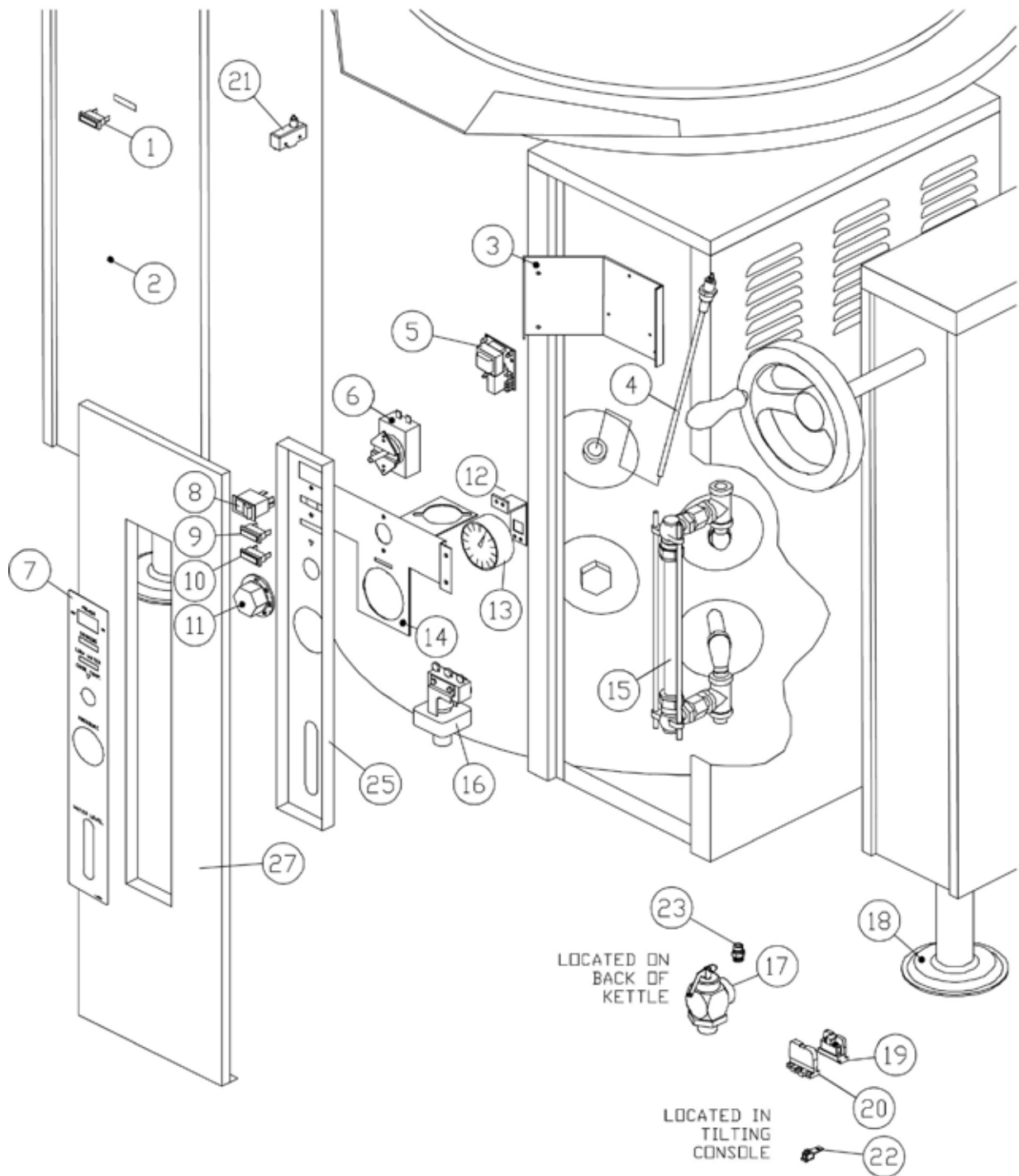
TILT CONSOLE AND PARTS

ITEM	PART NO.	DESCRIPTION	QTY
37	97-5819	Nylon Shaft Guide	2
38	97-5873	Set Screw, 1/4 - 28 x 3/8	1
39	97-5741	External Retaining Ring	1
40	97-5815	Key	2
41	97-6569	Sprocket	1
42	97-5812	Output Shaft	1
43	97-5816	Sprocket	1
44	97-5817	Chain	1
*45	97-7275	Single Faucet, 18", OPTIONAL	1
	97-7276	Double Faucet, 18", OPTIONAL	1
46	97-7277	Bushing, DU, 18d x 20D c 15L	4

* NOT SHOWN.

** SELECT AS REQUIRED.

KETTLE



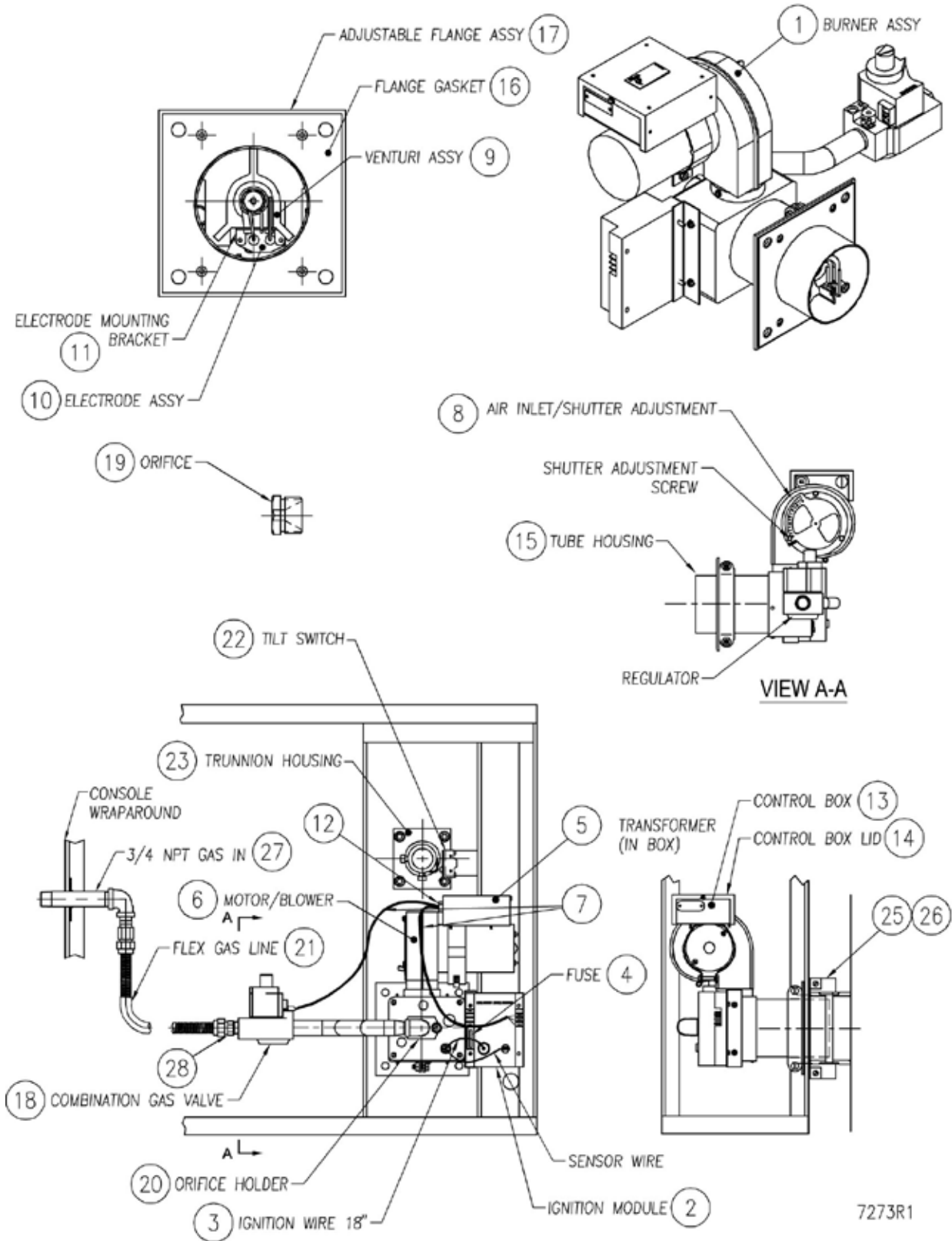
KETTLE

ITEM	PART NO.	DESCRIPTION	QTY
1	97-5725	Pilot Light - Green 24V	1
2	97-5423	Instruction Label	1
3	97-5424	Low Water Control Mounting Bracket	1
**4	97-5580	Probe, 9 1/4"	1
5	97-5426	Low Water Cut Off Control	1
6	97-5427	Thermostat	1
7	97-5357	Poly Panel	1
8	97-5429	Power Switch	1
9	97-5430	Pilot Light - Red	1
10	97-5431	Pilot Light - Amber	1
11	97-5559	Dial	1
12	97-5433	Pressure Gauge Bracket	1
13	97-5002	Pressure Gauge	1
**14	97-5434	Mounting Bracket	1
15	97-5436	Sight Glass Assembly	1
	97-7254	Glass, 5/8" x 8" Long	1
	97-7182	Rods	2
	97-7180	Washer - Rubber	2
	97-7181	Washer - Brass	2
16	97-5437	Pressure Switch	1
17	97-5997	Relief Valve	1
18	97-5032	Flanged Foot	2
19	10-6963	Terminal Block Section	2
20	10-6962	End Section	1
21	97-5414	Interlock Switch	1
22	97-5441	Ground Lug	1
23	97-415	Vent	1
**24*	97-5645	Combustion Chamber	1
25	97-7174	Recessed Control Panel	1
**26*	97-7264	Bottom Cover	1
**27	97-7269	Control Panel	1

* NOT SHOWN.

** SELECT AS REQUIRED.

INTERIOR COMPONENTS



7273R1

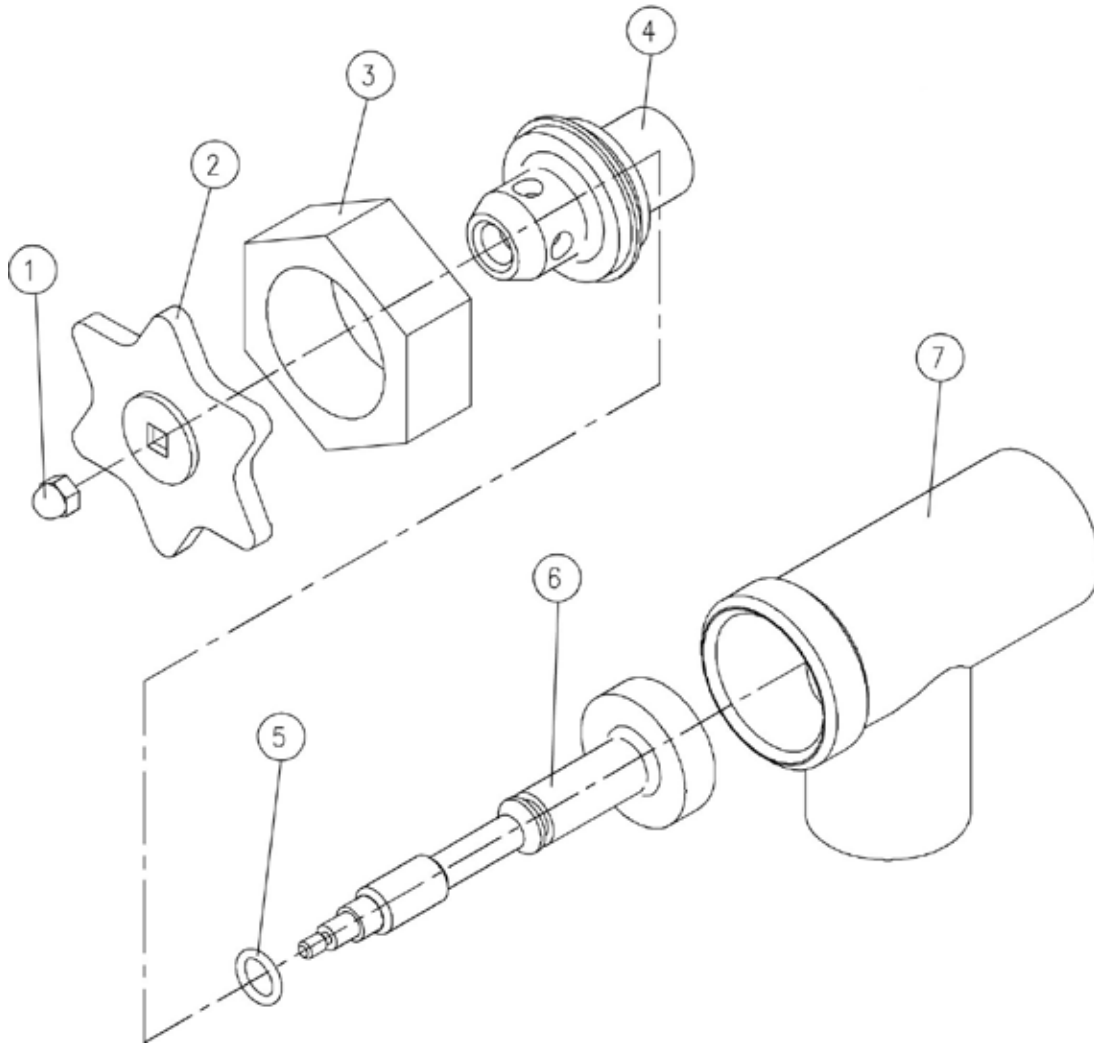
INTERIOR COMPONENTS

ITEM	PART NO.	DESCRIPTION	QTY.
**1	97-7282	Complete Burner Assembly, Natural Gas	1
	97-7283	Complete Burner Assembly, LP Gas	1
2	97-5311	DSI Module	1
3	97-7284	Ignition Wire, 18"	1
4	97-5476	Fuse, 250V, 3 Amp.	1
5	97-5313	Transformer, 120/24V, 50/60, 30 VA	1
6	97-7272	Motor/Blower, 115V/50/60 Hz	1
7	97-7286	Control/Ignition Module Wire Harness	1
8	97-7287	Air Shutter Assembly	1
9	97-7288	Venturi Assembly	1
10	97-6400	Electrode Assembly	1
11	97-7289	Electrode Mounting Bracket	1
12	97-7290	Adaptor Bushing, 7/8"	1
13	97-7291	Control Box with Strap	1
14	97-7292	Control Box Lid	1
15	97-7293	Tube/Housing, 6"	1
16	97-7294	Flange Gasket, 6-1/2" Square	1
17	97-7295	Adjustable Flange Assembly, 6-1/2" Square	1
18	97-7296	Gas Valve (Natural/L.P.), 3/4" x 3/4"	1
**19	97-7299	Orifice #7, Natural Gas	1
	97-6383	Orifice #23, L.P. Gas	1
20	97-7300	Orifice Holder	1
21	97-6252	Gas Flex Tube	1
22	97-7301	Interlock Switch, Tilt Switch	1
23	97-5712	Trunion Housing Assembly	1
**24*	97-7302	Console Cover, Kettles without Covers	1
	97-7303	Console Cover, Kettles with Covers	1
25	97-7304	Console Nozzle Assembly	1
26	97-7305	Nozzle Cover	1
27	97-7306	Gas Supply Pipe Assembly	1
28	97-6287	Reducer Bushing, 1/2 x 3/4	1
	97-7307	Hex Bushing, 1/2 x 3/4,	1
*29	97-5358	Transformer , 220-240/120V, 200VA 50/60 Hz, (Units rated 220-240V only)	1
**30*	97-6187	Fuse Holder (220-240V, 50 Hz Units)	1
	97-6187	Fuse Holder (240V, 60 Hz Units)	2
**31*	97-7274	Fuse, 2A, 600V (220-240V, 50 Hz Units)	1
	97-7274	Fuse, 2A, 600V (240V, 60 Hz Units)	2

* NOT SHOWN.

** SELECT AS REQUIRED.

DRAW OFF VALVE



1-1/2" DRAW-OFF VALVE ASSEMBLY

ITEM	PART NO.	DESCRIPTION	QTY
	97-5062	1-1/2" DRAW-OFF VALVE ASSEMBLY	
1	98-6155	Acorn Nut 10-24 UNC	1
2	97-5566	Handle, Stainless Steel	1
3	97-5068	Gland Nut	1
4	97-5074	Bonnet	1
5	97-5077	"O" Ring	1
6	97-5074	Stem Assembly	1
7	97-6496	Valve Body	1

DRAW OFF VALVE

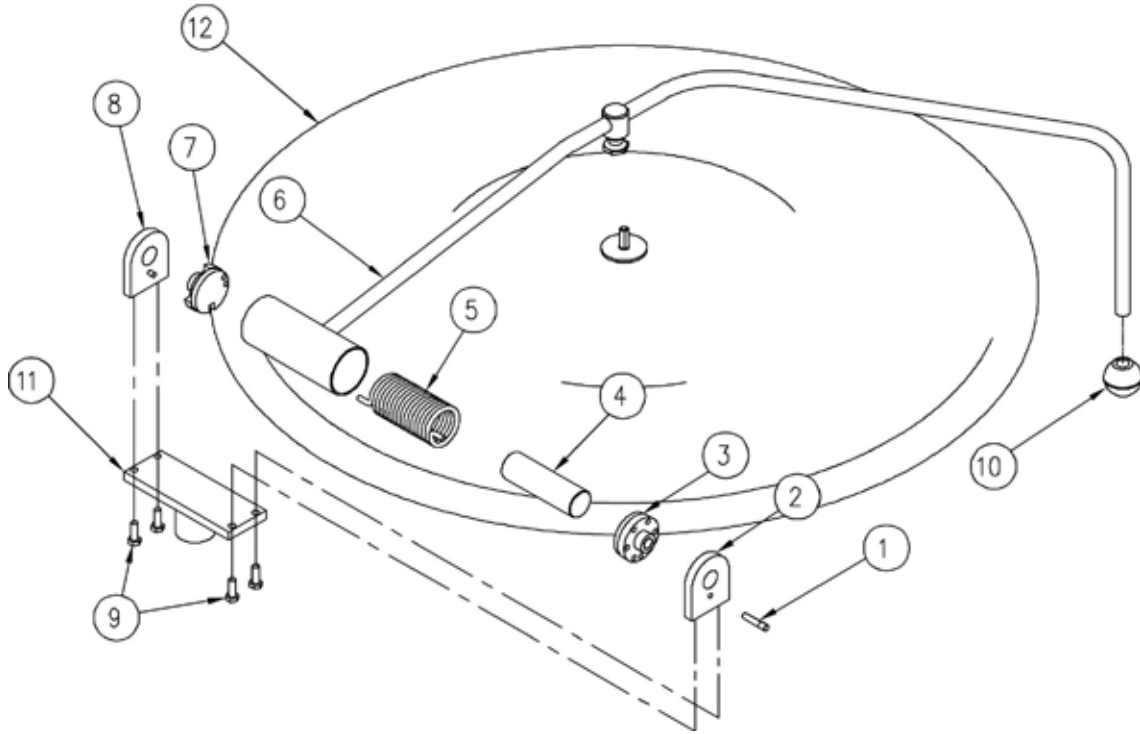
2" DRAW-OFF VALVE ASSEMBLY

ITEM	PART NO.	DESCRIPTION	QTY
	97-5063	2" DRAW-OFF VALVE ASSEMBLY	
1	98-6155	Acorn Nut 10-24 UNC	1
2	97-5566	Handle, Stainless Steel	1
3	97-5069	Gland Nut	1
4	97-5072	Bonnet	1
5	97-5078	"O" Ring	1
6	97-5074	Stem Assembly	1
7	97-6159	Valve Body	1

3" DRAW-OFF VALVE ASSEMBLY

ITEM	PART NO.	DESCRIPTION	QTY
	97-5605	3" DRAW-OFF VALVE ASSEMBLY	
1	98-6155	Acorn Nut, 7/16 - 14 UNC	1
2	97-5067	Handle, Stainless Steel	1
3	97-5070	Gland Nut	1
4	97-5073	Bonnet	1
5	97-5079	"O" Ring	1
6	97-5074	Stem Assembly	1
7	97-6497	Valve Body	1

SPRING ASSIST HINGE ASSEMBLY

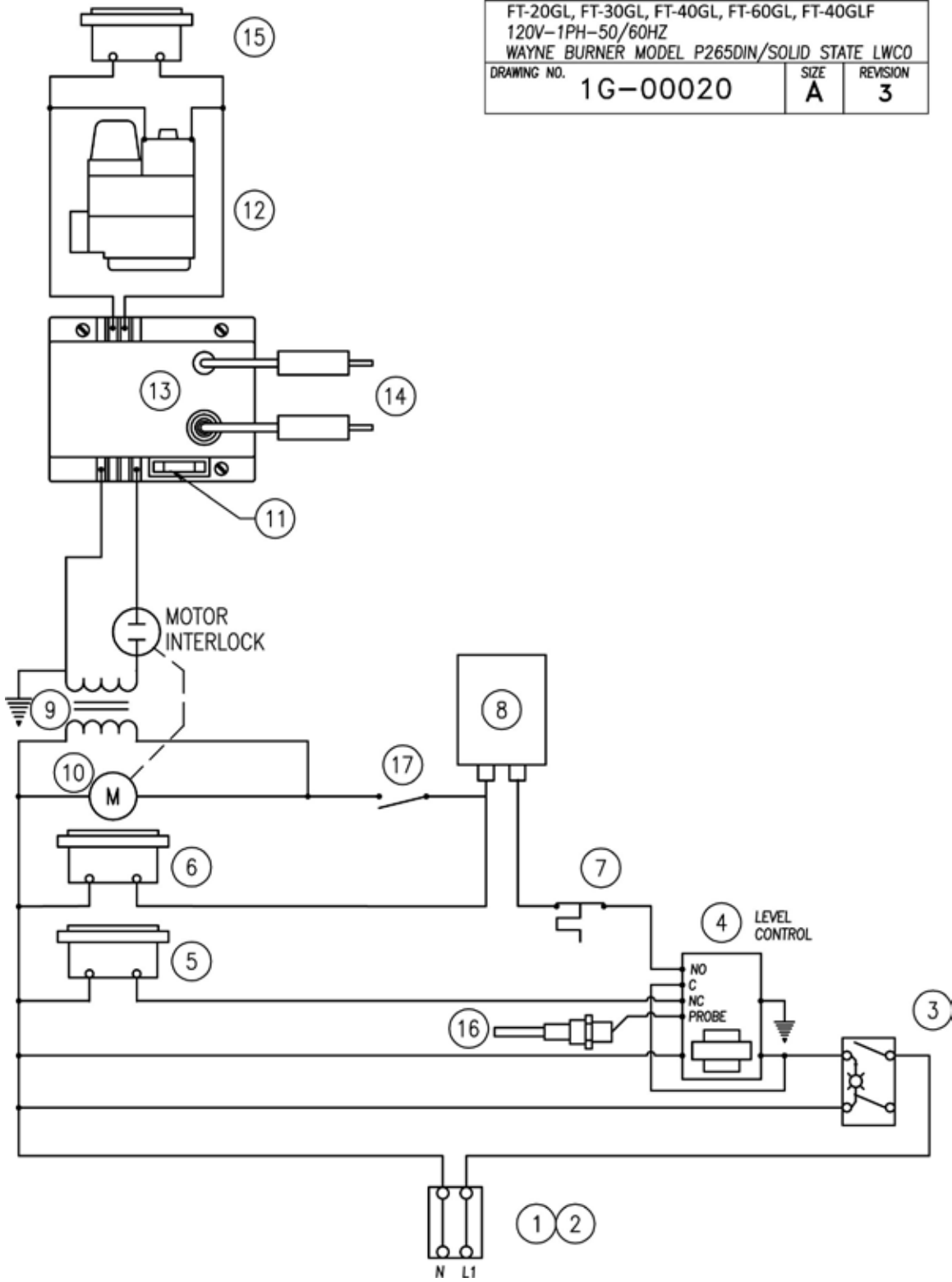


ITEM	PART NO.	DESCRIPTION	QTY
	97-5530	HINGE ASSEMBLY	1
1	97-5352	Lock Pin	1
2	97-5343	End Lock Plate	1
3	97-5344	Stationary Disc	1
4	97-5698	Core	1
5	97-5699	Spring	1
**6	97-7270	Handle Assembly	1
7	97-5347	Rotary Disc	1
8	97-5348	End Stop Plate	1
9	97-5349	Cap Screws, 1/4-20 X 3/4	4
10	97-5337	Knob	1
**11	97-6393	Hinge Support Riser	1
**12	97-5053	Cover,	1

** SELECT AS REQUIRED.

WIRING - 120V, 1 PHASE

FT-20GL, FT-30GL, FT-40GL, FT-60GL, FT-40GLF		
120V-1PH-50/60HZ		
WAYNE BURNER MODEL P265DIN/SOLID STATE LWCO		
DRAWING NO.	SIZE	REVISION
1G-00020	A	3

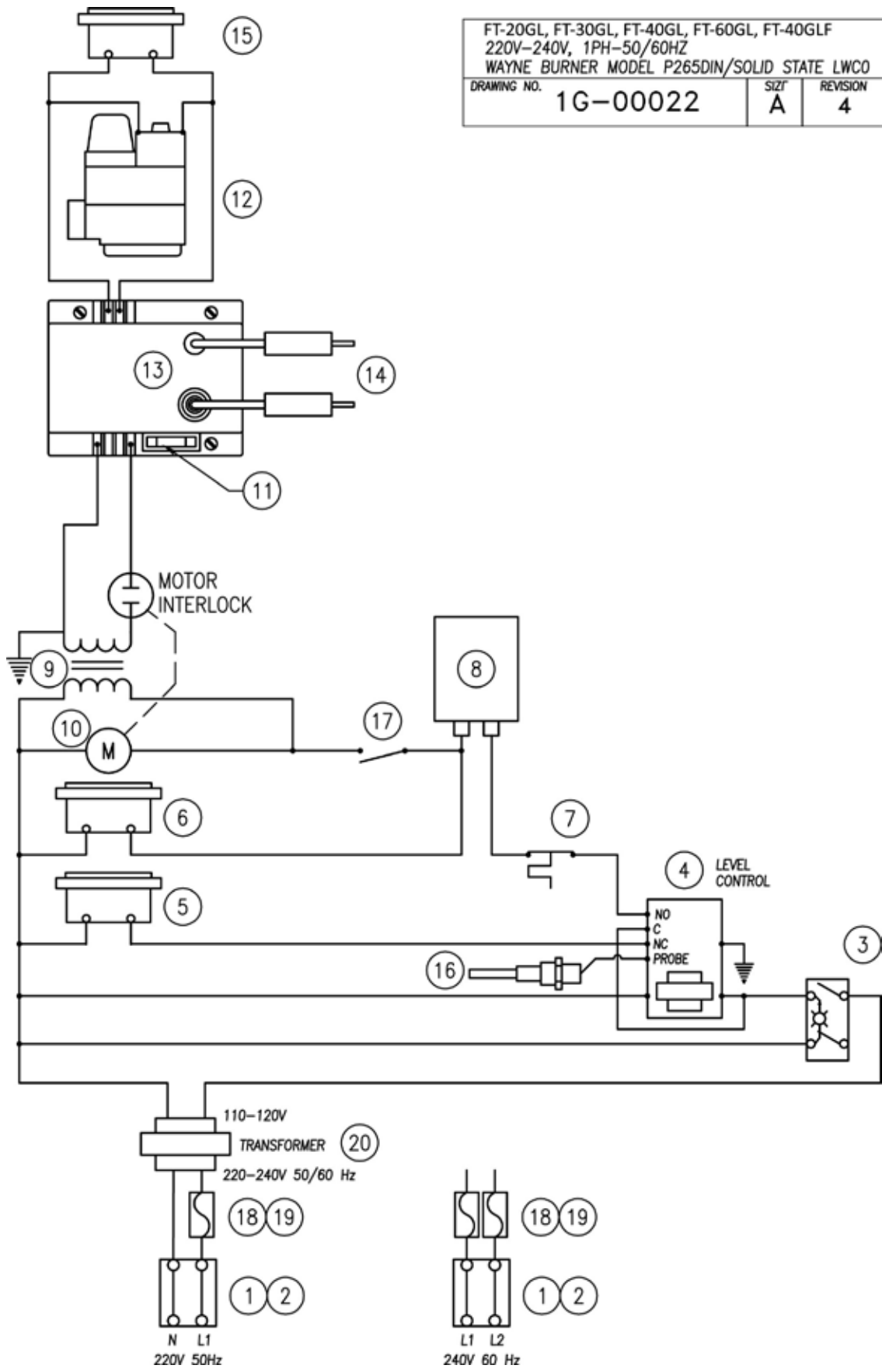


WIRING - 120V, 1 PHASE

ITEM	PART NO.	DESCRIPTION	QTY
1	10-6962	TERMINAL BLOCK END SECTION	1
2	10-6963	TERMINAL BLOCK SECTION	2
3	97-5429	POWER SWITCH	1
4	97-6656	LEVEL CONTROL	1
5	97-5710	PILOT LIGHT, LOW WATER, AMBER	1
6	97-5709	PILOT LIGHT, COOKING, RED	1
7	97-5437	PRESSURE SWITCH	1
8	97-5427	THERMOSTAT	1
9	97-5313	TRANSFORMER, 120/24 30VA	1
10	97-7272	BLOWER MOTOR WITH INTERLOCK	1
11	97-5475	FUSE, 3 AMP, 250V BUSS	1
12	97-7208	GAS COMBINATION VALVE	1
13	97-5311	DSI MODULE	1
14	--	ELECTRODE ASSEMBLY	1
15	97-5422	PILOT LIGHT, IGNITION	1
16	97-5554	LEVEL PROBE	1
17	97-5414	TILT SWITCH	1

WIRING - 220-240V, 1 PHASE

FT-20GL, FT-30GL, FT-40GL, FT-60GL, FT-40GLF		
220V-240V, 1PH-50/60HZ		
WAYNE BURNER MODEL P265DIN/SOLID STATE LWCO		
DRAWING NO.	SIZE	REVISION
1G-00022	A	4



WIRING - 120V, 1 PHASE

ITEM	PART NO.	DESCRIPTION	QTY
1	10-6962	TERMINAL BLOCK END SECTION	1
2	10-6963	TERMINAL BLOCK SECTION	2
3	97-5429	POWER SWITCH	1
4	97-5565	LEVEL CONTROL	1
5	97-5710	PILOT LIGHT, LOW WATER, AMBER	1
6	97-5709	PILOT LIGHT, COOKING, RED	1
7	97-5437	PRESSURE SWITCH	1
8	97-5427	THERMOSTAT	1
9	97-5313	TRANSFORMER, 120/24 30VA	1
10	97-7272	BLOWER MOTOR WITH INTERLOCK	1
11	97-5475	FUSE, 3 AMP, 250V BUSS	1
12	97-7208	GAS COMBINATION VALVE	1
13	97-5311	DSI MODULE	1
14	--	ELECTRODE ASSEMBLY	1
15	97-5422	PILOT LIGHT, IGNITION	1
16	97-5554	LEVEL PROBE	1
17	97-5414	TILT SWITCH	1
18	97-7274	FUSE, 2 AMP. 600V	1*
19	97-5359	FUSE HOLDER	1*
20	97-5358	TRANSFORMER, 240/120 200VA	1

* FOR 240V-60Hz USE 2 FUSES AND 2 FUSE HOLDERS.