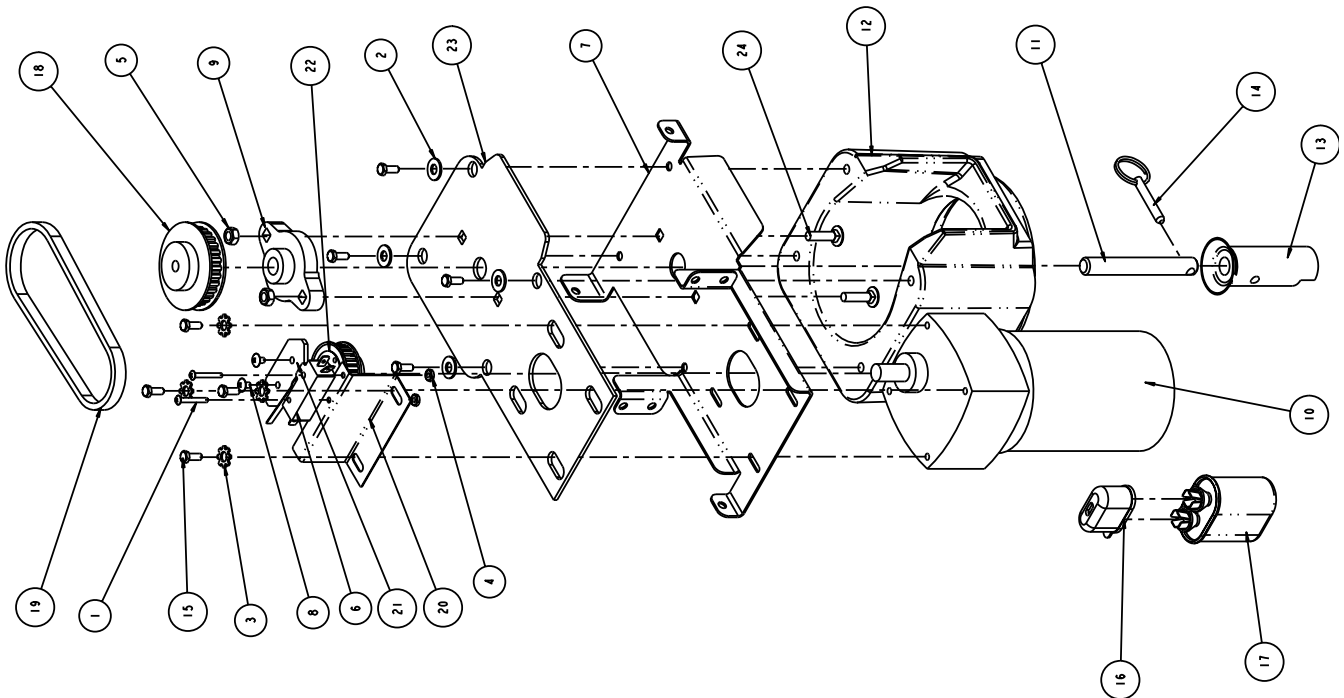


EXPLODED VIEWS

120V DRIVE AUGER

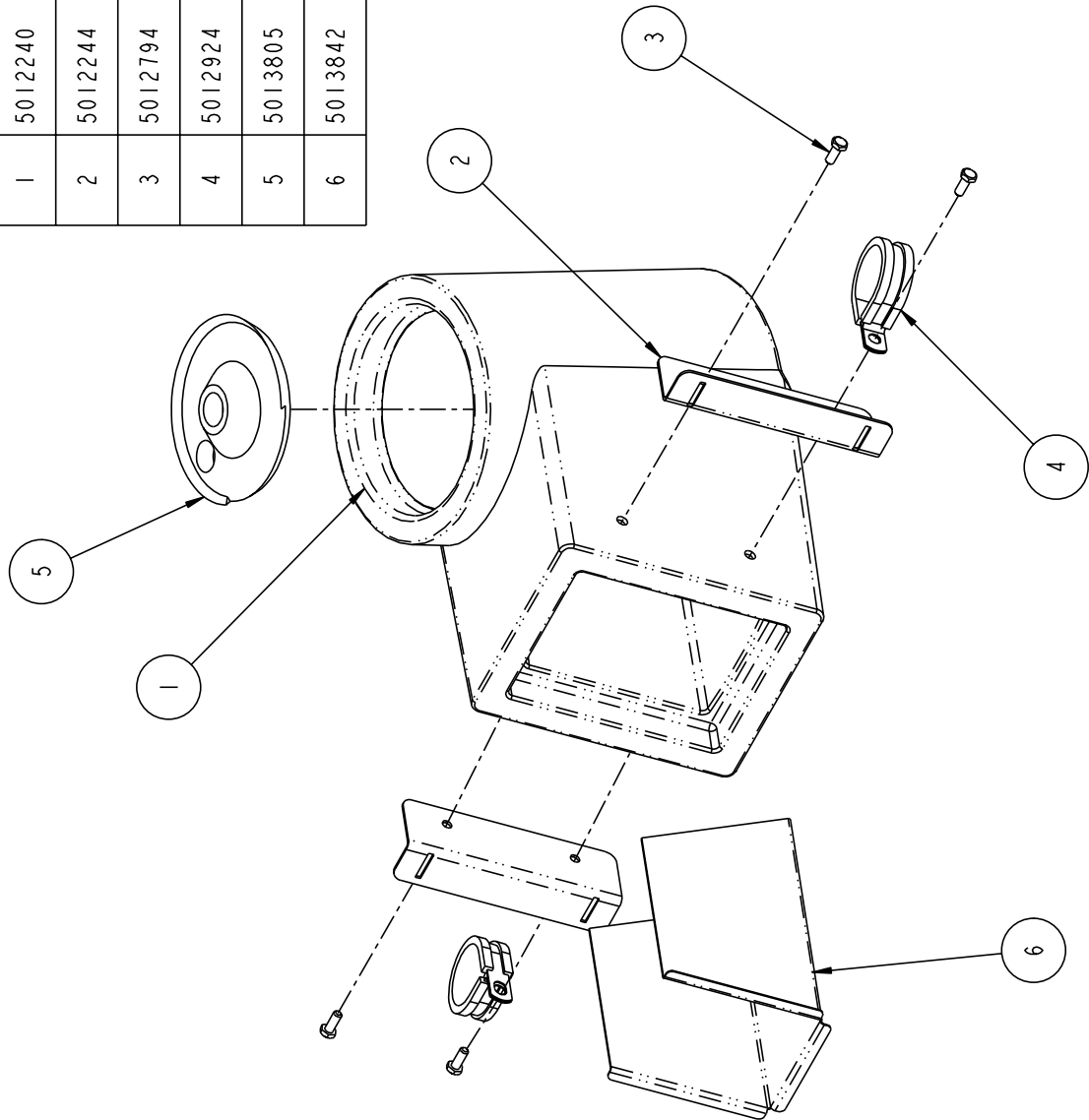
BILL OF MATERIAL for 5012308			
No.	Part Number	Description	Qty.
1	0900901	SCR 6-32 X 1" SS PH RHMS	2
2	0901805	WASHER 1/4" FLAT SS	4
3	0901901	WASHER LOCK #10 STAR EXT	4
4	0902101	NUT 1/4"-20 SS HEX	2
5	0902105	NUT 1/4"-20 SS HEX	2
6	1000703	MICROSWITCH	1
7	5012027	BRKT AUGER MOTOR	1
8	5012081	SCREW 8-32 X 1/4" PH PS	2
9	5012093	STAMPED BALL BEARING	1
10	5012094	MOTOR AUGER	1
11	5012212	ROD AUGER DRIVE	1
12	5012239-2	TRANSITION AUGER TOP	1
13	5012252	COUPLING AUGER ROD	1
14	5012303	PIN HITCH 1/4 DIA X 1 1/4	1
15	5012794	SCR 10-32 X 1/2 HEX MACH	8
16	5012795	CAP TERM	1
17	5012796	CAPAC 370VAC 5MFD RUN	1
18	5012798	30 TOOTH DELRIN PULLEY	1
19	5012799	BELT PULLEY	1
20	5013590	BRACKET REVERSE SWITCH	1
21	5013591	CAM REVERSE ACTUATOR	1
22	5013616	22 TOOTH DELRIN PULLEY	1
23	5013706	INSUL TOP TRANSITION	1
24	5013793	BOLT 1/4"-20 X 1" CARRIAGE	2



TRANSITION AUGER

BILL OF MATERIAL for 5012309

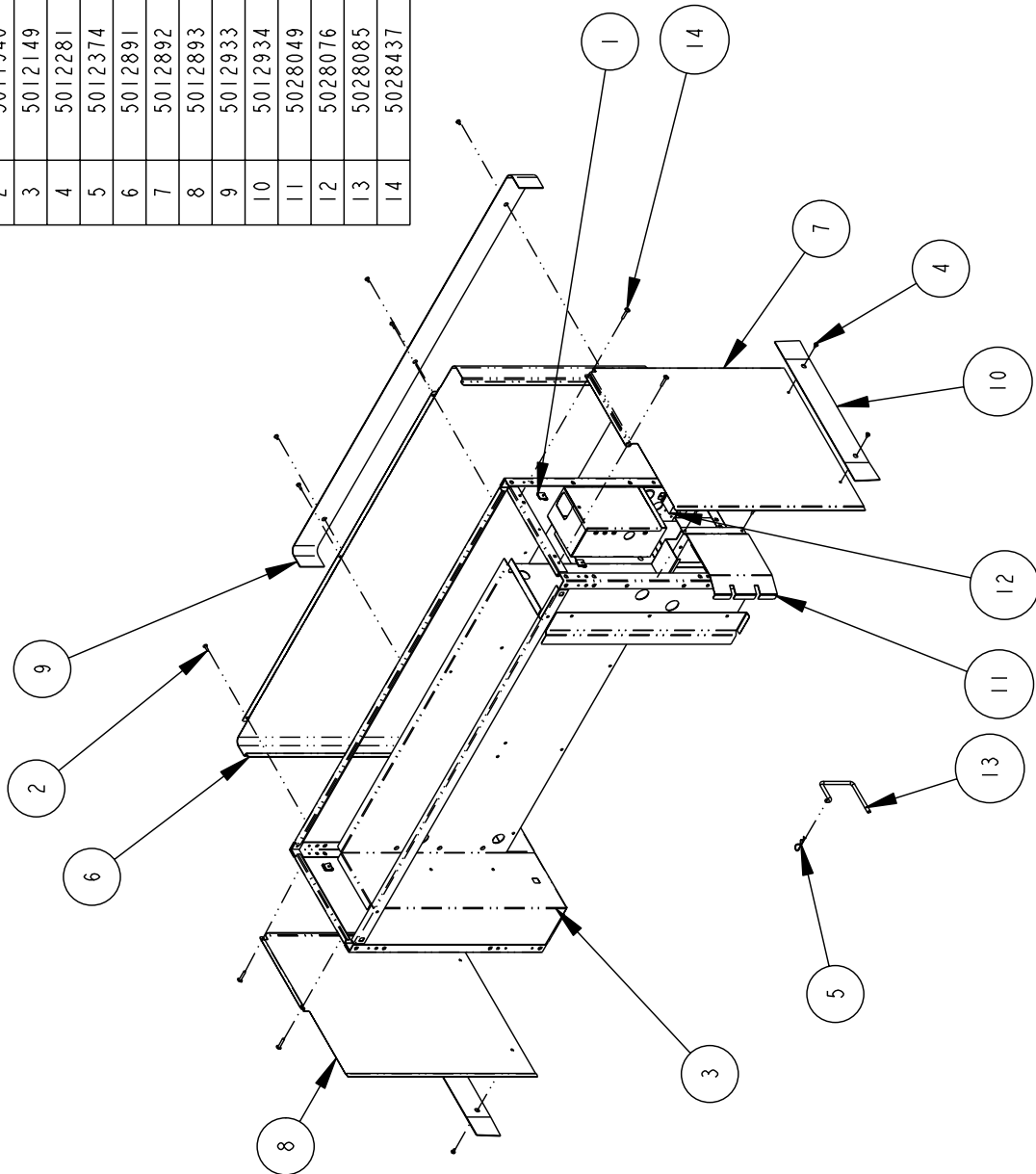
No.	Part Number	Description	Qty.
1	5012240	TRANSITION AUGER TUBE	1
2	5012244	BRKT TRANSITION	2
3	5012794	SCR 10-32 X 1/2 HEX MACH	4
4	5012924	CLAMP 1.5" RUBBER CUSHIONED	2
5	5013805	BEARING BOTTOM TRANSITION	1
6	5013842	INSERT BOTTOM TRANSITION	1



120V CUBER

SERVEND INTERNATIONAL INC.

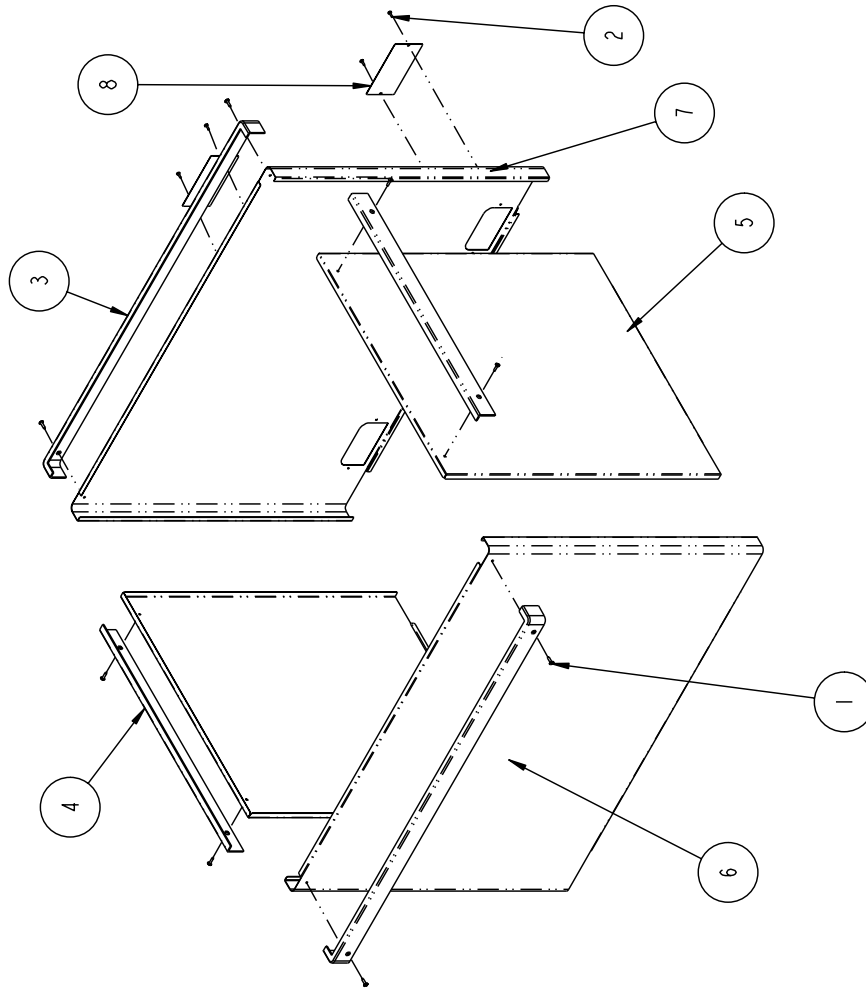
BILL OF MATERIAL for 5012311_			
No.	Part Number	Description	Qty.
1	0900240	CLIP TINN C19172874	4
2	5011940	SCREW 8-32 X 1/2	6
3	5012149	SUI024YC 115/60/1	1
4	5012281	SCREW 8-32 X 1/4 ES FORM	7
5	5012374	COMPRESSOR PIN	1
6	5012891	WRAP BACK	1
7	5012892	WRAP RIGHT	1
8	5012893	WRAP LEFT	1
9	5012933	TRIM EVAPORATOR WRAP BACK	1
10	5012934	TRIM EVAPORATOR WRAP SIDE	2
11	5028049	BRACE SPLASH PANEL	1
12	5028076	THERMOSTAT	1
13	5028085	PIN THERMOSTAT	1
14	5028437	SCR #8X3/4"PH TR HD A BLK	4



CUBER 120V
5012311_
0

CABINET

SERVEND INTERNATIONAL INC.



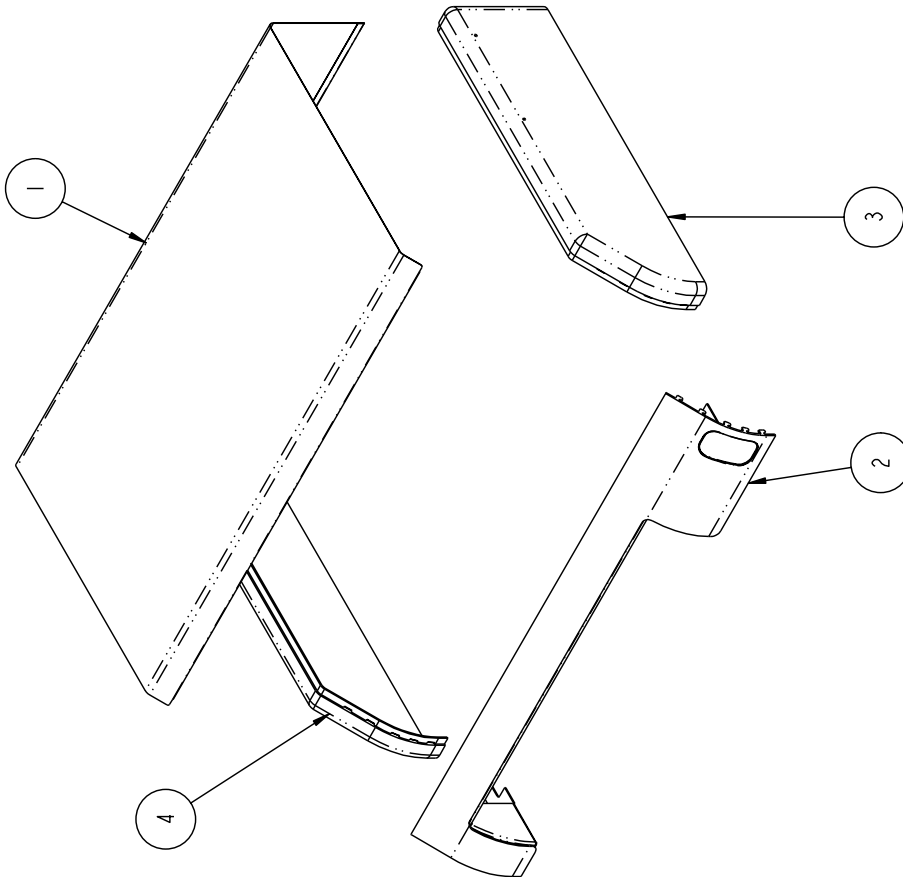
BILL OF MATERIAL for 5012312

No.	Part No.	Description	Qty.
1	5007697	SCR #8X3/4"PH TR HD A BLK	8
2	5011940	SCREW 8-32 X 1/2	4
3	5012216	PANEL TRIM FRONT/BACK	2
4	5012217	PANEL TRIM SIDE	2
5	5012232	PANEL LEFT/RIGHT	2
6	5012233	PANEL FRONT	1
7	5012828	PANEL REAR	1
8	5012829	PLATE COVER REAR PANEL	2

CABINET
5012312
0

TOP COVER

SERVEND INTERNATIONAL INC.



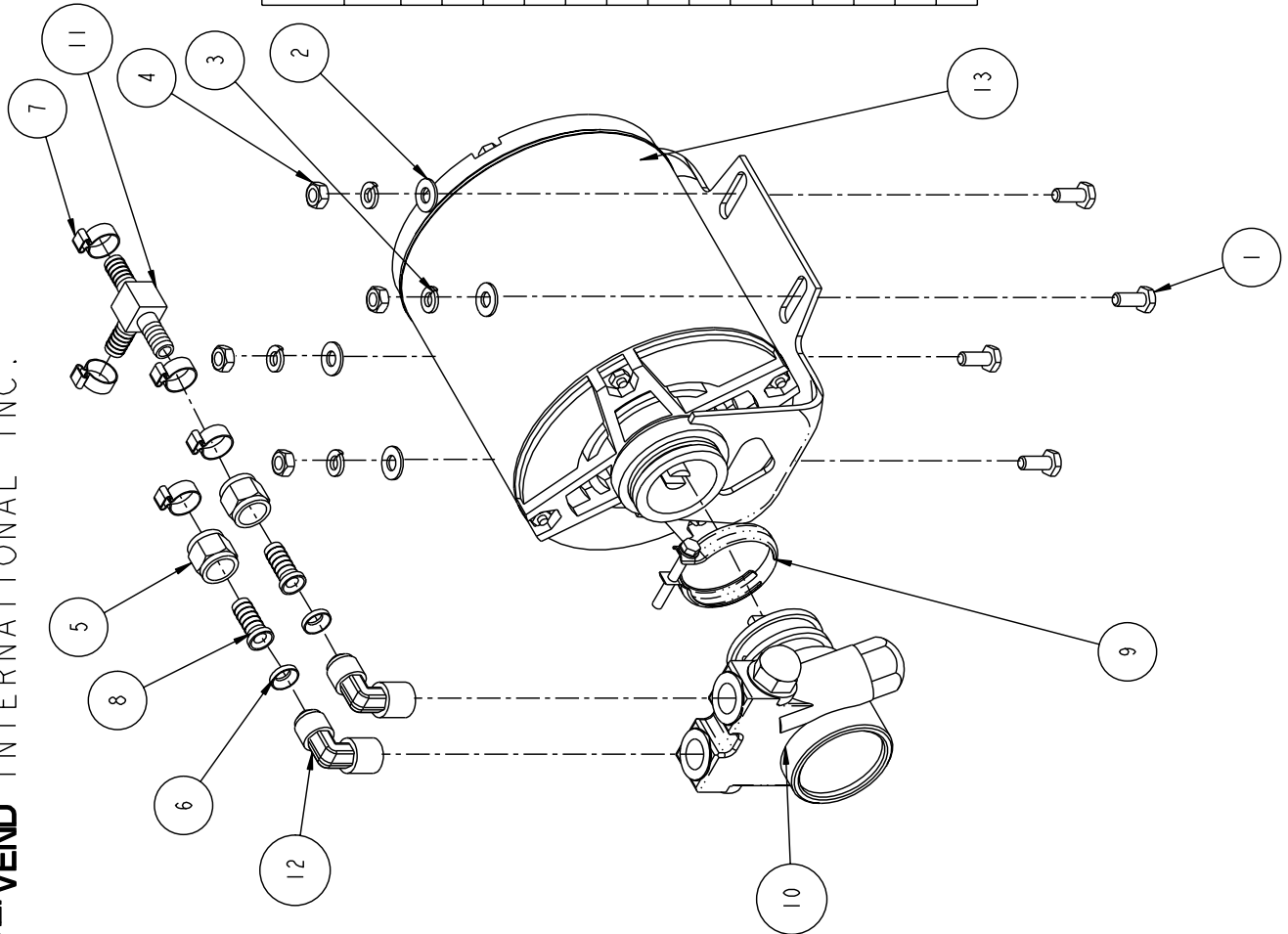
BILL OF MATERIAL for 5012313

No.	Part No.	Description	Qty.
1	5012223	COVER SS COSMETIC TOWER	1
2	5014073	COVER SUPPORTED VALVE	1
3	5028062	CAP TOWER RIGHT END	1
4	5028063	CAP TOWER LEFT END	1

COVER TOP
5012313
0

120V CARB PUMP

SERVEND INTERNATIONAL INC.

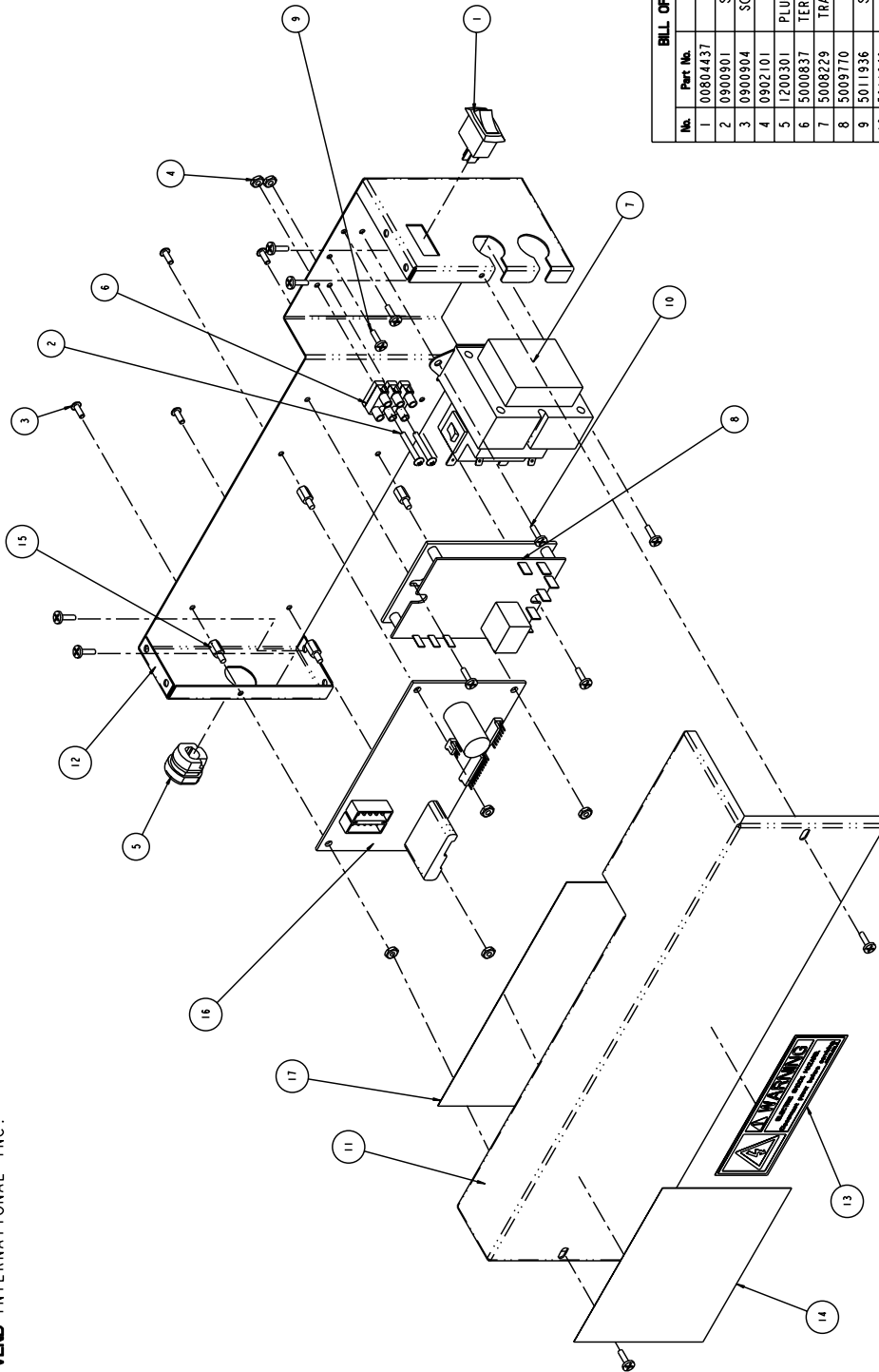


BILL OF MATERIAL for 5012316			
No.	Part Number	Description	Qty.
1	0900601	BOLT 1/4-20X5/8" SS HHCS	4
2	0901805	WASHER 1/4" FLAT SS	4
3	0901904	1/4 LOCK WASHER	4
4	0902105	NUT 1/4"-20 SS HEX	4
5	1701110	NUT 3/8"X9/16" SWIVEL FITTING	2
6	1701115	WASHER 3/8" BLK NYLON	2
7	5000395	CLAMP OTR 39/64" 15.7-706R	5
8	5009025	FITTING SWIVEL 3/8" BARB	2
9	5009036	CLAMP PUMP CARB	1
10	5009613	PUMP HEAD CARB 125 GPH	1
11	5009851	TEE 3/8 BARB	1
12	5009983	FITTING 3/8X3/8 NPT ELBOW	2
13	5010426	MOTOR CARB PUMP 115V	1
14	5012316	PUMP CARB 120V	1

PUMP CARB 120V
5012316
0

120/60 ELEC

SERVEND INTERNATIONAL INC.



BILL OF MATERIAL for 502318

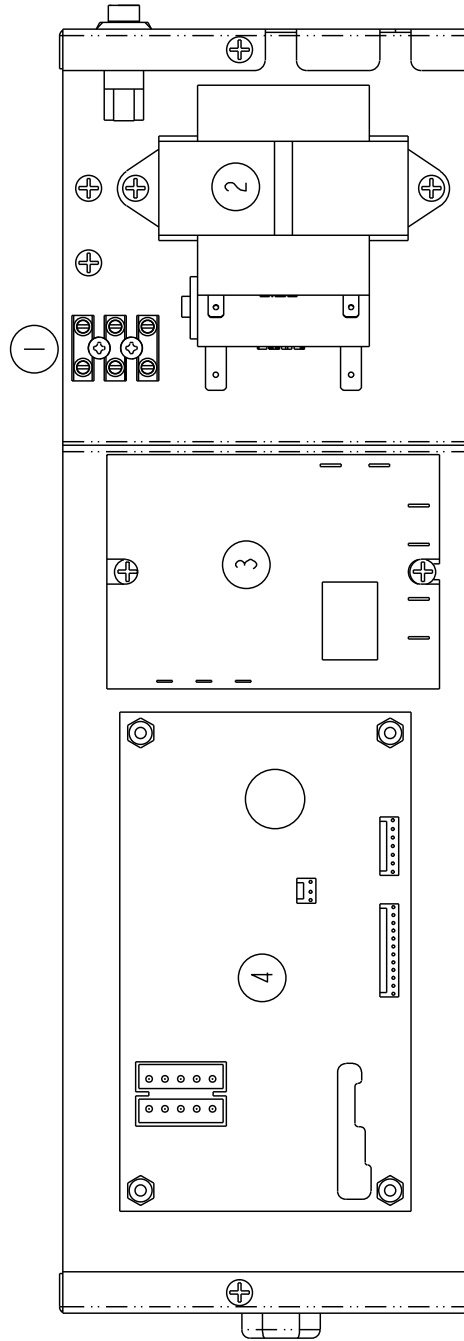
No.	Part No.	Description	Qty.
1	00804437	SW ROCKER	1
2	0900901	SCR 6-32 X 1" SS PH RHMS	2
3	0900904	SCREW 6-32X3/8" SS PH RHMS	4
4	0902101	NUT 1/4"-20 SS HEX	6
5	1200301	PLUG-HEXCO CORD STRAIN RELIEF	1
6	5000837	TERMINAL BLOCK EUROPEAN STYLE	1
7	5008229	TRANSFORMER 75VA 120V W/BRKR	1
8	5009770	BOARD LL CTRL 120/60	1
9	5011936	SCR 8-32 X 1/2 GRND ZINC	2
10	5011940	SCREW 8-32 X 1/2	10
11	5012428	Cover Elec Box	1
12	5012429	BOX ELECT	1
13	5012610	LABEL WARNING	1
14	5012727	LABEL PLUMB ANG	1
15	5012832	STANDOFF CIRCUIT BOARD	4
16	5013179	BOARD CTRL	1
17	5013604	LABEL WIRING 120V	1

ELEC 120/60
5012318
0 SHEET 1 OF 2

ELECTRICAL BOX LAYOUT

BILL OF MATERIAL for 5012318

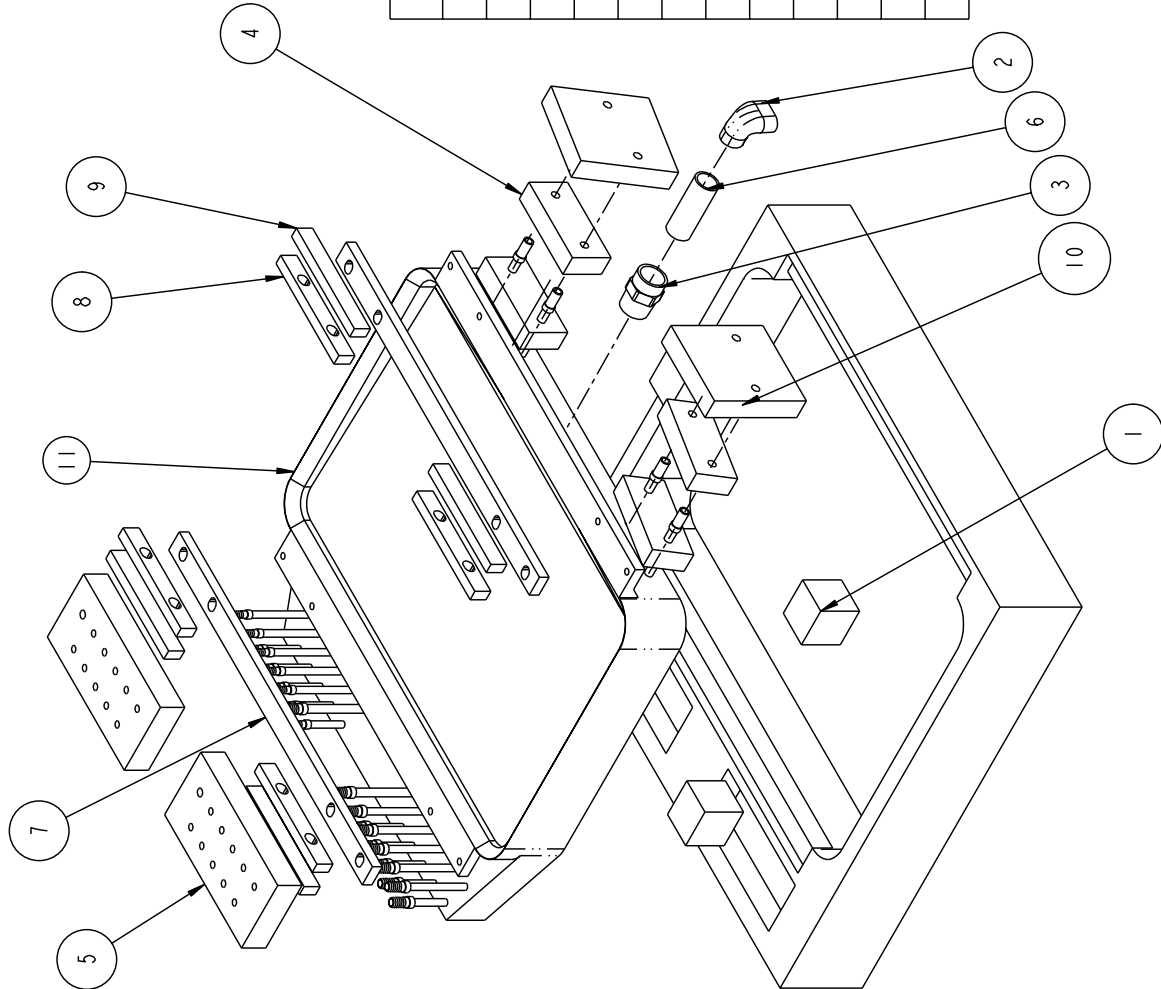
No.	Part Number	Description	Qty.
1	5000837	TERMINAL BLOCK EUROPEAN STYLE	1
2	5008229	TRANSFORMER 75VA 120V W/BRKR	1
3	5009770	BOARD LL CTRL 120/60	1
4	5013179	BOARD CTRL	1



ELECTRICAL BOX LAYOUT
5012318
0 SHEET 2 OF 2

COLDPLATE

SERVEND INTERNATIONAL INC.



BILL OF MATERIAL for 5012320

No.	Part No.	Description	Qty.
1	5002367	BLOCK FOAM BACK	4
2	5010337	ELBOW 90 DEGREE RUBBER	1
3	5012456	ADAPTER 1" MALE CPVC	1
4	5012559	GASKET FOAM RECIRCULATION CLDPL	4
5	5012560	GASKET FOAM INCOMING LINE	2
6	5012809	TUBE COLDPLATE DRAIN	1
7	5012888	GASKET COLD PLATE BOTTOM	2
8	5012890	GASKET COLD PLATE SIDE	4
9	5012952	GASKET COLD PLATE BRACKET	4
10	5013267	GASKET RECIRC COLD PLATE LEFT	2
11	5012096	COLDPLATE	1

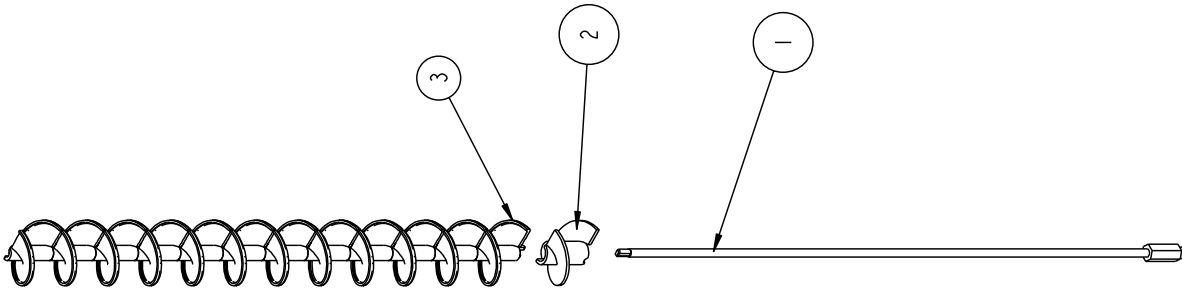
COLDPLATE
5012320
0

AUGER

SERVEND INTERNATIONAL INC.

BILL OF MATERIAL for 5012321

No.	Part Number	Description	Qty.
1	5012211	ROD AUGER	1
2	5013690	FLIGHT AUGER BOTTOM	1
3	5012092	FLIGHT AUGER	12

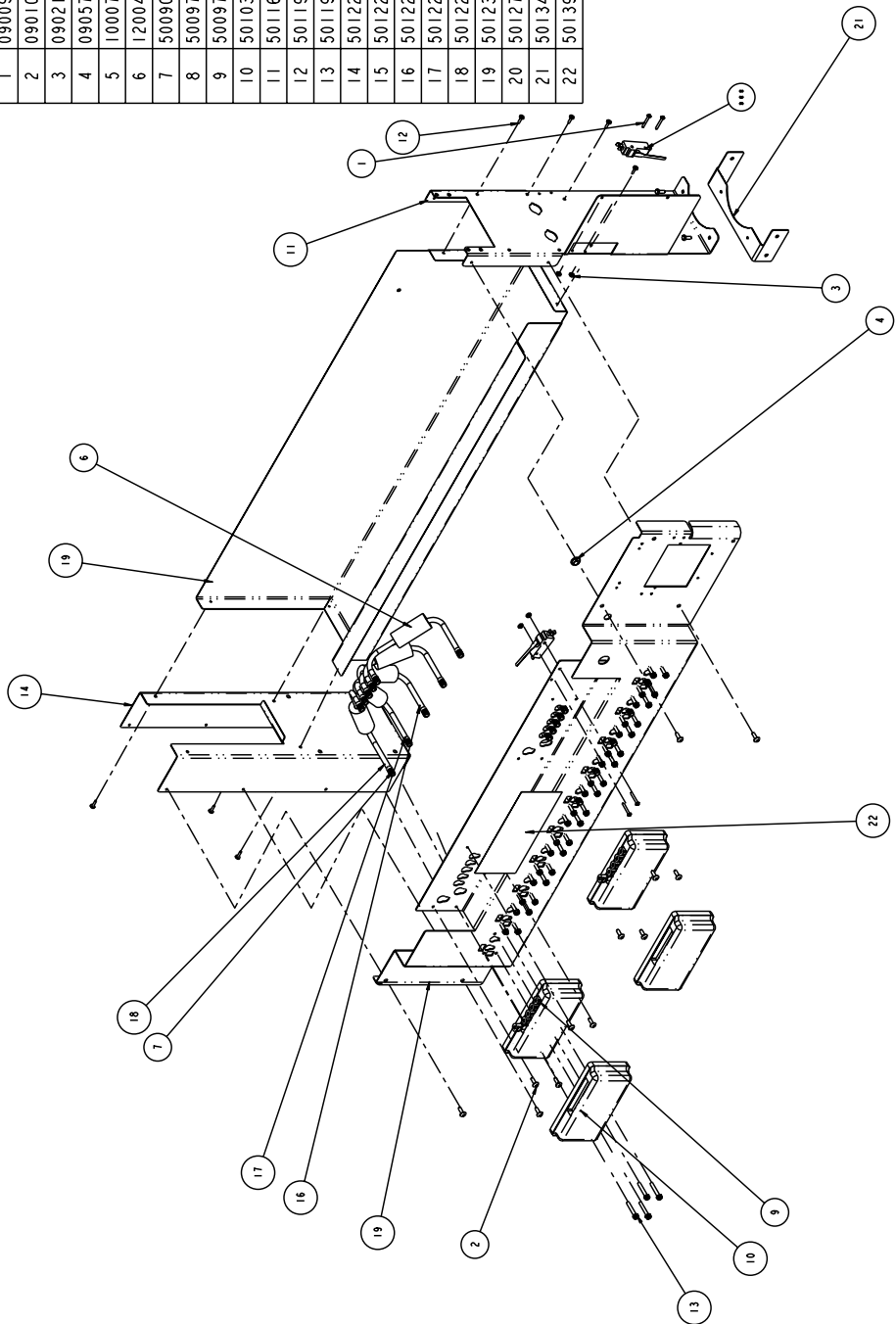


AUGER
5012321
0

VALVE CAP MOUNT

BILL OF MATERIAL for 5012322

No.	Part No.	Description	Qty.
1	0900901	SCR 6-32 X 1" SS PH RHMS	4
2	0901014	10-32 X 5/8 screw	12
3	0902101	NUT 1/4"-20 SS HEX	4
4	0905702	GROMMET 3/8" VINYL	1
5	1000703	MICROSWITCH	2
6	1200417	INSUL 1 1/8 X 3/8 X 6' PIPE A	10
7	5009080	O-RING	40
8	5009777	SCR 6-19X5/16 SS PAN HL	4
9	5009780	5 PORT MANIFOLD ASSEMBLY	2
10	5010332	GASKET MANIFOLD	4
11	5011677	BRKT VLV MNT CAP	1
12	5011940	SCREW 8-32 X 1/2	7
13	5011953	SCREW 10-24 X 1-1/4	40
14	5012219	BRACKET VALVE MOUNT CAP/STRUP	1
15	5012220	ENCLOSURE NSF	1
16	5012241	LINE MANIFOLD WTR SHORT	2
17	5012242	LINE MANIFOLD WTR MIDDLE	4
18	5012243	LINE MANIFOLD WTR LONG	4
19	5012333	CAP VLV MNT 10V OFFSET	1
20	5012794	SCR 10-32 X 1/2 HEX WACH	2
21	5013480	BRKT, VLV MNT CAP MOUNTING	1
22	5013990	LABEL MANIFOLD 10 VALVE	1



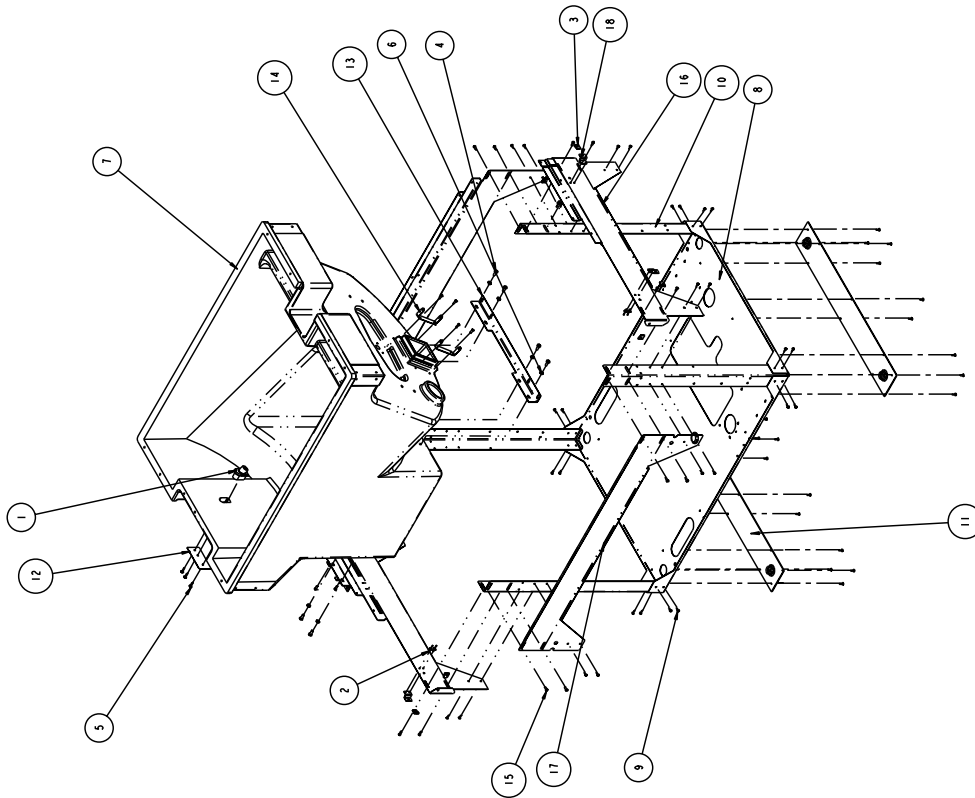
SERVEND INTERNATIONAL INC.

CAP VALVE MOUNT 10 VALVE
5012322
0

BIN

BILL OF MATERIAL for 5012323

No.	Part Number	Description	Qty.
1	0101702	BSHG MUSHROOM INJ MLD	1
2	0900113	POP RVT #44 LG FL SS	8
3	0900240	CLIP TINN C191728Z4	8
4	0900601	BOLT 1/4-20X5/8" SS HHCS	8
5	0901007	SCR #8X3/4" SS PH TR HD A	3
6	0901904	1/4 LOCK WASHER	8
7	5010147	BIN STORAGE	1
8	5011769	PLATE BIN	1
9	5011940	SCREW 8-32 X 1/2	51
10	5012049	BRACKET VERTICAL SUPPORT	4
11	5012214	PLATE LEG	2
12	5012218	PLATE MUSHROOM BSHG MNT	1
13	5012231	BRKT COLDPLATE MOUNTING	2
14	5012245	BRKT BIN TO TRANSITION	2
15	5012794	SCR 10-32 X 1/2 HEX MACH	20
16	5013818	BRACE SIDE	1
17	5013819	BRACE FRONT	1
18	5013991	BRKT PANEL	4
19	5027807	BRACE FRONT	1
20	5027809	BRACE SIDE	1

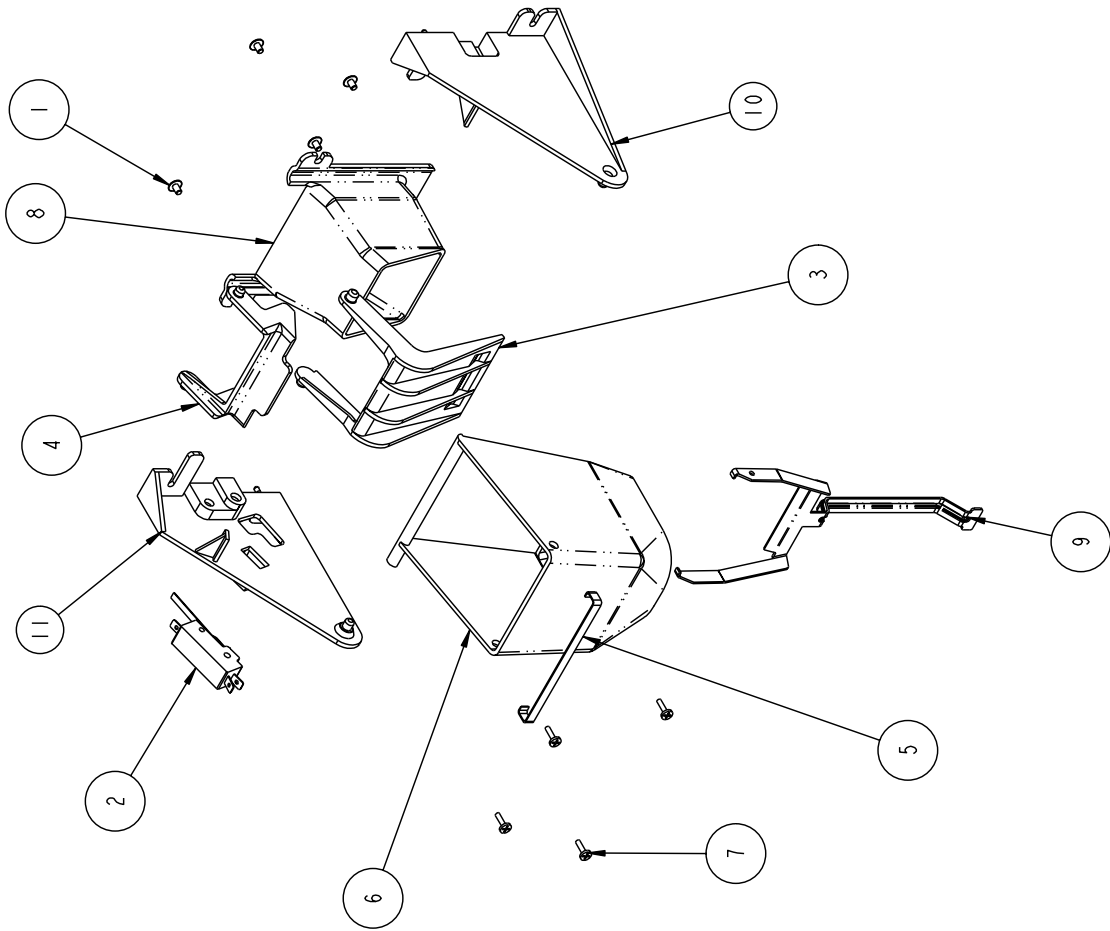


BIN
5012323
0

SERVEND INTERNATIONAL INC.

ROCKING CHUTE

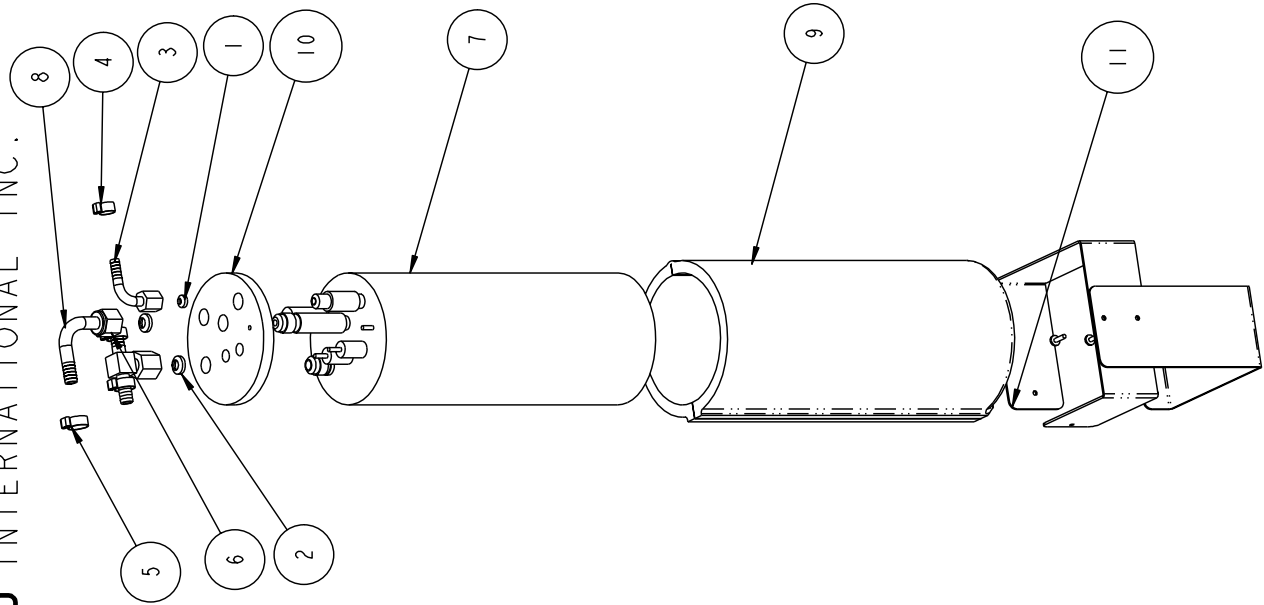
SERVEND INTERNATIONAL INC.



BILL OF MATERIAL for 5012326			
No.	Part Number	Description	Qty.
1	0901018	SCR 8-32 X 1/2" ES FORM	4
2	1000703	MICROSWITCH	1
3	5002508	DOOR ROCKING CHUTE	1
4	5002509	LOCK ROCKING CHUTE DOOR	1
5	5003963	BRACKET ROCKING CHUTE OUTER	1
6	5007355	CHUTE ROCKING	1
7	5011940	SCREW 8-32 X 1/2	4
8	5012235-1	CHUTE VACUUM FORMED	1
9	5013605	UC SANITARY LEVER	1
10	5002657	MNT RC DOOR RT	1
11	5002507	MNT RC DOOR LFT	1

CHUTE ROCKING
5012326
0

CARBONATOR TANK ASSEMBLY



BILL OF MATERIAL for 5012327

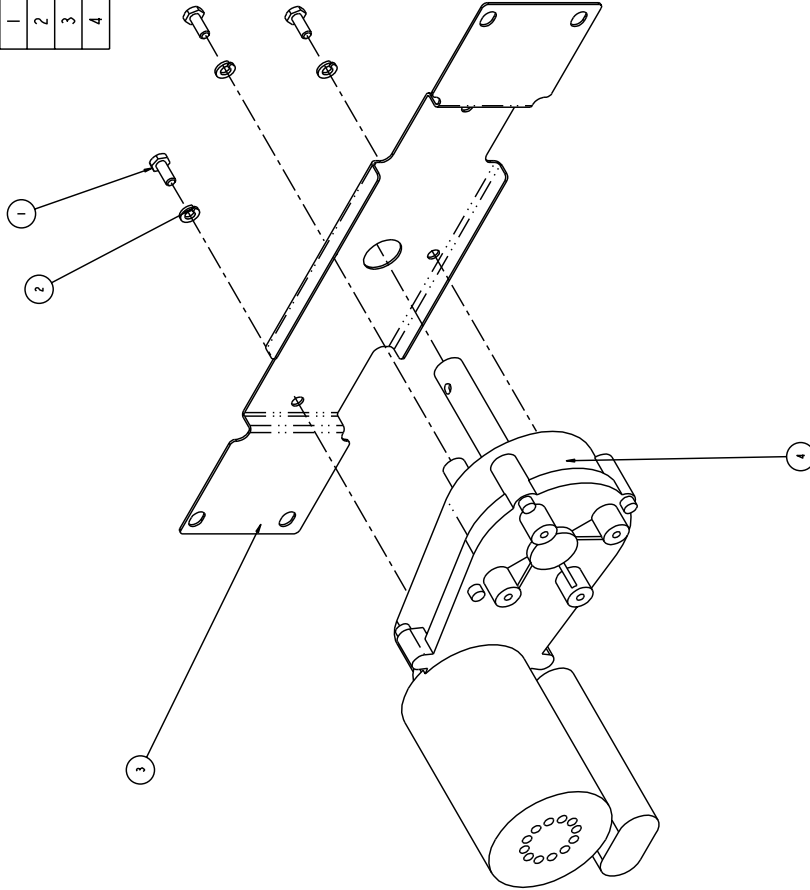
No.	Part Number	Description	Qty.
1	1701113	WASHER 3/8" BLK NYLON	1
2	1701115	WASHER 3/8" BLK NYLON	2
3	1701150	NUT 1/4X3/8 90 D SWVL W/E	1
4	1701301	CLAMP OTR 1/2" 13.3-706R	1
5	5000395	CLAMP OTR 39/64" 15.7-706R	3
6	5010143	FITTING SWVL 3/8 BARB TEE	1
7	5010446	TANK CARB VERT 4"X10"	1
8	5010781	FITTING 3/8 BARB SW/ELBOW	1
9	5011894	INSUL CARB TANK WRAP	1
10	5011895	INSUL CARB TANK TOP	1
11	5012226	BRKT CARB TANK MNTG	1

TANK CARBONATOR ASSY
 5012327
 0

MOTOR MOUNT

BILL OF MATERIAL for 502328

No.	Part Number	Description	Qty.
1	0900601	BOLT 1/4-20X5/8" SS HHCS	3
2	0901904	1/4 LOCK WASHER	3
3	5012221	BRKT AGIT MOTOR	1
4	5012971	MOTOR REVERSED 120/60	1



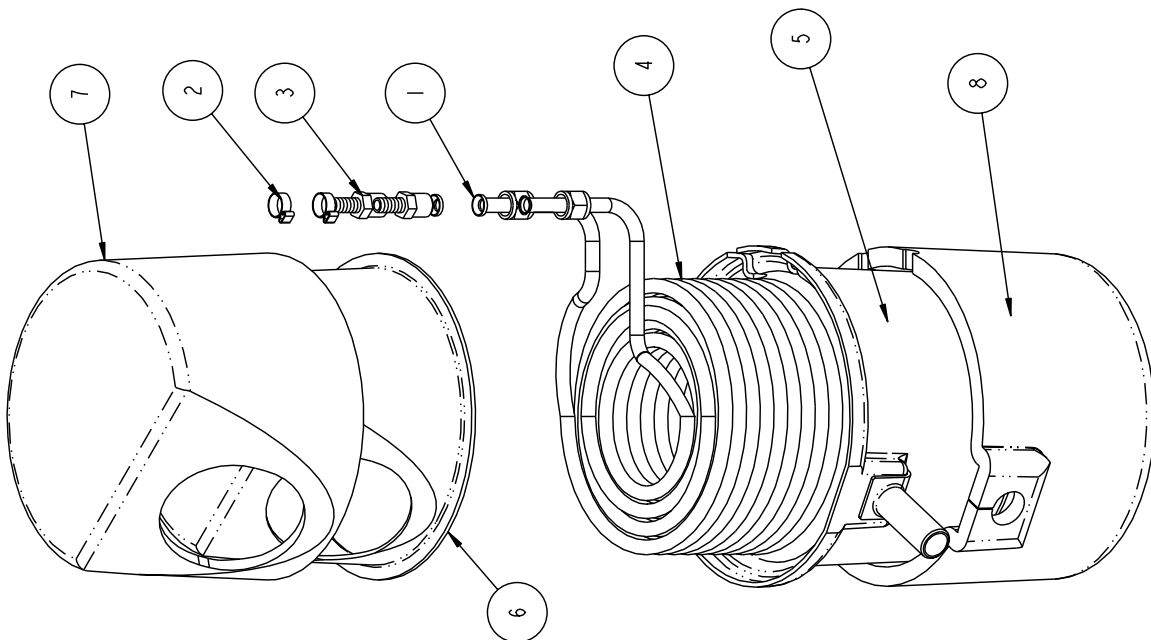
MOUNT MOTOR 120V
5012328
0

SERVEND INTERNATIONAL INC.

ROCKING CHUTE

BILL OF MATERIAL for 5013779

No.	Part Number	Description	Qty.
1	1701115	WASHER 3/8" BLK NYLON	2
2	5000395	CLAMP OTR 39/64" 15.7-706R	2
3	5010904	FITTING 3/8 X 3/8 MF ADAPTOR	2
4	5013722	COIL PRECHILL	1
5	5013780	BASE PRE CHILLER	1
6	5013781	PRE CHILL TUBE CAP	1
7	5013826	PRE CHILL TUBE CAP	1
8	5013886	PRE CHILL TUBE	1



EXCHANGER HEAT PRE CHILL
5013779
0