



Manitowoc
Foodservice
Parts Manual

For more Parts Information:
<https://manitowocfsg.sysonline.com/Default.aspx>

TABLE OF CONTENTS

Manitowoc Foodservice [Updated: Apr. 23, 2015]

Servend

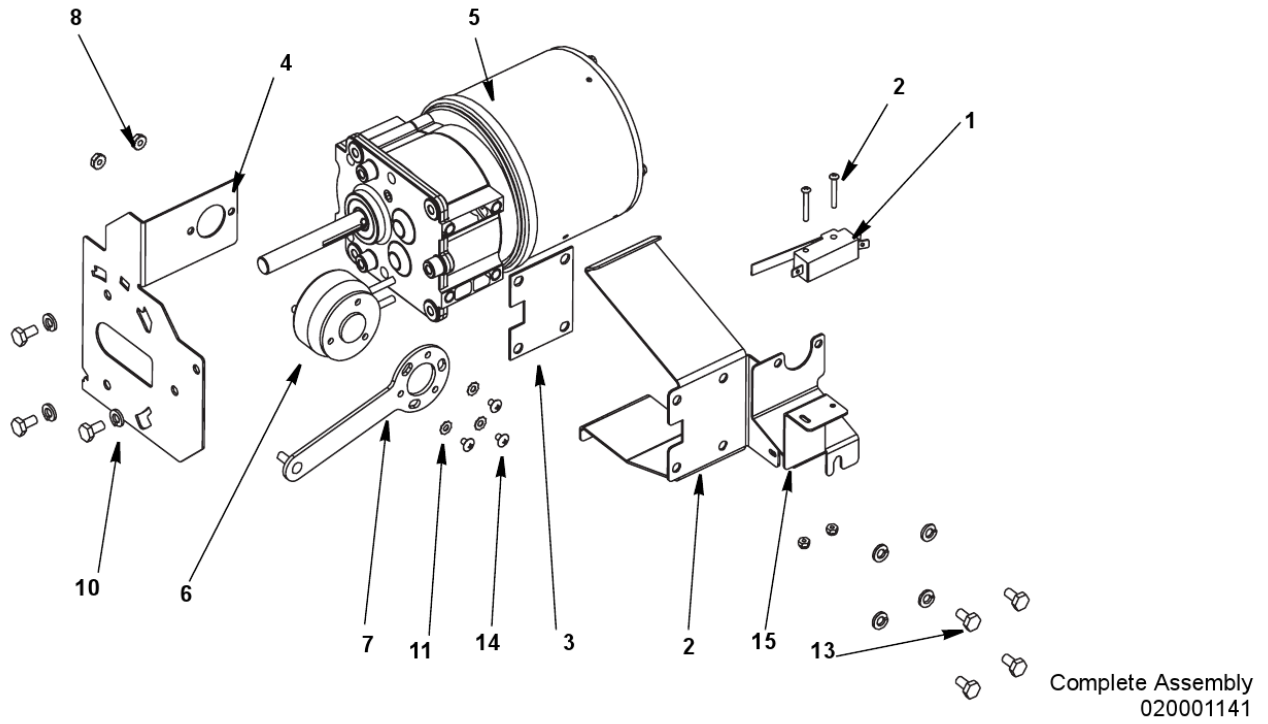
Parts Catalog

Selectable Ice

GEN I CRUSHER ASSEMBLY	1
GEN II LINIX CRUSHER ASSEMBLY	3
SV-200/250SCI REMOTE BOX ASSEMBLY	5
SV-200/250SCI SELECTABLE ICE & FLAVOR MAGIC MODULES	7
SV-200/250SCI FRONT SERVICEABLE DRIVE TRAIN	9
SV-200/250SCI NON-FRONT SERVICEABLE DRIVE TRAIN	11
SV-200/250SCI MERCHANDISER, LID, SPLASH PANELS, & BASE	13
SV & SVi-200/250 MEDALLIONS	15
SV-200/250SCI PANELS & TRIM	17
SV-200/250SCI CARBONATORS & MANIFOLDS	19
SV-200/250SCI GEN I SELECTABLE ICE COMPONENTS & ELECTRICAL	21
SV-200/250SCI GEN II SELECTABLE ICE COMPONENTS & ELECTRICAL	23

Selectable Ice

GEN I CRUSHER ASSEMBLY



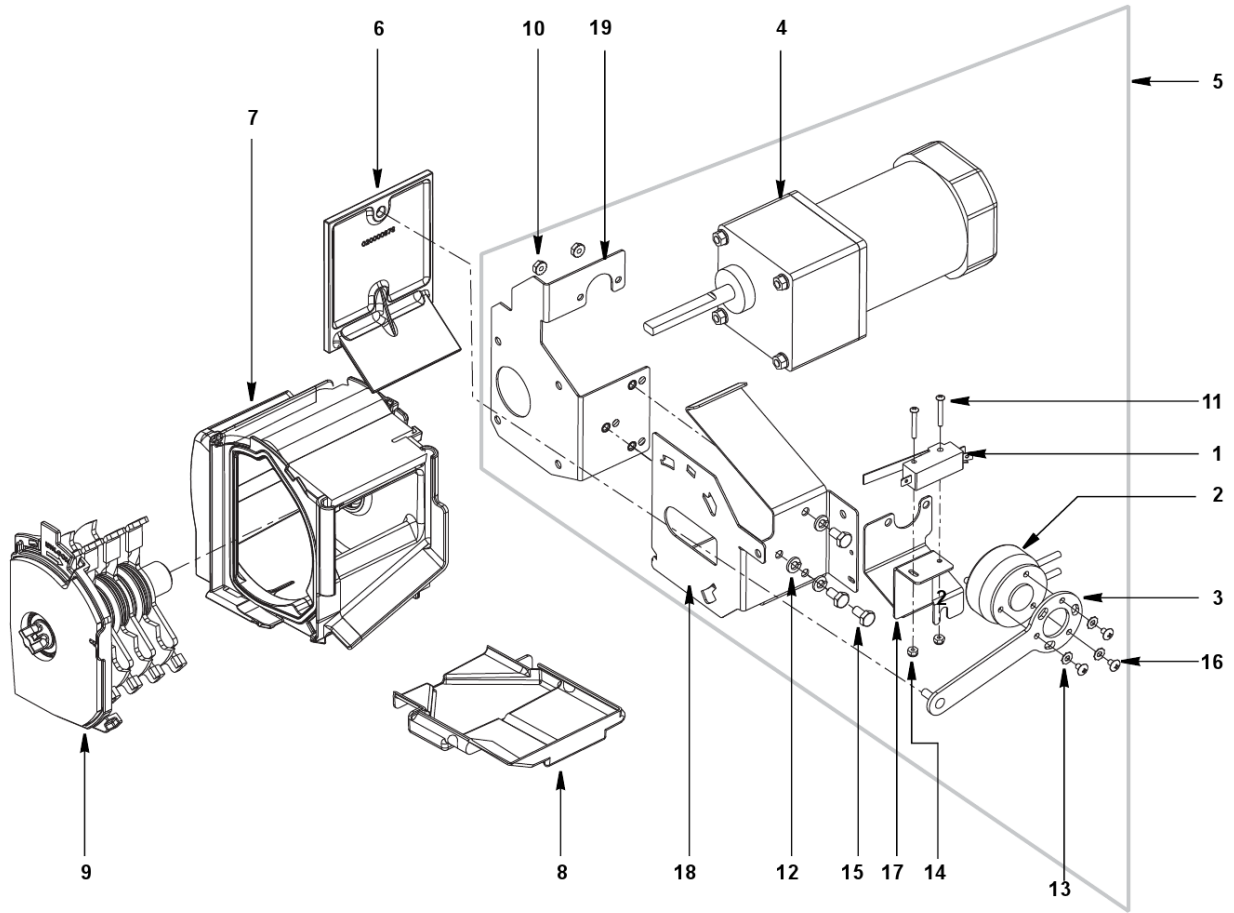
Selectable Ice

GEN I CRUSHER ASSEMBLY

#	PART #	DESCRIPTION	QTY	Note
1	1000703	Microswitch		
2	5031264	Motor Mount		
3	5031267	Motor Gasket		
4	5031281	Housing Mount		
5	5031369	Motor ED-8110-1		
6	5031370	Solenoid Rotary		
7	5031615	Arm Solenoid Rotary		
8	00850705	Nut #10-32 Hex with Lock		
9	0900901	Screw - #6-32 x 1.0" SS		
10	0901904	Lockwasher - 0.25"		
11	0901915	Starwasher - #8 SS		
12	0902304	Screw - #6-32 ESNA SS		
13	5007377	Bolt - 0.25"-20 x 0.5" SS		
14	5012081	Screw - #8-32 x 0.25" Ph		
15	503183	Bracket Microswitch Ext		

Selectable Ice

GEN II LINIX CRUSHER ASSEMBLY



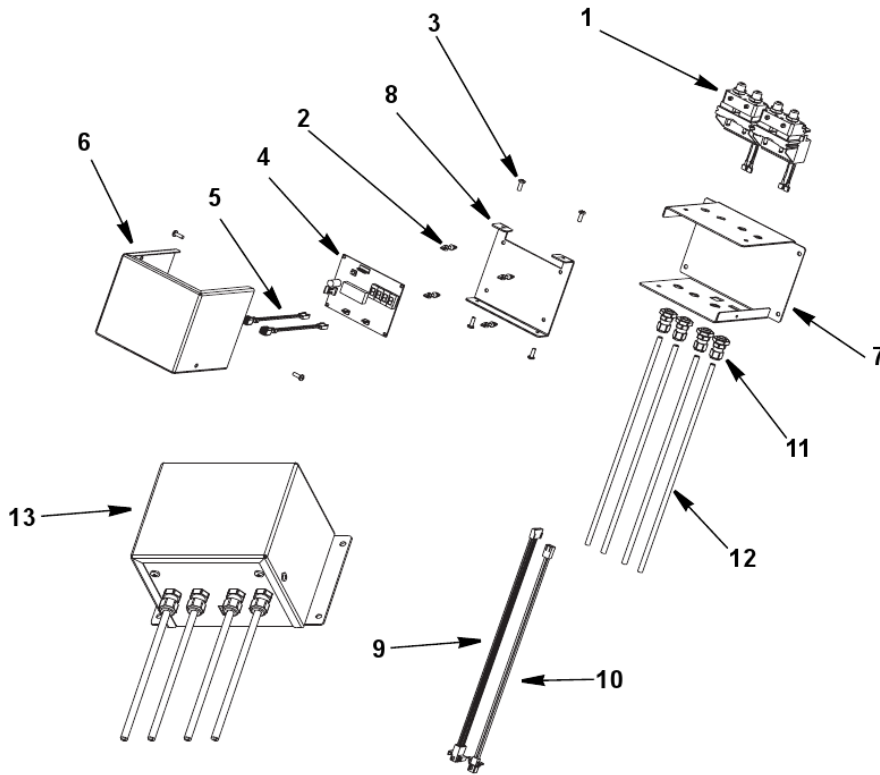
Selectable Ice

GEN II LINUX CRUSHER ASSEMBLY

#	PART #	DESCRIPTION	QTY	Note
1	1000703	Microswitch		
2	5031370	Solenoid Rotary		
3	5031615	Arm Solenoid Rotary		
4	020003227	Motor - GEN II Crusher		
5	020003087	Motor Assembly - GEN II Crusher		
6	020000879	Door Crushed Ice		
7	020001026	Blade Housing		
8	020001361	Drip Pan		
9	020001515	Blade / Hub - GEN II		
10	00850705	Nut #10-32 Hex with Lock		
11	0900901	Screw - #6-32 x 1.0" SS		
12	0901904	Lockwasher - 0.25"		
13	0901915	Starwasher - #8 SS		
14	0902304	Screw - #6-32 ESNA SS		
15	5007377	Bolt - 0.25"-20 x 0.5" SS		
16	5012081	Screw - #8-32 x 0.25" Ph		
17	5031835	Microswitch Bracket		
18	020002954	Bracket Crusher Motor Mount		
19	020003011	Bracket Crusher Housing Mount		

Selectable Ice

SV-200/250SCI REMOTE BOX ASSEMBLY



Complete Assembly
02000508

Selectable Ice

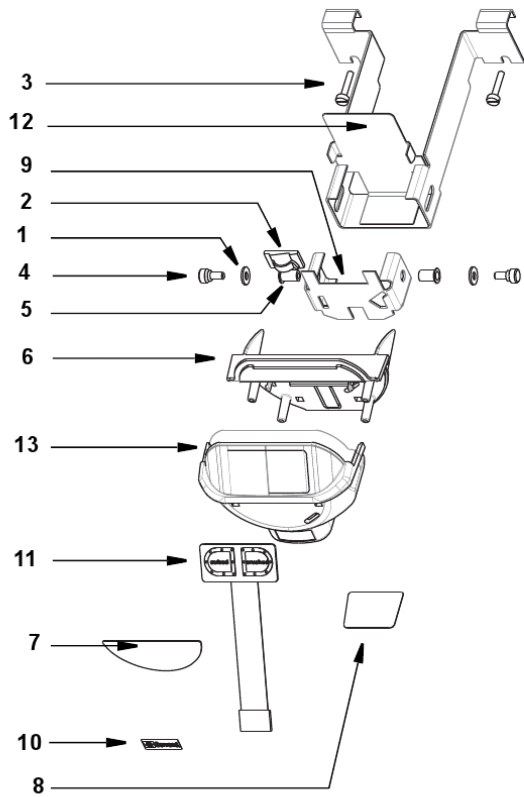
SV-200/250SCI REMOTE BOX ASSEMBLY

#	PART #	DESCRIPTION	QTY	Note
1	202-FN-D26	Valve Electric PI Blk		
2	00212539	STANDOFF 7/16 HIGH		
3	5011940	Screw - #8-32 x 0.5"		
4	5030437	Control Board 4 Flavor Fm		
5	5030441	Wiring Harness - Flavor Magic - 2 Valve		
6	020000500	Cover FM Electric Box		
7	020000501	Housing Fm Electric Box		
8	020000512	Mount Fm Circuit Board		
9	020000586	Harness Control Board Pol FM Int		
10	020000589	Harness Power 24v Fm		
11	020001297	Cord Grip		
12	020001303	Tubing - 0.25" OD x 12.0'		
13	020000508	Remote Box Assembly		

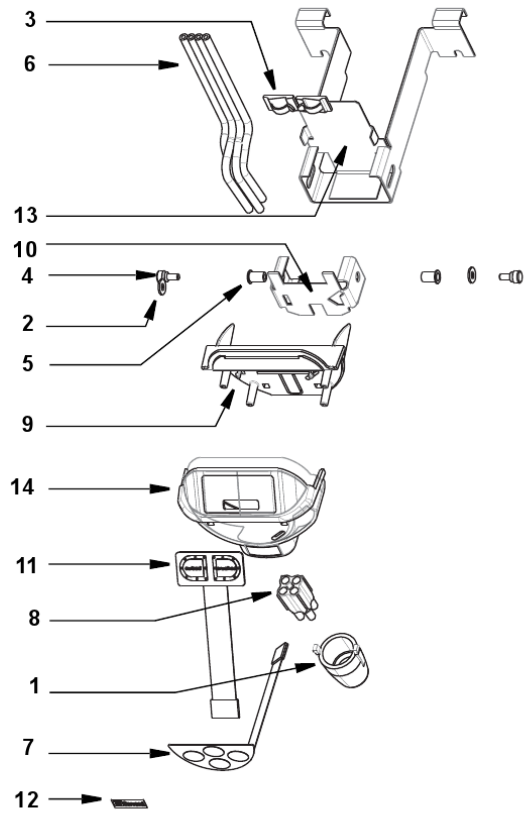
Selectable Ice

SV-200/250SCI SELECTABLE ICE & FLAVOR MAGIC MODULES

Selectable Ice Only Module 020001072



Selectable Ice & Flavor Magic Module 020001836



Selectable Ice

SV-200/250SCI SELECTABLE ICE & FLAVOR MAGIC MODULES

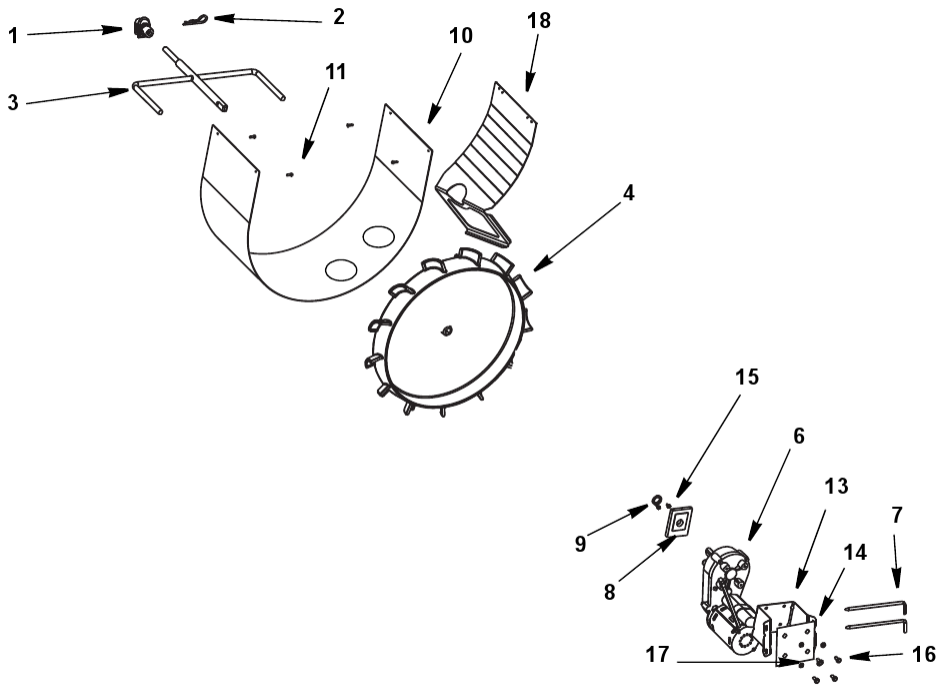
#	PART #	DESCRIPTION	QTY	Note
		Selectable Ice Only Module 020001072		
1	00850350	Flat Washer - 0.218" ID x 0.50" OD		
2	0905403	CLIP PLASTIC WIRE & CORD		
3	5008033	Screw - #8-32 x 0.875"		
4	5012790	Screw - #10-32 x 0.5" Knurl		
5	5029806	Rivnut - #10-32		
6	020000493	Back Cover - Flavor Magic		
7	020000594	Label Nozzle Opening		
8	020000846	Center Mounting Bracket		
9	020000876	Key Pad - IcePic		
10	020001034	Servend Logo - Horizontal		
11	020001048	IcePic Decal		
12	020001153	Welded FM Bracket		
13	020003197	Front FM Icepic Cover		
		Selectable Ice & Flavor Magic Module 020001836		
1	501-25	Nozzle - Soft Pour - Black		[1]
2	00850350	Flat Washer - 0.218" ID x 0.50" OD		
3	0905403	CLIP PLASTIC WIRE & CORD		
4	5012790	Screw - #10-32 x 0.5" Knurl		
5	5029806	Rivnut - #10-32		
6	5030446	Tubing - 0.25" x 4.0'		
7	5031193	Key Pad - 4 Button - Flavor Magic		
8	5031453	Quad Tube Retainer - Flavor Magic		
9	020000493	Back Cover - Flavor Magic		
10	020000846	Center Mounting Bracket		
11	020000876	Key Pad - IcePic		
12	020001034	Servend Logo - Horizontal		
13	020001153	Welded FM Bracket		
14	020003197	Front FM Icepic Cover		

PART NOTES:

[1] - Black

Selectable Ice

SV-200/250SCI FRONT SERVICEABLE DRIVE TRAIN



The drive train components displayed here are for Front Serviceable Units. Model & serial numbers include the following:

SV-200/250SCI
#610046781 & up

Selectable Ice

SV-200/250SCI FRONT SERVICEABLE DRIVE TRAIN

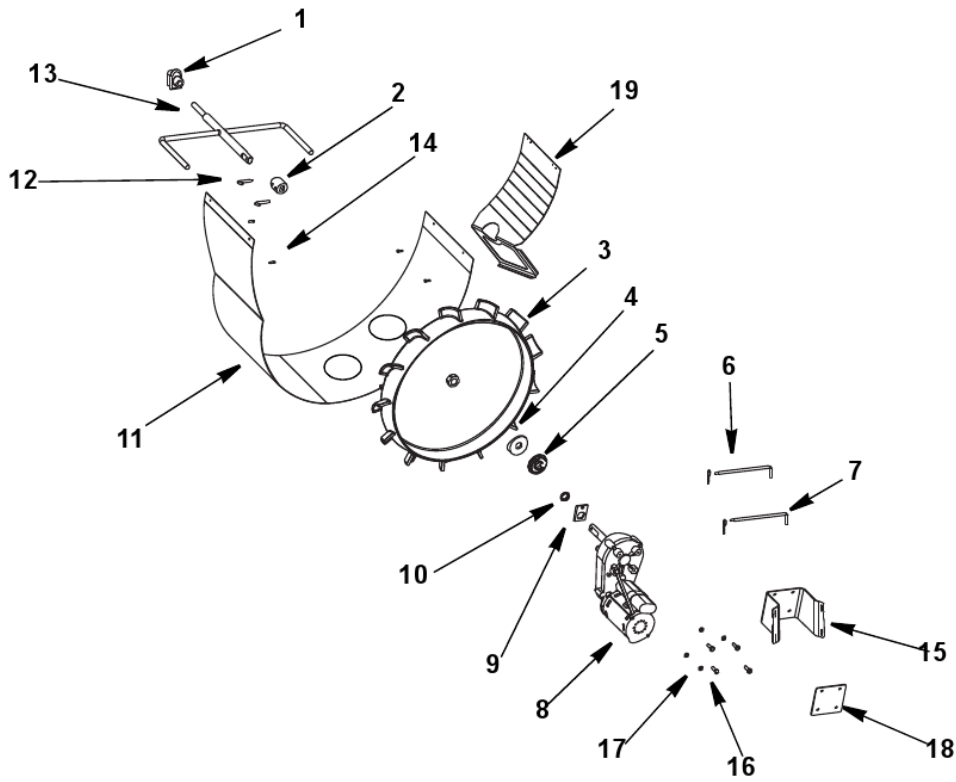
#	PART #	DESCRIPTION	QTY	Note
1	020001418	Bushing - Mushroom		
2	020001415	Hitch Pin Clip		
3	020001568	Agitator		
4	020001423	Paddle Wheel - Front Serviceable		
6	020003596	Motor/Reducer AO-62 - 115V/60 Hz		
7	4140023	Retaining Pin		
8	5000725	Retainer Seal Gasket - 9.75"		
9	5012913	Motor Shaft Seal		
10	5027740	Bin Liner - SV/SVi-200/250		
11	5000711	Screw - #8-32 x 0.5" Knurl		
12	5028998	Bracket - Strain Relief		
13	5030613	Mounting Bracket - Motor		
14	5030654	MNT MOTOR PLATE		
15		Screw - See Note for Usage		
15a	00850917	Screw - 0.25"-20 x 0.875" Hex		[1]
15b	00850430	Screw - #8-32 x 0.375"		[2]
16	0900601	Bolt - 0.25" x 0.625" SS		
17	0901904	Lockwasher - 0.25"		
18	5030704	Bin Liner Support		

PART NOTES:

- [1] - SV-200 Only
- [2] - SV-250 Only

Selectable Ice

SV-200/250SCI NON-FRONT SERVICEABLE DRIVE TRAIN



The drive train components displayed here are for Non-Front Serviceable Units. Model & serial numbers include the following:

SV-200/250SCI
#610046780 & earlier

Selectable Ice

SV-200/250SCI NON-FRONT SERVICEABLE DRIVE TRAIN

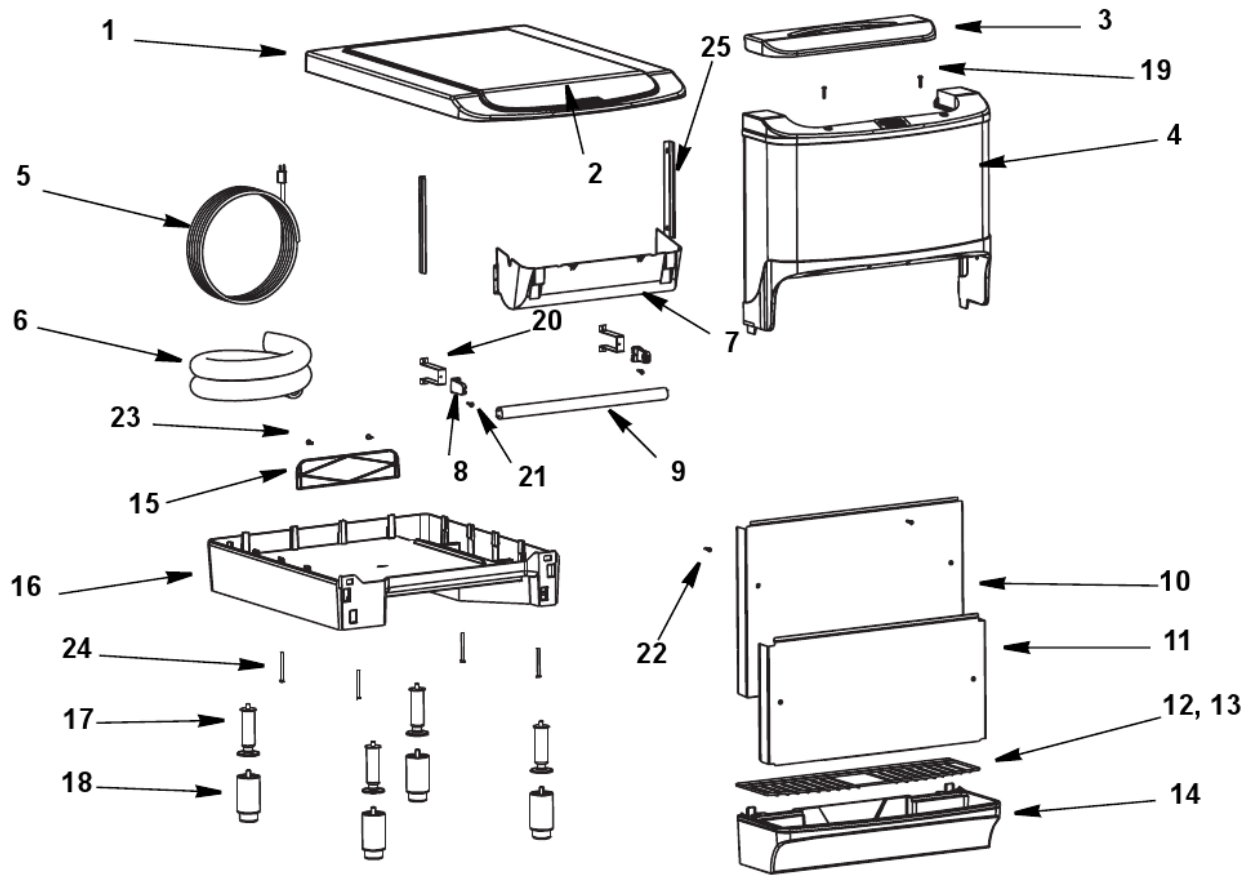
#	PART #	DESCRIPTION	QTY	Note
1	0101702	Bushing - Mushroom		
2	5028475	Coupling		[1]
3	5012544	Paddle Wheel		[1]
4	5030785	Spacer		
5	5029846	BSHG PADDLE WHEEL AREA		
6	5012374	Compressor Pin		
7	5030743	Retaining Pin		
8	020003651	Motor - Double D - 115V		
9	5001819	Retainer Oil Seal - Kit		
10		Seal Motor Shaft		[2]
11	5027740	Bin Liner - SV/SVi-200/250		
12	5028693	Retaining Pin		
13	5028476	Agitator Bar		
14	5000711	Screw - #8-32 x 0.5" Knurl		
15	5030613	Mounting Bracket - Motor		
16		Screw - See Note for Usage		
16a	00850430	Screw - #8-32 x 0.375"		[3]
16b	00850917	Screw - 0.25"-20 x 0.875" Hex		[4]
17	0901904	Lockwasher - 0.25"		
18	5030654	MNT MOTOR PLATE		
19	5030704	Bin Liner Support		

PART NOTES:

- [1] - Double D Shaft
- [2] - N/A
- [3] - SV-200 Only
- [4] - SV-250 Only

Selectable Ice

SV-200/250SCI MERCHANDISER, LID, SPLASH PANELS, & BASE



Selectable Ice

SV-200/250SCI MERCHANDISER, LID, SPLASH PANELS, & BASE

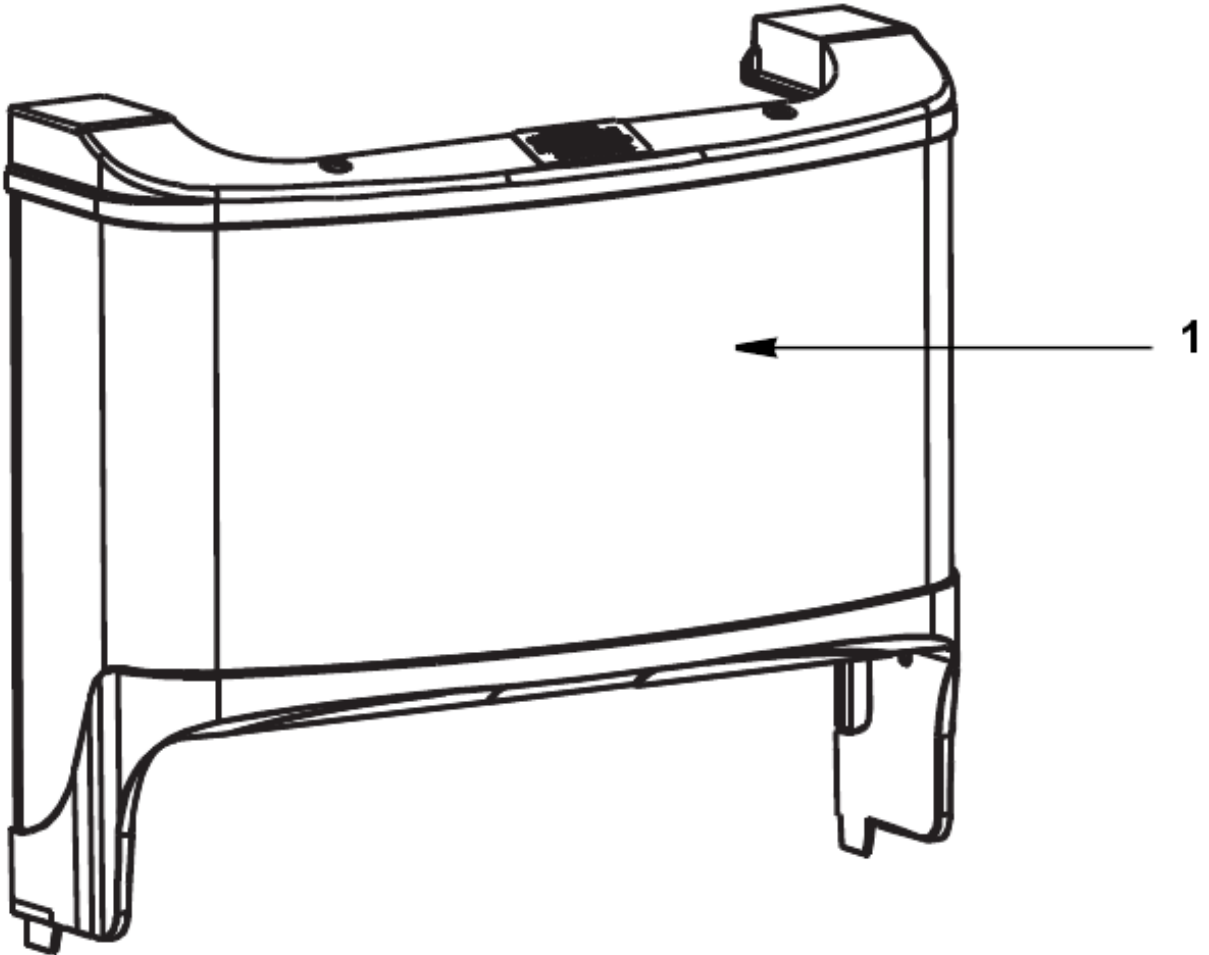
#	PART #	DESCRIPTION	QTY	Note
1	5012179	Lid - 200/250		
2	0301249	Label - Danger		
3	5012116	Manual Fill Ice Lid - Black		
4	5029484	Merchandiser		[1]
5	5008642	Power Cord		[2]
6	2602528	Drain Kit		
6a	5031376	Drain Kit w/Extended Splash Panel		
7	5029732	Manual Fill Area Lower		
8	1001001	Fluorescent Tube Socket		
9	5012827	Fluorescent Tube - 24"		
10	5013288	Extended Splash Panel - SV/SVi-200/250		
10a	020004814	Extended Splash Panel with ADA - S-250SCI		
11	5012473	Splash Panel - 200/250		
12		Grid		
12a	5012250	Drain Pan Grid - 200/250		
12b	020002865	Open Center Drain Pan Grid		
13		Reduced Spacing Grid		
13a	020001796	Reduced Spacing Grid - 200/250		
13b	020000156	Drain Pan with Gasket - 23"		
14	020000900	Drain Pan with Gasket - 30"		
15	020000408	Plate Base Rear Cover		
16	020000399	Base - 30"		
17	5013595	Leg - 0.375"-16 x 4		
18	020000398	Leg - 2" Diameter x 4-6" Height - 0.375"-16 Stud		
19	5007698	Screw - #8-32 x 0.875" Knurl Black		
20	7050046	Light Socket Bracket		
21	0900504	Screw - #8-32 x 0.5"		
22	5012944	Screw - #8-32 x 0.5"		
23	5007697	SCR #8X3/4"PH TR HD A BLK		
24	5027731	Screw - #12 x 2.5" Pan Head		
25	5030890	Medallion Support Bracket		

PART NOTES:

- [1] - Frame Top & Bottom, No Medallion
- [2] - Agit Mtr

Selectable Ice

SV & SVI-200/250 MEDALLIONS



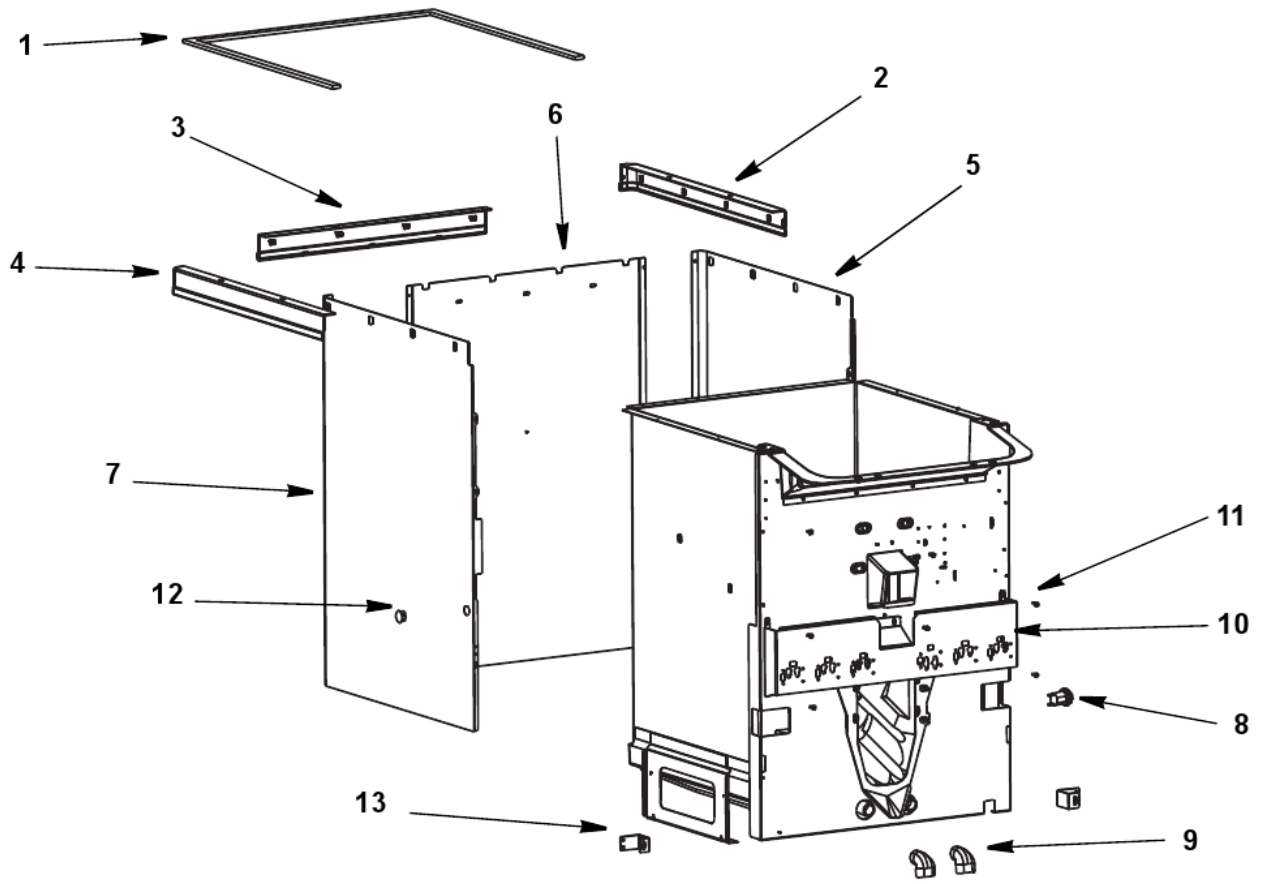
Selectable Ice

SV & SVI-200/250 MEDALLIONS

#	PART #	DESCRIPTION	QTY	Note
1		Merchandiser Medallions		
1a		SV/SVi-200		
	5030839	Medallion - Pepsi		
	5030823	Medallion - Coke		
	5030838	Medallion - Quench		
	5030791	Medallion - Ice		
	020000358	Medallion - Clear		
	020000384	Medallion - Dr Pepper		
	020001043	Medallion - IcePic		
1b		SV/SVi-250		
	5030839	Medallion - Pepsi		
	5030855	Medallion - Coke		
	5030860	Medallion - Quench		
	5030790	Medallion - Ice		
	020000369	Medallion - Clear		
	020000390	Medallion - Dr Pepper		
	020000394	Medallion - Lemon X		

Selectable Ice

SV-200/250SCI PANELS & TRIM



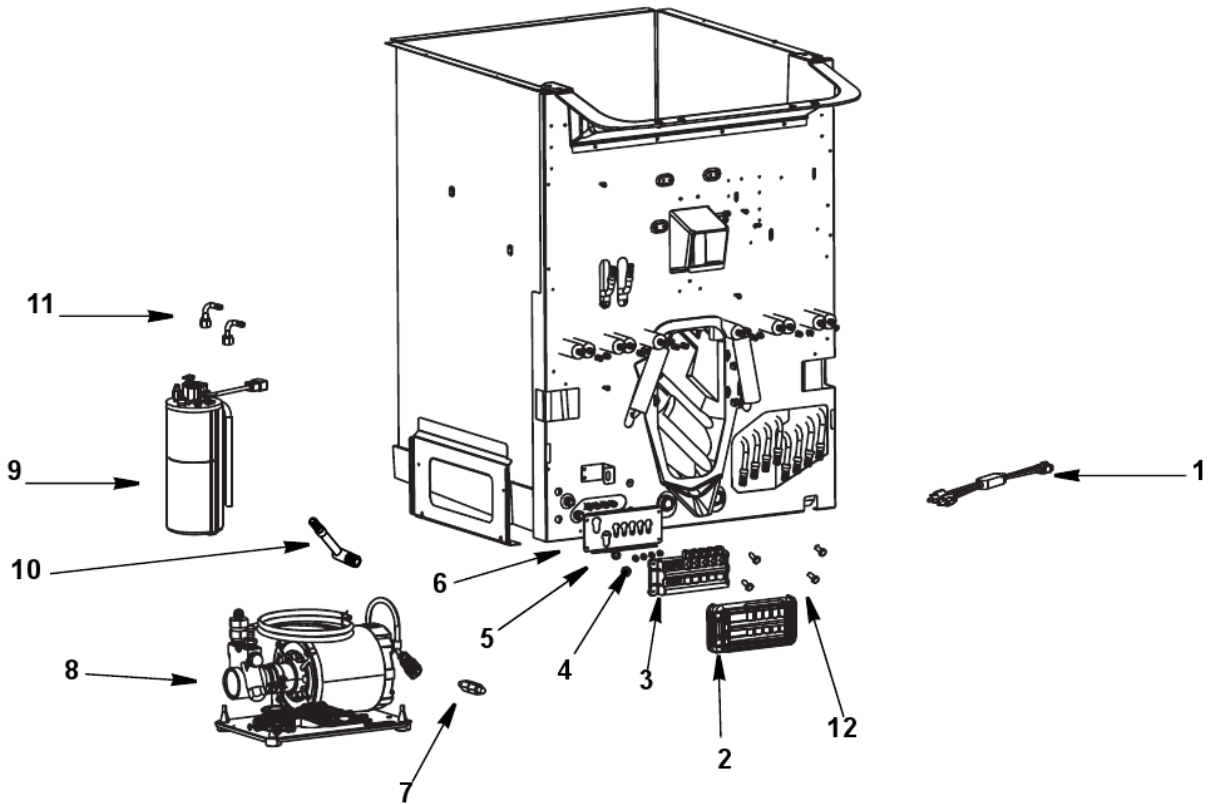
Selectable Ice

SV-200/250SCI PANELS & TRIM

#	PART #	DESCRIPTION	QTY	Note
1	5007756	Foam Gasket - 0.25" x 0.75"		
2	5011890	Trim - Top Right		
3	5012150	Trim - Top Back - 200/250		
4	5011889	Trim - Top Left		
5	5027744	Right Side Panel - 200		
6	5027742	Back Panel - 200/250		
7	5027743	Left Side Panel - 200/250		
8	5000220	Key Switch		
9	5010337	Elbow - 90° - Rubber		
10		Valve Mount Cap		
10a	020000419	Valve Mount Cap - 8 Valve		
10b	5031084	Valve Mount Cap - 8 Valve with Variety Valve		
10c	5029042	Valve Mount Cap - 10 Valve		
11	5011940	Screw - #8-32 x 0.5"		
12	1200303	Heyco Plug - 0.875"		
13	5028398	Clip - Splash Panel		

Selectable Ice

SV-200/250SCI CARBONATORS & MANIFOLDS



Selectable Ice

SV-200/250SCI CARBONATORS & MANIFOLDS

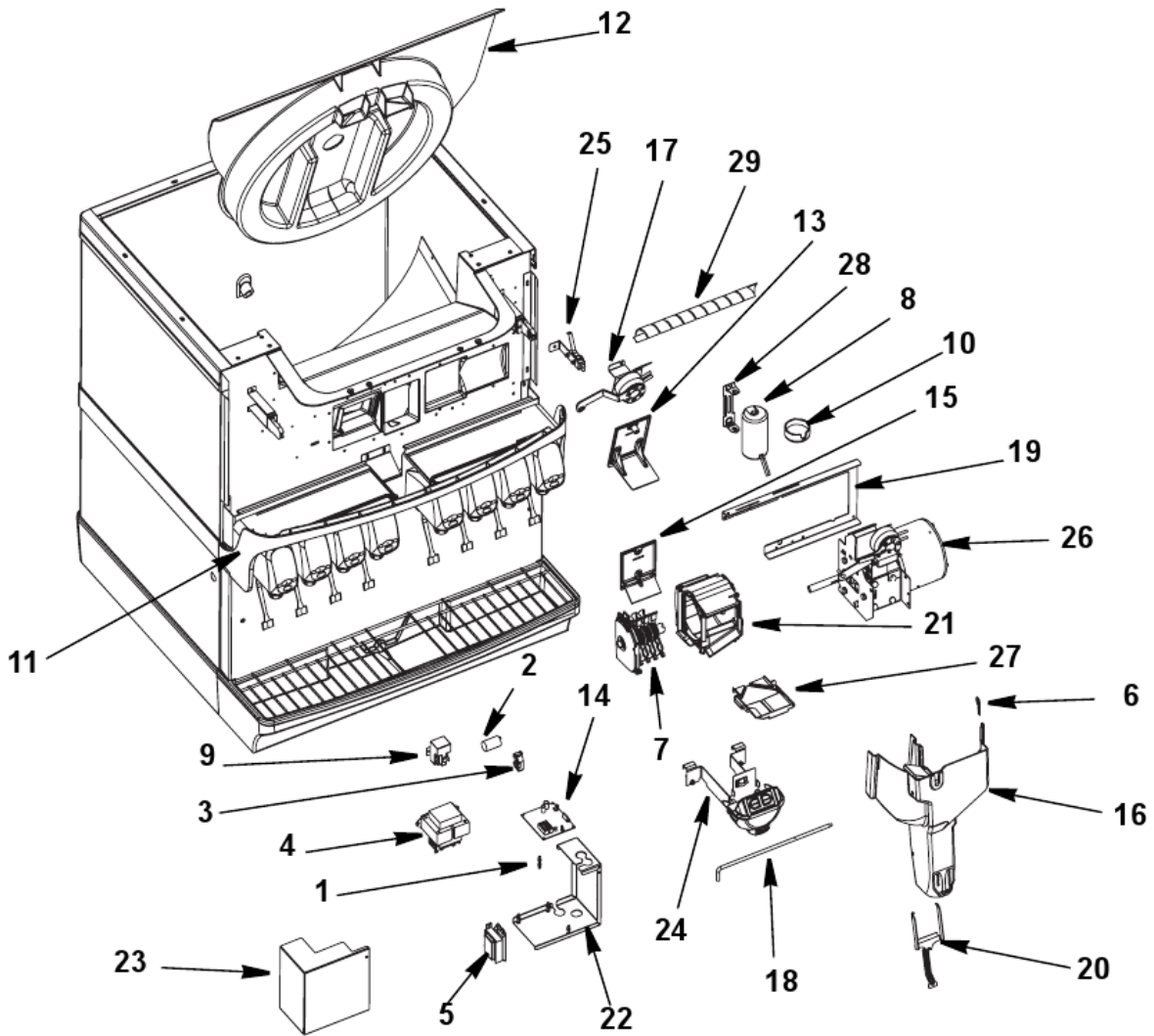
#	PART #	DESCRIPTION	QTY	Note
1	15-3297	Power Cord - 10.0'		[1]
2	5010332	Manifold Gasket		
3	020001256	Manifold Kit - 5 Port Flex		
4	5009080	O-ring - 0.239" x 0.07"		
5	5009763	O-ring - 0.362" x 0.103"		
6	020000814	Manifold Retaining Plate		
7	19-0979	Double Check Valve 0.375" x 0.375"		
8		Pump Deck		
8a	15-3120	Pump Deck - 115V		[2]
8b	15-3198	Pump Deck - 220V		[2]
8c	020002077	Pump Deck - CE - 220V/50 Hz/1-3 Hp		
9		Vertical Carb Tank Assembly		
9a	5031860	Carbonator Tank Vertical - 115V		
9b	020001080	Carbonator Tank Vertical - 220V		
10	020000740	Carbonator Outlet Tube		
11	5010781	Elbow Fitting - 0.375" Barbed		
12	020000992	SCR 8-32 X 4/8 T410SS HH TRI-LOBE		

PART NOTES:

- [1] - Length - 10 feet
- [2] - 125 GPH

Selectable Ice

SV-200/250SCI GEN I SELECTABLE ICE COMPONENTS & ELECTRICAL



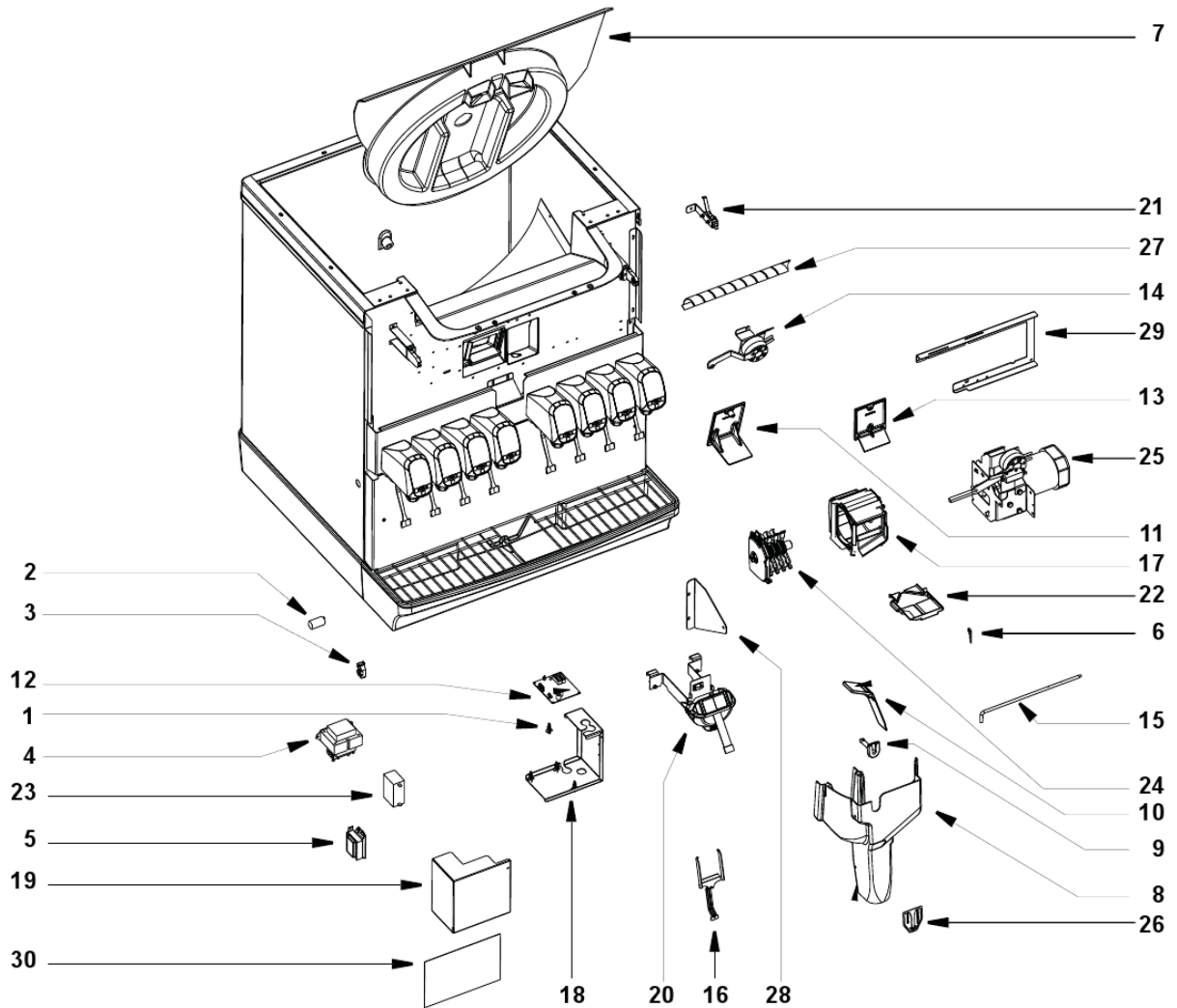
Selectable Ice

SV-200/250SCI GEN I SELECTABLE ICE COMPONENTS & ELECTRICAL

#	PART #	DESCRIPTION	QTY	Note
1	00212539	STANDOFF 7/16 HIGH		
2	1001005	Fluorescent Starter		
3	020002168	Starter Base		
4	5008229	Transformer w/Breaker - 115V		
5	5008644	Ballast		
6	5012374	Compressor Pin		
7	5031408	Blade / Hub - GEN I		
8	5031515	Capacitor - 115V/60 Hz		
9	5031518	Relay		
10	020000201	Capacitor Cap		
11	020000592	Merchandiser Bottom W/ Lens		
12	020000867	Paddle Wheel Area		
13	020000874	Door Whole Ice		
14	020000875	Control Board 120V		
15	020000879	Door Crushed Ice		
16	020000914	Chute Decorative		
17	020000951	Solenoid Assembly		
18	020000952	Rod Selectable Ice		
19	020000993	Motor Mount - Channel - GEN II 302 & 402		
20		Ice Chute Lever		
20a	020001001	Ice Chute Lever - Narrow Short		
20b	020002869	Ice Chute Lever - Center		
21	020001026	Blade Housing		
22	020001046	Electrical Box		
23	020001047	Electrical Box Cover		
24	020001072	Selectable Ice Module		
25	020001140	Microswitch Safety		
26	020001141	Motor GEN I SCI		
27	020001361	Drip Pan		
28	5031516	Capacitor Bracket		
29	020001285	Wire Wrap		
30	020000335	Harness Activation Switch		
31	020000336	Harness Key Pad		
32	020000337	Harness Transformer		
33	020000338	Harness Control Board		

Selectable Ice

SV-200/250SCI GEN II SELECTABLE ICE COMPONENTS & ELECTRICAL



Selectable Ice

SV-200/250SCI GEN II SELECTABLE ICE COMPONENTS & ELECTRICAL

#	PART #	DESCRIPTION	QTY	Note
1	00212539	STANDOFF 7/16 HIGH		
2	1001005	Fluorescent Starter		
3	1001006	Starter Base		
4	5008229	Transformer w/Breaker - 115V		
5	5008644	Ballast		
6	5012374	Compressor Pin		
7	020000867	Paddle Wheel Area		
8	020000871	Chute Decorative		
9	020000872	Rod Finger Guard		
10	020000873	Finger Guard		
11	020000874	Door Whole Ice		
12	020000875	Control Board 120V		
13	020000879	Door Crushed Ice		
14	020000951	Solenoid Assembly		
15	020000952	Rod Selectable Ice		
16		Lever		
16a	020001001	Ice Chute Lever - Narrow Short		
16b	020002869	Ice Chute Lever - Center		
17	020001026	Blade Housing		
18	020001046	Electrical Box		
19	020001047	Electrical Box Cover		
20	020001072	Selectable Ice Module		
21	020001140	Microswitch Safety		
22	020001361	Drip Pan		
23	020001402	Capacitor - 250V/60 Hz		
24	020001515	Blade / Hub - GEN II		
25	020003087	Motor Assembly - GEN II Crusher		
26	020001219	Label "Push" For Cubed/Crushed Ice		
27	020001285	Wire Wrap		
28	020002971	Support Rod - Chute		
29	020003024	Channel Motor Mount		
30	020003472	Label Wiring 115/60		
31	020003471	Harness Wiring		