



## **Model SC2000 (SS & TS) Series Super-Chil Water Refrigeration Unit Parts List for Models**

**SC2000A**

**SC2000AX**

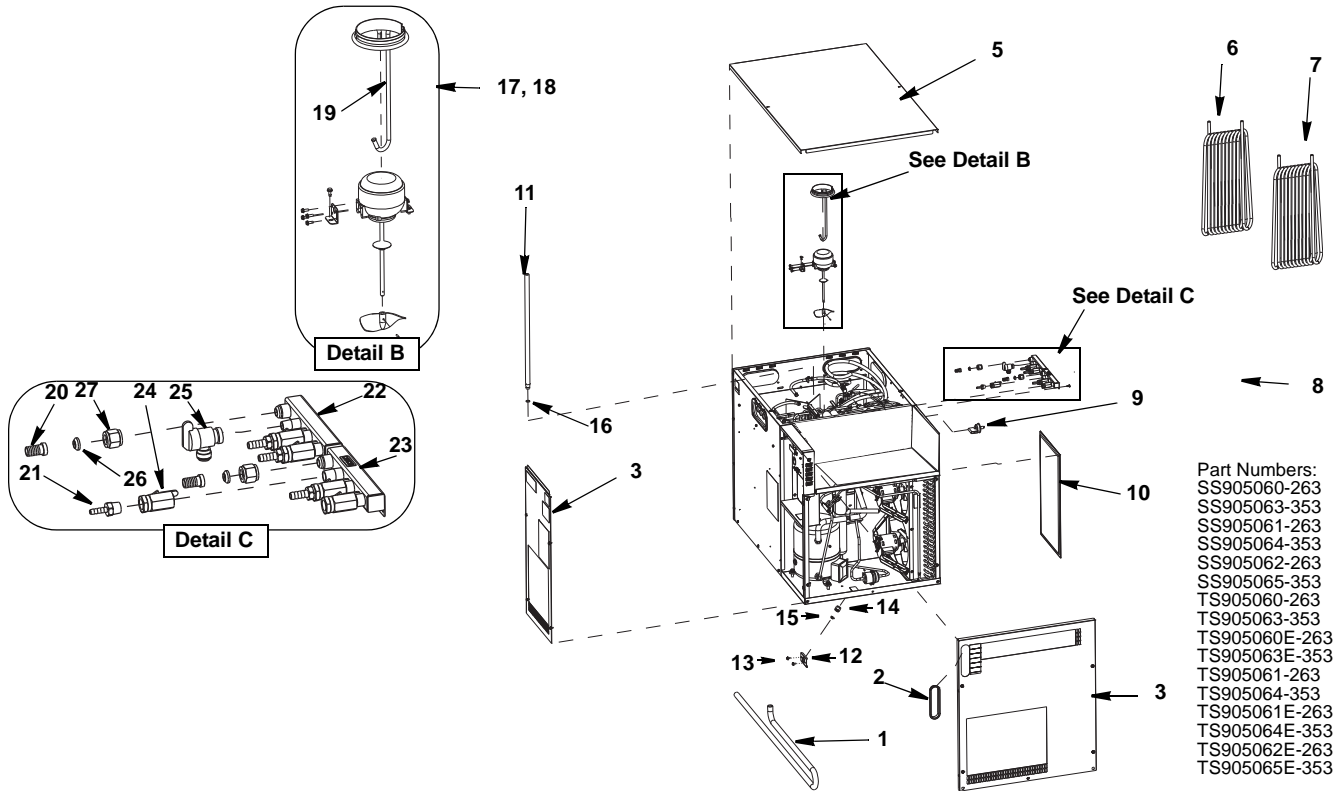
**SC2000W**

**SC2000WX**

**SC2000R**

**SC2000RX**

# MODEL SC2000 BASE PARTS LIST



- Part Numbers:  
 SS905060-263  
 SS905063-353  
 SS905061-263  
 SS905064-353  
 SS905062-263  
 SS905065-353  
 TS905060-263  
 TS905063-353  
 TS905060E-263  
 TS905063E-353  
 TS905061-263  
 TS905064-353  
 TS905061E-263  
 TS905064E-353  
 TS905062E-263  
 TS905065E-353

## DESCRIPTION

- 1 Vinyl Tubing 3/4 ID X1 OD .....
- 2 Switch Cover (Non-ERC) .....
- 3 Right Side Panel .....
- 4 Front Panel .....
- 5 Top Cover .....
- 6 SS Tube Coil .312 OD .....
- 7 SS Tube Plain Water - .375 OD .....
- 8 SS Tube Coil .312 OD .....
- 9 Switch Pressure 4psi Low Water .....
- 10 Air Filter .....
- 11 Stand Pipe- 24.25 Lg .....
- 12 Bracket, Hose Retainer .....
- 13 Screws Bracket, Hose Retainer .....
- 14 Tub Drain Fitting .....
- 15 Drain Nut .....
- 16 O-ring, Rubber - .750 Od X .625 Id. ....

## PART NO.

- 1200419
- 000001755
- 020001715
- 020001716
- 6052071
- 3002043
- 3002073
- 3002173
- 2002743
- 000001430
- 3001723
- 6052031
- 5001673
- 5001063
- 00206387
- 5001613

## Detail B (Agitator Motor)

- 17 **TS Motor Assembly Kit (Agitator w/Heat Sink Tube) Domestic/International - 230 VAC, 50/60 Hz** .....
- a. Agitator Motor Mounting Bracket .....
- b. Water Slinger Washer .....
- c. Plastic Propeller .....
- d. Internal Tooth Washer .....
- e. Tab-clamp 3.909-4.035 SS .....
- f. Roll Pin 3/32 X 9/16 SS .....
- g. Electrical Sleeve Tubing .....
- h. Agitator Motor 25w 230/50/60 .....
- 18 **SS Motor Assembly 115V.** .....
- a. SS Motor Only 115V .....
- 19 Heat Sink Tube Asm And Clamp .....

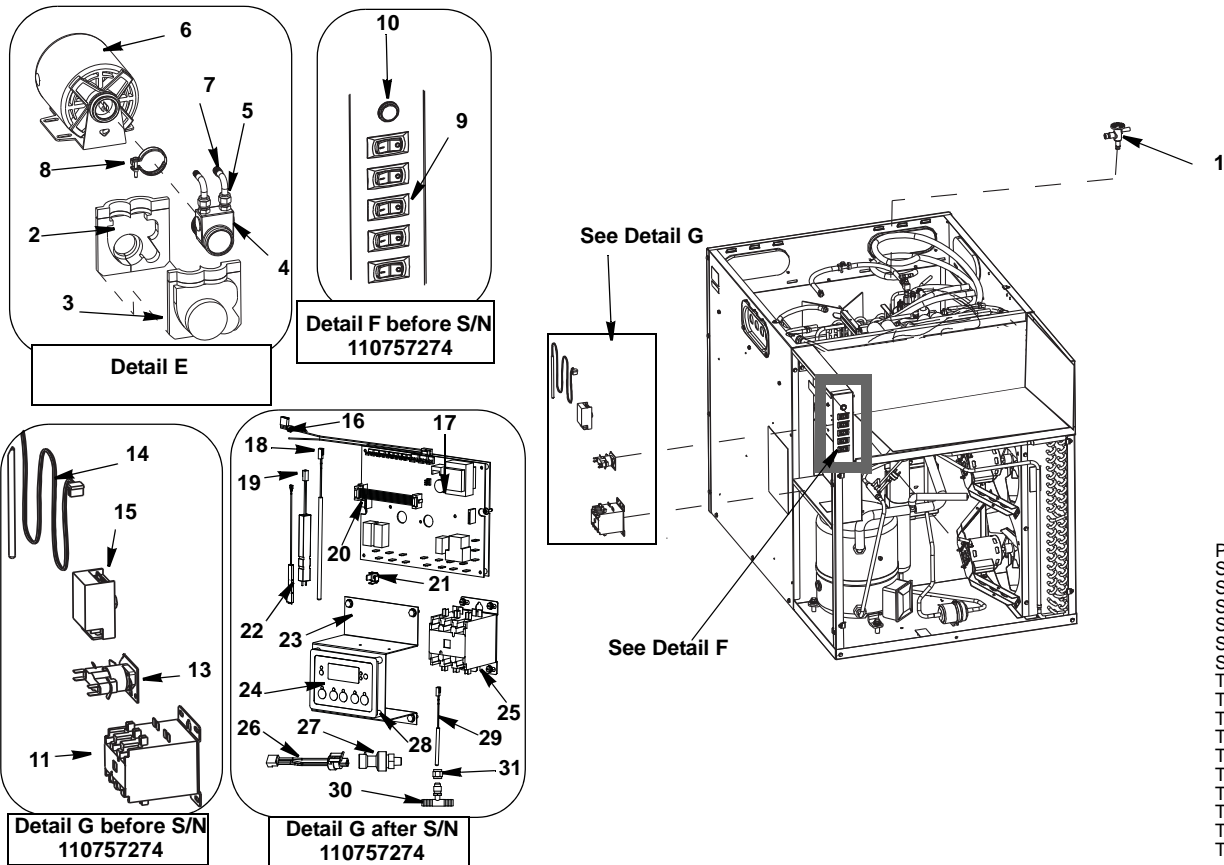
- 00213237
- 00215727
- 00377102
- 00751208
- 00856302
- 00859119
- 00859503
- RM156120
- 00213018
- 00216565
- 00753715
- 7601431

## Detail C (Manifold)

- 20 Barb-stem Adpt 1/2barbx1/2sw .....
- 21 Adapter - .250 Barbx.375 Mpt. ....
- 22 Manifold Water 3 Outlet .....
- 23 Manifold Water 3 Outlet .....
- 24 Valve Ball 3/8 Fptx3/8 Fpt Bras .....
- 25 Valve,shutoff-1/4 Turn,jg,1/4fptx3/8 Tube .....
- 26 Washer Tapered-.50 Flare-nyl .....
- 27 Nut SWV 1/2 Flare NP Brass .....

- 5001983
- 5001963
- 000001973
- 000002232
- 5001023
- 5001343
- 5001793
- 5002033

# MODEL SC2000 BASE PARTS LIST

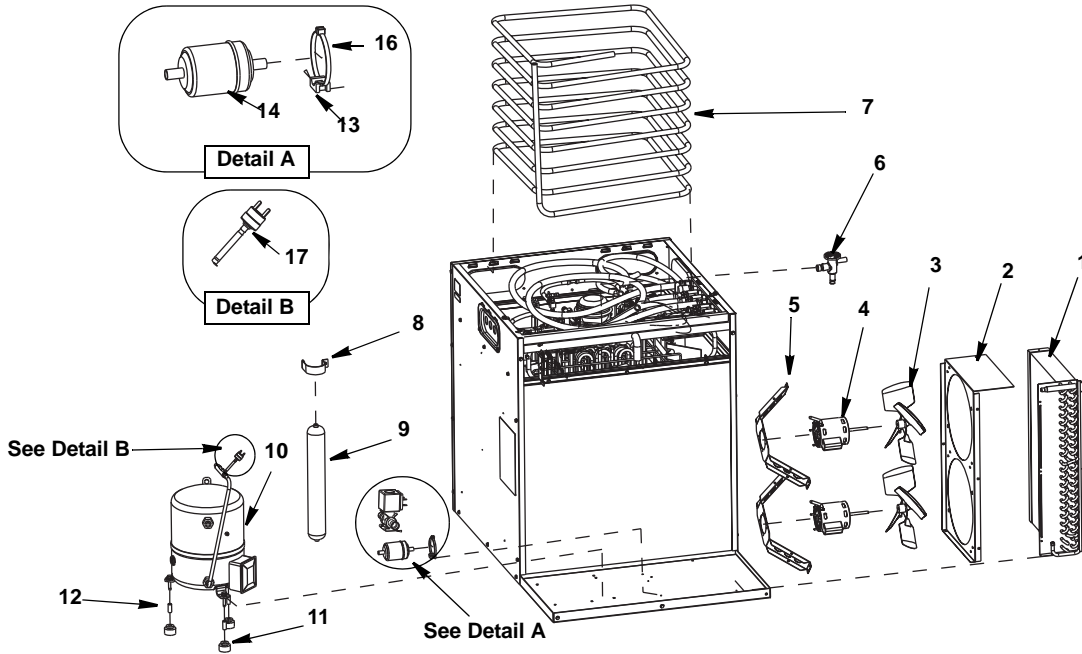


Part Numbers:  
 SS905060-263  
 SS905063-353  
 SS905061-263  
 SS905064-353  
 SS905062-263  
 SS905065-353  
 TS905060-263  
 TS905063-353  
 TS905060E-263  
 TS905063E-353  
 TS905061-263  
 TS905064-353  
 TS905061E-263  
 TS905064E-353  
 TS905062E-263  
 TS905065E-353

## DESCRIPTION

	<b>PART NO.</b>
<b>1 Thermal Expansion Valve</b>	
a. Dual to Single Valve Conversion Kit .....	00003932
b. Single Valve Replacement .....	00002976
<b>Detail E (Water Motor &amp; Pump)</b>	
2 Boot, Motor Pump .....	4010243
3 Boot, Motor Pump .....	4010253
4 Pump, 100 Gph - S/steel. ....	2002753
5 Adaptor, 3/8mf X 3/8 Mpt S/s. ....	5001803
6 Motor, Carb - 230v, 1/3hp .....	2002543
7 Adaptor, Elbow 3/8 SWV x 3/8 Barb. ....	5001943
8 Clamp Pump Carb .....	5009036
<b>Detail F (Switches Non-ERC Models)</b>	
9 Switch, Rocker - Spst, 16a .....	2002893
10 Lamp Ind 250v Red W/3/16 Tabs .....	2002523
<b>Detail G (Liquid Level &amp; Ice Bank Controls Non-ERC Models)</b>	
<b>11 Contactor - 3 Pole</b>	
a. Domestic - 3 Pole 120V 30 FLA .....	2007873
b. International - 3 POLE 25A 230V .....	2003173
<b>12 Liquid Level Control</b>	
a. Domestic - 120V .....	00219104
b. International - 220V .....	00219105
13 Relay, therm. Time Delay Dpstnc. ....	2002483
14 Sensor, Elec. Ice Bank Cntrl. ....	2002733
15 Ctrl Elec Ice Bank 230v Ihi .....	020001414
<b>Detail G (ERC Models)</b>	
16 HPCO Wiring Harness .....	020002329
17 Control Board .....	020001985
18 Water/Glycol Water Bath temperature sensor .....	020002142
19 Water Level Sensor .....	020002143
20 Ribbon Cable .....	020001987
21 Ground Terminal .....	000001452
22 Ice Bank Control .....	020002091
23 Bracket .....	000003157
24 Display Keypad .....	020001986
25 Contactor .....	2006619
26 Pressure Switch WiringHarness .....	020002070
27 Pressure Switch .....	020001992
28 Key pad Mounting Screws .....	000001986
29 Recirc Temperature Sensor .....	020001991
30 Tee .....	5003143
31 Nut .....	5002003

## SC2000A & SC2000AX (AIR COOLED PARTS)



Part Numbers:  
 SS905060-263  
 SS905063-353  
 TS905060-263  
 TS905063-353  
 TS905060E-263  
 TS905063E-353

### DESCRIPTION

1	Air Condenser (11x 22) .....	000001193
2	Condenser Fan Shroud .....	000001324
3	Fan Blade .....	000001425
<b>4</b>	<b>Fan Motor</b>	
a.	Domestic - 230V 60HZ 35W W/36i .....	8251883
b.	International - 220V 50HZ 23.2 .....	00753724
5	Fan Motor Bracket .....	000001327
<b>6</b>	<b>Thermal Expansion Valve</b>	
a.	Dual to Single Valve Conversion Kit .....	000003932
b.	Single Valve Replacement .....	000002976
7	Evaporator Coil (50MA-R 404A) .....	3001793
8	Receiver Strap .....	6000541
9	Receiver Port (2-1/8 OD x 15, 3/8) .....	8900353
<b>10</b>	<b>Compressor</b>	
a.	Domestic - 2.20HP 230V, 3PH, 60Hz .....	00215457
b.	International - 2.20HP 380V .....	00215922
11	Rubber Grommet .....	8503063
12	Sleeve (3/8 ID x 1.031" Long) .....	8503943

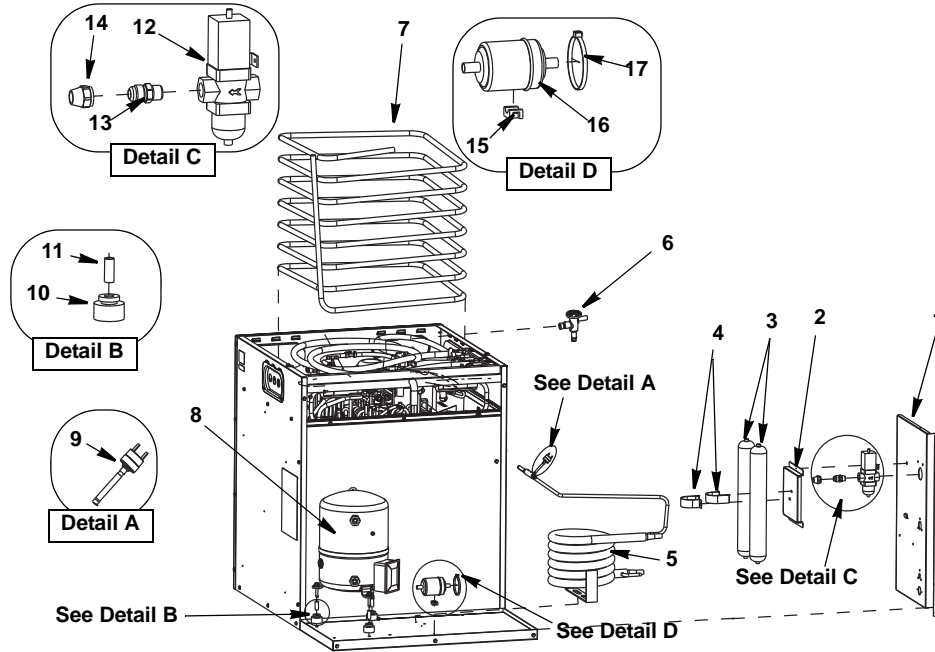
### Detail A

13	Mounting Base .....	5650613
14	Drier .....	8930279
15	Liquid Line Solenoid Wiring Harness - NOT SHOWN .....	000001460
16	Plastic Cable Tie (Pkg Of 2) .....	5650359

### Detail B

17	High Pressure Cutout Control .....	2001243
----	------------------------------------	---------

## SC2000W & SC2000WX (WATER COOLED PARTS)

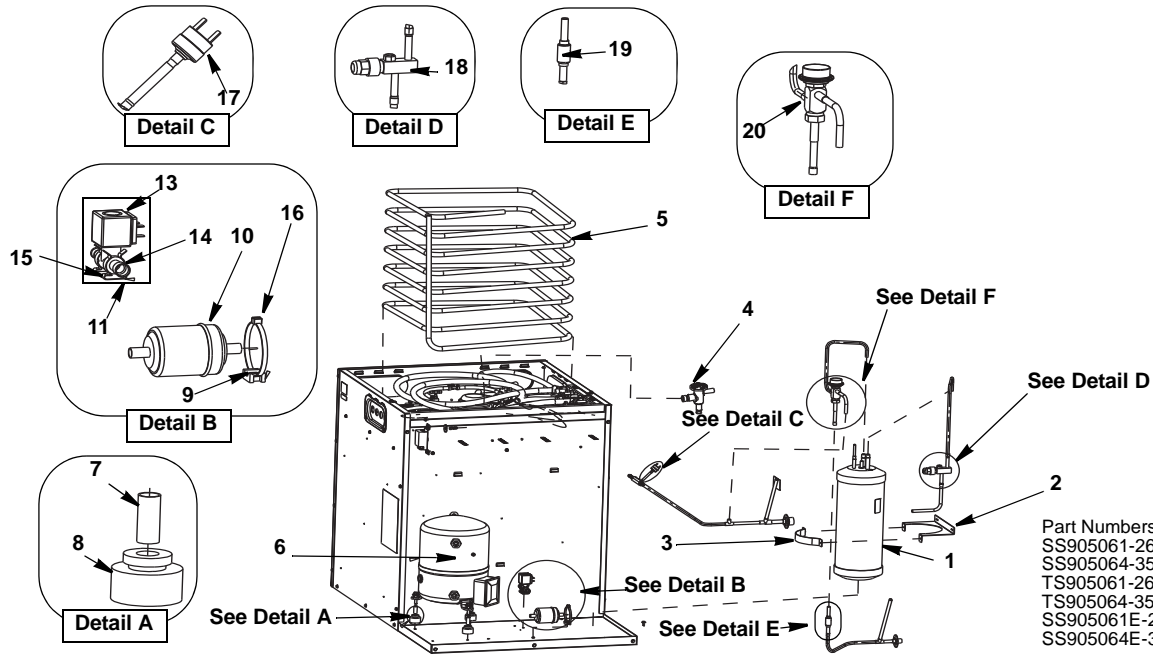


Part Numbers:  
 SS905062-263  
 SS905065-353  
 TS905062-263  
 TS905065-353  
 TS905062E-263  
 TS905065E-353

### DESCRIPTION

	<b>PART NO.</b>
1 Water/Rem Coupling Panel .....	000001363
2 Receiver Bracket .....	000001329
3 Receiver Port (2-1/8 OD x 15, 3/8) .....	8900353
4 Receiver Strap .....	6000541
5 Water Condenser .....	8253039
<b>6 Thermal Expansion Valve</b>	
a. Dual to Single Valve Conversion Kit .....	000003932
b. Single Valve Replacement .....	000002976
7 Evaporator Coil (50MA-R 404A) .....	3001793
<b>8 Compressor</b>	
a. Domestic - 2.20HP 230V, 3PH, 60Hz .....	00215457
b. International - 2.20HP 380V .....	00215922
<b>Detail A</b>	
9 High Pressure Cutout Control .....	2001243
<b>Detail B</b>	
10 Rubber Grommet .....	8503063
11 Sleeve (3/8 ID x 1.031" Long) .....	8503943
<b>Detail C</b>	
12 Water Regulating Valve .....	8372069
13 Coupling (1/2 Flare x 3/8 MPT) .....	8332033
14 Flare Nut (.50) .....	5003883
<b>Detail D</b>	
15 Mounting Base .....	5650613
16 Danfoss Drier DML-0535 .....	8930279
17 Plastic Cable Tie 15-1/8 50# .....	5650359

## SC2000R & SC2000RX (REMOTE COOLED PARTS)

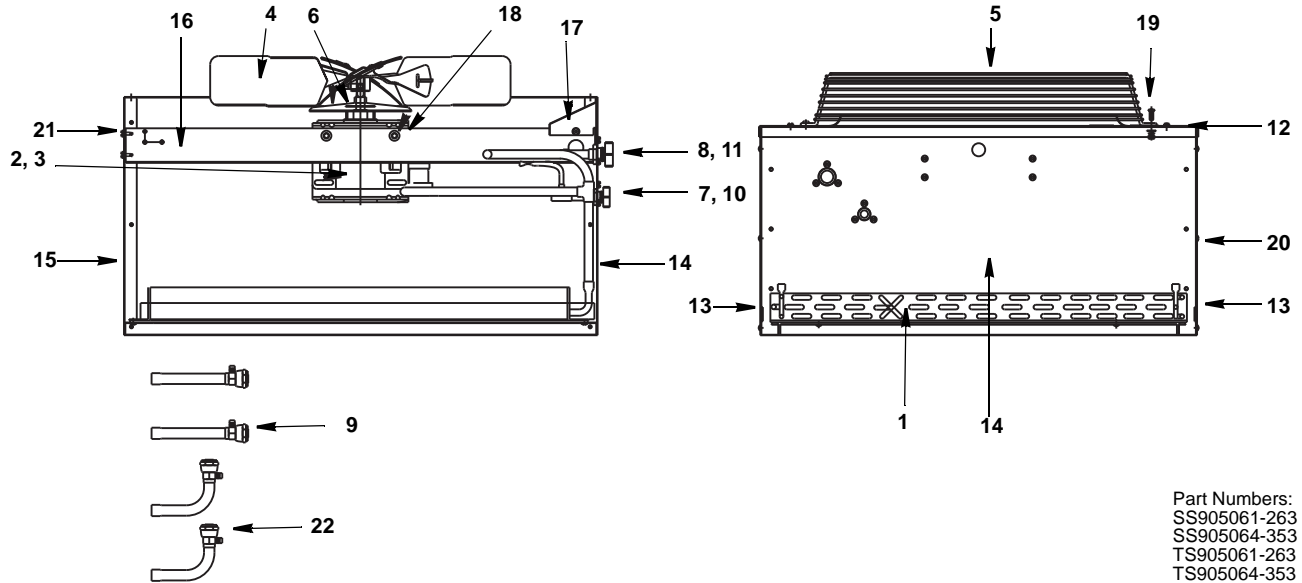


Part Numbers:  
 SS905061-263  
 SS905064-353  
 TS905061-263  
 TS905064-353  
 SS905061E-263  
 SS905064E-353

### DESCRIPTION

	<b>PART NO.</b>
1 Receiver (6.00" Dia x 16.00" Long) .....	8900003
2 Receiver Mounting Bracket .....	6000561
3 Receiver Mounting Strap .....	6307214
<b>4 Thermal Expansion Valve</b>	
a. Dual to Single Valve Conversion Kit .....	000003932
b. Single Valve Replacement .....	000002976
5 Evaporator Coil (50MA-R 404A) .....	3001793
<b>6 Compressor</b>	
a. Domestic - 2.20HP 230V, 3PH, 60Hz .....	00215457
b. International - 2.20HP 380V .....	00215922
<b>Detail A</b>	
7 Sleeve (3/8 ID x 1.031" Long) .....	8503943
8 Rubber Grommet .....	8503063
<b>Detail B</b>	
9 Mounting Base .....	5650613
10 Drier .....	8930279
<b>11 Liquid Line Solenoid Assembly Kit</b>	
a. 120VAC - Valve/Solenoid/Coupler For Units Prior to Serial 110952651 .....	7630031
b. 230VAC - Valve/Solenoid/Coupler For Units Prior to Serial 110952651 .....	7630091
12 Liquid Line Solenoid Wiring Harness - NOT SHOWN .....	000001460
13 Danfoss Coil (208-230V 50/60Hz) .....	000005157
<b>14 Refrigerant Solenoid Valve</b>	
a. Solenoid EVU4 Valve (.500 in - .375 out) For Units Prior to Serial 110952651 .....	8251373
b. Valve Refrigerant Solenoid EVUL3 (3/8in x 3/8in) For Serial 110952651 and Up .....	000006495
15 Danfoss Valve Bracket For Units Prior to Serial 110952651 .....	000000805
16 Plastic Cable Tie (Pkg Of 2) .....	5650359
<b>Detail C</b>	
17 High Pressure Cutout Control .....	2001243
<b>Detail D</b>	
18 Receiver Valve .....	8373163
<b>Detail E</b>	
19 Check Valve 3/8 OFD .....	8373149
<b>Detail F</b>	
20 Head Pressure Valve (180 Psi 3/8 ODF) .....	00209235
<b>21 Sensors</b>	
a. Suction Line Temp .....	020001991
b. Discharge Line Temp .....	020001991
c. Circ A Temp .....	020001991
d. Circ B Temp .....	020001991

## SC2000R & SC2000RX (REMOTE CONDENSER TS0895)



Part Numbers:  
 SS905061-263  
 SS905064-353  
 TS905061-263  
 TS905064-353  
 SS905061E-263  
 SS905064E-353

### DESCRIPTION

	<b>PART NO.</b>
1 Air Condenser .....	8850629
2 Fan Motor (208-230V 50/60 Hz/1 Ph) .....	2009673
<b>3 Fan Motor Run Capacitor</b>	
a. Emerson .....	8504583
b. Magnatec .....	N/A
4 Fan Blade .....	<a href="#">2416113</a>
5 Fan Guard .....	3400643
6 Rain Slinger .....	<a href="#">2415053</a>
7 Coupling – Male, 5/8-18 .....	8360343
8 Coupling – Male, 1-1/6-12 .....	8360353
9 Female Line Set Coupling Kit (Sold as Finished Goods Sales Kit) .....	Sales K0129

### Miscellaneous – Brackets, Screws, Etc.

10 Coupling Mounting Flange (for 5/8-18) .....	8360053
11 Coupling Mounting Flange (for 1-1/16-12) .....	8360063
12 Top Cover .....	6017751
13 Panel – Side .....	6017741
14 Panel – Rear .....	6017731
15 Panel – Front .....	6017721
16 Fan Motor Mounting Bracket .....	6017681
17 Electrical Box Cover .....	6017761
<b>18 Fan Motor Mounting Screw (5/16-18 x 5/8)</b> .....	<b>5035659</b>
a. Fan Motor Mounting Flatwasher .....	5573099
b. Fan Motor Mounting Lockwasher .....	5573139
c. Fan Motor Mounting Hexnut .....	5429759
<b>19 Fan Guard Mounting Screw (1/4-20 x 5/8)</b> .....	<b>5033459</b>
a. Fan Guard Mounting Flatwasher .....	5573049
b. Fan Guard Mounting Lockwasher .....	5545119
c. Fan Guard Mounting Hexnut .....	5429529
<b>20 Panel/Condenser Mounting Screw (#8 x 1/2)</b> .....	<b>5121539</b>
a. Panel/Condenser Mounting Lockwasher .....	5544599
21 Screw (#10-24 x 1/2) .....	5202069
22 Valve Cores (used in linesets) .....	<a href="#">7626843</a>
23 Legs (Not shown) .....	6017691