



## **S Series Ice Dispenser Parts List for Models**

**S-150**

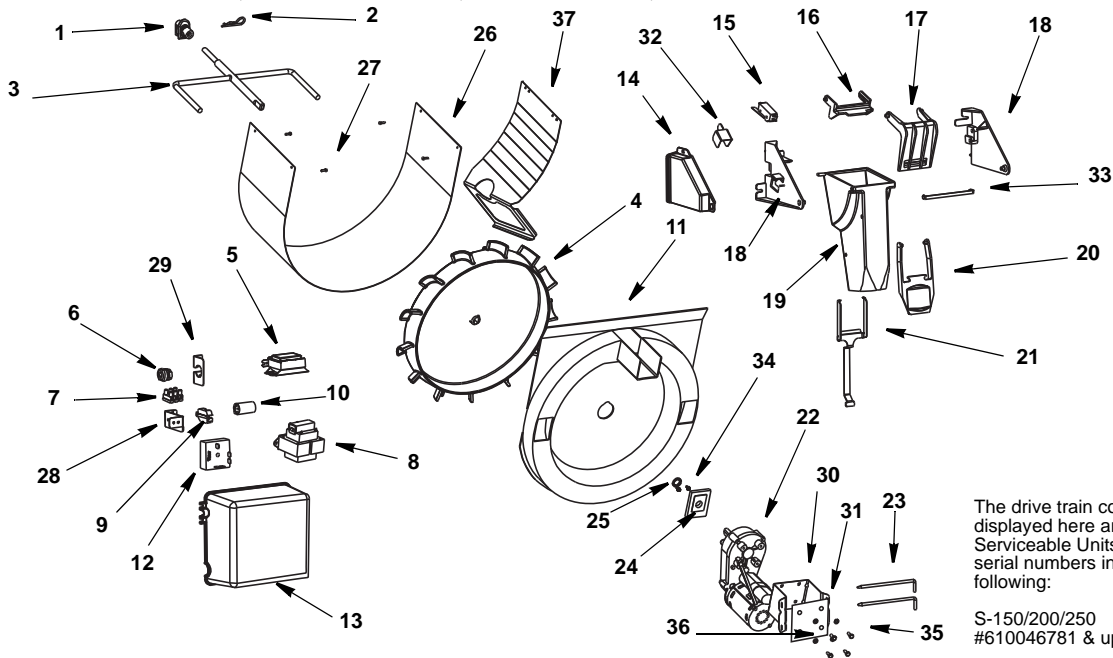
**S-200**

**S-250**

**S-200 Marine**

**S-250 Marine**

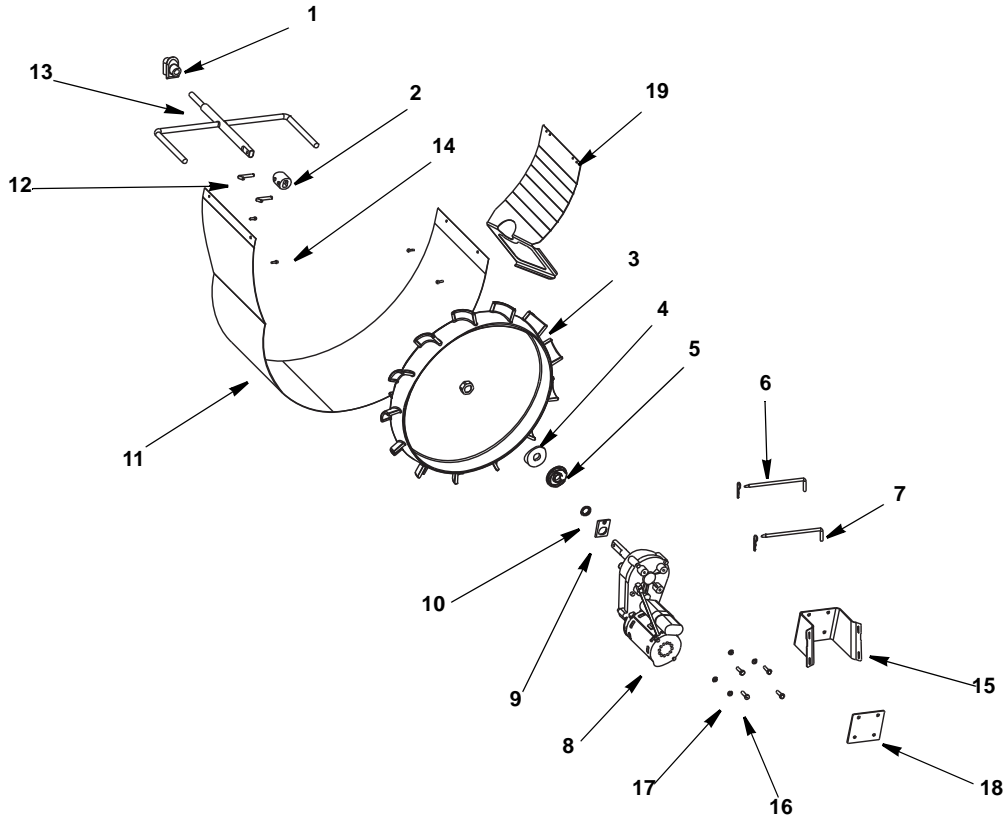
# S-150/200/250 BIN, DRIVE TRAIN, ICE CHUTE, & ELECTRICAL COMPONENTS



## DESCRIPTION

DESCRIPTION	PART NO.
1 Mushroom Bushing Injection Molded	020001418
2 Clip Hitch Pin	020001415
3 Agitator	020001568
4 Paddle Wheel Plastic Dbl D	020001423
5 <b>Ballast</b>	
a. 115V/60Hz	5008644
b. 220V/50Hz	5000348
c. 220V/60Hz	5000349
d. 240V/50Hz	5000350
e. 240V/60Hz	5000351
6 <b>Cord Strain Relief</b>	
a. Standard	1200301
b. European	5000836
7 Terminal Block - European Only	5000837
8 Transformer - 240V with Breaker	5007111
9 Starter Base	020002168
10 Starter Lev FS2	1001005
11 <b>Paddle Wheel Area</b>	
a. S-150	5031701
b. S-200/250	5027733
12 Non-adjustable Agitation Timer - 115V/230V	020000222
13 Electrical Box Cover	5028992
14 Microswitch Guard	5029622
15 Microswitch	1000703
16 Lock Rocking Chute Door	5002509
17 Door Rocking Chute	5002508
18 Kit RC Brackets 5V-A (Includes The Two New Brackets, Cover, Screw)	020002673
19 Chute RC Narrow	5004850
20 Lever Rocking Chute Narrow	5004851
21 Sanitary Lever	5008399
22 Front Serviceable Motor	
a. 115V	020003596
b. 220V/240V Double D Shaft	020001517
23 Retaining Pin	4140023
24 Gasket (9.75) Retainer Seal	5000725
25 Seal Motor Shaft	5012913
26 <b>Bin Liner</b>	
a. S-150	5031415
b. S-200/250	5030905
<b>Miscellaneous - Brackets, Screw, etc.</b>	
27 Screw 8-32 X 1/2" Knurl Un-slotted	5000711
28 <b>Starter Base Bracket</b>	
a. S-150/200/250	5030304
b. S-200/250 Marine Unit	020001974
29 <b>Bracket Strain Relief</b>	
a. S-150/200/250	5028998
b. S-200/250 Marine Unit	020001969
30 <b>Mount Motor</b>	
a. S-150/200	5030951
b. S-250	5030613
31 Mount Motor Plate (S-250 Only)	5030654
32 Bracket Ret Microswitch Splh Gd	5030228
33 Bracket Rocking Chute Outer	5031384
34 Screw #8-32 X 3/8 Lg Sltd Hex	00850430
35 Bolt 1/4-20 x 5/8" Ss Hhcs	0900601
36 Washer Lock 1/4in Ss	0901904
37 Bin Liner Support (S-250 Only)	5030704

# S-150/200/250 NON-FRONT SERVICEABLE DRIVE TRAIN



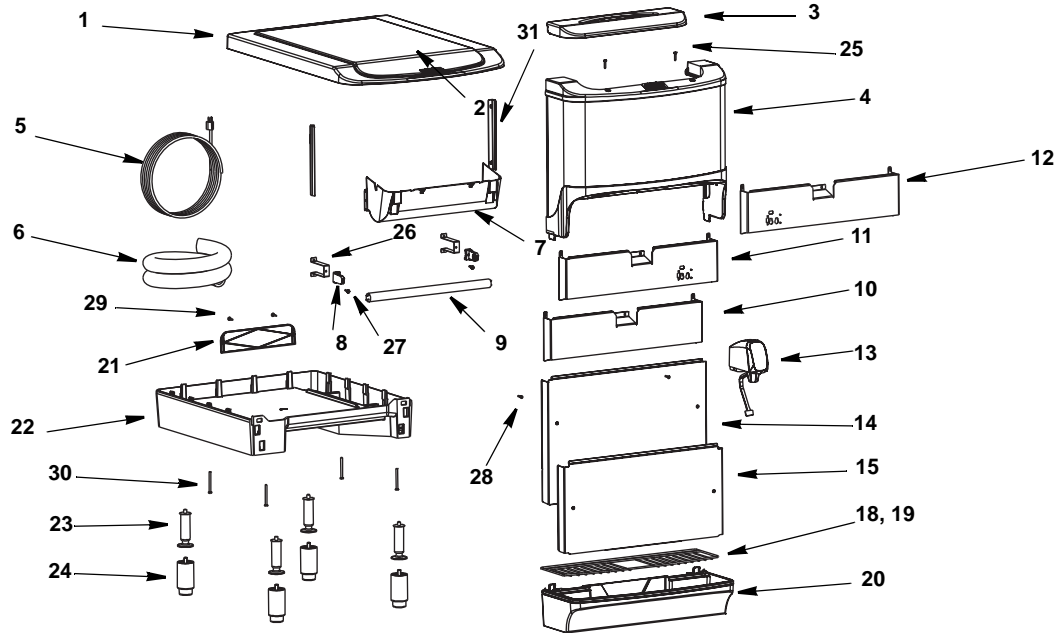
The drive train components displayed here are for Non-Front Serviceable Units. Model & serial numbers include the following:

S-150/200/250  
#610046780 & earlier

## DESCRIPTION

	<b>PART NO.</b>
1 Bushing Mushroom Injection Molded . . . . .	0101702
2 Coupling Double D . . . . .	5028475
3 Paddle Wheel Plastic Dbl D . . . . .	5012544
4 Spacer . . . . .	5030785
5 Bushing Paddle Wheel Area . . . . .	5029846
6 Clip Hitch Pin . . . . .	5012374
7 Pin Retaining . . . . .	5030743
8 Motor 115v Dbl D Shaft . . . . .	020003651
9 Retainer Oil Seal - Kit. . . . .	5001819
10 Seal Motor Shaft . . . . .	5012913
<b>11 Bin Liner</b>	
a. S-150 . . . . .	5031415
b. S-200/250 . . . . .	5030905
12 Pin 1/4" X 90 Deg Retaining. . . . .	5028693
13 Agitator. . . . .	5028476
<b>Miscellaneous - Brackets, Screw, etc.</b>	
14 Screw 8-32 X 1/2" Knurl Unslotted. . . . .	5000711
<b>15 Mount Motor</b>	
a. S-150/200 . . . . .	5030951
b. S-250 . . . . .	5030613
16 Screw 1/4-20 X 7/8" Hex Hd . . . . .	00850917
17 1/4 Lock Washer . . . . .	0901904
18 Mount Motor Plate (S-250 Only) . . . . .	5030654
19 Bin Liner Support (S-250 Only) . . . . .	5030704

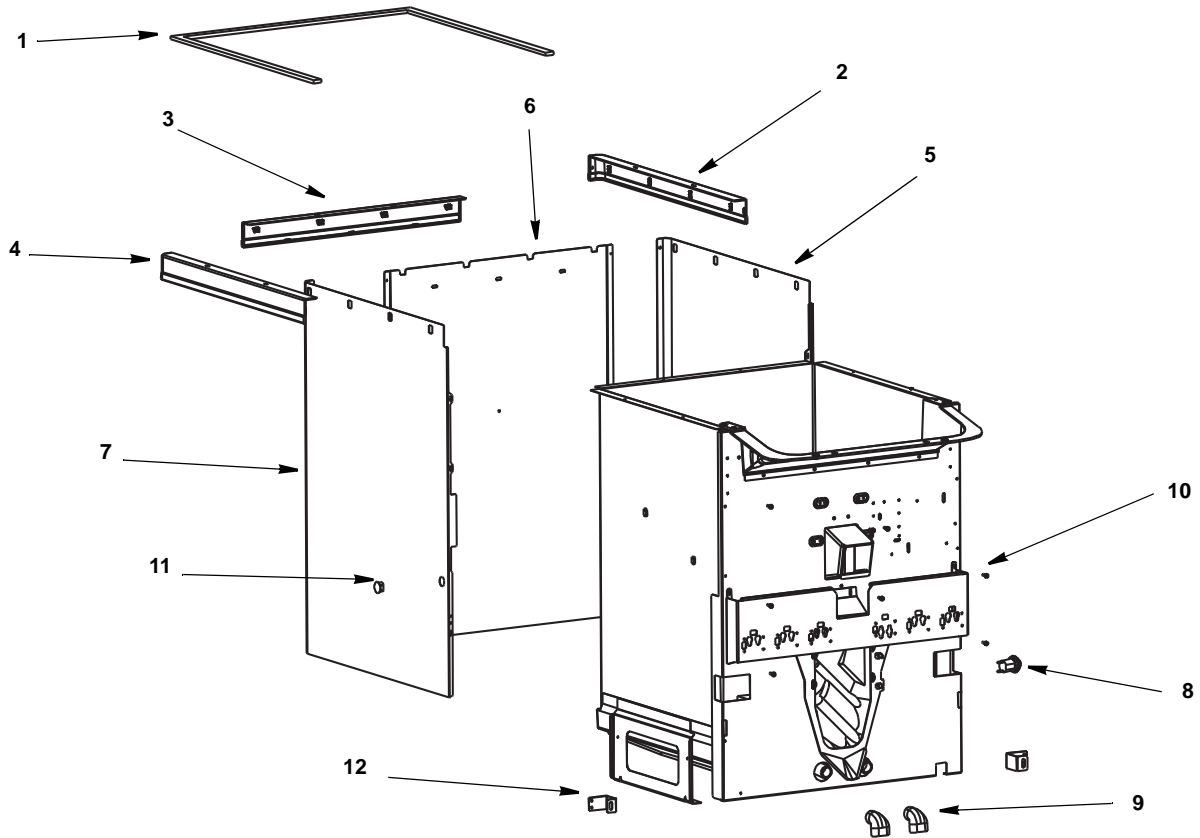
# S-150/200/250 MERCHANDISER, CAPS, LID, SPLASH PANELS, & BASE



## DESCRIPTION

DESCRIPTION	PART NO.
<b>1 Lid</b>	
a. S-150	5012177
b. S-200/250	5012179
<b>2 Sticker "danger Tag"</b>	0301249
<b>3 Manual Fill Ice Lid (Black)</b>	5012116
<b>4 Merchandiser Complete</b>	
a. S-150	5012117
b. S-200	5012123
c. S-250	5029484
<b>5 Cord Electric ( Agit Mtr )</b>	5008642
<b>6 Drain Kit</b>	
a. Regular	2602528
b. Extended Splash Panel	5031376
<b>7 Manual Fill Area Lower</b>	5029732
<b>8 Socket End Light</b>	1001001
<b>9 Fluorescent Tube</b>	
a. S-150 (18")	1000309
b. S-200/250 (24")	5012827
<b>10 Cap Valve Mount</b>	
a. S-150	020000297
b. S-200/250	5030354
<b>11 Cap Valve Mount w/Right Water (Ice Only)</b>	
a. S-150	020000298
b. S-200/250 with 424 Valves	5030812
c. S-200/250 with 202 Valves	020002206
<b>12 Cap Valve Mount w/Left Water (Ice Only)</b>	
a. S-200/250 with 424 Valves	5031080
b. S-200/250 with 202 Valves	020002204
<b>13 Vlv 424ju Mech W/gp Cvr</b>	5028930
<b>14 Panel Splash Ext</b>	
a. S-150	5012959
b. S-200/250	5013288
<b>15 Panel Splash</b>	
a. S-150	5031700
b. S-200/250	5012473
<b>16 S-150</b>	5012249
<b>17 S-200/250</b>	5012250
<b>18 Grid</b>	
a. S-150	5012249
b. S-200/250	5012250
<b>19 Reduced Spacing Grid</b>	
a. S-200	020001796
b. S-250	020000156
<b>20 Drainpan</b>	
a. S-150 (23") w/ Gasket	020000156
b. S-200/250 (30") w/ Gasket	020000900
<b>21 Plate Base Rear Cover</b>	
a. S-150	5012154
b. S-200/250	020000408
<b>22 Base</b>	
a. S-150	020000185
b. S-200/250	020000399
<b>23 Leg 3/8 - 16 X 4</b>	5013595
<b>24 Leg 2" Dia X 4-6" W/ 3/8-16 Stud</b>	020000398
<b>Miscellaneous - Brackets, Screw, Etc.</b>	
<b>25 Scr 8-32 X 7/8" Slit Knurl Black</b>	5007698
<b>26 Bracket Lt Socket</b>	
a. S-150/200/250	7050046
b. S-200/250 Marine Unit	020002150
<b>27 8-32 X 1/2 Flat Head Screw</b>	0900504
<b>28 8-32 X 1/2 Flat Head Screw</b>	5012944
<b>29 Scr #8x3/4" Ph Tr Hd A Blk</b>	5007697
<b>30 12 X 2 1/2 Pan Head Screw</b>	5027731
<b>31 Medalion Support Bracket</b>	
a. S-150/200/250	5030890
b. S-200/250 Marine Unit	020002150

## S-150/200/250 PANELS & TRIM



### DESCRIPTION

	<b>PART NO.</b>
<b>1 Gasket (Rectangular Profile)</b>	
a. S-150 .....	5007756_150
b. S-200/250 .....	5007756
<b>2 Trim Cosmetic Top Right (Black)</b> .....	5011890
<b>3 Trim Cosmetic Top Back</b>	
a. S-150 .....	5012164
b. S-200/250 .....	5012150
<b>4 Trim Cosmetic Top Left (Black)</b> .....	5011889
<b>5 Panel Side Right</b>	
a. S-150 .....	020000950
b. S-200/250 .....	020001455
<b>6 Panel Rear</b>	
a. S-150 .....	5012418
b. S-200/250 .....	020000503
<b>7 Panel Side Left</b>	
a. S-150 .....	020000949
b. S-200/250 .....	020001456
<b>8 Key Switch</b> .....	5000220
<b>9 Elbow 90 Degree Rubber</b> .....	5010337
<b>Miscellaneous - Brackets, Screw, Etc.</b>	
<b>10 Screw 8-32 X 1/2</b> .....	5011940
<b>11 Heyco Plug</b>	
a. S-150 .....	1200322
b. S-200/250 .....	1200303
<b>12 Clip Splash Panel</b>	
a. S-150/200/250 .....	5028398
b. S-200/250 Marine Unit .....	020001967