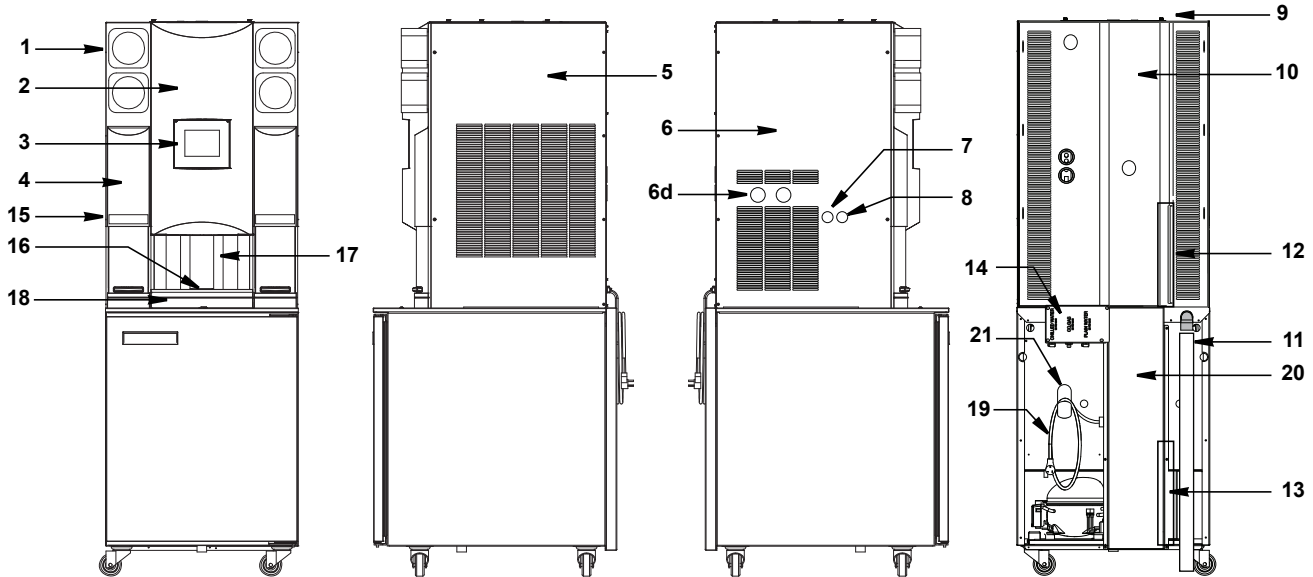




Blend-In-Cup (BIC) Parts List for Models

MB-8-1	MB-8-2
MB-8-1A	MB-8-2A
MB-8-1E	MB-8-2E
MB-8-1D	MB-8-2D
MB-8-1U	MB-8-2U
MB-8-1P	MB-8-2P
MB-8-1PP	MB-8-1BF
MB000A01	MB000A02
MB000A03	MB000A04
MB000A05	MB000A06
MB000A07	MB000A08
MB000A09	MB000A10
MB000A11	MB000A12
MB000A13	

PANELS, COVERS, CORDS & MISCELLANEOUS PARTS

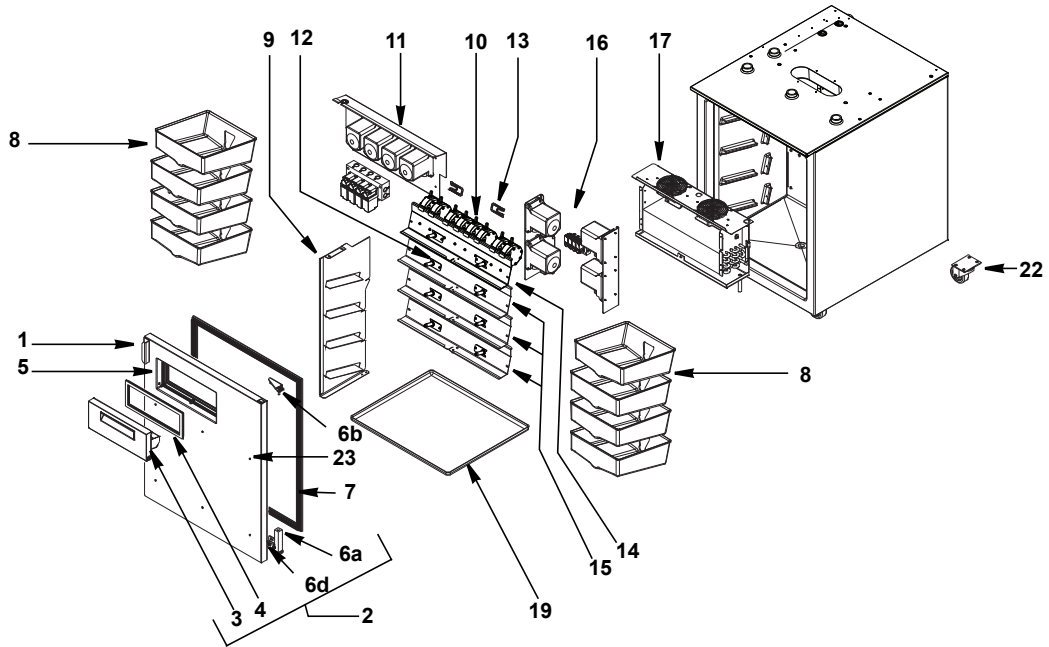


DESCRIPTION

PART NO.

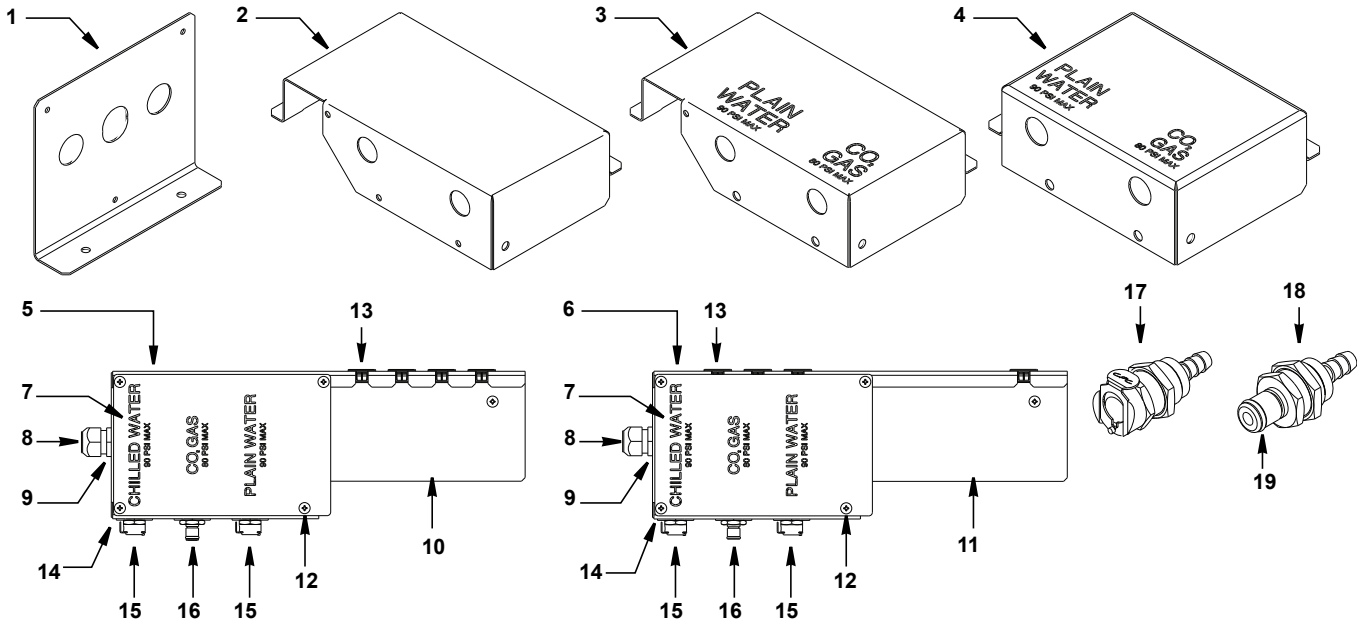
1	Adjustable Cup Dispenser Housing	
a.	Single Adjustable Cylinder Housing - Black	1706372
b.	Single Adjustable Cylinder Housing - Gray	1706175
2	Front Upper CNT Fascia	1708525
3	UI Assembly	
a.	QTS Low Res Screen	2195292
b.	Mid Res Screen	2195348
c.	UI Mounting Screws	020004973
4	Front Blender Upper	1708531
5	Panel, Right-Hand, Upper	
a.	Dual Spindle Units Before Serial # 1201150000000	359-CCJ-0006
b.	Dual Spindle Units Serial # 1201150000000 and After 1/28/13	272-CCJ-000C
c.	Single Spindle Units Before Serial # 1201150000000	359-CCJ-0008
d.	Single Spindle Units Serial # 1201150000000 and After 1/28/13	272-CCJ-000E
6	Panel, Left-Hand, Upper	
a.	Before Serial # 1201150000000	359-CCJ-0007
b.	With See-thru Gauge Plug - Serial # 1201150000000 and After	272-CCJ-000D
c.	For Models MB000A12 & MB000A13	272-CCJ-000T
d.	Clear See-thru Plug Serial # 1201150000000 and After	9321704
7	USB Connection Cable, 3ft	2186901
8	ON/OFF Power Toggle Switch	2194400
9	Top Panel Assembly, Removable	027-BZZ-000C
a.	Holding Screws	020004972
10	Back Panel	
a.	Before Serial # 1108150000398	359-BZZ-0004
b.	Serial # 1108150000398 to 1201150000000	027-CDU-000K
c.	Serial # 1201150000000 and After	027-CDU-000P
d.	For MB000A03, MB000A04, MB000A05	027-CDU-000Q
e.	For Models MB-8-1PP & MB000A06	027-CDU-000Y
f.	For R404A 220V/60Hz MB-8-1BF, MB000A07, MB000A08	027-CDU-0018
11	Drain Tubing (8 ft)	1702020
12	Upper Air Filter 14.5 x 13.00	3239692
13	Lower Air Filter 9.62 X 9.00	3239693
14	Connections Box	(See Page 4)
15	Label - Blender Safety Warning	9291355
16	Grate, Dispense Area	1708535
17	Dispense Enclosure	1708528
18	Base, Dispense Area	1706346
19	Cord/Plug	
a.	US 14/3, 5-20P, 10'	2183849
b.	UK Plug/Cord (Plug, Pin & Sleeve) for Models MB-8-1P MB-8-2P MB-8-1PP MB-8-1BF	000-BIC-0039
c.	Euro Plug/Cord for Models MB-8-1E & MB-8-2E	2183850
d.	Australia Plug/Cord for Models MB-8-1A & MB-8-2A	2183851
e.	India Plug/Cord for Models MB-8-1D & MB-8-2D	2183852
f.	UK Plug/Cord for Models MB-8-1U & MB-8-2U	2183853
20	Cover, Refrigeration Lines Back	
a.	For MB-8-1, MB-8-2, MB-8-1E, MB-8-2E, MB-8-1A, MB-8-2A, MB-8-1D, MB-8-2D, MB-8-1U, MB-8-2U, MB-8-1P, MB-8-2P, MB000A01, MB000A02	028-CCZ-0004
b.	For MB000A03, MB000A04, MB000A05, MB-8-1PP, MB-8-1BF	028-CCZ-0009
Miscellaneous - Brackets, Screws, etc.		
21	Cord Hook Bracket	263-428-0000
22	Hose Bracket (Not shown)	372-102-0006
23	Ring, Snap, 11/16 Shaft (Not shown)	9324111
24	Socket, Drive, Dispenser (Not shown)	3237384
25	Label, CO2 Gas Hose (Not shown)	9291379
26	Label, Water Hose (Not shown)	9291380

CABINET & DOOR



DESCRIPTION	PART NO.
1 Handle	
a. Plate (Right or Left)	024-CEL-0001
b. Handle, S/S (Right or Left)	372-428-0007
2 Complete Door Assemblies	
a. Standard Door - Right Hinge	000-187-0019
b. With Whip Cream Door - Right Hinge (MB000A01)	000-187-0014
c. With Whip Cream Door - Right Hinge (MB000A02)	000-187-000A
d. With Whip Cream Door - Left Hinge (MB000A01)	000-187-0018
e. With Whip Cream Door - Left Hinge (MB000A02)	000-187-000C
3 Whip Cream Door	
a. Standard Size (MB000A01)	000-187-0016
b. Large Door (MB000A02)	000-187-000H
4 Whip Cream Door Gasket	
a. Standard Size (MB000A01)	1706209
b. Large Door (MB000A02)	1708568
5 Whip Cream Door Insert	
a. For Models with Small Door MB000A01	1706191
b. For Models with Large Door MB-8-1PP & MB000A06	1708573
6 Hinge Kit	RF000066
a. Concealed Cart. Hinge	3237516
b. Top Right-Hand Pivot Bracket	3234228
c. Top Left-Hand Pivot Bracket	3234229
d. Bottom Right-Hand Hinge Bracket	3234226
e. Bottom Left-Hand Hinge Bracket	3234227
7 Door Gasket	1706208
8 Horizontal Product Bin	1706268
a. Product Bin Label Kits	(See Page 19)
9 Center Bin Support Plate Assembly Welded	020005796
10 Expansion Valve, Product, Beverage	(See Page 7)
11 Top Valve & Pump Assembly	(See Page 7)
12 Product to Pump Fitting	3547808
13 Product Tube Holding Plate	270-CCQ-0033
14 Product Stop Shelf, Top, with Expansion Valve Mount	(See Page 7)
15 Product Stop Shelf	372-CDY-0003
16 Lower Pump Assembly	(See Page 7)
17 Evaporator Coil Assembly	(See Page 8)
18 Refrigerator Lines Back Cover	028-CCZ-0000
19 Product Drip Pan	076-CDZ-0000
20 17.0 Oetiker Clamp, for 1/2" OD Tubing (Not shown)	9324097
21 Clear Tubing, 9/16" OD x 5/16" ID (Not shown)	1702023
22 Caster, 3" Diameter, Plate, Swivel, Brake, Polyolefin	MCP00175
Miscellaneous – Brackets, Screws, etc.	
23 Syrup Rail Mounting Screws	9324085
24 Chrome Plated Acorn Nut, #10-24 (Not shown)	9321041
25 Screw (for Acorn Nut), #10-24 x 5/16	9324409

WATER & CO2 CONNECTION BOX



DESCRIPTION

Complete Utility Hookup & Cleaning Box Assemblies

	PART NO.
1 Bracket Only, Used on Units Before Serial # 1108150000398	025-CDU-000H
2 Used on Units Serial # 1108150000398 to 1108150000457	025-CDU-000L
3 With Etched Connection Labels Used on Units Serial # 1108150000458 and After	372-CDU-000L
4 For MB000A03, MB000A04, & MB000A05 Only (Non-CIP).	372-CDU-000R

5 Units with Clean-In-Place (CIP)

a. R290 Models MB-8-1PP, MB000A06	000-BIC-004C
b. R404A Models MB000A10 & MB000A11 Domestic	000-BIC-003H

6 Non-CIP

a. For MB-8-1BF, MB000A07, MB000A08, R404A	000-BIC-004W
--	--------------

Miscellaneous – Brackets, Screws, etc.

7 Cover, Utility, Cleaning	358-CDU-000X
8 Strain Relief	MCP00155
9 Locknut, Conduit 1/2"	2194064

10 CIP Box, Back, Utility, Cleaning

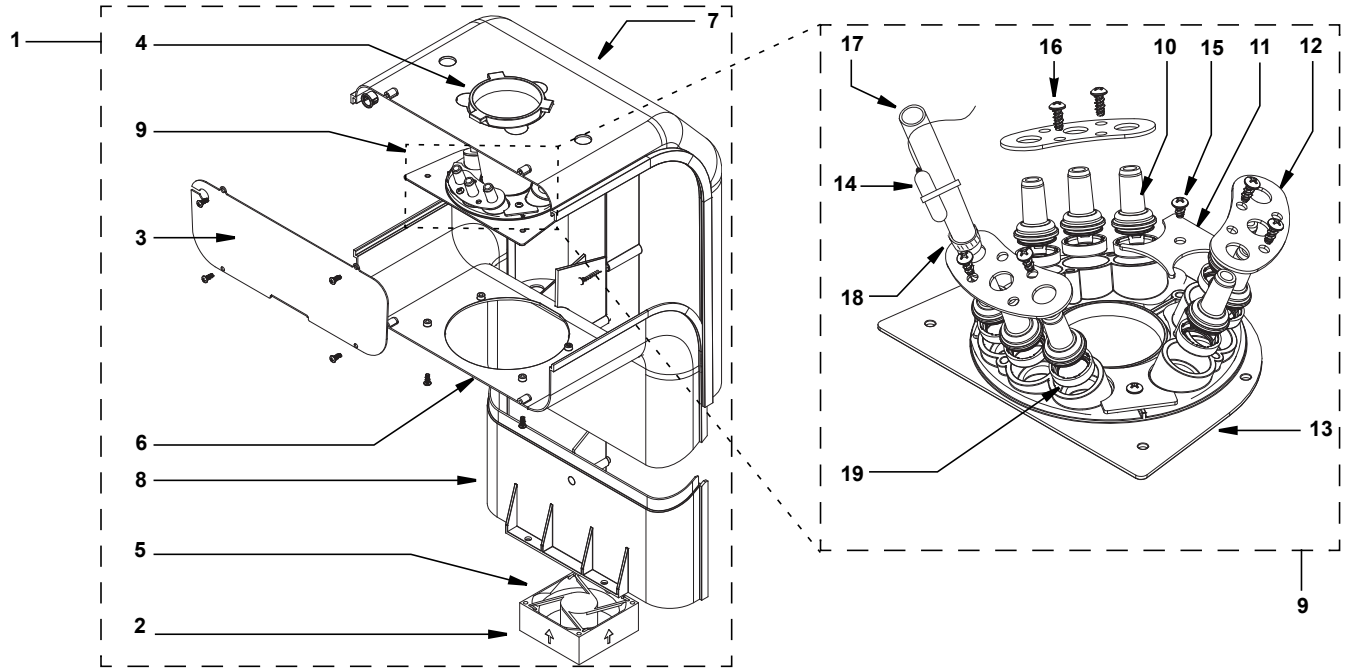
a. R290, CIP	025-CDU-000W
b. R404A, Domestic, CIP	025-CDU-001D

11 Non-CIP Box, Back, Utility

a. R404A, 220V/60HZ, Non-CIP	025-CDU-0019
--	--------------

12 Screw, #8-32X 50, S-P-TR-M.	9321007
13 Snap Bushing, .875", Black	9321199
14 Washer, Sensor Shield	265-CDU-0016
15 Water Coupling Connection Box, Female, 1/4" Barb	3237375
16 CO2 Coupling Connection Box, Male, 1/4" Barb	3237385
17 Water Coupling Line In, Male, 3/8" Barb	MCP00246
18 CO2 Coupling Line In, Female, 3/8" Barb.	3547347
19 Quick Connect O-Ring	MCP00262

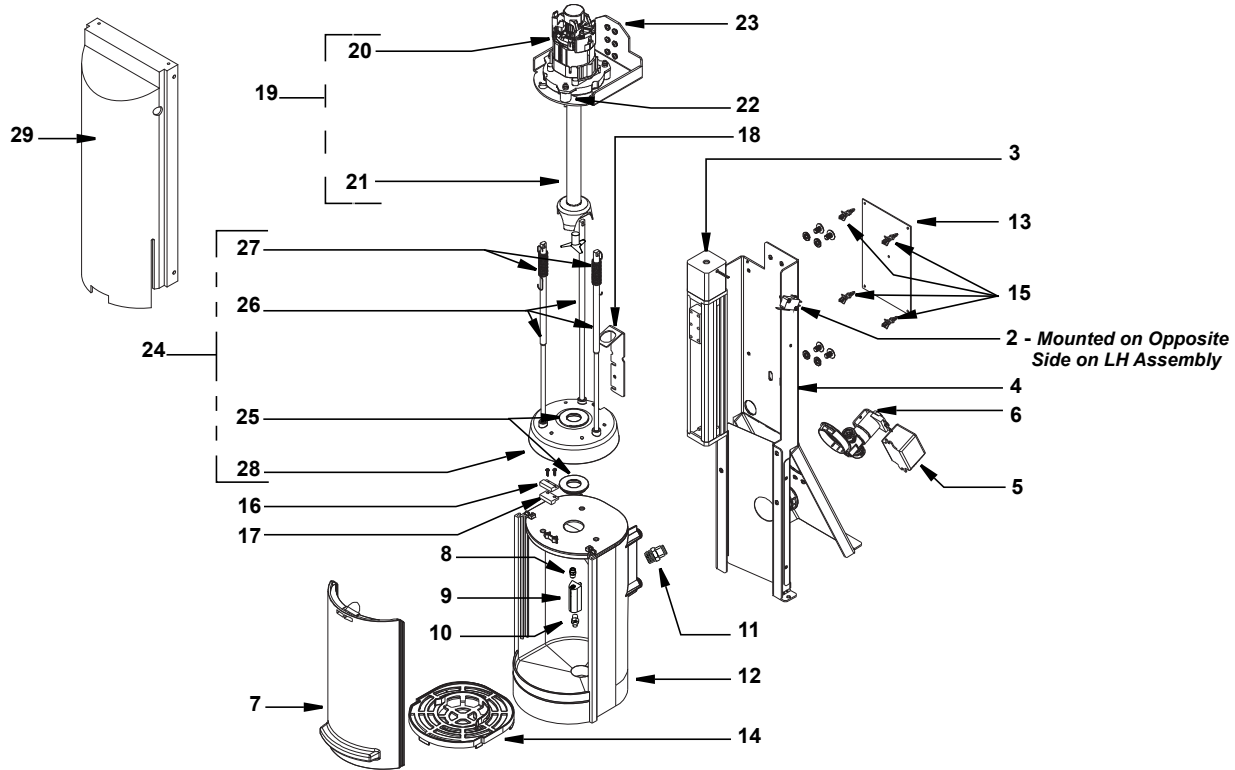
AIR / PRODUCT DUCT ASSEMBLY & DISPENSE PLATE



DESCRIPTION

DESCRIPTION	PART NO.
1 Complete Refrigeration Duct Assembly	000-BIC-0017
2 Wire Fan Guard 3-1/8"	3978124
3 Cover, Duct, BIC	019-CCZ-0005
4 Ice Dispenser Nozzle	1708518
5 Fan, Axial, 80 x 80 x 32	2162730
6 Cold Air Duct, Front	1708521
7 Cold Air Duct, Back	1708520
8 Lower Duct, Front	1708523
9 Complete Dispense Plate Assembly	000-BIC-0029
10 LMS Valve Dispense Outlet	1706172
11 Plate, Nozzle Block	372-CCQ-0032
12 Bracket, Dispense Head	372-CCQ-000P
13 Plate, Dispense, Welded	1708545
14 Harness, Temp, Probe, Sensor (Top Product Temp)	2186900
Miscellaneous – Brackets, Screws, etc.	
15 Screw, Hi-Low, #8 x.250"	9324087
16 Screw, Hi-Low, #8 x.375"	9324088
17 Product Tubing, 9/16 OD x 5/16 ID, Clear	1702023
18 17.0 Oetiker Clamp, for 1/2" OD Tubing	9324097
19 1 Red LMS Valve	1708542
20 Screw, Hi-Low, #8 x 0.75" (Not shown)	9324088
21 Screw, Hi-Low, #8 x 1.75" (Not shown)	9324091
22 Snap Bushing.50" Black (Not shown)	9321202

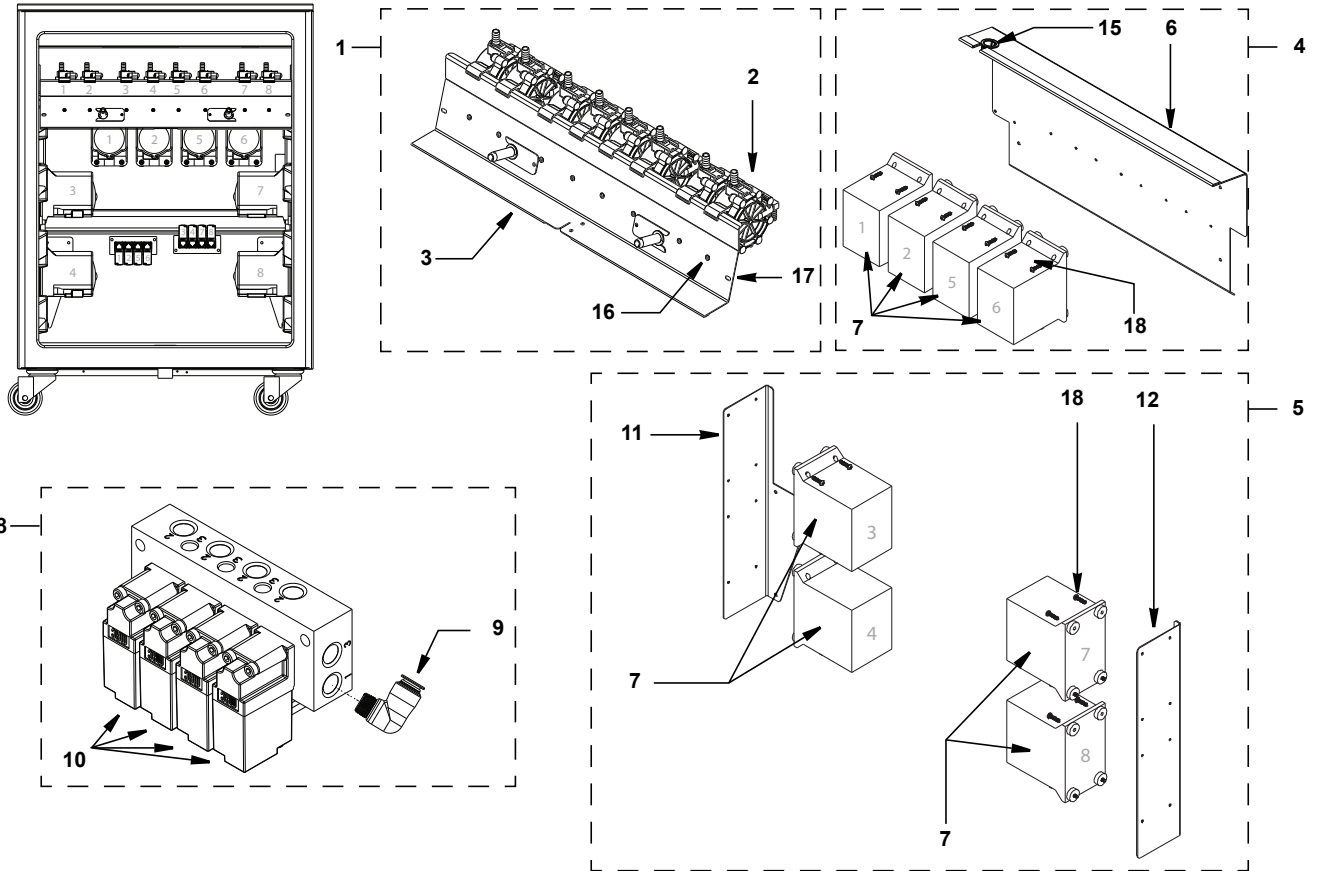
MIXER MODULE ASSEMBLY



DESCRIPTION

	DESCRIPTION	PART NO.
1	Complete Mixer Module Assemblies	
a.	Left Hand Module - 120/60	000-BIC-005Y
b.	Right Hand Module - 120/60	000-BIC-005Z
c.	Left Hand Module - 220/50	000-BIC-0052
d.	Right Hand Module - 220/50	000-BIC-0053
2	Switch, Snap Action, Mini	2194807
3	Linear Rail Actuator System	3239648
4	Linear Actuator Bracket	
a.	Left Hand Bracket	023-CDU-000K
b.	Right Hand Bracket	023-CDU-000J
5	Relay	
a.	Models with CIP: 24VDC Coil DPDT	2196069
b.	All other Models: 24VDC Coil	2196034
6	Valve, Solenoid, Water, 1/4"	3547753
7	Sliding Door	1708516
8	Top Nozzle, Cone Spray	3547803
9	Spray Nozzle Manifold	3547802
10	Bottom Nozzle, Flat Spray	3547817
11	1/8 MPT x 1/4 PTC John Guest Fitting	3547773
12	Blender Housing	1708544
13	Blender Control Board	2195294
14	Partition Drain Cover	1708517
15	1 Board Standoff, Spacer, PCB, Snap In, 3/8"	9324163
16	Switch, Reed, Rinse Area (Grey Wire)	2162748
17	Switch, Reed, Rinse Area (White Wire)	2162732
18	Harness Bracket	270-CDU-000M
19	Mixer Motor Assembly with Shaft & Blade	
a.	120V Motor, Shaft Blade Only	3239684
b.	120V Kit, includes, isolators, washers, nuts, wire ties	020004536
c.	230V Motor, Shaft Blade Only	3239770
d.	230V Kit, includes, isolators, washers, nuts, wire ties	020004535
20	Mixer Motor	
a.	120V Motor Only	4039161
b.	120V Motor Kit, No Shaft	020004534
c.	230V Motor Only	4039162
d.	230V Motor Kit, No Shaft	020004533
21	Mixer Shaft with Blade Assembly	4039160
22	1 Isolation Motor Mount	9324159
23	Mixer Motor Mount Bracket	379-CDU-000I
24	Complete Rinse Cap Assembly	000-BIC-004I
25	Wiper, Blender Shaft	1708552
26	Cup Cover Guide Rod	3239682
27	Blend Compartment Spring	3239683
28	Blender Assembly Cap	1708548
29	UL Blender Shield	1708543

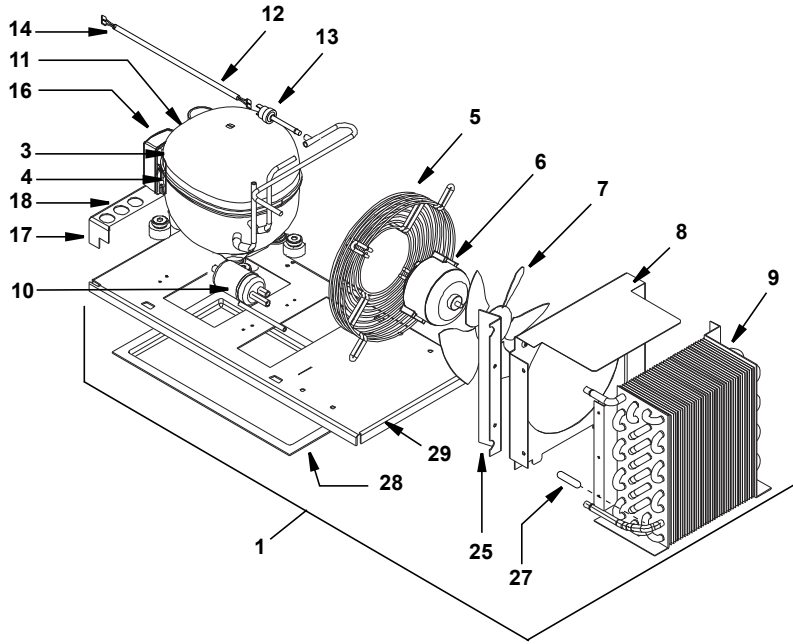
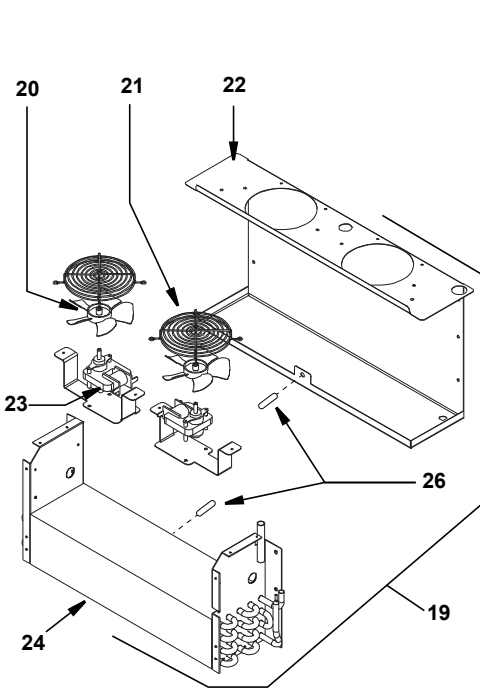
BASE CABINET, VALVE & PUMP ASSEMBLIES



DESCRIPTION

	PART NO.
1 Complete Expansion Valve Assembly	000-BIC-002J
2 Single Expansion Valve	3239690
3 Product Stop Shelf, Top, with Expansion Valve Mount	372-CDY-0030
4 Complete Top Pump Assembly	000-CDS-0030
5 Complete Lower Pump Assembly	000-CDS-0031
6 Evaporator Cover	380-CD5-0003
7 Pump Assembly Kit	000-BIC-001K
a. Pump, Flojet	3239675
b. Pump Restrictor, White	3239680
8 Complete 4 Position Solenoid Assembly with Fittings, Large Exhaust	3239691
9 Fitting, 1/4" x 1/8", 90, MPT TO P-T-C	3547767
10 Single Solenoid Valve Replacement Kit	020005547
11 Fixture, Pump, Lower, Left-Hand	380-CDW-0005
12 Fixture, Pump, Right-Hand, Lower	380-CDW-0006
Miscellaneous – Brackets, Screws, etc.	
13 10.5 Oetiker Clamp, for 3/8" OD Tubing Air (Not shown)	9324095
14 17.0 Oetiker Clamp, for 1/2" OD Tubing In Lines (Not shown)	9324097
15 Bushing, 1", Snap HEYCO	9321198
16 Screw, Hi-Low, #8 x .375"	9324088
17 Screw, #10 x 0.50, S--H-HW-TEK	9321353
18 Screw, #8-32 x 3/4", S-P-PN-F (Product Pump Mounting)	9324104
19 CO ₂ Tubing, 3/8" OD x 1/4" ID, Clear Blue (Not shown)	1702022
20 Fitting, 3/8" Expansion Valve Air Tubing Tee, PTC, (Not shown)	3547812

LOWER CABINET EVAPORATOR COIL & CONDENSING UNIT ASSEMBLIES

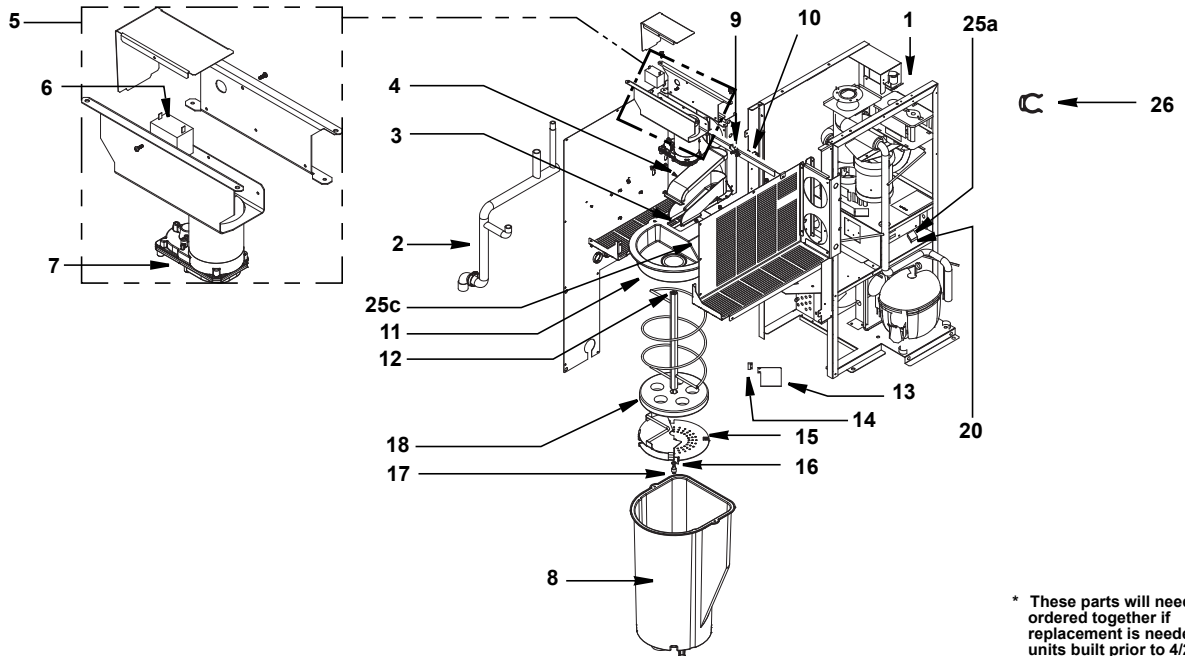


DESCRIPTION

1 Condensing Unit Assembly

	PART NO.
a. R-404A 115V/60Hz	000-BN5-0004
b. R-404A 220V/50Hz	000-BN5-0006
c. R-404A 220V/60Hz	000-BN5-000A
d. R-290 220V/50Hz	000-BN5-0047
2 Armaflex 0.625 ID x .25 Wall (48" for Condensing Unit)	1701999
3 Compressor Relay	
a. 115V - Danfoss TF4CLX	3516446
b. 220V - Danfoss N225 R404A for compressor 3526994	3516452
c. 230V/50Hz - R290	3516465
4 Start Capacitor	
a. 115V - 280MFD	2194787
b. 220V - Danfoss 230V/50Hz R290	3516451
5 Guard, Fan, 7.25"	2160020
6 Fan Motor	
a. 9W, 115V, CW (comes with fan nut)	2162717
b. 9W, 230V (comes with fan nut)	2162720
7 Blade, Fan, 7.25" Diameter	3516457
8 Shroud, 1/5 HP Cond. Coil	026-C58-0001
9 Coil, Condenser	3517381
10 Drier, Filter, (2) Inlet	3516322
11 Compressor	
a. R-404A 115/60 - 1/4HP, TF4CLX	3526997
b. R-404A 220/50 - 1/5HP, TFS4	3526994
c. R-404A 208-230/60 - 1/5HP, AEA0415ZXD	3527071
d. R-290 220-240/50 - 1/5HP, TL4CN	3526988
12 High Pressure Assembly, 8 Amp (HP Cutout & Harness)	000-998-0030
13 Cutout, High Pressure	3516324
14 Harness, High Pressure	2195120
15 Cap Tubing (Not shown)	
a. R-404A -.044 ID x .109 OD, 144" Long	0074057
b. R-290 - 0.036" ID x .109 OD, x 96" Long	413-252-005W
16 Danfoss Relay Cover, N225, 220V only	3516460
17 Cover, Trough, 1/3 HI PRSR SW	024-AJ0-0031
18 Comp, Cord, Relief, Danfoss, 220V only	3516439
19 Assembly, Evaporator Coil	
a. 115V/60	000-CD0-0002
b. 220V/50	000-CD0-0001
c. 220V/60	000-CCG-003B
20 Blade, Fan, 4.5", CW, 28Deg.	3517383
21 Guard, Fan, 4.5"	2160022
22 Bracket, Fan, Evaporator	372-A9Y-0002
23 Motor, Fan	
a. 115V, 50/60	2162691
b. 240V, 50/60	020003848
24 Coil, Evaporator	3517382
25 Clip, Condenser Seal	027-CEM-0001
26 Harness, Temp Probe, Sensor	2186900
27 Condenser Filter Probe Sensor	2186938
28 Pan, Condensate, SM	039-231-0032
29 Fixture, Cond, 1/5	024-BDF-0005

ICE DISPENSER ASSEMBLY

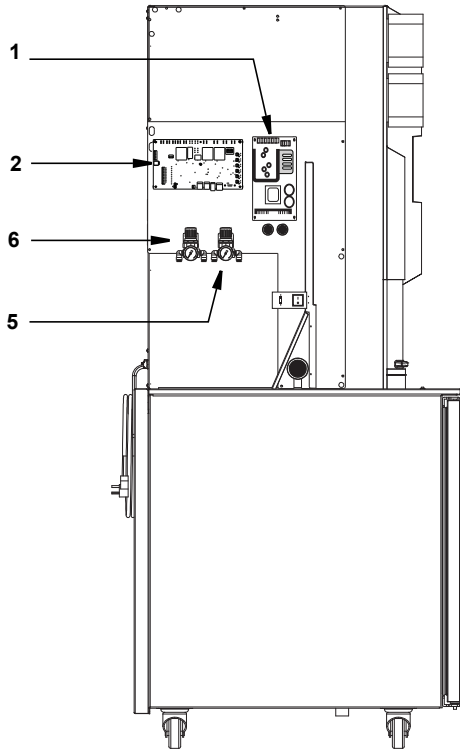


* These parts will need to be ordered together if replacement is needed on units built prior to 4/20/2012

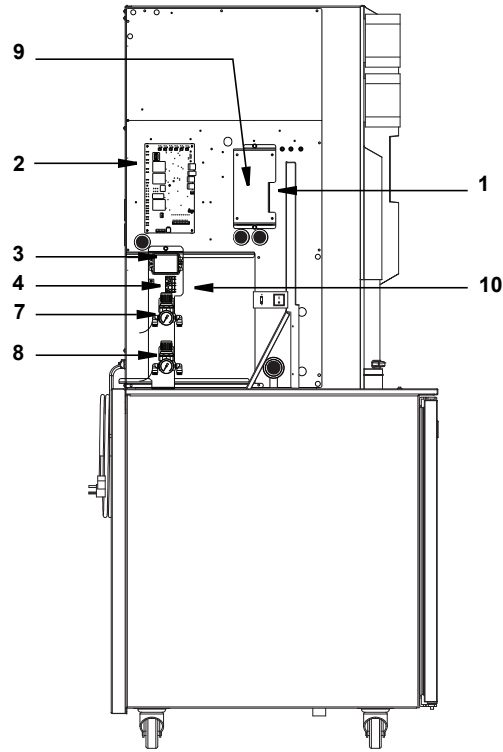
DESCRIPTION

		PART NO.
1	Ice Machine Assembly	
a.	R-404A 120V - For MB-8-1, MB-8-2, MB-8-1E, MB-8-2E, MB-8-1A, MB-8-2A, MB-8-1D, MB-8-2D, MB-8-1U, MB-8-2U, MB-8-1P, MB-8-2P, MB000A01, MB000A02 (Detail on Page 11)	3237374
b.	R-404A 120V - For MB000A03, MB000A04, & MB000A05 (Detail on Page 14)	3237505
c.	R-404A 220V/50Hz - For MB-8-1, MB-8-2, MB-8-1E, MB-8-2E, MB-8-1A, MB-8-2A, MB-8-1D, MB-8-2D, MB-8-1U, MB-8-2U, MB-8-1P, MB-8-2P, MB000A01, MB000A02 (Detail on Page 11)	3237390
d.	R-404A 220V/60Hz - For MB000A07, MB000A08, MB-8-1BF (Detail on Page 14)	3237507
e.	R-404A 120V/60Hz - For MB000A10, MB000A11 (Detail on Page 14)	3237576
f.	R-404A 230V/50Hz - For MB000A12, MB000A13 (Detail on Page 14)	3237575
g.	R-290 230V - For MB000A06, For MB-8-1PP (Detail on Page 14)	3237506
2	Tube, Drain, Ice Maker	
a.	For MB-8-1, MB-8-2, MB-8-1E, MB-8-2E, MB-8-1A, MB-8-2A, MB-8-1D, MB-8-2D, MB-8-1U, MB-8-2U, MB-8-1P, MB-8-2P, MB000A01, MB000A02	1708539
b.	For MB000A03, MB000A04, MB000A05, MB000A06, MB-8-1PP, MB-8-1BF	1708553
c.	For MB000A10, MB000A11	1708572
3	Body, Chute, Ice Bin - For MB-8-1, MB-8-2, MB-8-1E, MB-8-2E, MB-8-1A, MB-8-2A, MB-8-1D, MB-8-2D, MB-8-1U, MB-8-2U, MB-8-1P, MB-8-2P, MB000A01, MB000A02	1708529
4	Cover, Chute, Ice Bin - For MB-8-1, MB-8-2, MB-8-1E, MB-8-2E, MB-8-1A, MB-8-2A, MB-8-1D, MB-8-2D, MB-8-1U, MB-8-2U, MB-8-1P, MB-8-2P, MB000A01, MB000A02	1708530
5	Ice Dispenser Motor Assembly	
a.	120V	000-BIC-000J
b.	220V	000-BIC-0035
6	Capacitor	
a.	Bison 20MF	2195540
b.	Bison 20MF for Bison 220/50 Motor	2195306
7	Drive Motor	
a.	Bison 120V	2195297
b.	Bison 220V/50	2195305
c.	Harness, Ice Dispense Motor	2186867
8	Ice Bin	1768527
9	Switch, Snap Action, Mini	2194807
10	Connector, Hose	3547788
11	Ice Bin Cover	
a.	For MB-8-1, MB-8-2, MB-8-1E, MB-8-2E, MB-8-1A, MB-8-2A, MB-8-1D, MB-8-2D, MB-8-1U, MB-8-2U, MB-8-1P, MB-8-2P, MB000A01, MB000A02	1708532
b.	Kit for MB000A03, MB000A04, MB000A05, MB000A06, MB000A07, MB000A08, MB000A09, MB000A10, MB000A11, MB000A12, MB000A13, MB-8-1BF (Non-CIP), MB-8-1PP, MB000A06 (CIP)	020006117
c.	Cover Plate Only	269-CCQ-0011
d.	Lid only	1708575
12	Agitator Assembly, Ice Bin	* 000-BIC-004M
13	Bin Sensor Bracket	027-CDR-0007
14	Switch, Reed, Rinse Area	2162732
15	Dispenser Plates Assembly	* 000-BIC-004K
16	Screw, 1/4 - 20 x 1", S/S	* 9324165
17	Bushing, Ice Bin	* 3237391
18	Wheel Assembly, Ice Dispenser	* 000-BIC-001X
19	Transformer Bracket On Ice Assembly (international units only)	025-CDR-000E
20	Relay, Power, Heavy Duty, 220V (international units only)	2195307
21	Harness, 230V/50Hz, AC (Not Shown) (international units only)	2186958
22	Harness, 120V/60Hz, Temp Sensor 86"(Not Shown)	2186938
23	Harness, DC Dist, BIC (Not Shown)	2186863
24	Harness, Main & Cond, 220V/60Hz - MB000A07 & MB000A08 only	2186978
25	Ice Level Controls	
a.	Harness, Ice Level Control to Ice Machine Bin Level Relay	2186934
b.	Harness, Ice Safety for MB-8-1, MB-8-2, MB-8-1E, MB-8-2E, MB-8-1A, MB-8-2A, MB-8-1D, MB-8-2D, MB-8-1U, MB-8-2U, MB-8-1P, MB-8-2P, MB000A01, MB000A02	2186911
c.	Sensor, Ice Bin Level Infrared Sensor	2195546
26	John Guest Locking Clip	
a.	1/4 (6mm) Locking Clip	3547881
b.	3/8 (8mm) Locking Clip	3547882
c.	1/2 (13mm) Locking Clip	3547883

LEFT SIDE INTERNAL PANEL, POWER SUPPLY & SRB



**Models:
All Other**

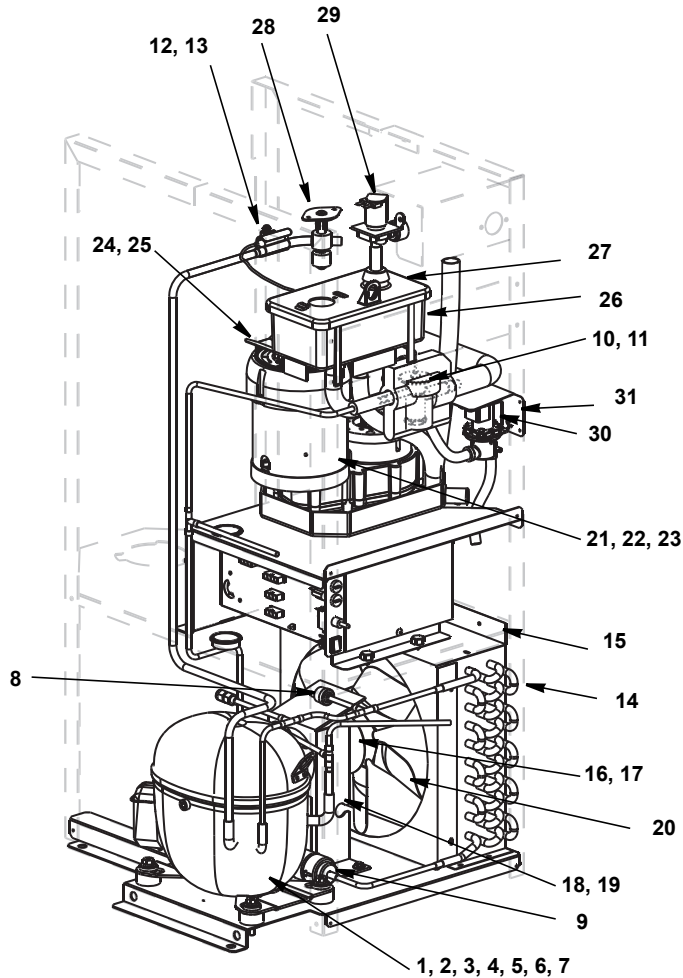


**Models:
MB000A10, MB000A11, MB000A12,
MB000A13**

DESCRIPTION

		PART NO.
1	Power Supply	
	a. Board only, 24VDC, 8.4A	2195559
	b. Kit for units built prior to serial # 1310150001263	020005534
2	Board, SRB, BIC	2195293
3	Schaffner FN2060 Line Filter	2194963
4	Terminal Block Screw To Tab	2194537
5	Regulator, Air/CO2 Pressure	3547785
6	Regulator, Water Pressure	3547784
7	Regulator, Air/CO2 Pressure (MB000A10, MB000A11, MB000A12, MB000A13 only)	3547877
8	Regulator, Water Pressure (MB000A10, MB000A11, MB000A12, MB000A13 only)	3547876
9	Power Supply Cover Bracket	026-CDU-001B
10	Regulator Mounting Bracket	024-CDU-001A

**ICE MAKER REFRIGERATION COMPARTMENT FOR:
 MB-8-1, MB-8-2, MB-8-1E, MB-8-2E, MB-8-1A, MB-8-2A, MB-8-1D, MB-8-2D, MB-8-1U,
 MB-8-2U, MB-8-1P, MB-8-2P, MB000A01, MB000A02**

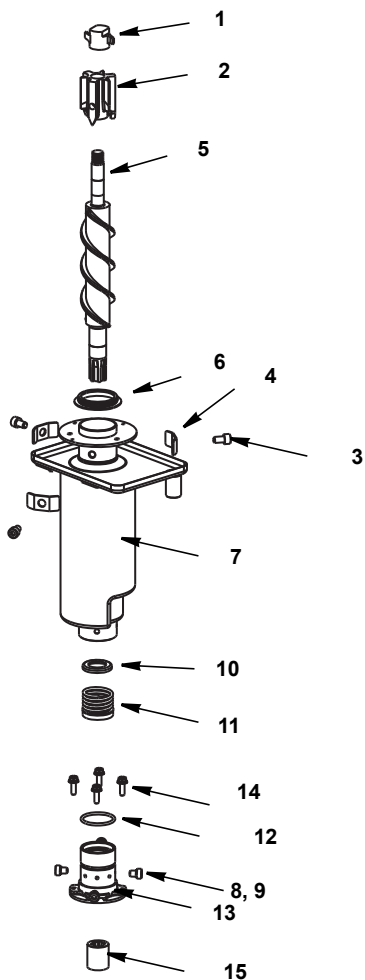


Complete Assembly Part Numbers
 3237374 (120V) & 3237390 (220V)

DESCRIPTION

	PART NO.
1 Compressor, RST45C1E-CAA-202.....	HWP00001
2 Spacer	HWP00002
3 Grommet	HWP00003
4 Bolt Assembly, 8 x 45	HWP00004
5 Terminal Cover	HWP00005
6 Spring Clip	HWP00006
7 Protector	HWP00007
8 Pressure Switch, ACB-1UB44.....	HWP00008
9 Drier	HWP00009
10 Expansion Valve	HWP00010
11 Expansion Valve Cover.....	HWP00011
12 Holder-Expansion Valve	HWP00012
13 Hose Clamp	HWP00013
14 Condenser	HWP00014
15 Shroud, GS	HWP00015
16 Fan Motor	HWP00016
17 Self-Locking Nut, No. 8-32	HWP00017
18 Fan Motor Bracket, GS	HWP00018
19 Hex Bolt Assembly, 4 x 12, SS	HWP00019
20 Fan Blade	HWP00020
21 Gear Motor	HWP00021
22 Bolt, 8 x 12, SS	HWP00019
23 Split Lock Washer, 8, SS	HWP00022
24 Gear Motor Cover	HWP00023
25 Hex Bolt Assembly, 4 x 12, SS	HWP00024
26 Reservoir	HWP00040
27 Reservoir Cover	HWP00041
28 Float Switch	HWP00042
29 Inlet Water Valve	HWP00043
30 Drain Valve	HWP00044
31 Drain Valve Bracket	HWP00045

**ICE MAKER EVAPORATOR FOR:
 MB-8-1, MB-8-2, MB-8-1E, MB-8-2E, MB-8-1A, MB-8-2A, MB-8-1D, MB-8-2D, MB-8-1U,
 MB-8-2U, MB-8-1P, MB-8-2P, MB000A01, MB000A02**



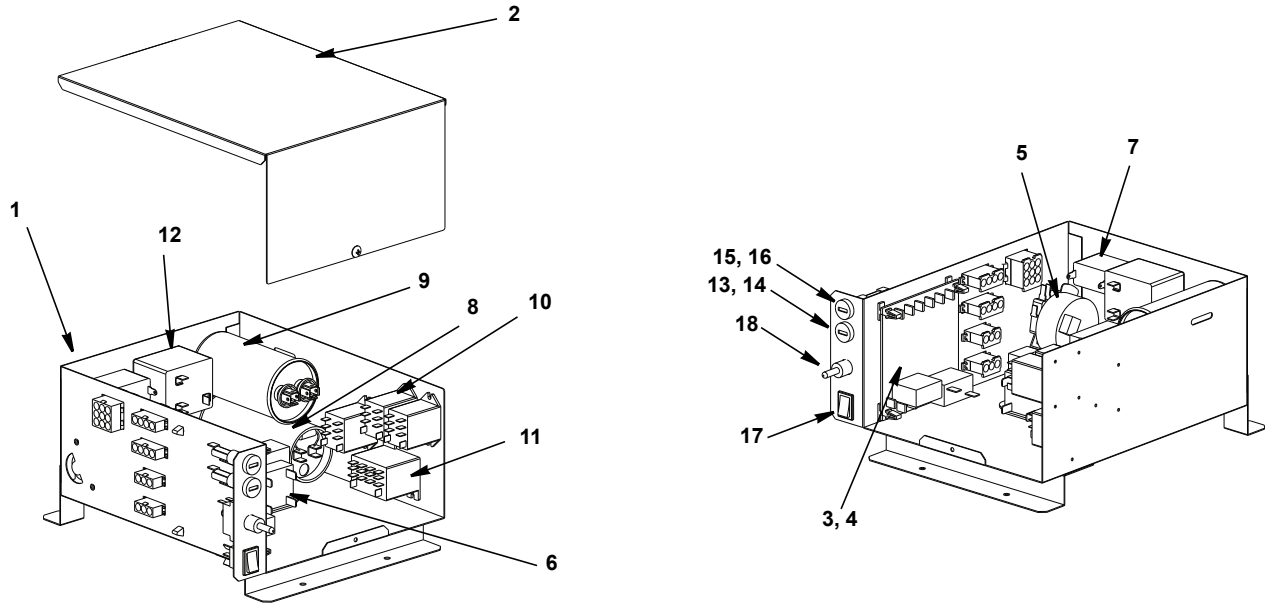
DESCRIPTION

1	Cutter
2	Extruding Head
3	Seal Socket Head Cap Screw, 8 x 14, SS
4	Washer
5	Auger
6	Packing
7	Evaporator
8	Socket Head Cap Screw, 6 x 10, SS
9	Split Lock Washer, 6, SS
10	Ring (B)
11	Mechanical Seal
12	"O" Ring
13	Housing
14	Bolt Assembly
15	Spline Coupling

PART NO.

HZP00025
HZP00026
HZP00027
HZP00028
HZP00029
HZP00030
HZP00031
HZP00032
HZP00033
HZP00034
HZP00035
HZP00036
HZP00037
HZP00038
HZP00039

**ICE MAKER CONTROL BOX ASSEMBLY FOR:
 MB-8-1, MB-8-2, MB-8-1E, MB-8-2E, MB-8-1A, MB-8-2A, MB-8-1D, MB-8-2D, MB-8-1U,
 MB-8-2U, MB-8-1P, MB-8-2P, MB000A01, MB000A02**



DESCRIPTION

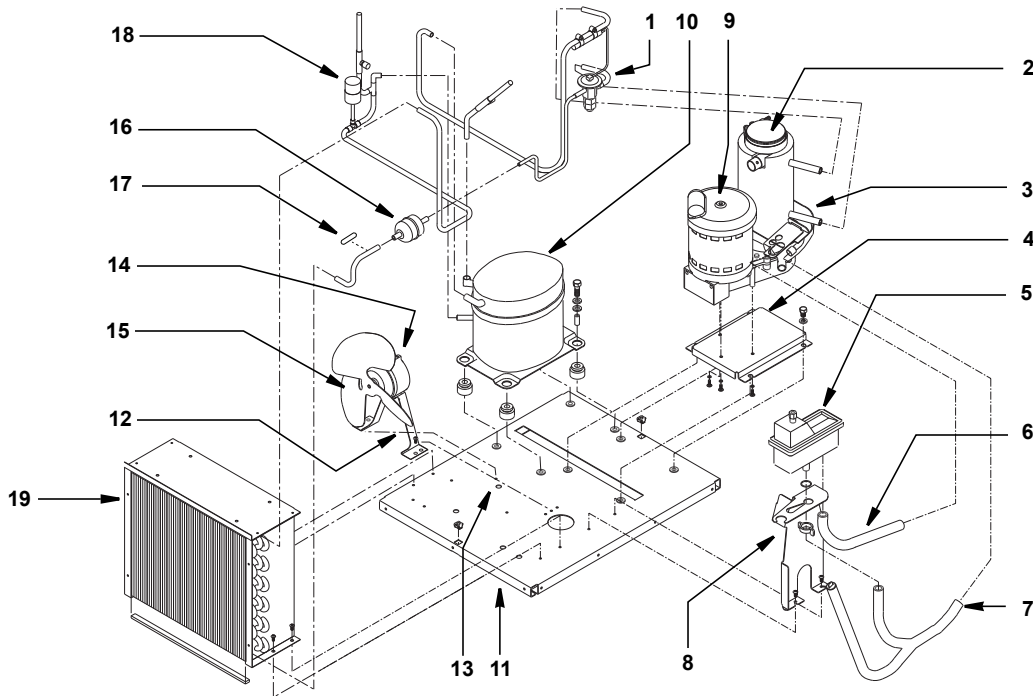
1	Control Box	HZP00046
2	Control Box Cover	HZP00047
3	Control Board	HZP00048
4	Board Support	HZP00049
5	Timer	000-BIC-002Y-S
6	Transformer	HZP00051
7	Capacitor (5.0MFD, 250VAC)	HZP00052
8	Start Capacitor (243-292MFD, 165VAC)	HZP00053
9	Run Capacitor (35MFD, 440V)	HZP00054
10	Relay	
	a. 120 VAC	HZP00055
	b. 220/240 VAC	HZP00056
	c. 24 VAC	HZP00057
11	Relay (24 VAC Only)	HZP00058
12	Starter	HZP00059
13	Fuse (AGC-1, 250V, 1A Only)	HZP00060
14	Fuse Holder	HZP00061
15	Fuse (GMD-2A, 250V, 2A Only)	HZP00062
16	Fuse Holder	HZP00063
17	Rocker Switch	HZP00064
18	Toggle Switch	HZP00065

PART NO.

HZP00046
HZP00047
HZP00048
HZP00049
000-BIC-002Y-S
HZP00051
HZP00052
HZP00053
HZP00054
HZP00055
HZP00056
HZP00057
HZP00058
HZP00059
HZP00060
HZP00061
HZP00062
HZP00063
HZP00064
HZP00065

ICE MAKER REFRIGERATION COMPARTMENT FOR:

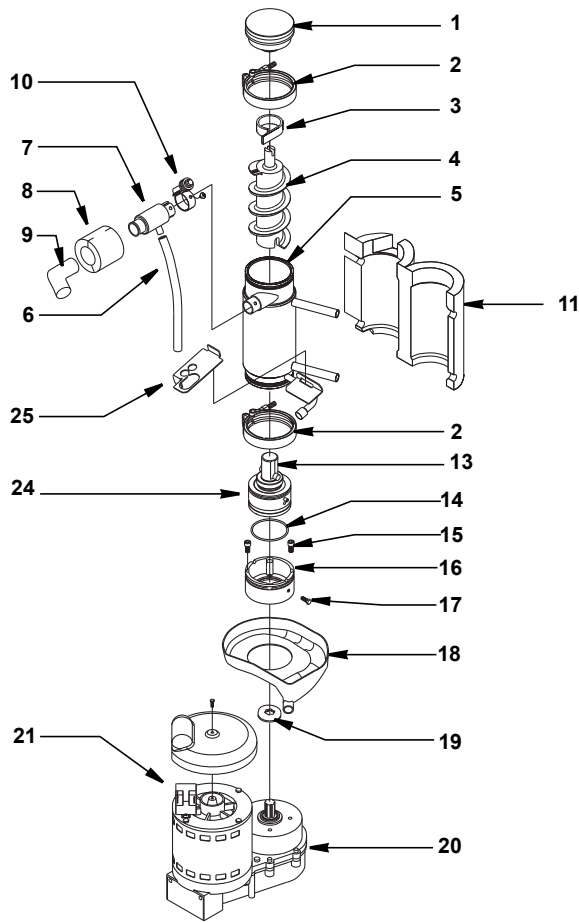
MB000A03, MB000A04, MB000A05, MB000A10, MB000A11, MB000A12, MB000A13, MB-8-1PP, MB-8-1BF



DESCRIPTION

	PART NO.
1 Thermal Expansion Valve	
a. R-404A (For MB000A03, MB000A04, MB000A05, MB000A10, MB000A11, MB000A12, MB000A13, MB-8-1BF)	000007108
b. R-290, Kit - includes valve, insulation, bulb strap & insulation (For Model MB-8-1PP).	020004537
c. R-290, Valve only (For Model MB-8-1PP).	01002823
2 Evaporator	(See Page 15)
3 Drain Pan, Evaporator	000007129
4 Mounting Bracket, Gearbox	000007135
5 Float Valve & Reservoir	00979690
a. Float with Insulation	020005523
b. Tape Foam Insulation 0.125 x 2.000	3234175
c. Mounting Bracket	000007980
6 Tubing, Plastic, Food Grade, 1/2" (13mm) ID (Sold by the Foot)	000007146
7 Drain Kit, Evaporator	000007132
8 Reservoir Mounting Bracket	000007142
9 Gearbox & Motor Assembly	(See Page 15)
10 Compressor	
a. 115V/60Hz R-404A (For MB000A03, MB000A04, MB000A05)	000007110
b. 230V/50Hz R-290 (For MB000A06, MB-8-1PP)	00980730
c. 230V/50Hz R-404A (For MB000A12, MB000A13)	3237575
d. Start Component Kit for 230V/50Hz	020006078
e. Screws 230V/50Hz	200411
11 Base	000007149
12 Bracket, Fan Motor	000007148
13 Fan Motor Bracket Screw	208568
14 Fan Motor	
a. 115V/60Hz R-404A (For MB000A03, MB000A04, MB000A05)	000007076
b. 230V/50-60Hz R-290 (For MB-8-1PP, includes speed nut for fan blade)	020004850
15 Fan Blade	000007147
16 Drier	
a. For MB000A03, MB000A04, MB000A05, MB-8-1BF	000007270
b. For MB-8-1PP	00980995
17 Condenser Filter Probe Sensor	2186938
18 High Pressure Cutout (All models & voltages)	000007111
19 Condenser	
a. Coil R-404A (For MB000A03, MB000A04, MB000A05, MB-8-1BF)	000007127
b. Coil R-290 (MCHX) (For MB-8-1PP)	00980755
c. Grill	000007155
d. Filter	3239692
20 Tubing, Polypropylene, Reservoir Supply (Sold By Foot) (Not Shown)	000007220
21 Fitting, Plastic, Float Valve (Includes Sleeve And Stem) (Not Shown)	000007144
22 Water Sensor (Not Shown)	000007102
23 Tubing, Evaporator Drain, 3/4" (19mm) ID X 1" (26mm) OD (Sold By Foot) (Not Shown)	000007145
24 Overload, Compressor, 115v 60 Hz (Not Shown)	000007124
25 Strainer, Water, Threaded Connections (Not Shown)	00136663
26 Strainer, Push-in Connections (Not Shown)	000007229
27 Shroud, Condenser Coil (Not Shown)	000007150
28 Water Inlet And Drain Assembly, Brass (Not Shown)	000009085
29 Water Inlet Fitting, Plastic (Not Shown)	000007365
30 Water Inlet Elbow, Plastic (Not Shown)	000007366
31 Drain Fitting, Plastic (Not Shown)	000007365
32 Jacket, Insulation, TXV (Not Shown)	000007274

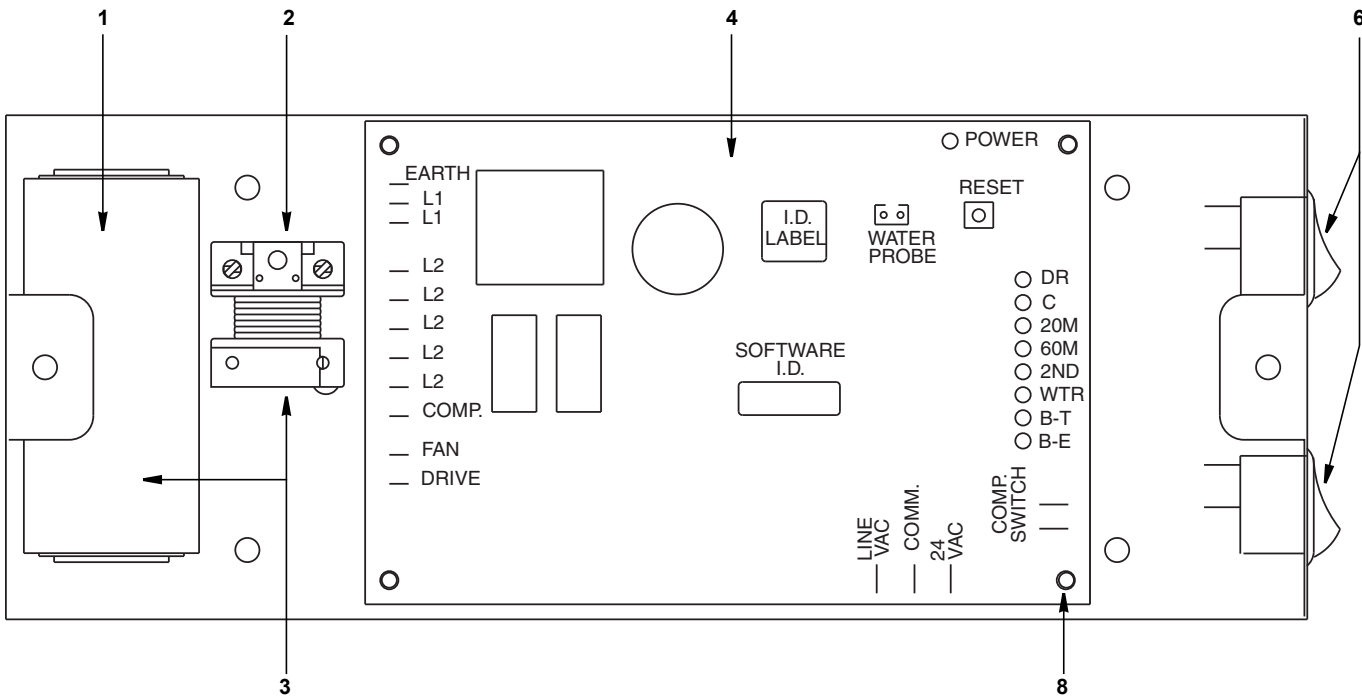
ICE MAKER EVAPORATOR FOR: MB000A03, MB000A04, MB000A05, MB-8-1PP, MB-8-1BF



DESCRIPTION

DESCRIPTION	PART NO.
1 Bearing Assembly, Top	000007119
2 Coupling, V-band, Includes Nut	000007118
3 Loop, Ice Compression, Beveled	000007103
4 Auger	000007120
5 Evaporator (includes insulation jacket, 000007131)	000007107
a. Cap	000007983
6 Tubing, Compression Nozzle Drain(s) (sold by foot)	000007138
7 Compression Nozzle, with Single Drain	00967976
8 Ice Delivery Tube	000007130
9 Ice Delivery Elbow	020005231
10 Clamp, Compression Nozzle & screw	000007137
11 Insulation Jacket, Evaporator	000007131
12 Ice Transport Tube	000007130
a. Bracket	000007154
13 Bearing Assembly, Bottom (includes O rings and condensate shield)	000007121
14 O-ring, Mounting Base	000007078
15 Screw, Allen 1/4 20 x 1/2 (set of 4)	000007079
16 Mounting Base, Evap. (includes o-ring 000007078)	000007112
17 Bolt, Mounting Base	000007134
18 Drain Pan, Evaporator	000007129
19 Shield, Condensate	000007077
20 Gearbox & Motor Assembly (comes with grease)	
a. 115V/60Hz (For MB000A03, MB000A04, MB000A05)	000007109
b. 230/50Hz (For MB-8-1PP)	PI502832
21 Relay, Start, Gear Motor	
a. 115V/60Hz (For MB000A03, MB000A04, MB000A05)	020004701
b. 230/50Hz (For MB-8-1PP)	020004700
Miscellaneous – Brackets, Screws, etc.	
22 Shuttle Actuator (Not Shown)	000007979
23 Oil, Gear Motor (1 pint) (Not shown)	000007141
24 O-ring, Bearing Housing	000007133
25 Bracket, Drain Hose	000007140
26 Tubing, Evaporator Outlet to Compression Nozzle 3.75"	000007984
27 Grease, Chevron SRI-2, 14oz (Not shown)	000007139
28 Mounting Base, Gearbox (Not shown)	000007135

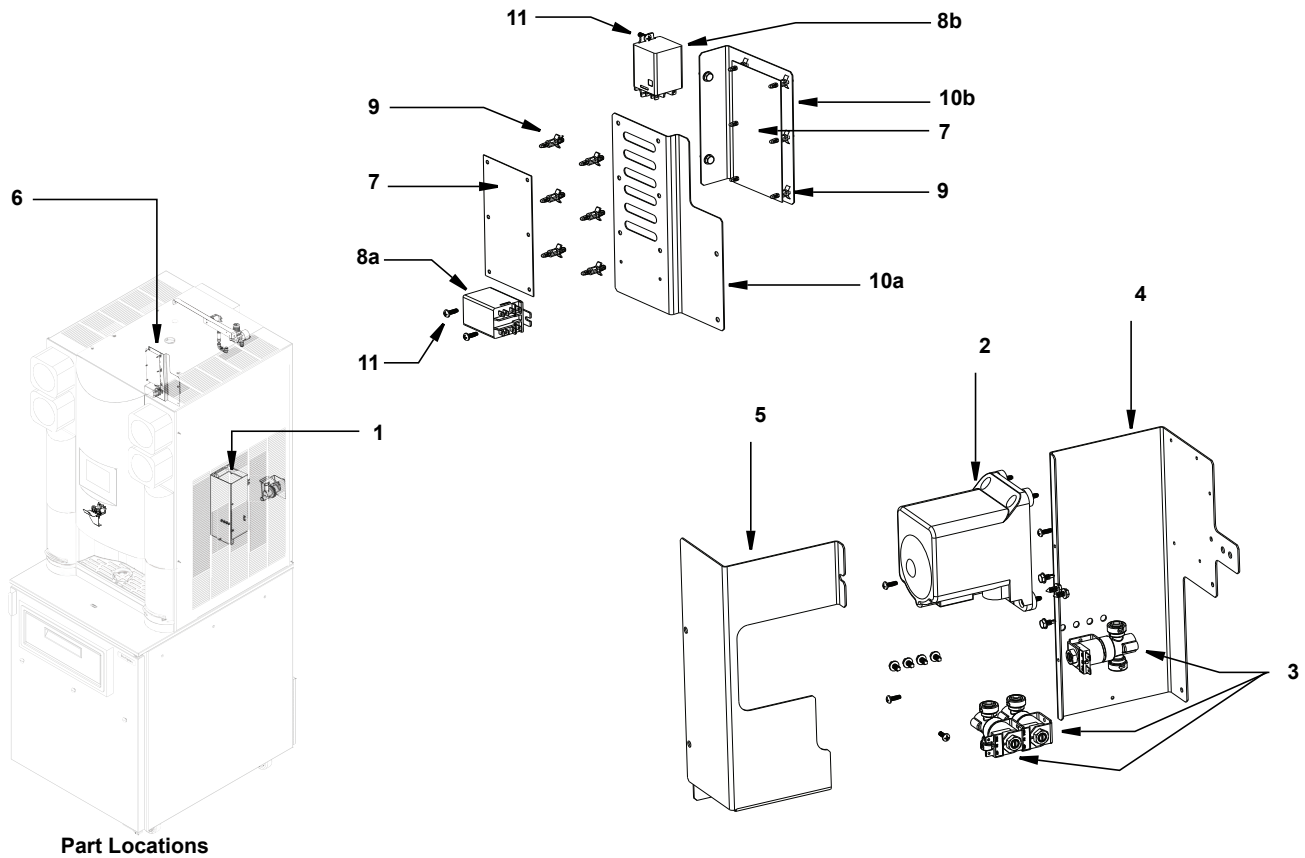
**ICE MAKER CONTROL BOX FOR:
MB000A03, MB000A04, MB000A05, MB000A06, MB000A07, MB000A08, MB-8-1PP, MB-8-1BF**



DESCRIPTION

	PART NO.
1 Capacitor Start, Compressor 115V/60Hz (requires complete compressor)	000007123
2 Relay Start, Compressor 115V/60Hz (requires complete compressor)	000007080
3 Start Component Kit for 230V/50HZ.	020006078
4 Circuit Control Board	
a. 115V/60Hz (For SKUs MB000A03, MB000A04, MB000A05)	000007104
b. 230V/50Hz - Black 5 Min Delay (For Model MB-8-1PP)	00980698
5 Water Sensor (Not shown)	000007102
6 Switch, ON/OFF, Compressor	
a. 115V White Switch	000007105
b. 220/230V Black Switch	020005717
7 Switch, ON/OFF, Power	
a. 115V & 220/230V Black Switch	020005717
8 Board, Stand Off Control (4 required)	000007081

CLEAN IN PLACE (CIP) PUMP ASSEMBLY & RELAY CONTROL BOARD FOR MODELS WITH CIP

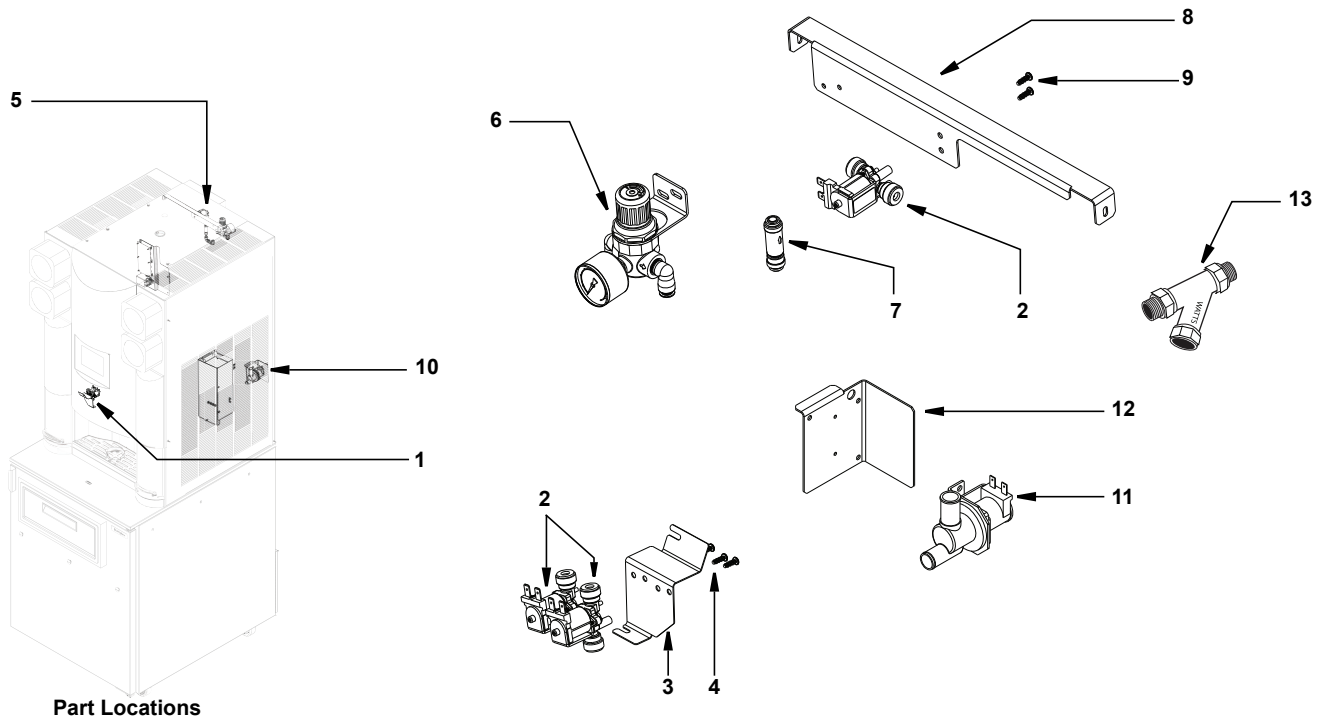


Part Locations

DESCRIPTION

	PART NO.
1 Complete CIP Pump Assembly	000-BIC-004E
2 Flojet Pump, NSF, NO ASO	3239675
3 Water Solenoid Valve, 1/4"	3547753
4 Pump Mount Bracket, CIP	024-CDU-0014
5 Pump Mount Cover, CIP	027-CDR-0015
6 Complete CIP Relay Board Assembly	
a. 230V	000-BIC-004G
b. 120V (For MB000A10, MB000A11)	000-BIC-005X
7 Relay Board, BIC CIP	2198536
8 Relay, Enable, BIC CIP	
a. 230V	2198537
b. 120V (For MB000A10, MB000A11)	2198538
9 Board Standoff, Spacer, PCB, Snap In, 3/8"	9324163
10 Relay Board Bracket, CIP	
a. 230V	026-CDR-000K
b. 120V (For MB000A10, MB000A11)	026-CDR-000P
11 Screw, #8 - 32 X. 50, S-P-PN-F	9321266
Miscellaneous – Wiring, Harnesses, etc.	
12 Harness, Board To SRB, BIC CIP	2186970
13 Harness, Board To Relay, BIC CIP	2186969
14 Harness, Board To Solenoids, A CIP	2186963
15 Harness, Board To Solenoids, B CIP (Includes Fuse & Fuse Holder)	2186962
NOTE: Fuse = 4 amp Bussman Bk/MDL-4-R or equivalent, Fuse holder = Bussman Bk/HHB-R or equivalent.	
16 Harness, Relay To 24V, BIC CIP	2186961
17 Water Purge Relay (not shown)	02004988

CLEAN IN PLACE (CIP) SOLENOID, CHILLED WATER REGULATOR, & DRAIN VALVE ASSEMBLIES FOR MODELS WITH CIP



Part Locations

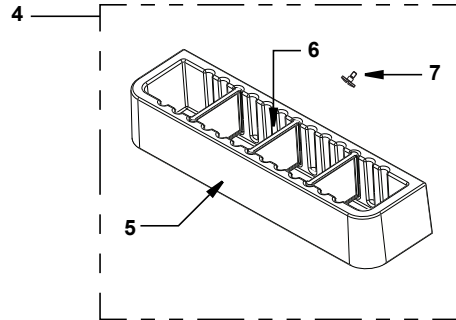
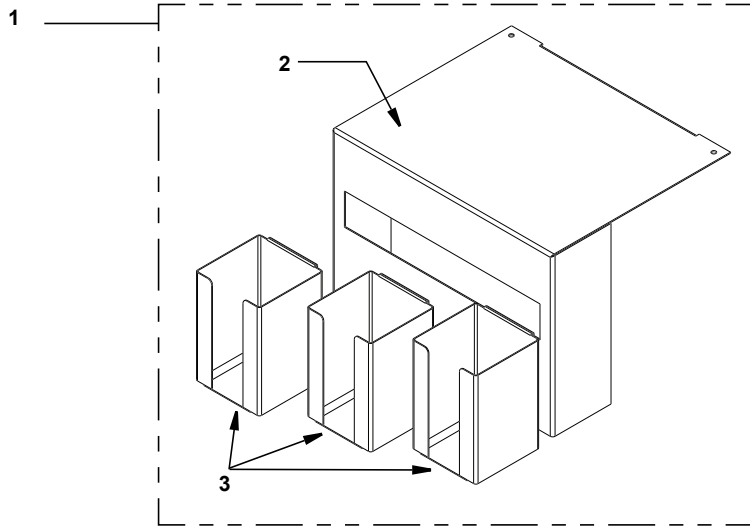
DESCRIPTION

	PART NO.
1 Complete Solenoid Bracket, CIP Assembly	000-BIC-0054
2 Valve, H₂O Solenoid, 1/4"	3547845
3 SLND Valve Mount Bracket, CIP	026-CCQ-000Y
4 Screws, HI - LOW, #8 X 1/2"	9324089
5 Complete Chilled H₂O Regulator CIP Assembly	000-BIC-004H
6 Water Pressure Regulator	3547784
7 Check Valve Fitting, 1/4", PTC	3547850
8 Bracket, Chilled H₂O Regulator CIP	024-CDR-000J
9 Screws, Hi-Low, #8 X 1/2"	9324089
10 Complete Drain Valve CIP Assembly	000-BIC-004F
11 Drain Valve Solenoid, 24V	3547846
12 Drain Valve Bracket	024-CCQ-000W

Miscellaneous – Wiring, Fittings, Tubes, etc.

13 Chilled Water Line WATTS Y-Fitting	
a. With Inlet & Outlet Fittings	PI502920
b. Y-Fitting Only	00136663
14 Dual Solenoid Jumper Harness	2186980
15 Fitting, Tee, 3/8 x 1/4 x 3/8 PTC	3547847
16 Coupling, 1/4" x 3/8", PTC	3547848
17 Coupling, 3/8 BARB x 1/2, PTC	3547852
18 Fitting, Elbow, 1/4, PTC	3547853
19 Tube, 1/4 Poly, Red	3547856
20 Tube, 1/4 Poly, White	3547857
21 Tube, 1/4 Poly, Blue	3547858
22 Elbow, 1/4 Barb X 1/4 Stem, PTC	3547859
23 Elbow, 1/4 X 1/4 Stem, PTC	3547860
24 Assembly, Shield, Ice Sensor	000-BIC-004N
25 Back, PNL, BIC, R290	027-CDU-000Y
26 Fitting, Bulkhead, 1/2" NPT	3547837
27 Adapter, Elbow, 1/2NPT X 1/4 B.	3547838

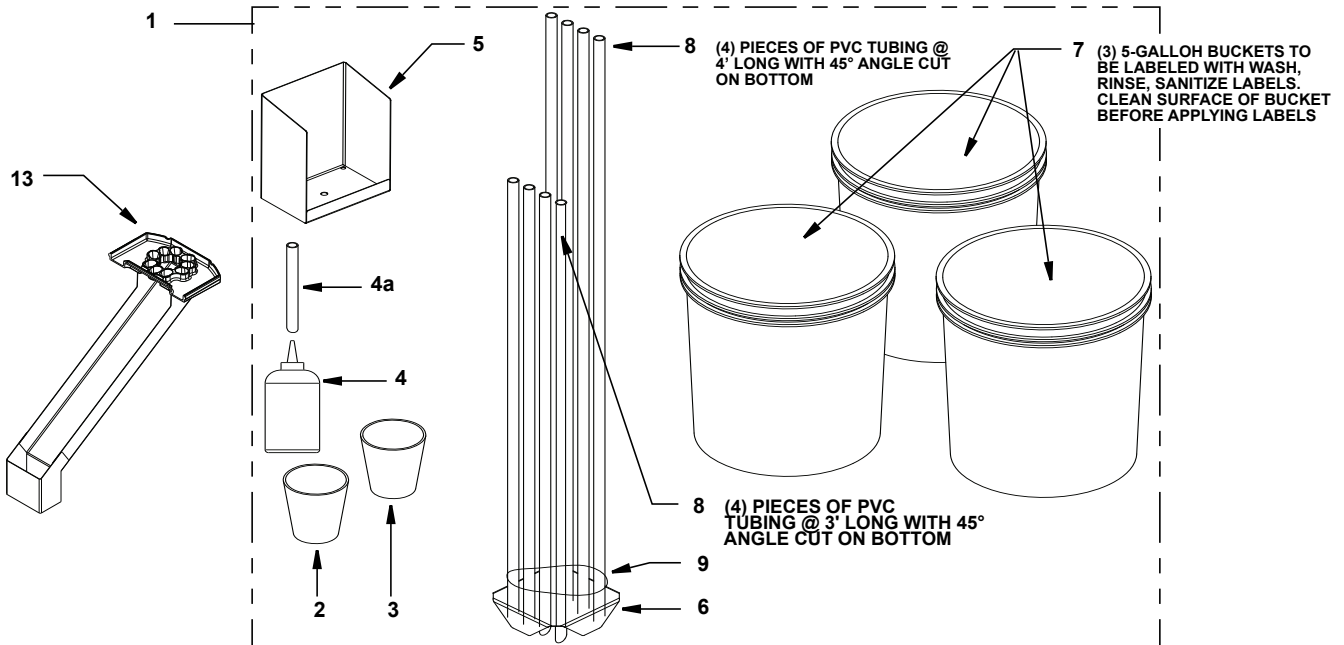
ACCESSORY KITS



DESCRIPTION

	DESCRIPTION	PART NO.
1	Complete Lid Holder Assembly	BEV00002
2	Support Rail System	264-BZZ-000K
3	Lid Holder	020005178
4	Complete Syrup Rail Assembly	BEV00003
5	Syrup Rack	1706194
6	Divider (each)	1706195
7	Shoulder Screw	9324085
8	Sticker / Literature Language Kits	
a.	Standard English Product Bin Labeling Kit	9291364
b.	Danish	000-BIC-005G
c.	Finnish	000-BIC-005H
d.	French	000-BIC-005M
e.	German	000-BIC-005J
f.	Italian	000-BIC-005N
g.	Korean	000-BIC-005T
h.	Norwegian	000-BIC-005P
i.	Polish	000-BIC-005U
j.	Portuguese (Brazil)	000-BIC-005Q
k.	Russian	000-BIC-005R
l.	Spanish	000-BIC-005S
m.	Swedish	000-BIC-005K

CLEANING KITS & COMPONENTS



DESCRIPTION

			PART NO.
1	Complete Kits		
	a. Single Spindle Kit		000-BIC-001R
	b. Dual Spindle Kit		000-BIC-001Q
2	Red Cup		3547829
3	Blue Cup		3547830
4	Cleaning Squeeze Bottle		1706138
	a. Tubing, 1/2" ID x 5/8" OD PVC, 4 ft long		1702019
5	Dispense Area Shield		243-BZZ-000D
6	IPC Hose Bracket		372-102-0006
7	Bucket, 5 Gallon, Black		3547771
8	Tubing, 1/2" IO X 5/8" OD, PVC, see above for lengths		1702019
9	Zip Tie, 11"		3234411
10	Sanitize Label (Not Shown)		9294279
11	Rinse Label (Not Shown)		9294278
12	Wash Label (Not Shown)		9294277
13	Ice Chute Assembly for CIP Units		000-BIC-004P