



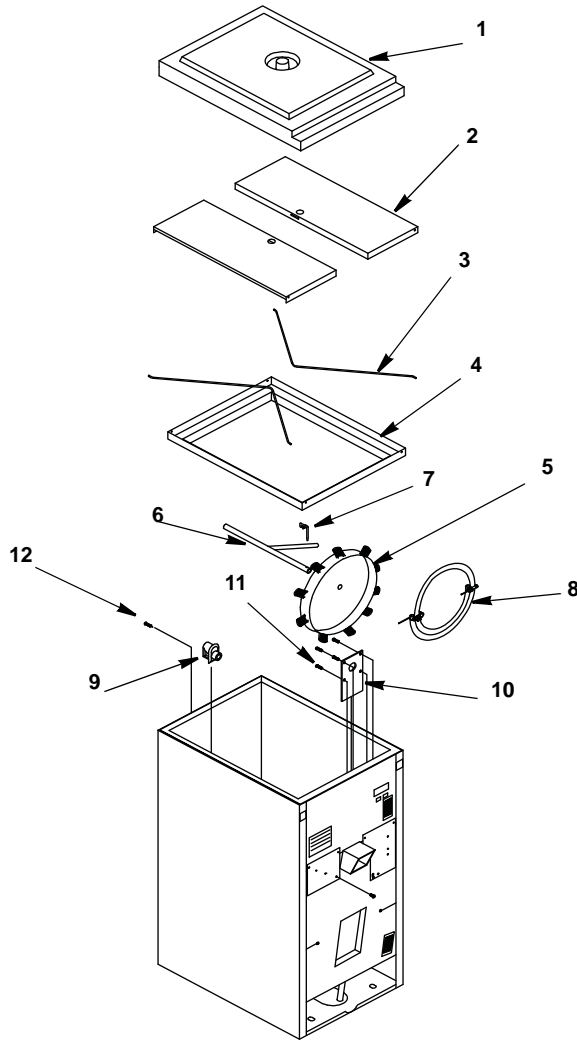
Parts List M Series

M-15

M-90

M-45

M-15 Exploded View - TOP

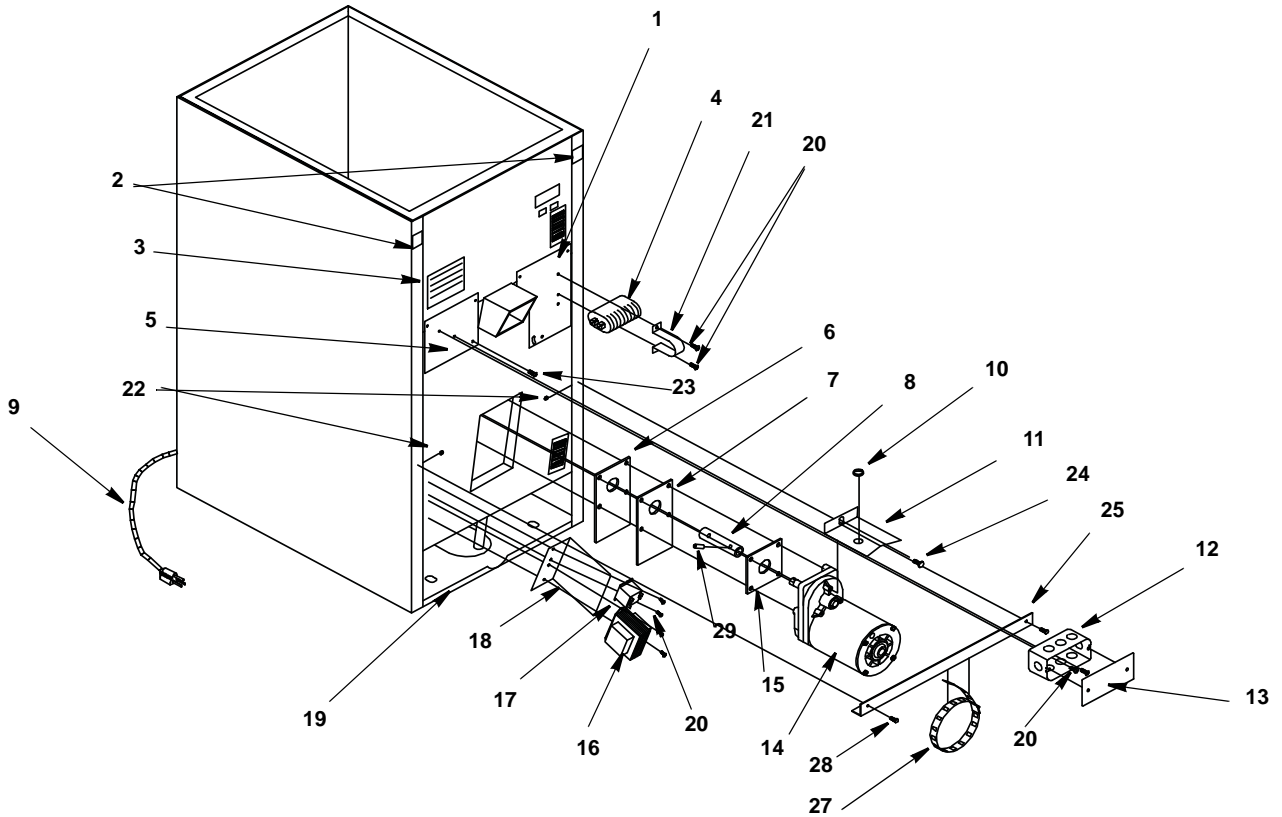


No Longer in Production

DESCRIPTION

	DESCRIPTION	PART NO.
1	Lid.....	4100075
2	Flipper Door.....	4105503
3	Flipper Door Rod.....	4100008
4	Flipper Door Frame.....	4105502
5	Paddle Wheel.....	2602235
6	Agitator.....	4105706
7	Paddle Wheel Pin.....	5001683
8	Drain Kit Assembly.....	2602528
9	Mushroom Bushing.....	0101702
10	Bin Insulator Plate.....	7015901
Miscellaneous - Brackets, Screw, Etc.		
11	1/4-20x1" Stainless Steel Hex Head Cap Screw.....	0900636
12	8x3/4" Stainless Steel Tapping Screw.....	0901007

M-15 Exploded View - BASE

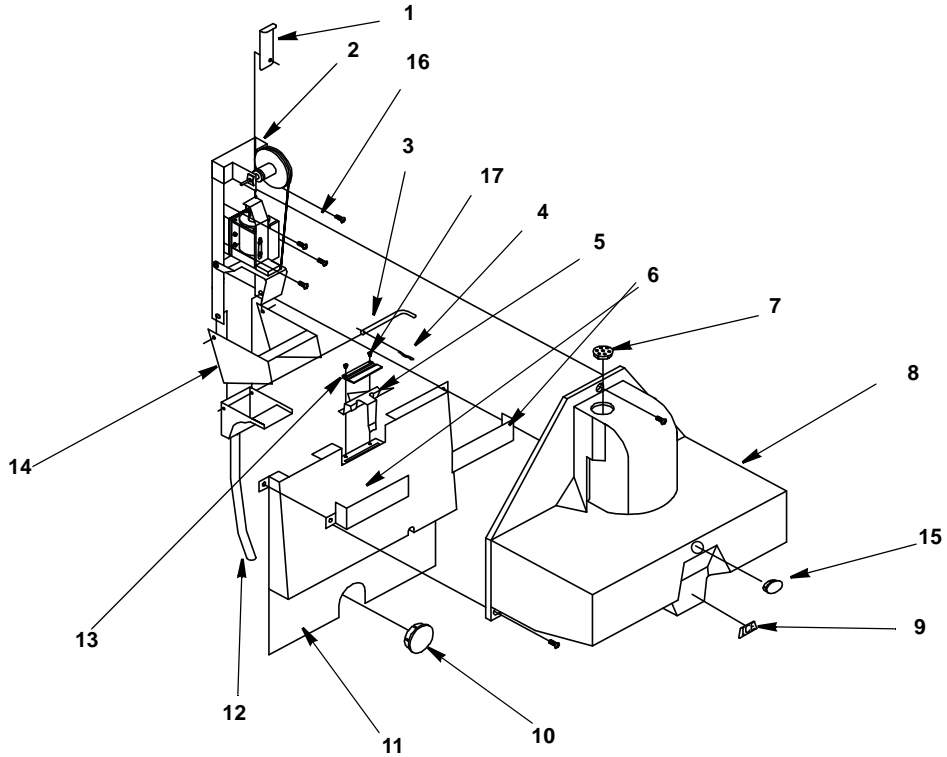


No Longer in Production

DESCRIPTION

	DESCRIPTION	PART NO.
1	Galvanized Extension - Right	4100071
2	Mylar Foam Hole Cover	0301203
3	Wiring Diagram	5002215
4	Capacitor for Gear Motor	
a.	(5 mfd) 115V - 60Hz	1001741
b.	(8 mfd) 100V - 50/60Hz	1001710
c.	(3 mfd) 220V - 50Hz	5000344
d.	(3 mfd) 220V - 60Hz	5000344
e.	(2 mfd) 240V - 50Hz	5000343
5	Galvanized Extension - Left	4100070
6	Bin Insulator Gasket	0400231
7	Bin Insulator	2601968
8	Motor Shaft Sleeve	2602236
9	Power Cord 115V - 60Hz Only	2600711
10	Vinyl Grommet	0905702
11	Motor Cover	4100024
12	Electrical Box Assembly	4100051
13	Electric Box Lid	1000507
14	Gear Motor	
a.	115V - 60Hz	020000620
b.	100V - 50/60Hz	020000620
c.	220V - 50Hz	5000345
d.	220V - 60Hz	5000345
e.	240V - 50Hz	5000345
15	Motor Insulator Spacer	2602208
16	Transformer	
a.	115V - 60Hz	1001424
b.	100V - 50/60Hz	5001087
c.	220V - 50Hz	5000967
d.	220V - 60Hz	5000967
e.	240V - 50Hz	5000967
17	24 Volt Relay	5000900
18	Transformer Relay Shield	5002242
19	Finger Guard	4100063
	Miscellaneous - Brackets, Screw, Etc.	
20	8x1/2" Stainless Steel Tapping Screw	0901001
21	Capacitor Bracket	4100051
22	10-32 ESNA Nut	0902316
23	Ground Screw	0903903
24	1/4-20 x 3/8" Bolt	0900635
25	Motor Brace	4570042
26	8x1/2" Stainless Steel Tapping Screw	0901001
27	Large Radiator Clamp	0903205
28	10-32 x 1/2" Screw	0901301
29	1/4 x 5/8" Spring Pin	0905005

M-15 A & B Exploded View - FRONT

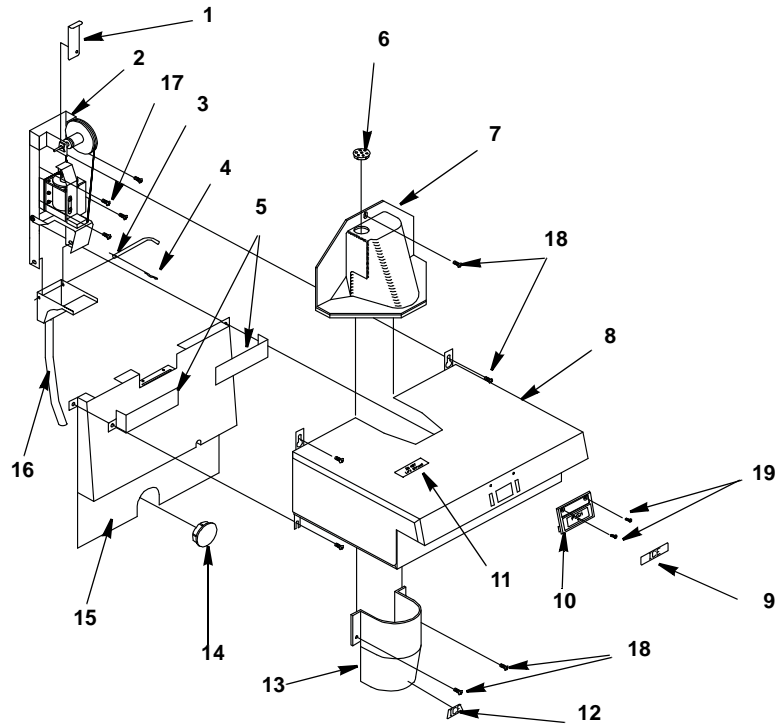


No Longer in Production

DESCRIPTION

			PART NO.
1	Fake Valve Alignment Brace	4100006	
2	Door Assembly (Solenoid not included)	4105908	
3	Drip Pan Rod	4100000	
4	Hitch Pin	0905209	
5	Push-plate (A Only)	4100054	
6	UL Cover Top Angle (2 Required)	4100069	
7	Vented Heyco Plug	1200321	
8	Fake Valve Cover	4105508	
9	"ICE" Sticker	0301299	
10	2 1/8" Heyco Plug	1200320	
11	UL Cover	4100022	
12	Drip Pan Assembly	4105901	
13	Push Plate Retaining Bracket (A Only)	4100007	
14	Inner Ice Shield	4100038	
15	Push Button (B Only)	5006080	
Miscellaneous - Brackets, Screw, Etc.			
16	8x1/2" Stainless Steel Tapping Screw	0901001	
17	10-32 x 1/2" Thumb Screw (A Only)	0901501	

M-15 C Exploded View - FRONT



No Longer in Production

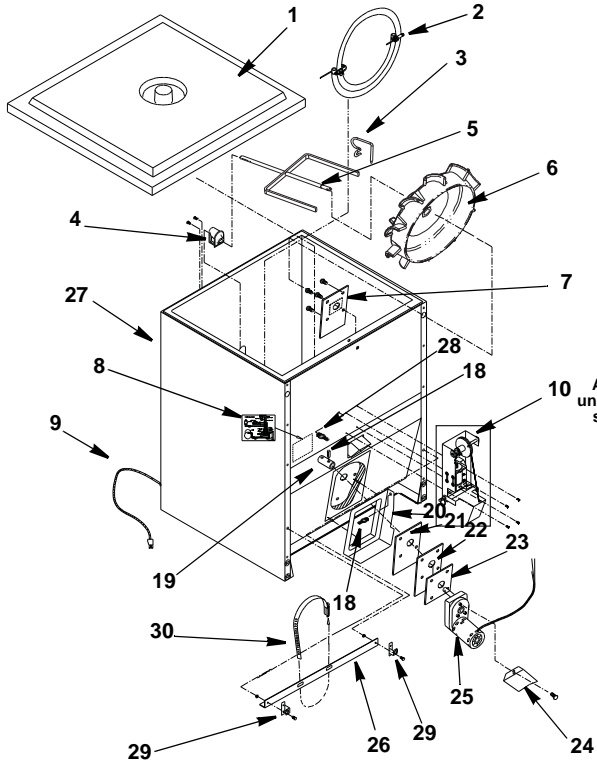
DESCRIPTION

		PART NO.
1	Fake Valve Alignment Brace	4100006
2	Door Assembly (Solenoid not included)	5002533
3	Drip Pan Rod	4100000
4	Hitch Pin	0905209
5	UL Cover Top Angle (2 Required)	4100069
6	Vented Heyco Plug	1200321
7	Solenoid Cover	4100076
8	False Valve Cover	5002229
9	"ICE" Sticker (Push Button)	5002538
10	Push Button	5002217
11	"DO NOT LIFT BY SHROUD" Sticker	5002473
12	"ICE" Sticker	0301299
13	Cover Chute	4100072
14	2 1/8" Heyco Plug	1200320
15	UL Cover	4100022
16	Drip Pan Assembly	4105901

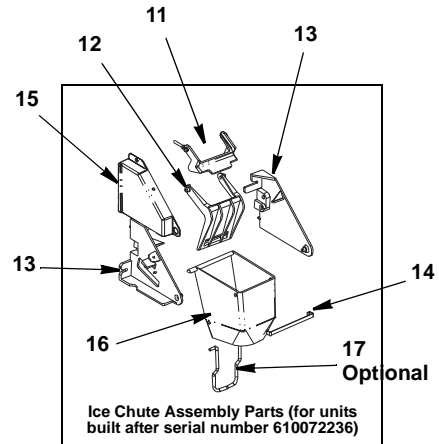
Miscellaneous - Brackets, Screw, Etc.

17	8x1/2" Stainless Steel Tapping Screw	0901001
18	8-32 x 1/2" Knurl Screw	0904403
19	6-32 x 3/8" Screw	5002197
20	Compressed Ice Agitator Kit (not shown)	5006903

M-45 & 90 Exploded View - BASE



Ice Door Assembly (for units built prior to serial number 610072236)



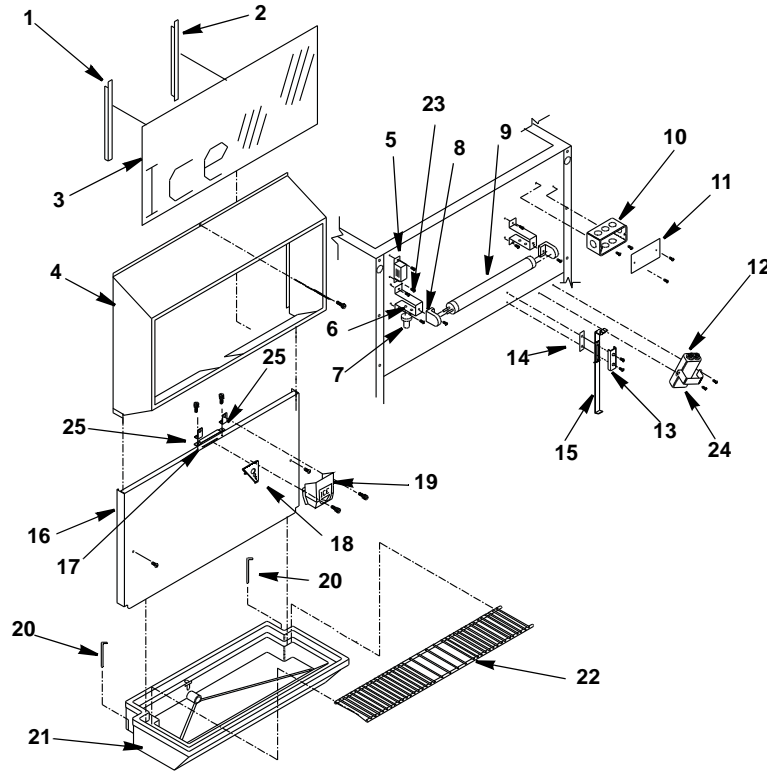
Ice Chute Assembly Parts (for units built after serial number 610072236)

020002403
020002404

DESCRIPTION

	PART NO.
1 Lid.....	4570035
2 Drain Kit.....	2602528
3 U-Bar Agitator Pin.....	5010452
4 Mushroom Bushing.....	0101702
5 Agitator.....	5010328
6 Paddle Wheel.....	2602235
7 Bin Insulator Plate.....	7015901
8 Wiring Diagram.....	5000016
9 Electric Cord.....	5008642
10 Door Assembly for units built prior to serial number 610072236 (Solenoid Not Included)	
a. M-45.....	4635907
b. M-90.....	4575918
11 Rocking Chute Door Lock for units built after serial number 610072236.....	5002509
12 Rocking Chute Door for units built after serial number 610072236.....	5002508
13 Kit RC Brackets 5V-A (Includes The Two New Brackets, Cover, Screw For for units built after serial number 610072236.....	020002673
14 Rocking Chute Outer Bracket for units built after serial number 610072236.....	5031384
15 Microswitch Splash Guard for units built after serial number 610072236.....	5029622
16 Drilled Rocking Chute for units built after serial number 610072236.....	020002665
17 OPTIONAL - Wire Sanitary Lever for units built after serial number 610072236.....	020002633
18 Motor Shaft Sleeve Roll Pin.....	0905005
19 Motor Shaft Sleeve.....	2602236
20 Cosmetic Motor Cover.....	Obsolete
21 Bin Insulator Gasket.....	0400231
22 Bin Insulator.....	2601968
23 Motor Insulator Spacer.....	2602208
24 Motor Cover	
a. M-45.....	4630035
b. M-90.....	Obsolete
25 Gear Motor	
a. 115V - 60Hz.....	020000620
b. 220/240V - 50/60Hz.....	5000345
26 Motor Brace.....	4570042
Miscellaneous - Brackets, Screw, Etc.	
27 Mushroom Bushing Screw.....	0901001
28 Stand Off Wire Tie.....	1000430
29 Splash Panel Clip.....	7060011
30 Extra Large Radiator Clamp.....	0903205

M-45 & 90 Exploded View - BASE



DESCRIPTION

1 Merchandiser UL Angle (Right)

- a. M-45
- b. M-90

2 Merchandiser UL Angle (Left)

- a. M-45
- b. M-90

3 Medallions

- a. PL - Ice for M-45
- b. PL - Ice for M-90
- c. PL with Valves - Ice for M-45
- d. PL with Valves - Ice for M-90
- e. PB - Ice for M-45
- f. PB - Ice for M-90
- g. PB with Valves - Ice for M-45
- h. PB with Valves - Ice for M-90
- i. PL - Pepsi for M-45
- j. PL - Pepsi for M-90
- k. PB with Valves - White for M-45
- l. PB with Valves - White for M-90
- m. PB with Valves - Clear for M-45
- n. PB with Valves - Clear for M-90

4 Merchandiser (Includes angles)

- a. M-45
- b. M-90

5 Ballast

- a. 120V - 60Hz
- b. 100V - 50/60Hz
- c. 220V - 50Hz
- d. 220V - 60Hz
- e. 240V - 50Hz

6 Starter Base

7 Fluorescent Starter

8 Fluorescent Light Socket

9 Fluorescent Tube

10 Electric Box

11 Electric Box Cover

12 Capacitor

- a. 120V - 60Hz
- b. 100V - 50/60Hz
- c. 220V - 50Hz
- d. 220V - 60Hz
- e. 240V - 50Hz

13 Shoulder Plate

14 Microswitch Actuator Slide

15 Microswitch Actuator

- a. M-45
- b. M-90

16 Splash Panel

17 Push Plate Brace

18 Push Plate

19 Ice Chute

20 Drain Pan Pin

21 Drain Pan

22 Drain Pan Grid

Miscellaneous - Brackets, Screw, Etc.

- 23 Light Socket Bracket
- 24 Capacitor Bracket
- 25 Chute Mounting Bracket

PART NO.

4630025
4570052

4630027
4570064

5011999
5012000
N/A
N/A
N/A
N/A
N/A
N/A
N/A
N/A
N/A
N/A
5006730
N/A
N/A

020002193
020002194

1000315
5000870
5000348
5000349
5000350
020002168
1001005
1001001
1000318
4635906
1000507

1001741
1001710
5000344
5000344
5000343
7060016
7060002

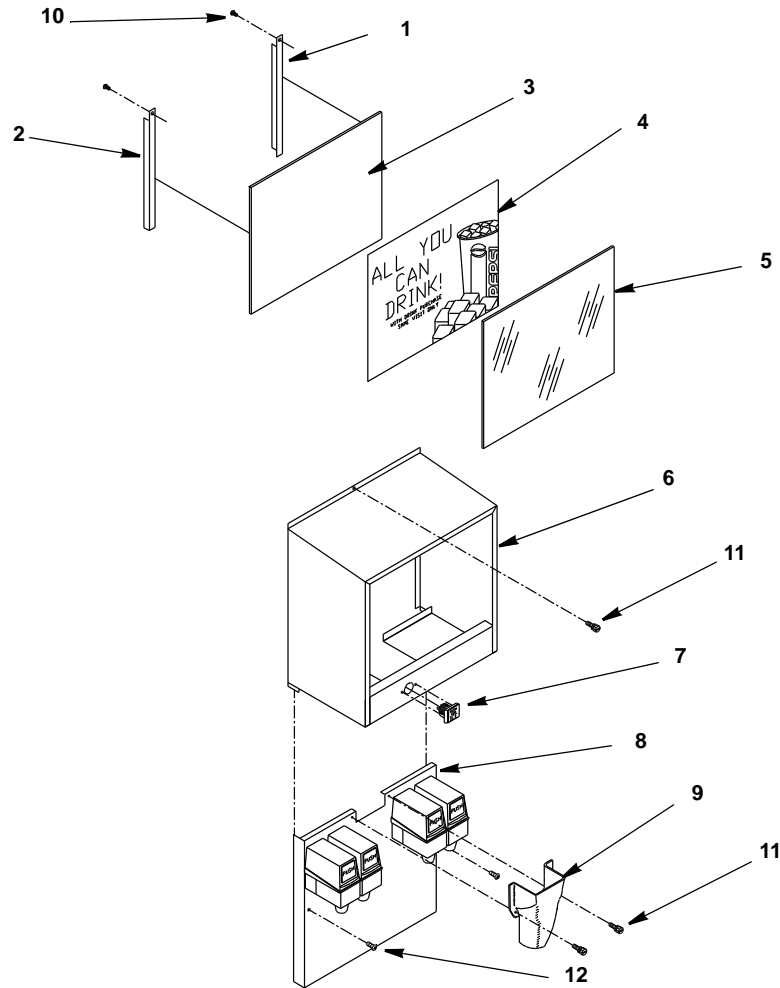
4630031
7010017
4570024
7010032
7060000
4575506
4140023
4575914
0100119

7050046
1001707
7010003

Not Shown

26	Motor Plate Bolts	0900636
27	Legs	
	a. 4" Plastic	5000684
	b. 4" Stainless	5001021
28	Empty Light 115V 60Hz	5006233
29	Ice Flow Restrictor	7012003
30	Push Button Switch Assembly	1001120
31	Transformer for Valves	
	a. 120V - 60Hz	1001424
	b. 100V - 50/60Hz	5001087
	c. 220V - 50Hz	5007111
	d. 220V - 60Hz	5007111
	e. 240V - 50Hz	5007111
32	Extended Splash Panel	
	a. Standard for M-45	N/A
	b. Punched for 4 Flomatic Valves (M-45)	N/A
33	Grid Lifter for M-90	4572039
34	Wiring harness	020002187

M-90 Exploded View - FRONT



DESCRIPTION

DESCRIPTION	PART NO.
1 Merchandiser Angle (Right)	4590054
2 Merchandiser Angle (Left)	4590057
3 Opaque Medallion	5000406
4 Trans-light - "All You Can Drink"	5000635
5 Clear Merchandiser	5000611
6 Merchandiser	020002194
7 Push for Ice Switch - 2" Square	1001120
8 Splash Panel Punched for 4 Valves	5000403
9 Ice Chute (for units built prior to serial number 610072236)	Obsolete

Miscellaneous - Brackets, Screw, Etc.

10 Medallion Screw	0901005
11 Knurled Screw	5008033
12 Splash Panel Screw	0901001