

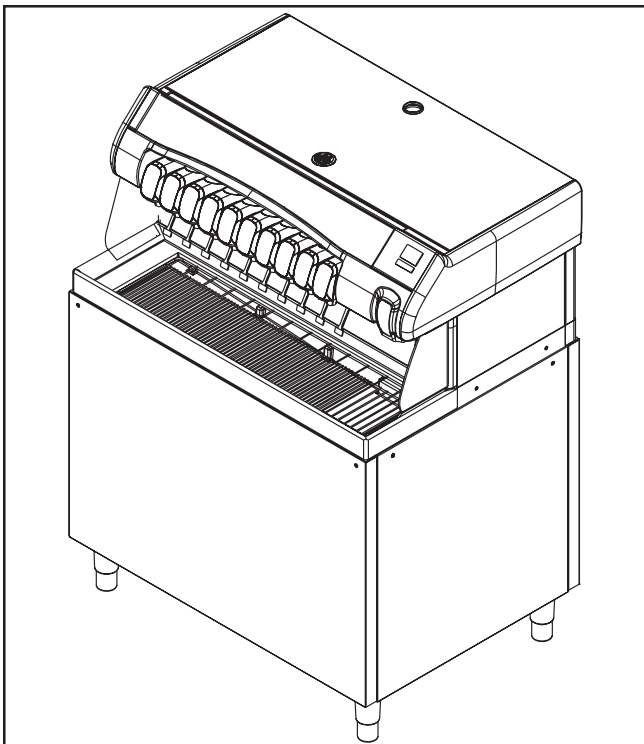
# LP-3

Beverage/Ice Dispenser



**Servend**®

## EXPLODED VIEW PARTS LIST



ISO 9001  
Quality System Certified



### Manitowoc Beverage Equipment

2100 Future Drive • Sellersburg, IN 47172-1868  
Tel: 812.246.7000, 800.367.4233 • Fax: 812.246.9922  
[www.manitowocbeverage.com](http://www.manitowocbeverage.com)

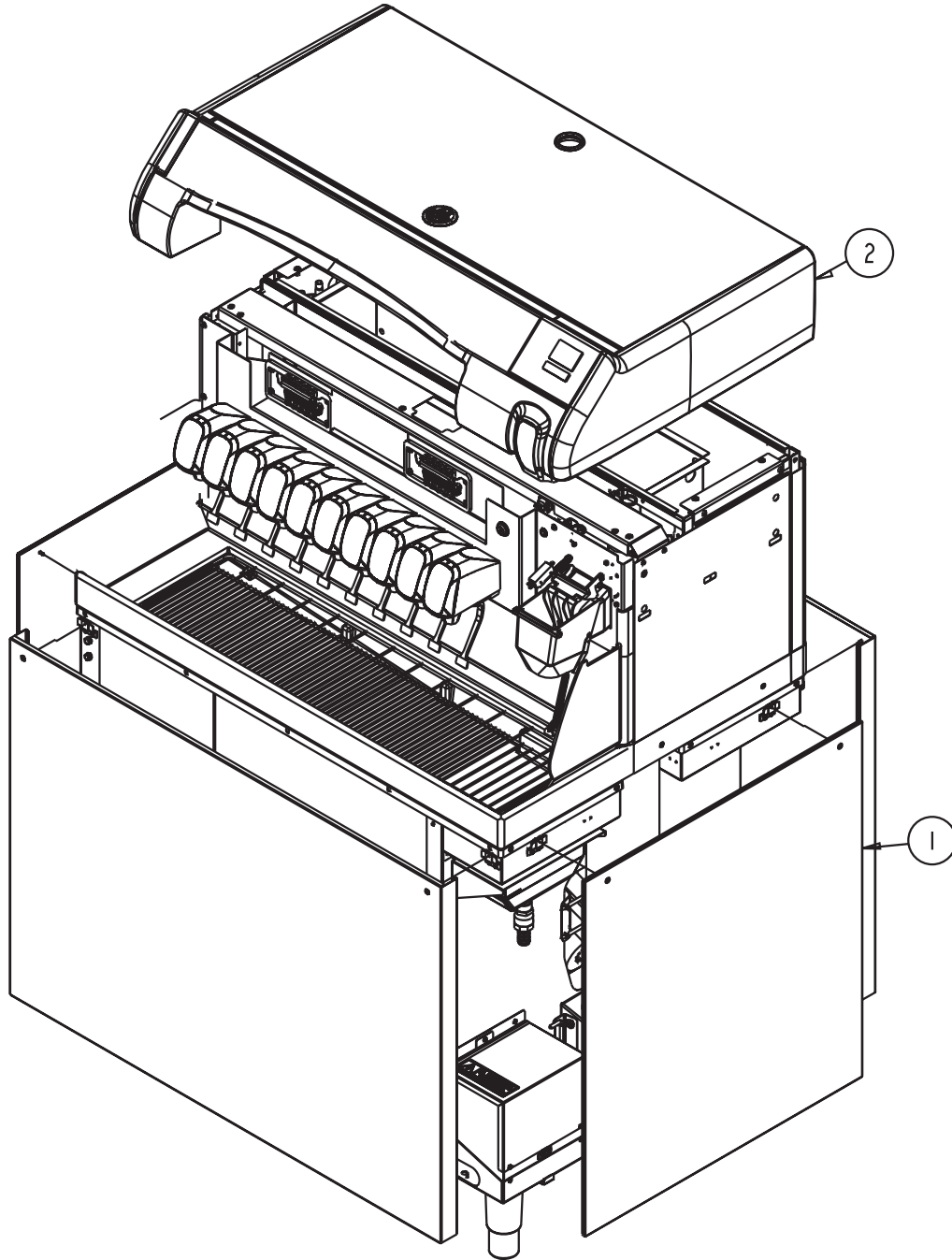
In accordance with our policy of continuous product development and improvement, this information is subject to change at any time without notice.





# EXPLODED VIEWS, PARTS & DIAGRAMS

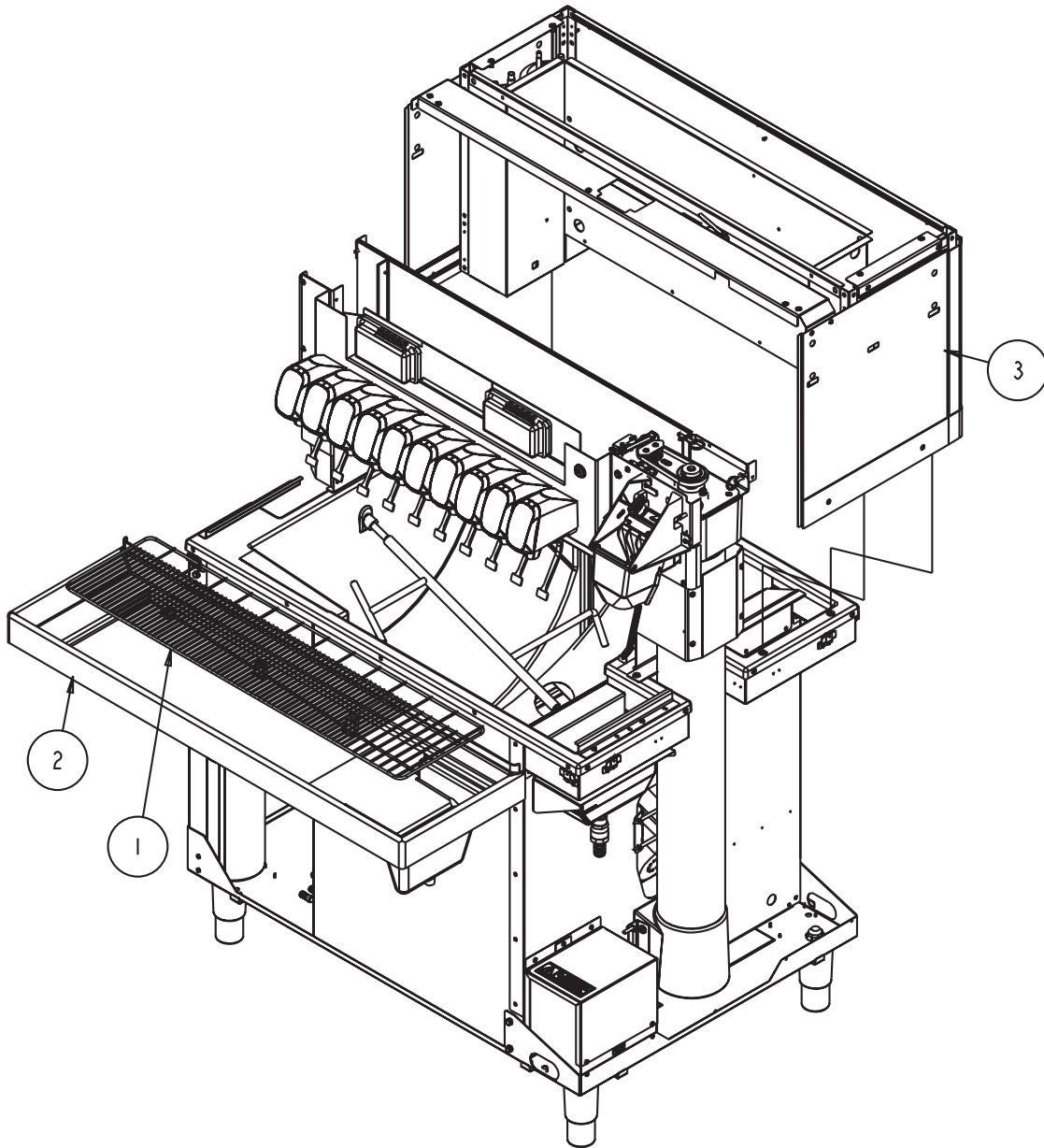
## COVERS & PANELS



| No. | Part Number | Description  |
|-----|-------------|--------------|
| 1   | 5029883     | CABINET GALV |
| 2   | 5031257     | COVER TOWER  |

# EXPLODED VIEWS, PARTS & DIAGRAMS

## SPLASH PANEL, DRAINPAN & CUBER

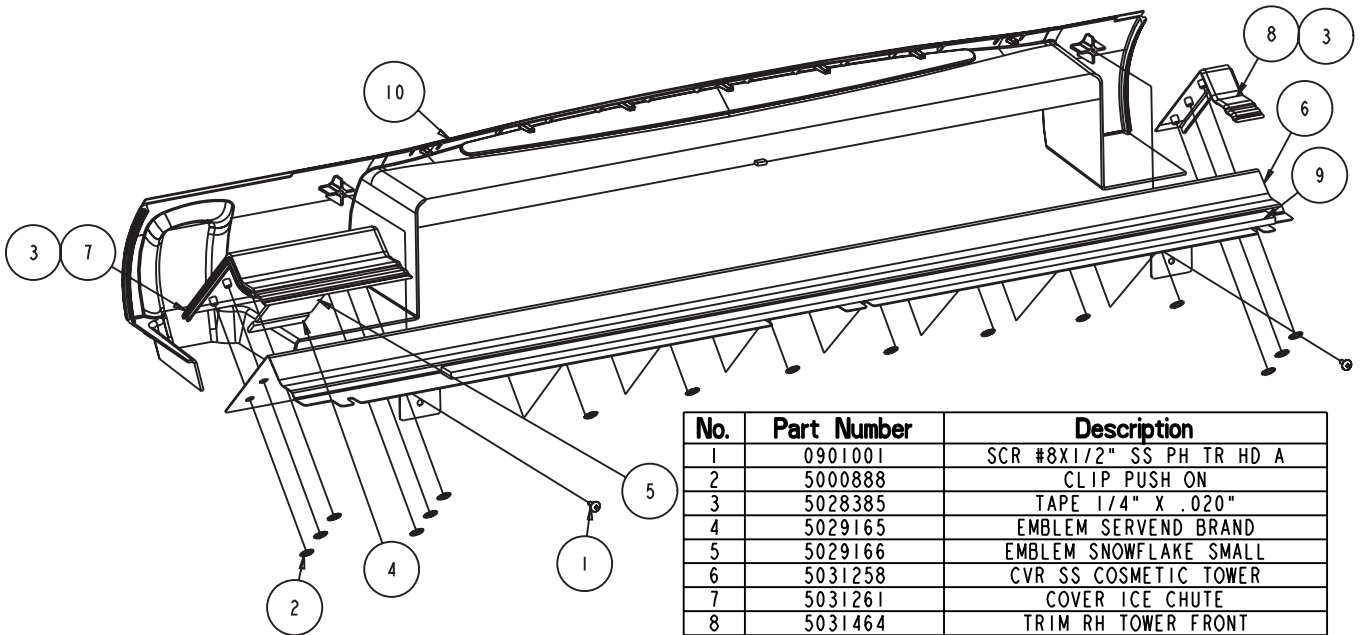
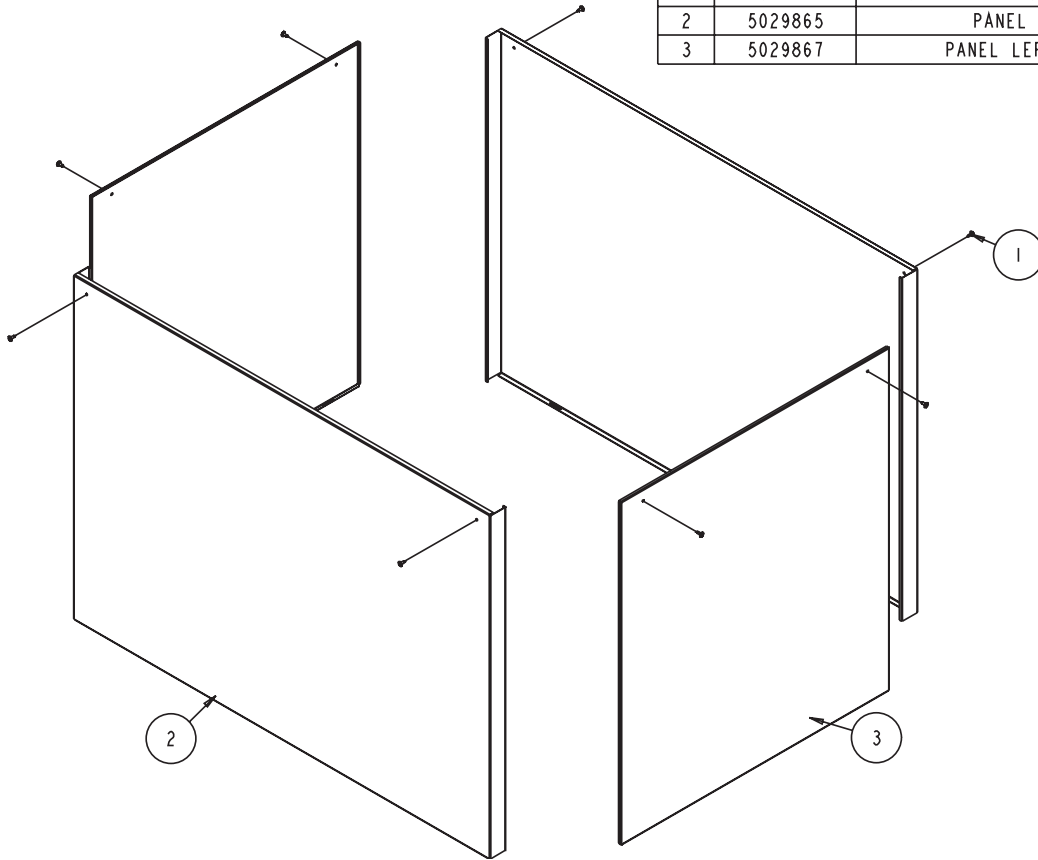


| No. | Part Number | Description |
|-----|-------------|-------------|
| 1   | 5012090     | GRID        |
| 2   | 5012238     | DRAINPAN RH |
| 3   | 5012311     | CUBER 120V  |

# EXPLODED VIEWS, PARTS & DIAGRAMS

## PANELS & VALVE COVER

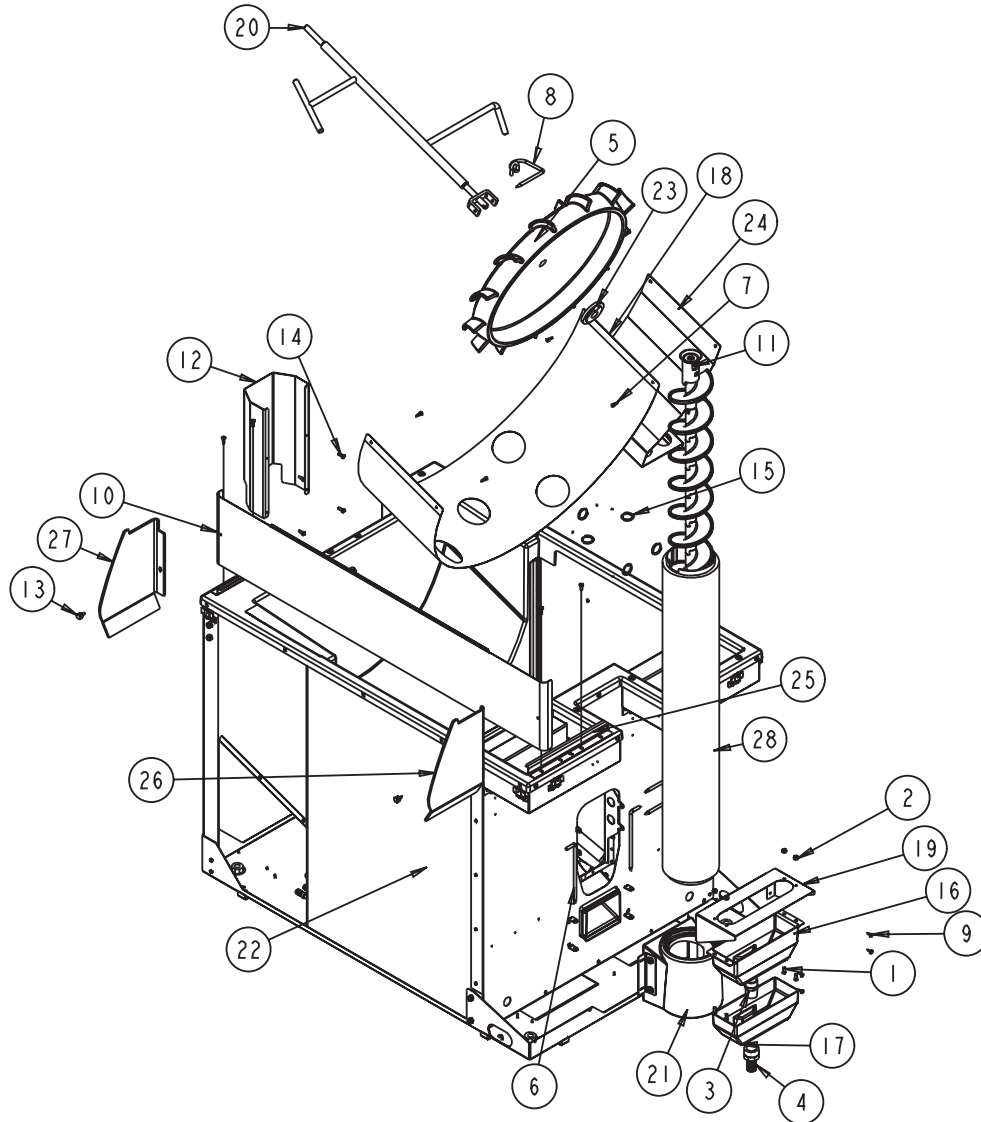
| No. | Part Number | Description               |
|-----|-------------|---------------------------|
| 1   | 0901001     | SCR #8X1/2" SS PH TR HD A |
| 2   | 5029865     | PANEL FRONT               |
| 3   | 5029867     | PANEL LEFT/RIGHT          |



| No. | Part Number | Description               |
|-----|-------------|---------------------------|
| 1   | 0901001     | SCR #8X1/2" SS PH TR HD A |
| 2   | 5000888     | CLIP PUSH ON              |
| 3   | 5028385     | TAPE 1/4" X .020"         |
| 4   | 5029165     | EMBLEM SERVEND BRAND      |
| 5   | 5029166     | EMBLEM SNOWFLAKE SMALL    |
| 6   | 5031258     | CVR SS COSMETIC TOWER     |
| 7   | 5031261     | COVER ICE CHUTE           |
| 8   | 5031464     | TRIM RH TOWER FRONT       |
| 9   | 5031547     | GASKET TOWER COVER        |
| 10  | 5031649     | COVER VALVE               |

# EXPLODED VIEWS, PARTS & DIAGRAMS

## AUGER, AGITATION & DRAIN

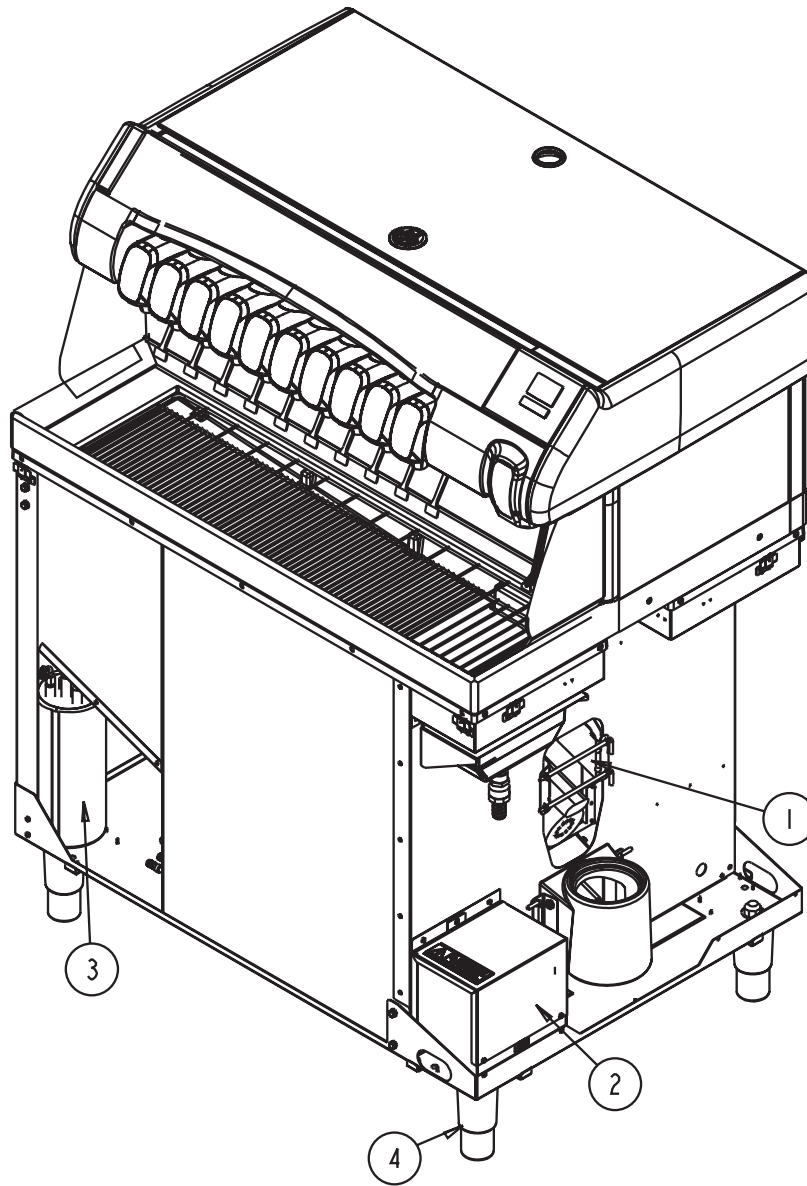


| No. | Part Number | Description                     |
|-----|-------------|---------------------------------|
| 1   | 0901301     | SCR 10-32 X 1/2 HEX MACH        |
| 2   | 0902316     | NUT 10-32 ESNA ZINC             |
| 3   | 1200101     | ADAPTER 3/4" MALE CPVC          |
| 4   | 1200121     | FITTING 3/4" FEMALE BURB        |
| 5   | 2601415     | PADDLEWHEEL "REF. DWG. 7060001" |
| 6   | 4140023     | PIN RETAINING                   |
| 7   | 5000711     | SCR 8-32 X 1/2" KNURL UNSLOT    |
| 8   | 5010452     | PIN U-BAR AGITATOR              |
| 9   | 5011940     | SCREW 8-32 X 1/2                |
| 10  | 5012013     | PANEL SPLASH                    |
| 11  | 5012321     | AUGER                           |
| 12  | 5012557     | BRKT SYRUP LINE RETAINING       |
| 13  | 5012790     | SCR 10-32X1/2 KNURL UNSLT       |
| 14  | 5012794     | SCR 10-32 X 1/2 HEX MACH        |

| No. | Part Number | Description                |
|-----|-------------|----------------------------|
| 15  | 5012800     | PIN 1/4" DIA X .6 SHOULDER |
| 16  | 5012819     | DRAIN                      |
| 17  | 5013840     | INSUL DRAINPAN             |
| 18  | 5028888     | LINER BIN                  |
| 19  | 5029458     | BRKT DRAINPAN DRAIN        |
| 20  | 5029807     | AGITATOR                   |
| 21  | 5029875     | AUGER TRANSITION           |
| 22  | 5029878     | BIN                        |
| 23  | 5030576     | BUSHING PADDLE WHEEL       |
| 24  | 5030776     | BRACKET SUPPORT BIN LINER  |
| 25  | 5031060     | SUPPORT DRAINPAN           |
| 26  | 5031461     | GUARD RH SPLASH            |
| 27  | 5031462     | GUARD LH SPLASH            |
| 28  | 5031508     | TUBE AUGER INSULATED       |

# EXPLODED VIEWS, PARTS & DIAGRAMS

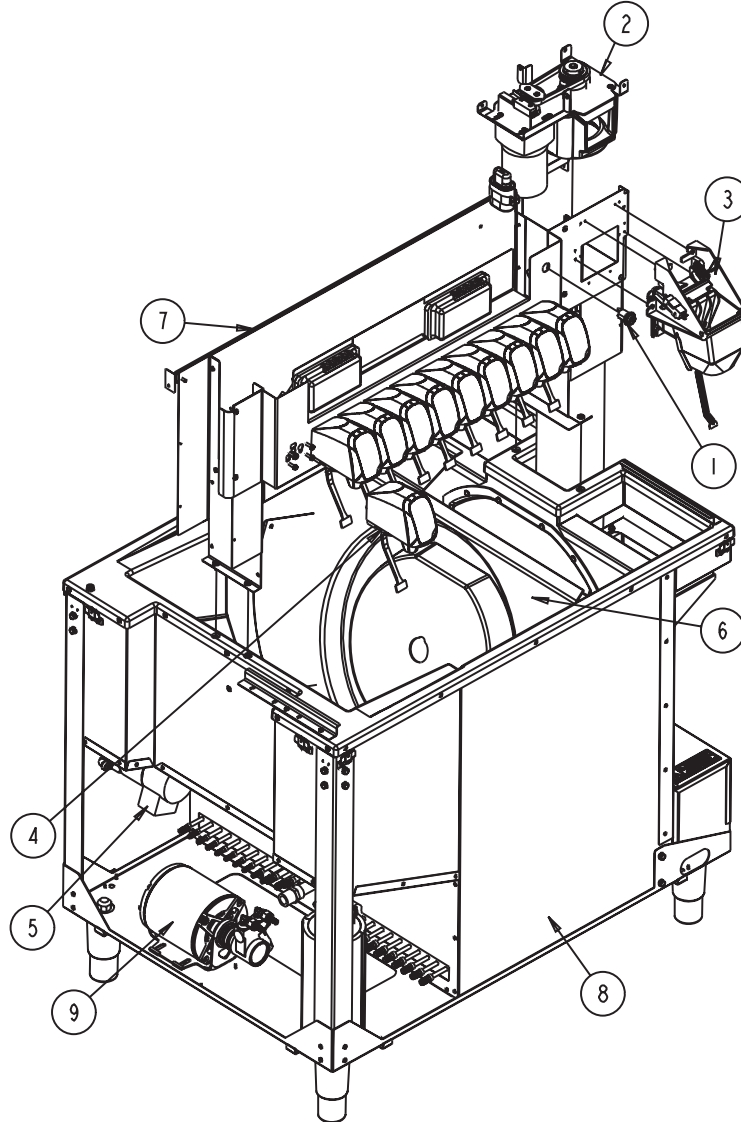
## LEGS, CARB TANK & ELECTRIC BOX



| No. | Part Number | Description    |
|-----|-------------|----------------|
| 1   | 5029874     | MNT MOTOR 120V |
| 2   | 5029876     | ELEC 120/60    |
| 3   | 5029887     | TANK CARB      |
| 4   | 5030236     | LEG            |

# EXPLODED VIEWS, PARTS & DIAGRAMS

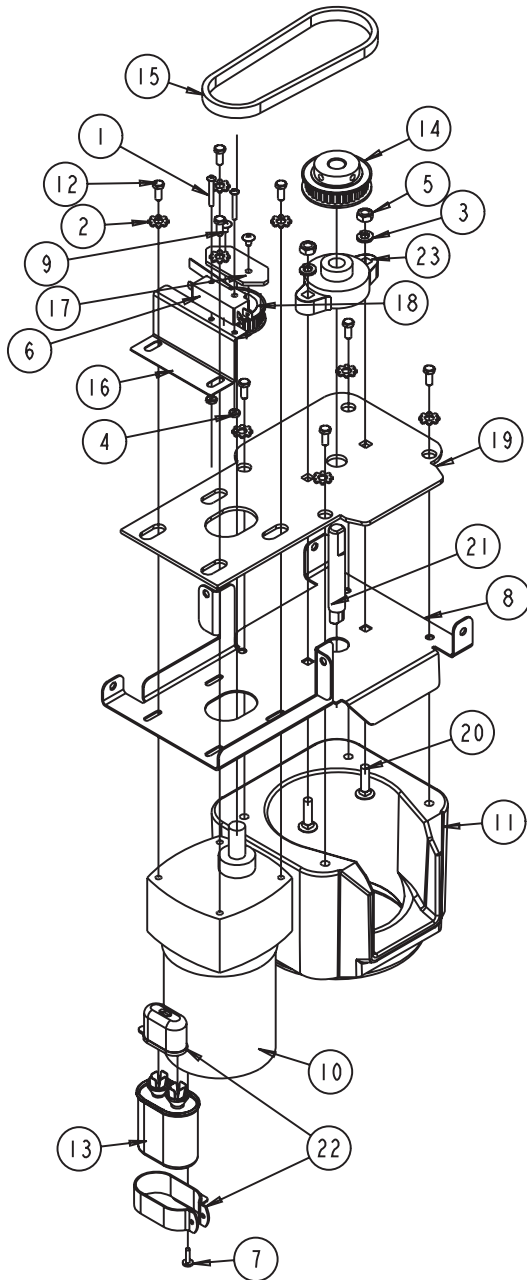
## AUGER DRIVE, VALVE MOUNT, ROCKING CHUTE, PUMP



| No. | Part Number | Description               |
|-----|-------------|---------------------------|
| 1   | 5000220     | KEYSWITCH                 |
| 2   | 5012308     | AUGER DRIVE 120V          |
| 3   | 5012326     | CHUTE ROCKING             |
| 4   | 5012615     | VLV FLO 464HF SL GP COVER |
| 5   | 5014007     | PUMP RECIRC 120V          |
| 6   | 5028889     | AREA RH PADDLEWHEEL       |
| 7   | 5029872     | CAP VLV MNT RH            |
| 8   | 5029884     | BOM BASE                  |
| 9   | 5029888     | PUMP CARB 120V            |

# EXPLODED VIEWS, PARTS & DIAGRAMS

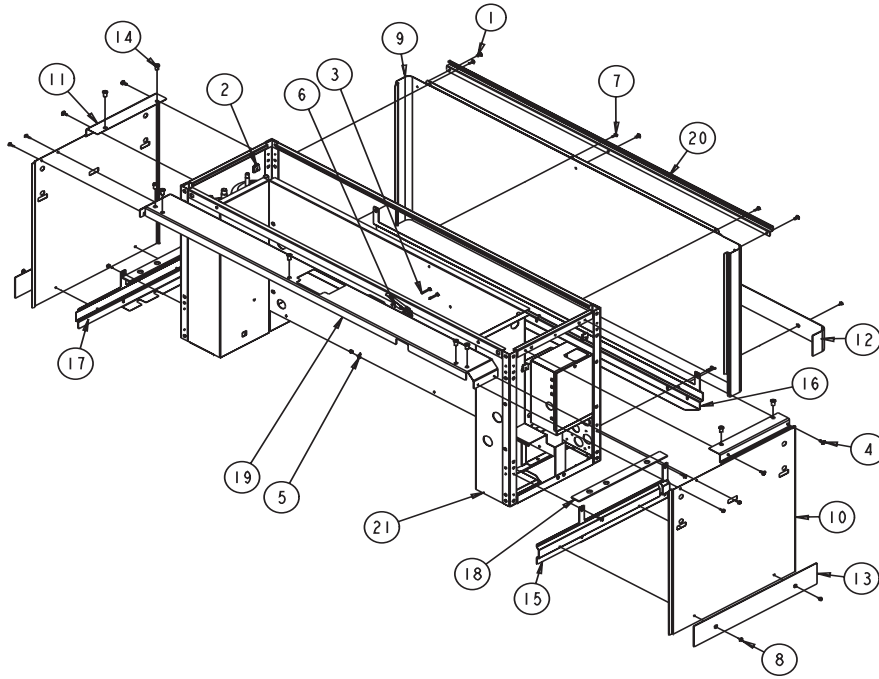
## 120V AUGER DRIVE



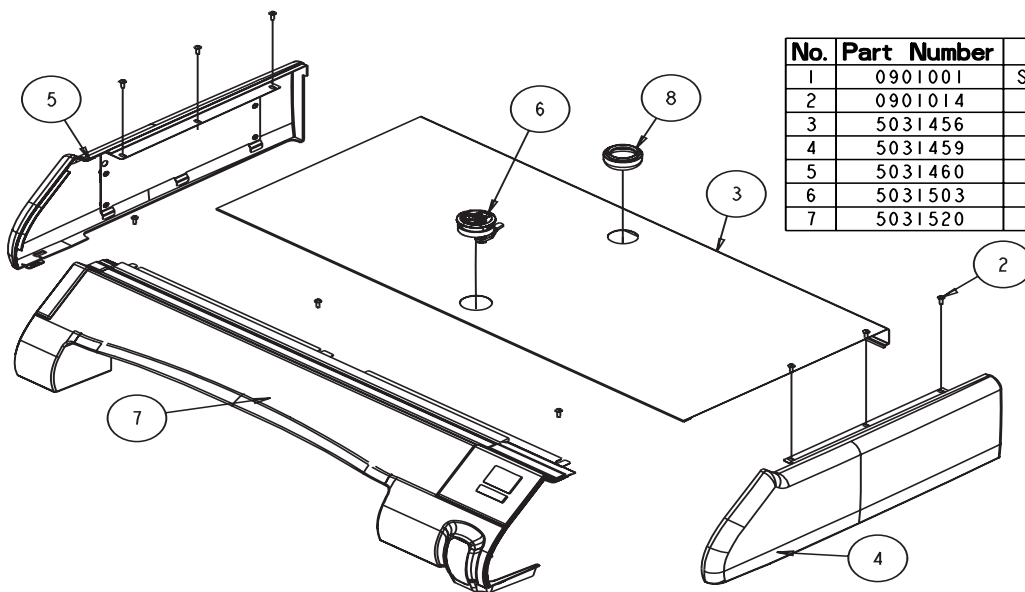
| No. | Part Number | Description                |
|-----|-------------|----------------------------|
| 1   | 0900901     | SCR 6-32 X 1" SS PH RHMS   |
| 2   | 0901901     | WASHER LOCK #10 STAR EXT   |
| 3   | 0901904     | 1/4 LOCK WASHER            |
| 4   | 0902101     | NUT 6-32 HEX SS            |
| 5   | 0902105     | NUT 1/4"-20 SS HEX         |
| 6   | 1000703     | MICROSWITCH                |
| 7   | 5011936     | SCR 8-32 X 1/2 GRND ZINC   |
| 8   | 5012027     | BRKT AUGER MOTOR           |
| 9   | 5012081     | SCREW 8-32 X 1/4" PH PS    |
| 10  | 5012094     | MOTOR AUGER                |
| 11  | 5012239     | CHUTE AUGER ICE            |
| 12  | 5012794     | SCR 10-32 X 1/2 HEX MACH   |
| 13  | 5012796     | CAPAC 370VAC 5MFD RUN      |
| 14  | 5012798     | PULLEY AUGER 30 TOOTH      |
| 15  | 5012799     | BELT PULLEY                |
| 16  | 5013590     | BRACKET REVERSE SWITCH     |
| 17  | 5013591     | CAM REVERSE ACTUATOR       |
| 18  | 5013616     | PULLEY DRILLED & TAPPED    |
| 19  | 5013706     | INSUL TOP TRANSITION       |
| 20  | 5013793     | BOLT 1/4"-20 X 1" CARRIAGE |
| 21  | 5031044     | ROD TOP AUGER              |
| 22  | 5031679     | KIT CAPACITOR MOUNTING     |
| 23  | 5031725     | BEARING BALL 1/2 IN BORE   |

# EXPLODED VIEWS, PARTS & DIAGRAMS

## 120V CUBER & TOP COVER



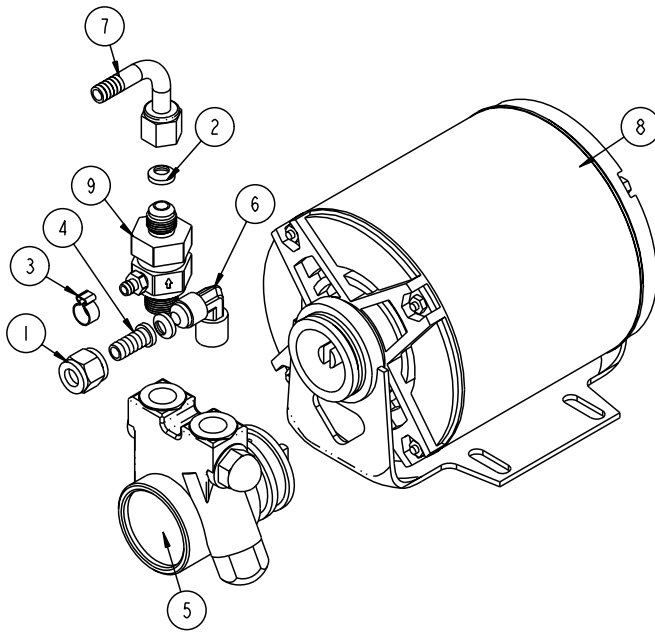
| No. | Part Number | Description               |
|-----|-------------|---------------------------|
| 1   | 0900113     | POP RVT #44 LG FL SS      |
| 2   | 0900240     | CLIP TINN CI9172824       |
| 3   | 0900901     | SCR 6-32 X 1" SS PH RHMS  |
| 4   | 0901001     | SCR #8X1/2" SS PH TR HD A |
| 5   | 0902101     | NUT 6-32 HEX SS           |
| 6   | 1000703     | MICROSWITCH               |
| 7   | 5011940     | SCREW 8-32 X 1/2          |
| 8   | 5012281     | SCREW 8-32 X 1/4 ES FORM  |
| 9   | 5012891     | WRAP BACK                 |
| 10  | 5012892     | WRAP RIGHT                |
| 11  | 5012893     | WRAP LEFT                 |
| 12  | 5012933     | TRIM EVAPORATOR WRAP BACK |
| 13  | 5012934     | TRIM EVAPORATOR WRAP SIDE |
| 14  | 5029806     | RIVNUT 10-32              |
| 15  | 5029830     | BRACE RT SIDE PANEL       |
| 16  | 5029831     | BRACE BACK PANEL          |
| 17  | 5029832     | BRACE LFT SIDE PANEL      |
| 18  | 5031078     | SPACER ICEMAKER           |
| 19  | 5031396     | BRACE TOWER COVER HORIZ   |
| 20  | 5031502     | SUPPORT LID BACK          |
| 21  | 5031580     | CUBER BRAZED EXT          |



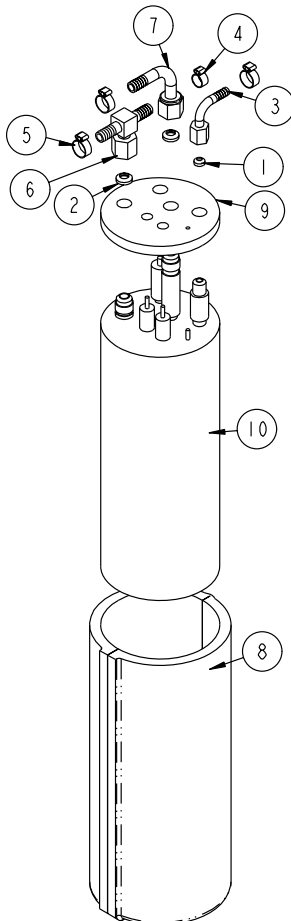
| No. | Part Number | Description               |
|-----|-------------|---------------------------|
| 1   | 0901001     | SCR #8X1/2" SS PH TR HD A |
| 2   | 0901014     | 10-32 x 5/8 screw         |
| 3   | 5031456     | COVER COSMETIC TOWER      |
| 4   | 5031459     | CAP RIGHT SIDE PLASTIC    |
| 5   | 5031460     | CAP LEFT SIDE PLASTIC     |
| 6   | 5031503     | LATCH LIFT AND TURN       |
| 7   | 5031520     | COVER VALVE               |

# EXPLODED VIEWS, PARTS & DIAGRAMS

## 120V CARB PUMP & TANK ASSEMBLY



| No. | Part Number | Description                            |
|-----|-------------|--|
| 1   | 1701110     | NUT 3/8"X9/16" SWIVEL FITTING          |
| 2   | 1701115     | Washer 3/8" Black Nylon                |
| 3   | 1701301     | CLAMP OTR 1/2" 13.3-706R               |
| 4   | 5009025     | FITTING SWIVEL 3/8" BARB               |
| 5   | 5009613     | PUMP HEAD CARB 125 GPH                 |
| 6   | 5009983     | FITTING 3/8X3/8 NPT ELBOW              |
| 7   | 5010781     | FITTING 3/8 BARB SW/ELBOW              |
| 8   | 5028931     | MOTOR CARB PUMP 115V                   |
| 9   | 5031042     | VALVE CHK VENTED 3/8" NPT X 3/8" FLARE |
| 10  | 5030533     | TUBE CARB TANK PURGE                   |

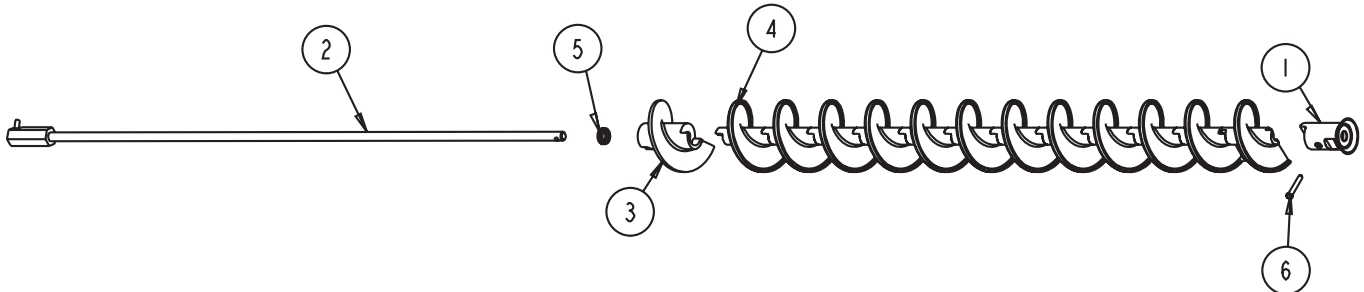


| No. | Part Number | Description                            |
|-----|-------------|--|
| 1   | 1701113     | Washer 1/4" White Nylon                |
| 2   | 1701115     | Washer 3/8" Black Nylon                |
| 3   | 1701150     | Nut 1/4 x 3/8 90 Degree Swivel w/Elbow |
| 4   | 1701301     | CLAMP OTR 1/2" 13.3-706R               |
| 5   | 5000395     | CLAMP OTR 3/8" 15.7-706R               |
| 6   | 5010143     | FITTING SWVL 3/8 BARB TEE              |
| 7   | 5010781     | FITTING 3/8 BARB SW/ELBOW              |
| 8   | 5011894     | INSUL CARB TANK WRAP                   |
| 9   | 5011895     | INSUL CARB TANK TOP                    |
| 10  | 5030321     | TANK CARB VERT W/ TUBE                 |

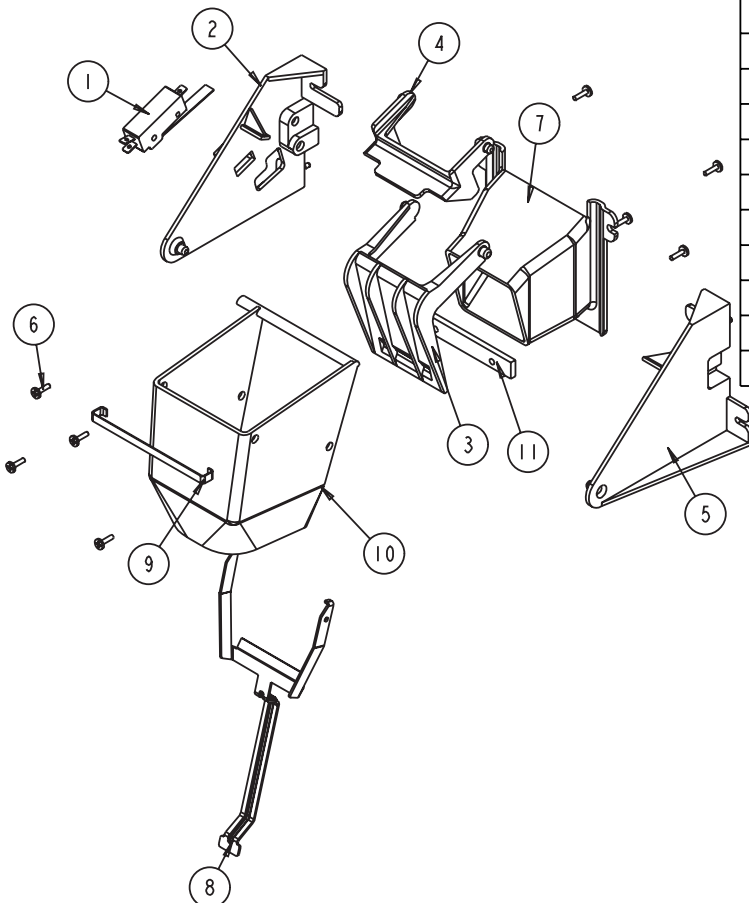
# EXPLODED VIEWS, PARTS & DIAGRAMS

## AUGER & ROCKING CHUTE

| No. | Part Number | Description                 |
|-----|-------------|-----------------------------|
| 1   | 5031043     | COUPLING AUGER TOP          |
| 2   | 5031045     | ROD AUGER                   |
| 3   | 5031190     | FLIGHT BOTTOM AUGER, ACETAL |
| 4   | 5031191     | FLIGHT AUGER, ACETAL        |
| 5   | 5031217     | SHIM AUGER                  |
| 6   | 37-1208-3   | PIN COTTERLESS CLEVIS       |

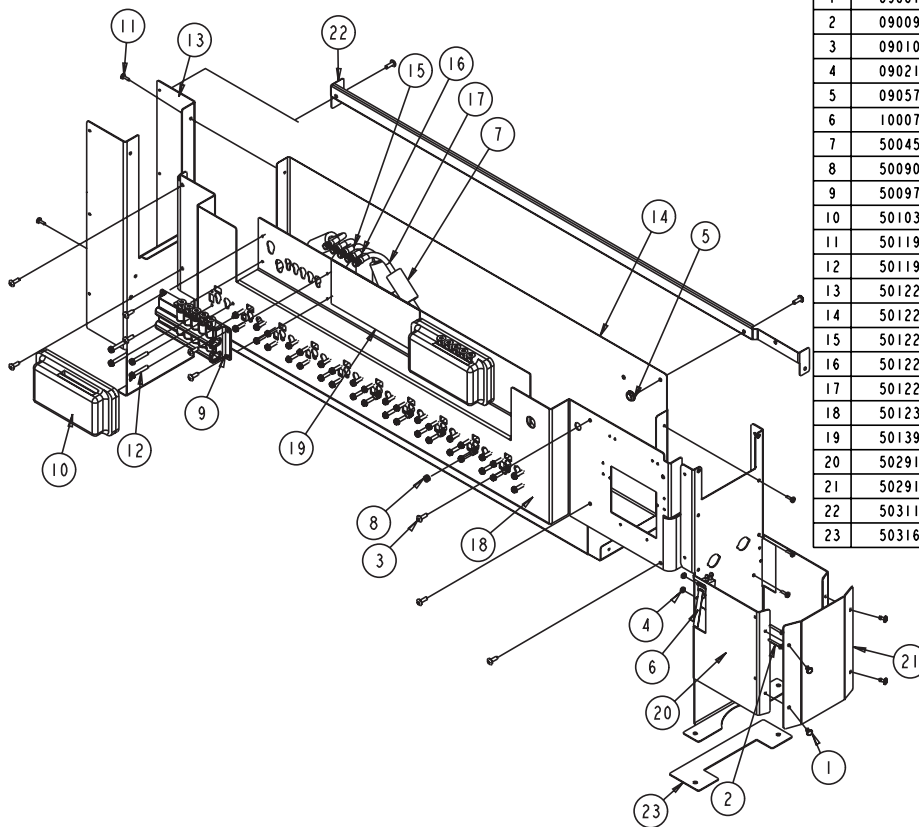


| No. | Part Number | Description                    |
|-----|-------------|--------------------------------|
| 1   | 1000703     | MICROSWITCH                    |
| 2   | 5002507     | MOUNT ROCKING CHUTE DOOR LEFT  |
| 3   | 5002508     | DOOR ROCKING CHUTE             |
| 4   | 5002509     | LOCK ROCKING CHUTE DOOR        |
| 5   | 5002657     | MOUNT ROCKING CHUTE DOOR RIGHT |
| 6   | 5011940     | SCREW 8-32 X 1/2               |
| 7   | 5012235     | CHUTE VACUUM FORMED            |
| 8   | 5014082     | LEVER RC BLK SANI OPA          |
| 9   | 5031384     | BRACKET ROCKING CHUTE OUTER    |
| 10  | 5031559     | CHUTE DRILLED ROCKING          |
| 11  | 5031633     | SHIM ICE CHUTE                 |

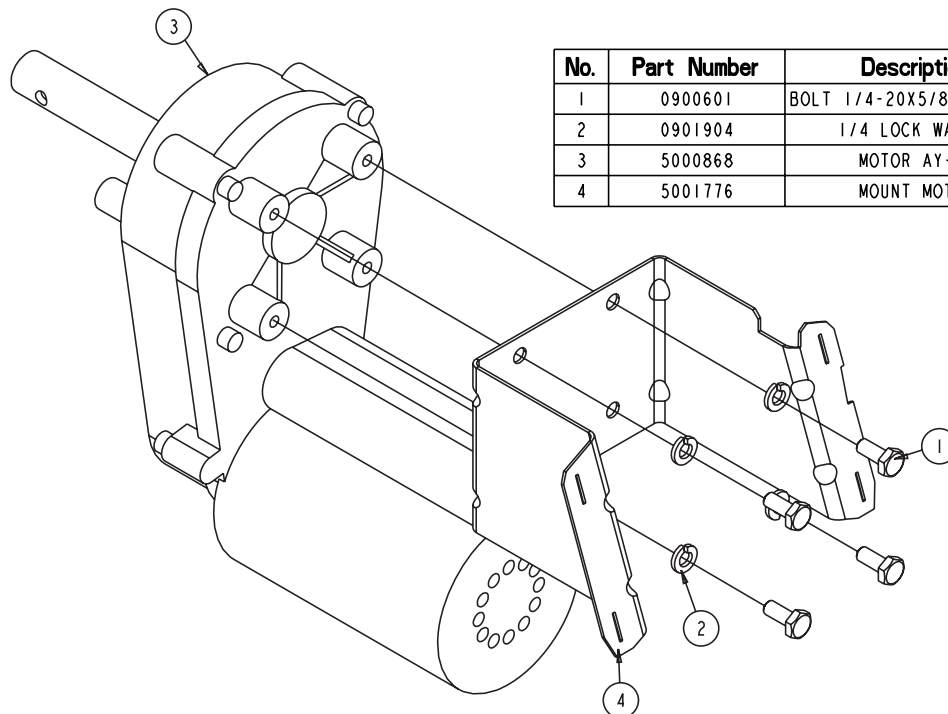


# EXPLODED VIEWS, PARTS & DIAGRAMS

## VALVE MOUNT CAP & AGITATOR MOTOR



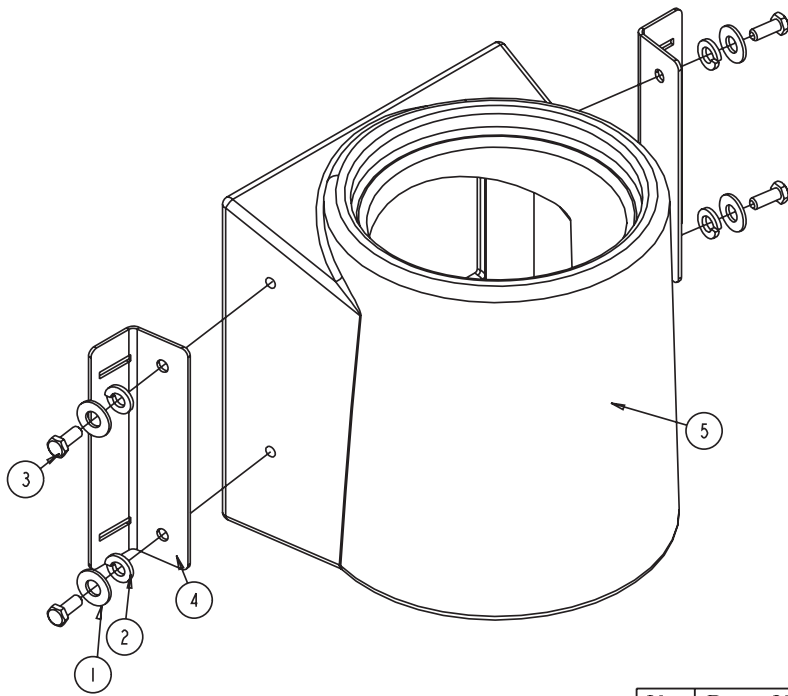
| No. | Part Number | Description                   |
|-----|-------------|-------------------------------|
| 1   | 0900113     | POP RVT #44 LG FL SS          |
| 2   | 0900901     | SCR 6-32 X 1" SS PH RHMS      |
| 3   | 0901014     | 10-32 x 5/8 screw             |
| 4   | 0902101     | NUT 6-32 HEX SS               |
| 5   | 0905702     | GROMMET 3/8" VINYL            |
| 6   | 1000703     | MICROSWITCH                   |
| 7   | 5004532     | INSUL 1/4 X 3/8 PIPE RUBATX   |
| 8   | 5009080     | O10 O-RING .239 ID X .070 W   |
| 9   | 5009780     | 5 PORT MANIFOLD ASSEMBLY      |
| 10  | 5010332     | INSUL MANIFOLD INT CARB       |
| 11  | 5011940     | SCREW 8-32 X 1/2              |
| 12  | 5011953     | SCR 10-24X1-1/4 SELF TAP      |
| 13  | 5012219     | BRACKET VALVE MOUNT CAP/SYRUP |
| 14  | 5012220     | ENCLOSURE NSF                 |
| 15  | 5012241     | LINE MANIFOLD WTR SHORT       |
| 16  | 5012242     | LINE MANIFOLD WTR MIDDLE      |
| 17  | 5012243     | LINE MANIFOLD WTR LONG        |
| 18  | 5012333     | CAP VLV MNT 10V OFFSET        |
| 19  | 5013990     | LABEL MANIFOLD 10 VALVE       |
| 20  | 5029139     | BRKT VLV MNT CAP              |
| 21  | 5029140     | BRACE SPLASH PANEL            |
| 22  | 5031168     | SUPPORT ICE MAKER             |
| 23  | 5031678     | SHIM TOWER                    |



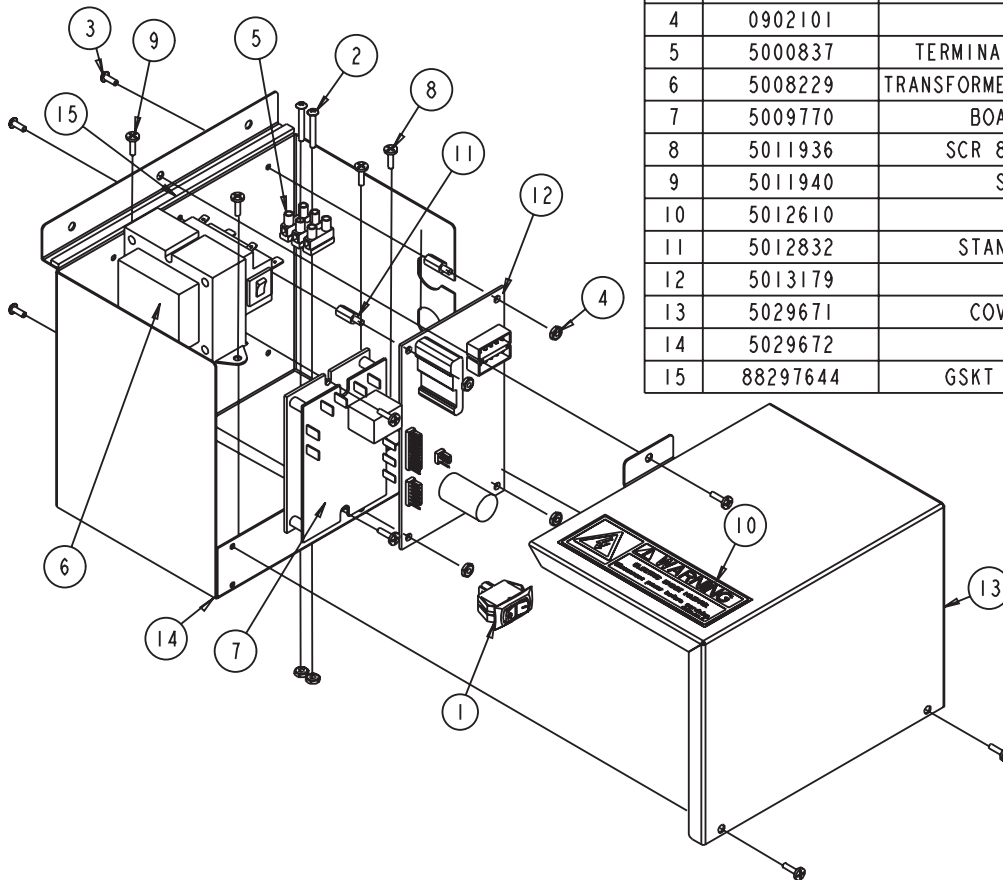
| No. | Part Number | Description              |
|-----|-------------|--------------------------|
| 1   | 0900601     | BOLT 1/4-20X5/8" SS HHCS |
| 2   | 0901904     | 1/4 LOCK WASHER          |
| 3   | 5000868     | MOTOR AY-62              |
| 4   | 5001776     | MOUNT MOTOR              |

# EXPLODED VIEWS, PARTS & DIAGRAMS

## AUGER TRANSITION & 120V ELECTRIC BOX

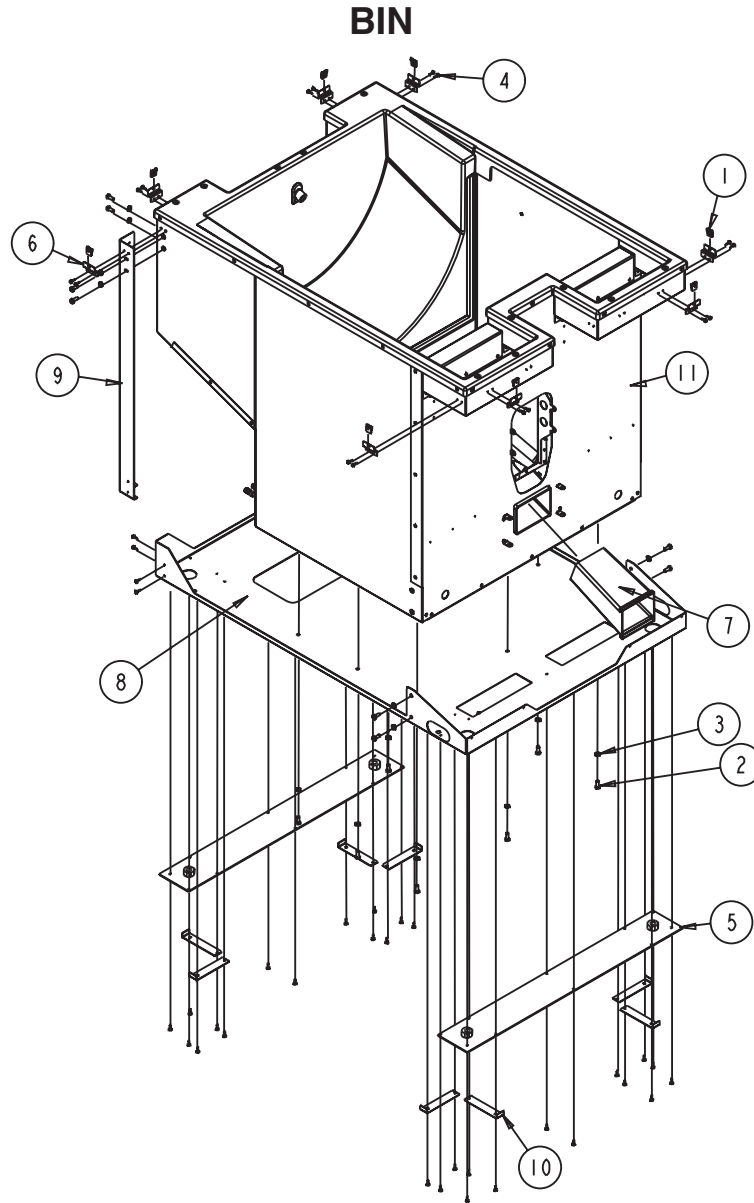


| No. | Part Number | Description              |
|-----|-------------|--------------------------|
| 1   | 0901805     | WASHER 1/4" FLAT SS      |
| 2   | 0901904     | 1/4 LOCK WASHER          |
| 3   | 5012794     | SCR 10-32 X 1/2 HEX MACH |
| 4   | 5028942     | BRKT TRANSITION          |
| 5   | 5028986     | TRANSITION AUGER BOTTOM  |



| No. | Part Number | Description                        |
|-----|-------------|------------------------------------|
| 1   | 00804437    | SWITCH SPST 16A 3/4HP              |
| 2   | 0900901     | SCR 6-32 X 1" SS PH RHMS           |
| 3   | 0900904     | SCREW 6-32X3/8" SS PH RHMS         |
| 4   | 0902101     | NUT 6-32 HEX SS                    |
| 5   | 5000837     | TERMINAL BLOCK EUROPEAN STYLE      |
| 6   | 5008229     | TRANSFORMER 75VA 120V WITH BREAKER |
| 7   | 5009770     | BOARD LL CTRL 120/60               |
| 8   | 5011936     | SCR 8-32 X 1/2 GRND ZINC           |
| 9   | 5011940     | SCREW 8-32 X 1/2                   |
| 10  | 5012610     | LABEL WARNING                      |
| 11  | 5012832     | STANDOFF CIRCUIT BOARD             |
| 12  | 5013179     | BOARD CTRL                         |
| 13  | 5029671     | COVER ELECTRICAL BOX               |
| 14  | 5029672     | BOX ELECTRICAL                     |
| 15  | 88297644    | GSKT 2A WHT 1/8X1/4"X50'           |

# EXPLODED VIEWS, PARTS & DIAGRAMS



| No. | Part Number | Description              |
|-----|-------------|--------------------------|
| 1   | 0900240     | CLIP TINN C191728Z4      |
| 2   | 0900601     | BOLT 1/4-20X5/8" SS HHCS |
| 3   | 0901904     | 1/4 LOCK WASHER          |
| 4   | 5011940     | SCREW 8-32 X 1/2         |
| 5   | 5012214     | PLATE LEG                |
| 6   | 5013991     | BRKT PANEL               |
| 7   | 5028985     | CHUTE BTM ICE            |
| 8   | 5029219     | BASE PLATE               |
| 9   | 5029293     | BRACKET VERTICAL SUPPORT |
| 10  | 5029869     | HOOK BTM PANEL           |
| 11  | 5029873     | BIN ICE STORAGE          |



**Manitowoc Beverage Equipment**

2100 Future Drive • Sellersburg, IN 47172-1868  
Tel: 812.246.7000, 800.367.4233 • Fax: 812.246.9922  
[www.manitowocbeverage.com](http://www.manitowocbeverage.com)

In accordance with our policy of continuous product development and improvement, this information is subject to change at any time without notice.