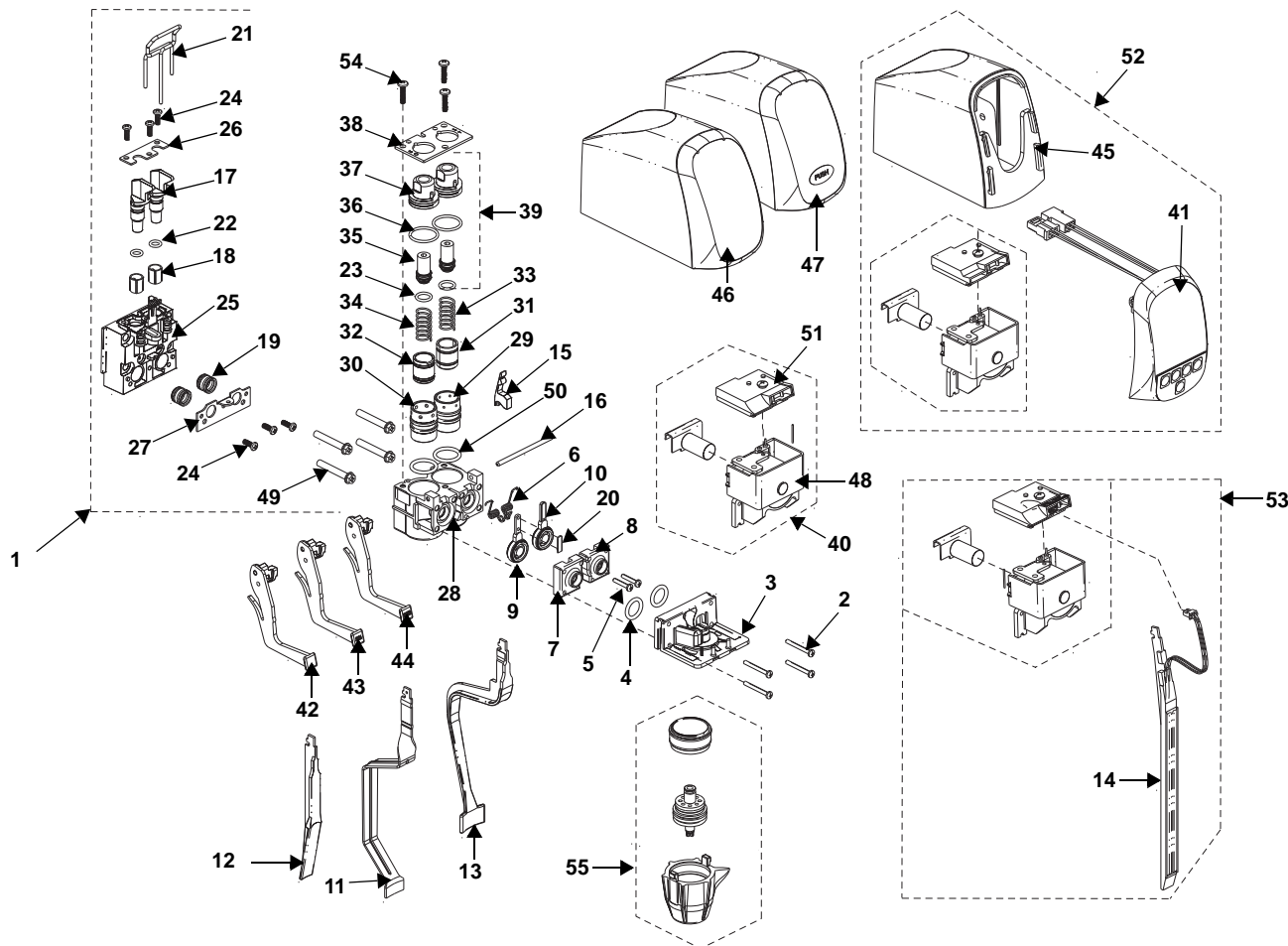


FLOMATIC®

Parts Manual

464-GP Post-Mix Valve



DESCRIPTION	PART NO.	DESCRIPTION	PART NO.	DESCRIPTION	PART NO.
1 MTG Block 0.380	380-Q	23 O-ring (012)	551	41 464 PC Cover	835-01
2 Screw 4-40 X 1	505	24 Screw #6 X 3/8	553-00	42 464 Add a Lever	1028
3 Diffuser Block 464 Insert	507-36-G	25 380Q Body	562-80	43 Add a Lever (Soda)	1028-S
4 O-ring (.112)	509	26 Shutoff Retainer Plug	567	44 Add a Lever (Water)	1028-W
5 Screw - 4-40x5/8	510	27 Quad Stem Seal Retainer	568	45 Base Cover	1601
6 Spring Coil Pallet Retainer	511-04	28 Flow Control Base 464 #8	600-47-G	46 Front PL Cover	1602
7 Orifice Cap GP Lft Blk	512-02-G	29 Cylinder	602-02	47 Front Push Button GP Cover	1610
8 Orifice Cap GP Rt Blk	513-02-G	30 Cylinder - HF	602-03	48 Solenoid Assembly	9774-1
9 Pallet Highflow	515-02	31 Syrup Piston	603-02	49 Self Tap Screw 10-24X1-1/4	5011953
10 Pallet Bearing Pad Set	515-30	32 Soda Piston - GP	604-04-G	50 O-ring Sleeve	5028273
11 Sanitary Lever SS (SSL)	516-06	33 Flow Ctrl 7 Coil Spring	605-01	51 Switch	
12 Plastic Lever Black	516-07	34 Flow Ctrl Coil Spring - HF	605-02	a. Autofil Switch	5030421
13 Sanitary Lever Molded	516-09	35 Flow Rate Adj Screw	607	b. Manual Switch	5030419
14 Lever Sensor	516-10	36 O-ring (017)	608	c. Portion Control	5030418
15 Elec Lever Retainer LG	517-05	37 Flow Rate Adj Nut	609-02	52 Kit AC PCTRL Conv	5031015
16 Pivot Pin Long	524-02	38 Retainer Plate 6-32	610-04	53 Kit AC Autofil Conv	5031018
17 Shutoff Plug	526	39 Flow Rate Adj Set 464GP	643-00	54 Screw #8X5/8 PH HI LO 18-8 .020001284	
18 Shutoff Seal	527	40 AC Solenoid with Switch		55 464 GEN II Nozzle Asm.	.020001750
19 Quad Seal Vlv Stem	528	a. Autofil	774-A36		
20 Pallet Bearing	530	b. Manual	774-E36		
21 Latch Pin	538-04	c. Portion Control	774-P36		
22 O-ring (010)	543	d. Push Button	020003647		