

Catalog of Quality Beer Fittings and Hardware



250 Old Ballwin Road • St. Louis, Missouri 63021-4800
Tel: 636.256.7777 • Fax: 636.527.4313
info@multiplex-beverage.com • www.multiplex-beverage.com

In accordance with our policy of continuous product development and improvement,
this information is subject to change at any time without notice.

00218023 Revision B (KAK) 28 July, 2000

Table of Contents

Terms and Conditions Affecting Customer Purchase Orders, Shipments of Materials, and Ordering	
Parts	1
How to order	1
Terms	1
Method of shipment	1
Purchaser pick-up	1
Service parts	1
How to cancel an order	1
Damaged and lost shipments	1
Return of merchandise	1
Replacement parts purchased for out-of-warranty equipment	1
Replacement procedure	1
Barrel Fronts (Medium Oak Stained Finish)	2
Faucets	2
Faucet Locks	2
Fitting Kits	3
Fittings and Hardware	4
Regulators and Regulator Parts	6
Regulators (equipped with beer safety relief valves)	6
Regulator parts	7
Beer Accessories	8
Tavern Heads	10
Tools	11
Tubing	12
Bundled and insulated	12
Tubing key/colors	12
Drain tubing	13
Polyethylene tubing (beer tubing sold by the foot on 500 foot rolls)	13
Vinyl Tubing	14
Vinyl Reinforced Tubing	14

Terms and Conditions Affecting Customer Purchase Orders, Shipments of Materials, and Ordering Parts

How to order

For prompt service and shipment, contact your nearest Multiplex Company Stocking Distributor. A listing of the stocking distributors can be obtained by contacting Multiplex Company, Inc. (636) 256-7777. To ensure prompt processing of your orders, list each item separately, taking care to specify quantity, the Multiplex part number and description of each item ordered. Faster service can be obtained in the future by listing your system below.

Model Number _____

Serial Number _____

Date of Installation _____

Local Authorized
Stocking Distributor _____

Terms

Terms of NET 30 days will be extended to those customers of known and acceptable financial standing. All other orders must be accompanied by check or will be shipped C.O.D. Please send all credit information directly to our controller. Taxes imposed by any present or future federal, state, or local laws, if paid by us, will be charged to purchaser. Sales or use taxes shall be in addition to prices quoted unless an appropriate Tax Exemption Certificate is furnished. Prices and terms, designs, materials, specifications, weights and dimensions for equipment or parts are subject to change without notice.

Method of shipment

All merchandise is priced F.O.B. factory. All shipments are carefully packed and labeled to prevent damage or loss. Crates, boxes and cartons used are of approved weight and strength. Orders not routed by the purchaser will be shipped at our discretion via the best method possible without any liability on our part for such selection.

Purchaser pick-up

Service parts

Orders must be received at least 24 hours prior to personal pick-up.

How to cancel an order

Multiplex will not accept the cancellation of any order for special or proprietary equipment or parts unless we receive payment of reasonable charges based on expenses already incurred and commitments made by Multiplex.

Damaged and lost shipments

The responsibility of Multiplex Co., Inc. ceases upon acceptance of the products being shipped in good condition by the carrier. Any damage or loss sustained in shipment should be reported to the delivering carrier immediately. The carrier is responsible for all shipments. If you receive a damaged shipment, ask the carrier's agent for a claim form and have the carrier prepare an inspection report, a copy of Multiplex's invoice, the freight bill, and a letter estimating the cost of repair or replacement must be submitted to the carrier before they can process your claim. Compare the number of cartons received against the number of cartons listed on our packing list or Bill of Lading. If they do not agree, be sure to note the shortage on the delivery receipt before accepting delivery and signing the delivery of the specified number of cartons. UPS shipments are insured individually and UPS will replace all merchandise that is lost. Notify us immediately if you wish to trace merchandise lost in transit.

Return of merchandise

No merchandise is to be returned without our approval. The purchaser must prepay the freight for all returned goods. After receiving our approval, all merchandise must be returned to our factory at 250 Old Ballwin Road, St. Louis, Missouri 63021. Multiplex is not responsible for merchandise returned to any location other than our factory.

The merchandise authorized to be returned must be in new, unused condition and in its original carton with all original packaging.

A credit will be allowed amounting to the original selling price or current selling price, whichever is lower, less a 15% restocking charge, with a minimum charge of \$25.00 for each return to cover cost of receiving, inspection, testing, repackaging, and processing all documents.

Replacement parts purchased for out-of-warranty equipment

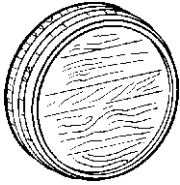
These parts will be repaired or replaced on an even exchange basis (no labor allowance) during the 90 day period following shipment from our factory.

Replacement procedure

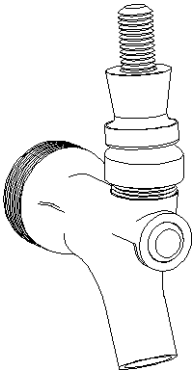
Prior approval must be received from Multiplex before a unit, motor compressor and/or components may be returned for replacement or repair. Any unit or component returned, freight collect, will be refused and returned to sender.

Multiplex will not accept any used equipment for credit. The minimum invoice charge is \$25.00 per order.

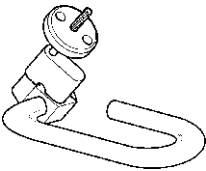
Barrel Fronts *(Medium Oak Stained Finish)*

Item	Part Number	Description
	99999996	14" Barrel Head, 14" Wide x 7" Deep. Can accommodate up to three (3) faucets.
	99999997	21" Barrel Head, 21" Wide x 7" Deep. Can accommodate up to four (4) faucets.


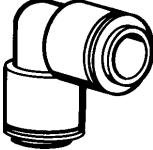
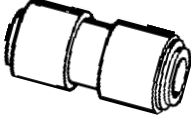
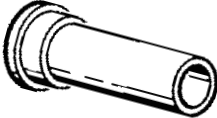
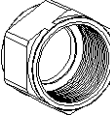


Faucets

Item	Part Number	Description
	00556923	Chrome Beer Faucet.
	00216165	Brass Beer Faucet.
	00216489	Chrome Faucet and Shank Kit, with Heat Exchanger and Restrictor.
	00216488	Brass Faucet and Shank Kit, with Heat Exchanger and Restrictor.
	00211885	Plastic Wine Faucet.




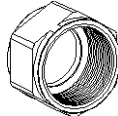

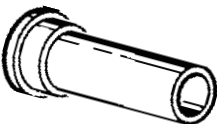
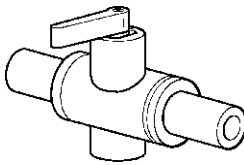

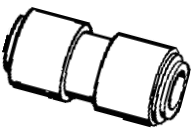
Faucet Locks

Item	Part Number	Description
	00216695	Aluminum Faucet Lock without Padlock.
	00211478	Padlock with Two Keys.

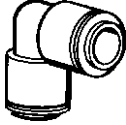
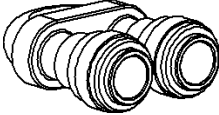
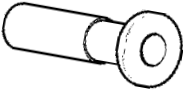
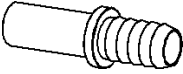
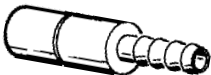
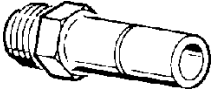


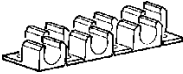
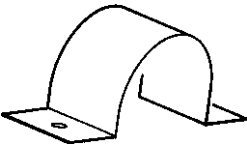
Fitting Kits

Item	Part Number	Description
Choice of a Small Kit (P.N. 00211505) or Large Kit (P.N. 00211507). Each kit includes Faucet Wrench and Installation Instructions.		
	00209398	Cover, 1/2" 80 Provided in Small Install Kit (P.N. 00211505) 100 Provided in Large Install Kit (P.N. 00211507)
	00210048	Elbow, 1/2" 14 Provided in Small Install Kit (P.N. 00211505) 30 Provided in Large Install Kit (P.N. 00211507)
	00210126	Union, 1/2" 29 Provided in Small Install Kit (P.N. 00211505) 35 Provided in Large Install Kit (P.N. 00211507)
	00211290	Stem, 1/2" 5 Provided in Small Install Kit (P.N. 00211505) 8 Provided in Large Install Kit (P.N. 00211507)
	00855011	Beer Nut 5 Provided in Small Install Kit (P.N. 00211505) 8 Provided in Large Install Kit (P.N. 00211507)
	00211684	Foil Tape, 2" on 30 foot roll 1 Provided in Small Install Kit (P.N. 00211505) 2 Provided in Large Install Kit (P.N. 00211507)
	00212342	PVC Tape, 2" on 100 foot roll, Black 1 Provided in Small Install Kit (P.N. 00211505) 1 Provided in Large Install Kit (P.N. 00211507)

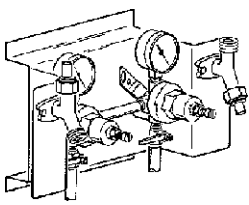
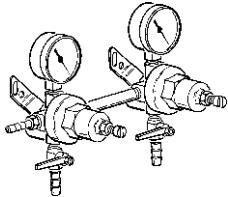
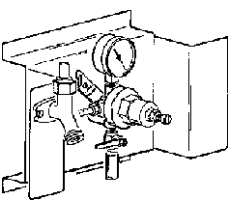
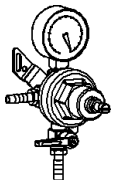
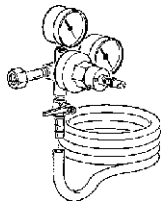
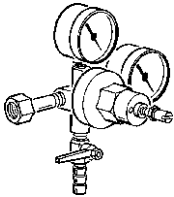
Fittings and Hardware

Item	Part Number	Description
	00852902	$\frac{3}{8}$ " Flare Washer, Plastic
	00850389	$\frac{1}{2}$ " Beer Washer, Rubber
	00850308	Primary CO ₂ Washer, Fiber
	00855011	Beer Nut
	00557207	$\frac{1}{4}$ " Tailpiece, Barbed
	00216818	$\frac{5}{16}$ " Tailpiece, Barbed
	00557208	$\frac{3}{8}$ " Tailpiece, Barbed
	00557254	$\frac{1}{2}$ " Tailpiece, Barbed
	00211290	$\frac{1}{2}$ " Stem for Quick Connect Fitting
	00213887	$\frac{1}{2}$ " Stem Ball Valve Shut-off, Plastic
	00209398	$\frac{1}{2}$ " Cover for Quick Connect Fitting
	00210126	$\frac{1}{2}$ " Straight Quick Connect Fitting

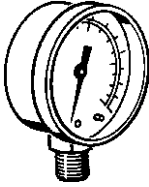
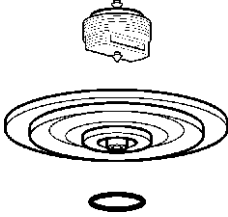
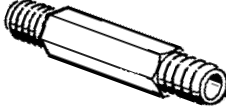
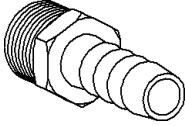
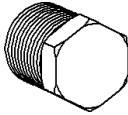
Fittings and Hardware (continued)

Item	Part Number	Description
	00210048	1/2" Elbow Quick Connect Fitting
	00216816	1/2" Turnaround Quick Connect Fitting
	00211677	Plug, 1/2" Stem
	00210750	Tube to Hose Stem Adaptor, 1/2" Stem x 3/8" Barb
	00210638	Tube to Hose Stem Adaptor, 1/2" Stem x 1/2" Barb
	00211536	Restrictor Adaptor, 1/2" Stem x 3/16" Barb
	00211455	Glycol Adaptor, 1/2" Stem x 3/8" Male Flare
	00211684	Foil Tape, 2" on 30 Foot Roll
	00212342	PVC Tape, 3" on 100 Foot Roll, Black
	00215130	6 Tube Clip Holder, Wall Mount for 1/2" Tubing
	00372205	Small Beverage Bundle Bracket Black, 4" Diameter
	00372207	Kit, 8 line Conduit Hanger Brackets Contains five Brackets (individual Bracket P.N. 00372205).
	00206007	Large Beverage Bundle Bracket Black, 5 1/2" Diameter
	00205968	Kit, 12 line Conduit Hanger Brackets Contains five Brackets (individual Bracket P.N. 00206007)



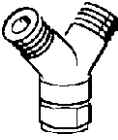
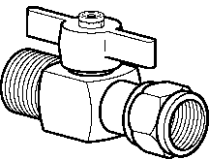
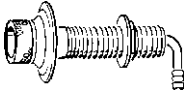
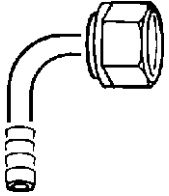
Regulators and Regulator Parts

Item	Part Number	Description
Regulators (equipped with beer safety relief valves)		
	00211400	Kit, Dual Secondary Regulator Includes 6 ft of Gas and Product Lines, Wall Bracket and Adaptors on a Quick Wall Mount Bracket. (Repair Kit, Secondary Regulator, P.N. 00214898)
	00211457	Dual Secondary Regulator (Repair Kit, Secondary Regulator, P.N. 00214898)
	00211302	Kit, Single Secondary Regulator Includes 6 ft of Gas and Product Line, Wall Bracket, and Adaptors on a Quick Wall Mount Bracket. (Repair Kit, Secondary Regulator, P.N. 00214898)
	00683077	Single Secondary Regulator (Repair Kit, Secondary Regulator, P.N. 00214898)
	00211500	Kit, Primary High Pressure CO ₂ Regulator Includes 20 ft of Reinforced Tubing, Wall Mount Cable Ties, and Clamps. (Repair Kit, Primary CO ₂ Regulator, P.N. 00214898)
	00211512	Primary High Pressure CO ₂ Regulator (Repair Kit, Primary CO ₂ Regulator, P.N. 00214898)

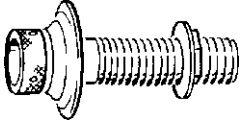
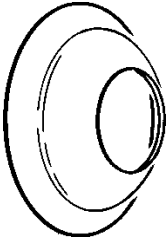
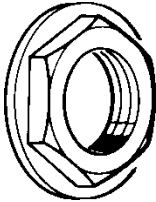
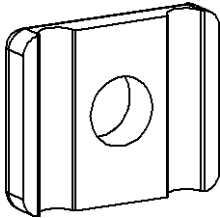
Regulators and Regulator Parts (continued)

Item	Part Number	Description
<i>Regulator parts</i>		
	00683116	Gauge 1/4" MPT, Bottom Mount, 0-30 psig
	00683072	Gauge 1/4" MPT, Bottom Mount, 0-100 psig
	00683107	Gauge 1/4" MPT, Bottom Mount, 0-2000 psig
	00214898	Regulator Repair Kit
	K0000076	Nipple, 1/4" MPT, 2" Long, Brass
	00211458	Adaptor, 1/4" MPT x 5/16" Barb, Brass
	00854419	Plug, 1/4" MPT, Brass

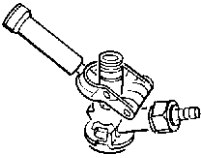
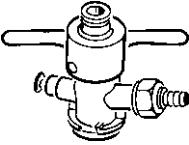
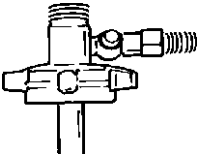
Beer Accessories

Item	Part Number	Description
	00557216	Wall Bracket, Angled with $\frac{3}{8}$ " Bore
	00214773	Wall Bracket "Y" with $\frac{3}{8}$ " Bore
	00215426	"Y" Adaptor with one (1) Female Beer Thread to two (2) Male Beer Threads. $\frac{3}{8}$ " Bore
	00216817	Beer Shut-off with one (1) Female Beer Thread to one (1) Male Beer Thread, $\frac{3}{8}$ " Bore
	00215203	$1\frac{3}{4}$ " Shank with Soldered $\frac{1}{4}$ " Elbow (does not include Nut and Collar)
	00215216	3" Shank with Soldered $\frac{1}{4}$ " Elbow (does not include Nut and Collar)
	00215227	$\frac{3}{16}$ " Elbowed Nipple with Beer Nut
	00215228	$\frac{1}{4}$ " Elbowed Nipple with Beer Nut
	00215229	$\frac{3}{16}$ " Elbow without Beer Nut
	00215230	$\frac{1}{4}$ " Elbow without Beer Nut.

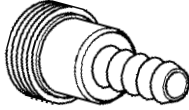
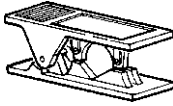
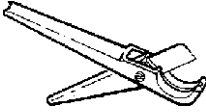
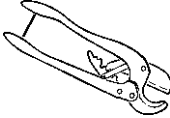


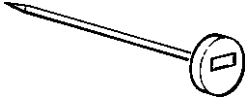

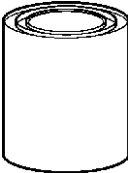
Beer Accessories (continued)

Item	Part Number	Description
	00215217	1 ³ / ₄ " Shank with Chrome Nut and Stainless Flange
	00215218	1 ³ / ₄ " Shank with Brass Nut and Black Flange
	00215219	3" Shank with Chrome Nut and Stainless Flange
	00215220	3" Shank with Brass Nut and Black Flange
	00215221	4 ¹ / ₈ " Shank with Chrome Nut and Stainless Flange
	00215222	4 ¹ / ₈ " Shank with Brass Nut and Black Flange
	00215223	5 ¹ / ₈ " Shank with Chrome Nut and Stainless Flange
	00215224	5 ¹ / ₈ " Shank with Brass Nut and Black Flange
	00215225	6" Shank with Chrome Nut and Stainless Flange
	00215226	6" Shank with Brass Nut and Black Flange
	00215207	Flange, Black Plastic
	00215205	Flange, Stainless
	00215206	Shank Nut
	00215231	Aluminum Heat Exchanger.

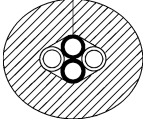
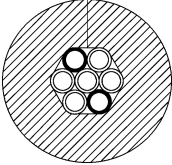
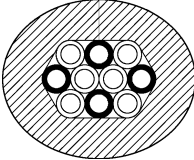
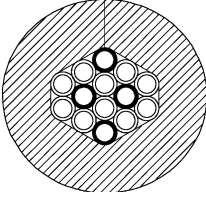
Tavern Heads

Item	Part Number	Description
	00211534	Tavern Head, Single Valve Lever Type
	00215214	Tavern Head, Single Valve, Double Handle
	00211535	Tavern Head, Dual Probe

Tools

Item	Part Number	Description
	00217036	Cleaning Adaptor, Domestic 3/8" Barb
	00217045	Cleaning Adaptor, European 3/8" Barb
	00217046	Cleaning Adaptor, Vin Service 3/8" Barb
	00681824	Tubing Cutter Small Butterfly
	00211237	Tubing Cutter Large Scissor
	00211403	Cutter for Large Beverage Bundles
	00681815	Tab Clamp Pliers
	00681823	Faucet Wrench
	00251905	Digital Thermometer
	00210843	Quick Connect Fitting Tool Set
	00214926	Metal Polish 2.2 lb. Can

Tubing

Item	Part Number	Description
<i>Bundled and insulated</i>		
	MC043341	4 Line Insulated Beverage Bundle with 2 Beer Lines and 2 Glycol Lines Nominal OD: 3.5" OD Color Key: 0, 1, 3, 4
	MC073341	7 Line Insulated Beverage Bundle with 5 Beer Lines and 2 Glycol Lines Nominal OD: 4.0" OD Color Key: 0, 1, 2, 3, 4, 5, 6
	MC103341	10 Line Insulated Beverage Bundles with 6 Beer Lines and 4 Glycol Lines Nominal OD: 4.25" OD Color Key: 1, 2, 3, 3, 4, 4, 5, 6, 7, 8
	MC143341	14 Line Insulated Beverage Bundle with 10 Beer Lines and 4 Glycol Lines Nominal OD: 4.75" OD Color Key: 0, 1, 2, 3, 3, 3, 4, 4, 4, 5, 6, 7, 8, 9

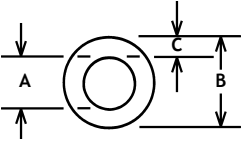
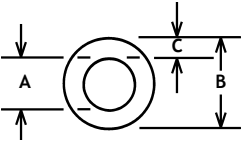
Tubing key/colors

0=Natural; 1=Black; 2=Orange; 3=Red; 4=Blue; 5=Green; 6=Yel/Grn; 7=Yellow; 8=Purple; 9=Lavender

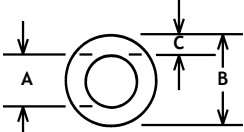
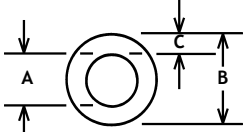
=Glycol; =Glycol; =Beer

Note: All insulated beer bundles contain foil wrapped beverage lines with 1" thick insulation and PVC tape jacket. Multipar insulated beverage line bundles are available in 4 to 16 line bundles. Line bundles 4 through 7 are designed to have 2 lines designated for glycol, 8 through 16 line bundles are designed to have 4 lines designated for glycol.

Tubing (continued)

Item	Part Number	Description
<i>Drain tubing</i>		
	RM931423	$\frac{3}{4}$ " Ethyl Propylene (859112) Dimensions: A-0.750" B-1.00" C-0.125"
	RM912113	1" Ethyl Propylene (859112) Dimensions: A-1.00" B-1.25" C-0.125"
<i>Polyethylene tubing (beer tubing sold by the foot on 500 foot rolls)</i>		
	PE500650	Color: Natural (0) Dimensions: A-0.376" B-0.500" C-0.062"
	PE500651	Color: Black (1) Dimensions: A-0.376" B-0.500" C-0.062"
	PE500652	Color: Orange (2) Dimensions: A-0.376" B-0.500" C-0.062"
	PE500653	Color: Red (3) Dimensions: A-0.376" B-0.500" C-0.062"
	PE500654	Color: Blue (4) Dimensions: A-0.376" B-0.500" C-0.062"
	PE500655	Color: Green (5) Dimensions: A-0.376" B-0.500" C-0.062"
	PE500656	Color: Yellow/Green (6) Dimensions: A-0.376" B-0.500" C-0.062"
	PE500657	Color: Yellow (7) Dimensions: A-0.376" B-0.500" C-0.062"
	PE500658	Color: Purple (8) Dimensions: A-0.376" B-0.500" C-0.062"
	PE500659	Color: Lavender (9) Dimensions: A-0.376" B-0.500" C-0.062"

Tubing (continued)

Item	Part Number	Description
Vinyl Tubing		
	RM151213	3/16" Clear Vinyl (855115) Dimensions: A-0.188" B-0.438" C-0.125"
	RM151219	3/16" Black Vinyl (855115) Dimensions: A-0.188" B-0.438" C-0.125"
	RM151215	5/16" Clear Vinyl (855119) Dimensions: A-0.312" B-0.562" C-0.125"
	RM151218	5/16" Black Vinyl (855119) Dimensions: A-0.312" B-0.562" C-0.125"
	RM151216	3/8" Clear Vinyl (855112) Dimensions: A-0.375" B-0.625" C-0.125"
	RM151224	1/2" Clear Vinyl (855133) Dimensions: A-0.500" B-0.725" C-0.125"
Vinyl Reinforced Tubing		
	RM151220	Braided Vinyl, 5/16" (855119) Dimensions: A-0.312" B-0.562" C-0.125"
	RM157115	Braided Vinyl, 3/8" (855112) Dimensions: A-0.375" B-0.625"



250 Old Ballwin Road • St. Louis, Missouri 63021-4800
Tel: 636.256.7777 • Fax: 636.527.4313
info@multiplex-beverage.com • www.multiplex-beverage.com

In accordance with our policy of continuous product development and improvement, this information is subject to change at any time without notice.

00218023 Revision B (KAK) 28 July, 2000