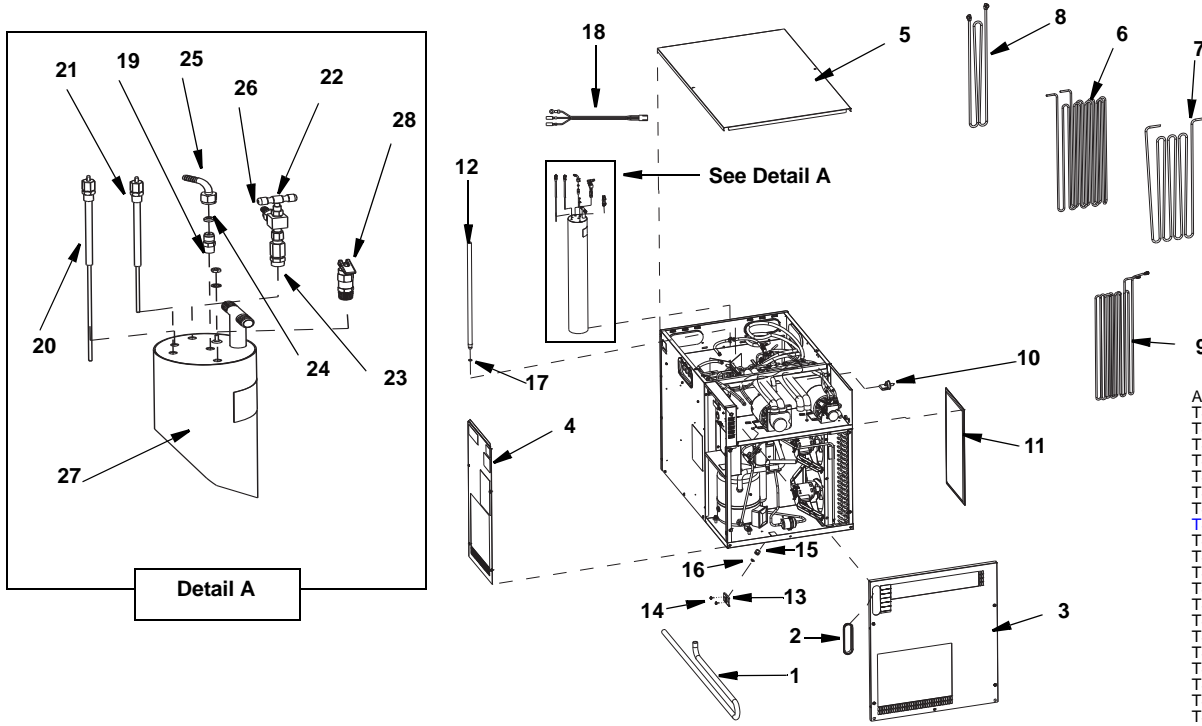




## **Model 50 (TS) Series Soda Post-Mix Refrigeration Unit Parts List for Models**

<b>50MA04</b>	<b>50GA04</b>
<b>50MR04</b>	<b>50GR04</b>
<b>50MW04</b>	<b>50GW04</b>
<b>50MR04 Q/T</b>	<b>50GR04 Q/T</b>
<b>50MAX04</b>	<b>50GAX04</b>
<b>50MRX04</b>	<b>50GRX04</b>
<b>50MWX04</b>	<b>50GWX04</b>

# TUBES, PANELS & CARBONATOR



Applies To:  
 TS9050-263  
 TS90503-353  
 TS905051-263  
 TS905046-263  
 TS905054-353  
 TS905052-263  
 TS905055-353  
 TS905050E-263  
 TS90503E-353  
 TS905051E-263  
 TS905046E-263  
 TS905054E-353  
 TS905052E-263  
 TS905055E-353  
 TS905050G-263  
 TS905053G-353  
 TS905051G-263  
 TS905054G-353  
 TS905052G-263  
 TS905055G-353

## DESCRIPTION

- 1 Tubing 3/4 ID X1 OD .....
- 2 Switch Cover .....
- 3 Right Side Panel .....
- 4 Front Panel .....
- 5 Top Cover .....
- 6 SS Tube Coil .312 OD (Pre-Chill) .....
- 7 SS Tube Plain Water -.375 OD .....
- 8 **SS Syrup Tube**
- a. Model 50M/MX04 Coil Assy Syrup .375 OD - 1/4" Barb Fitting .....
- b. Model 50M Q/T Coil Assy Syrup 5/16 X 10 ft - 3/8 Barb Fitting .....
- 9 SS Tube Coil .312 OD (Soda) .....
- 10 Switch, Press. 4psi Low Water .....
- 11 Air Filter .....
- 12 Stand Pipe- 24.25 Lg .....
- 13 Bracket, Hose Retainer .....
- 14 Screws Bracket, Hose Retainer .....
- 15 Tub Drain Fitting .....
- 16 Drain Nut .....
- 17 O-ring, Rubber -.750 OD X.625 ID .....
- 18 Carbonator Tank Harness Cord Assembly (For G & E Series) .....

## PART NO.

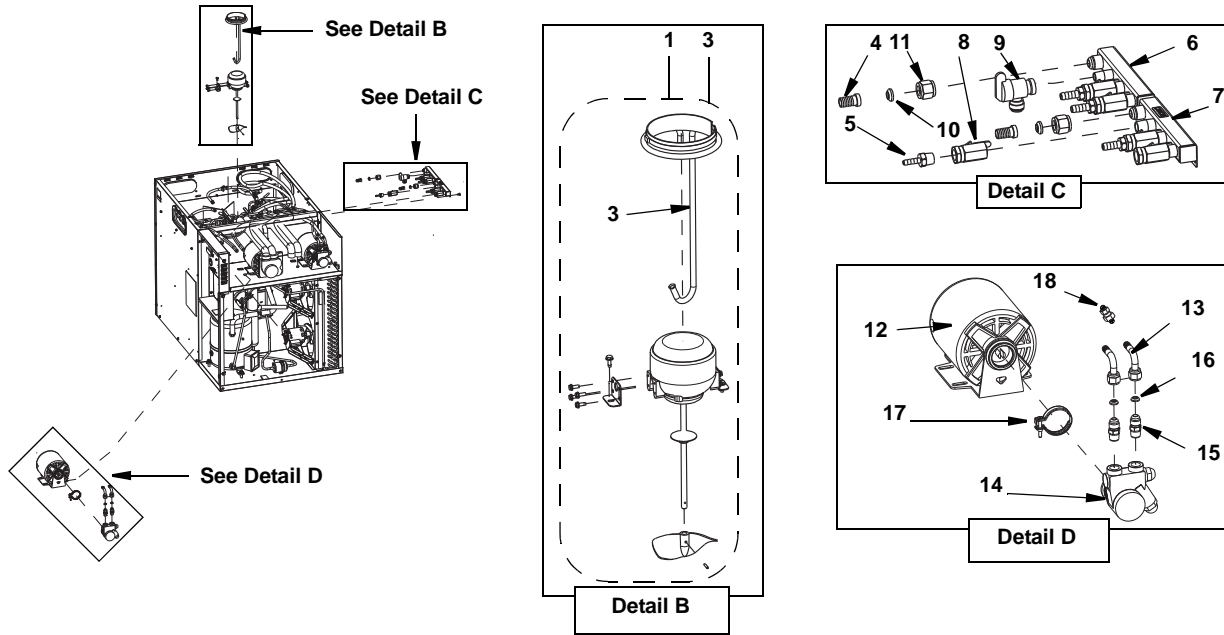
- 00000979
- 00001755
- 02001715
- 02001716
- 6052071
- 3002043
- 3002073
- 3002083
- 00006662
- 3002173
- 2002743
- 00001430
- 3001723
- 6052031
- 5001673
- 5001063
- 00206387
- 5001613
- 02002093

## Detail A (Carbonator Tank)

- 19 Adapter, 1/4MF x 1/8MPT .90 S/S .....
- 20 Electrode Assembly, 10.8", Black .....
- 21 Electrode Assembly, 7.9", Red .....
- 22 Shut Off Valve 1/4 X 1/4 .....
- 23 Single Check Valve 1/8 NPT SS .....
- 24 Tapered Washer -.250 Flare .....
- 25 Barb-stem Ell - 1/4x1/4 Swv S/S .....
- 26 Barb-stem Adpt 1/4barbx1/4sw .....
- 27 Carb Tank - Assy .....
- 28 Toggle Relief Valve 150# 1/8mpt .....

- 00216384
- Y0208032
- Y0208031
- 8251513
- 00701312
- 5001823
- 5001903
- 5001873
- 3001873
- 00701334

# AGITATOR, MANIFOLD, CARB PUMP & MOTOR



Applies To:  
 TS905050-263  
 TS905053-353  
 TS905051-263  
 TS905046-263  
 TS905054-353  
 TS905052-263  
 TS905055-353  
 TS905050E-263  
 TS905053E-353  
 TS905051E-263  
 TS905046E-263  
 TS905054E-353  
 TS905052E-263  
 TS905055E-353  
 TS905050G-263  
 TS905053G-353  
 TS905051G-263  
 TS905046G-353  
 TS905052G-263  
 TS905055G-353

## DESCRIPTION

### Detail B (Agitator Motor)

- 1 **Motor Assembly Kit (Agitator w/Heat Sink Tube) Domestic/International - 230 VAC, 50/60 Hz.** .....
- a. Agitator Motor Mounting Bracket .....
- b. Water Slinger Washer .....
- c. Plastic Propeller .....
- d. Internal Tooth Washer .....
- e. Tab-clamp 3.909-4.035 SS .....
- f. Roll Pin 3/32 X 9/16 SS .....
- g. Electrical Sleeve Tubing .....
- h. Agitator Motor 25w 230/50/60 .....
- 2 **Motor Assembly - 230V 50/60HZ (w/Propeller, Pin, Terminals, Washer Slinger, No Heat Sink) G Series Only** .....
- 3 Heat Sink Tube Asm And Clamp .....

### PART NO.

- 00213237
- 00215727
- 00377102
- 00751208
- 00856302
- 00859119
- 00859503
- RM156120
- 00213018
- 020003223
- 6052321

### Detail C (Manifold)

- 4 Barb-stem Adpt 1/2barbx1/2sw .....
- 5 Adapter -.250 Barbx.375 Mpt .....
- 6 Manifold Water 3 Outlet .....
- 7 Manifold Water 3 Outlet .....
- 8 Valve Ball 3/8 Fptx3/8 Fpt Bras .....
- 9 Valve, Shutoff-1/4 Turn,jg,1/4fptx3/8 Tube .....
- 10 Washer Tapered-.50 Flare-nyl .....
- 11 Nut SWV 1/2 Flare NP Brass .....

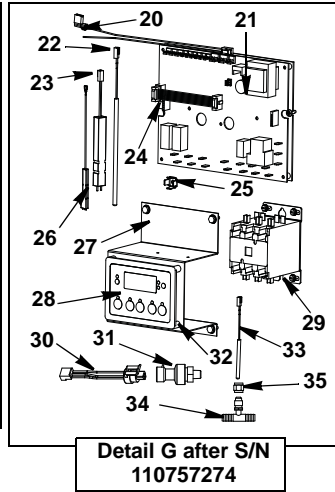
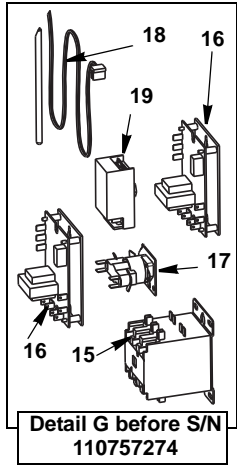
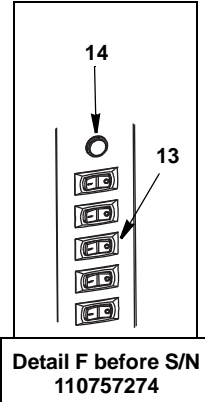
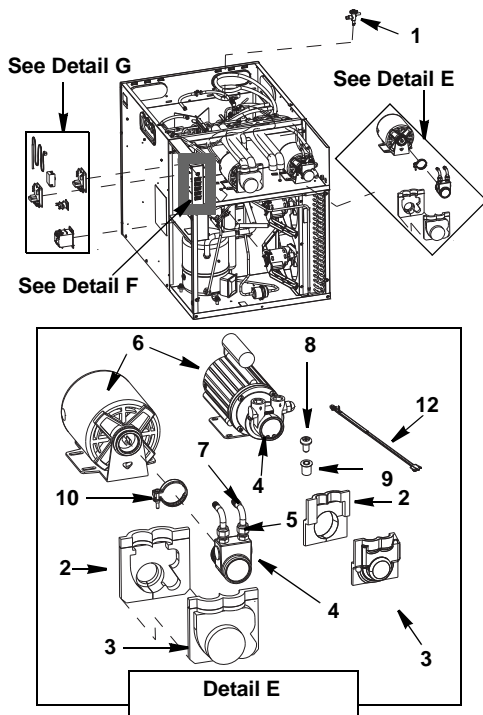
- 5001983
- 5001963
- 000001973
- 000002232
- 5001023
- 5001343
- 5001793
- 5002033

### Detail D (Carbonator Motor & Pump)

- 12 **Motor**
- a. 230v, 1/3hp .....
- b. 208-230V 50/60HZ Energy Model 50G .....
- 13 Adapter, Elbow 3/8 SWV x 3/8 Barb .....
- 14 Pump, 100 Gph-brass,fltr,250 Psi .....
- 15 Coupling-3/8 Flare X 3/8 Npt .....
- 16 Washer Tapered-.38 Flare-nyl .....
- 17 Carb Pump Clamp .....
- 18 Back flow Preventer .....

- 2002543
- 020003095
- 5001943
- 2002763
- 8332023
- 5001833
- 00-1222
- 000003335

# WATER PUMP, MOTOR, CONTROLS & SENSORS

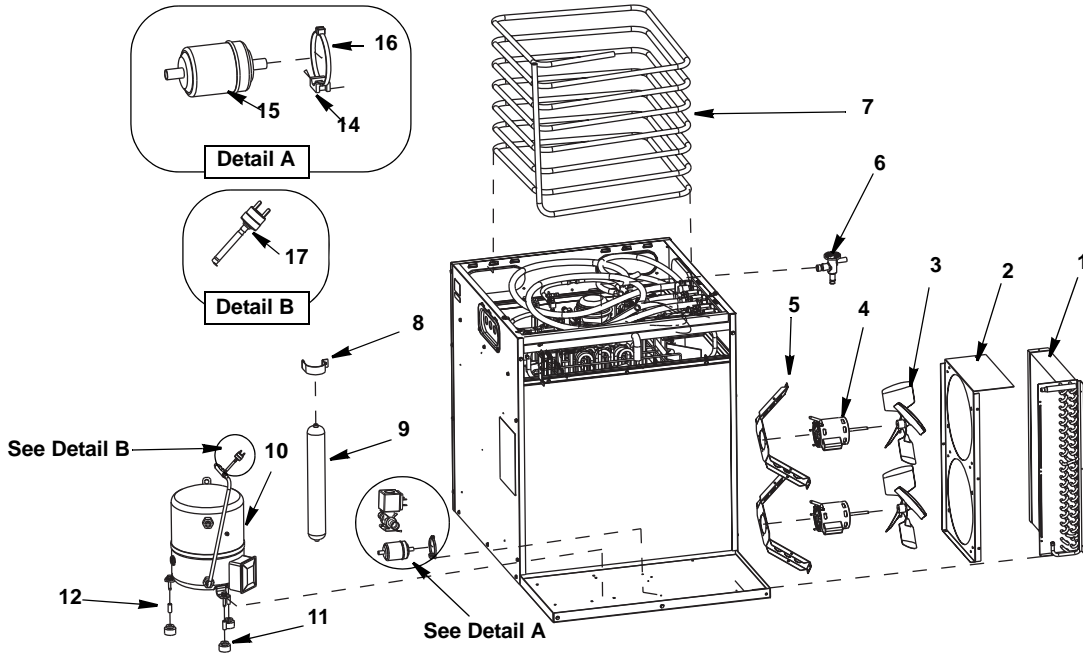


Applies To:  
 TS905050-263 TS905053-353  
 TS905051-263 TS905046-263  
 TS905054-353 TS905052-263  
 TS905055-353 **TS905050E-263**  
 TS905053E-353 TS905051E-263  
 TS905046E-263 TS905054E-353  
 TS905052E-263 TS905055E-353  
 TS905050G-263 TS905053G-353  
 TS905051G-263 TS905054G-353  
 TS905052G-263 TS905055G-353

**DESCRIPTION**

		<b>PART NO.</b>
1	<b>Thermal Expansion Valve</b>	
	a. Dual to Single Valve Conversion Kit .....	000003932
	b. Single Valve Replacement .....	000002976
<b>Detail E (Circulation Motor &amp; Pump)</b>		
2	<b>Boot Front, Motor Pump</b>	
	a. All Other Model 50 .....	4010243
	b. For Model 50G only .....	020003214
3	<b>Boot Rear, Motor Pump</b>	
	a. All Other Model 50 .....	4010253
	b. For Model 50G only .....	020003212
4	<b>Pump</b>	
	a. 100 Gph - S/Steel .....	2002753
	b. 100 Gph - S/Steel w/Bypass (Model 50G only) .....	020003449
5	Adapter, 3/8mf X 3/8 Mpt S/s .....	5001803
6	<b>Motor</b>	
	a. 230V, 1/3hp Motor only .....	2002543
	b. 230/115V 50/60HZ with Pump (Model 50G only) .....	020003095
	c. 230/115 50/60 HZ Motor only (Model 50G only) .....	020003769
	d. Retrofit Kit - 230/115 50/60 HZ (Model 50G only) .....	020003211
7	Adapter, Elbow 3/8 SWV x 3/8 Barb .....	5001943
8	Model 50G Only - Screw Pan HD Phil ZC.25-20X.50 .....	000008884
9	Model 50G Only - Insert THD Nut .25-20ID ALUM .....	000008883
10	Carb Pump Clamp .....	00-1222
11	<b>Motor Shelf (Not Shown)</b>	
	a. All Other Model 50 .....	000001276
	b. For Model 50G only .....	000008475
12	<b>Harness Motor/Pump</b>	
	a. All Other Model 50 .....	000001462
	b. For Model 50G only .....	020003207
<b>Detail F (Switches Non-ERC Model 50 only)</b>		
13	Switch, Rocker - Spst, 16a .....	2002893
14	Lamp Ind 250V Red W/3/16 Tabs .....	2002523
<b>Detail G (Liquid Level &amp; Ice Bank Controls Non-ERC Model 50)</b>		
15	<b>Contactor - 3 Pole</b>	
	a. Domestic - 3 Pole 120V 30 FLA .....	2007873
	b. International - 3 Pole 25A 230V .....	2003173
16	<b>Liquid Level Control</b>	
	a. Domestic - 120V .....	00219104
	b. International - 220V .....	00219105
17	Relay, therm. Time Delay Dpstnc .....	00212137
18	Sensor, Elec. Ice Bank Cntrl .....	2002733
19	Ctrl. Elec Ice Bank 230v lhi .....	020001414
<b>Detail G (ERC Controls Model 50)</b>		
20	HPCO Wiring Harness .....	020002329
21	Control Board .....	020001985
22	Water/Glycol Water Bath temperature sensor .....	020002142
23	Water Level Sensor .....	020002143
24	Ribbon Cable .....	020001987
25	Ground Terminal .....	000001452
26	Ice Bank Control .....	020002091
27	Bracket .....	000003157
28	Display Keypad .....	020001986
29	Contactor .....	2006619
30	Pressure Switch Wiring Harness .....	020002070
31	Pressure Switch .....	020001992
32	Key pad Mounting Screws .....	000001986
33	Recirc Temperature Sensor .....	020001991
34	Tee .....	5003143
35	Nut .....	5002003
36	Ice Bank Probe Bracket (not shown) .....	00217546
37	Rubber Ferrule (not shown) .....	020001993
38	Lonworks (not shown) .....	020002283

## AIR COOLED PARTS



Applies To:  
 TS905050-263  
 TS905053-353  
 TS905050E-263  
 TS905053E-353  
 TS905050G-263  
 TS905053G-353

### DESCRIPTION

	<b>PART NO.</b>
1 Air Condenser (11x 22) .....	000001193
2 Condenser Fan Shroud .....	000001324
3 Fan Blade .....	000001425
<b>4 Fan Motor</b>	
a. Domestic - 230V 60HZ 35W W/36i (For Model SS905050) .....	8251883
b. Domestic - 208/230V 50/60HZ (For All Current TS Models) .....	000002315
c. International - 220V 50HZ 23.2W .....	00753724
5 Fan Motor Bracket .....	000001327
<b>6 Thermal Expansion Valve</b>	
a. Dual to Single Valve Conversion Kit .....	000003932
b. Single Valve Replacement .....	000002976
7 Evaporator Coil 50MA-R 404A (2 Per Unit) .....	3001793
8 Receiver Strap .....	6000541
9 Receiver Port (2-1/8 OD x 15, 3/8) .....	8900353
<b>10 Compressor</b>	
a. Domestic - 2.20HP 230V, 3PH, 60Hz .....	00215457
b. International - 2.20HP 380V .....	00215922
11 Rubber Grommet .....	8503063
12 Sleeve (3/8 ID x 1.031" Long) .....	8503943
<b>13 Sensors</b>	
a. Suction Line Temp .....	020001991
b. Discharge Line Temp .....	020001991
c. Circ A Temp .....	020001991
d. Circ B Temp .....	020001991

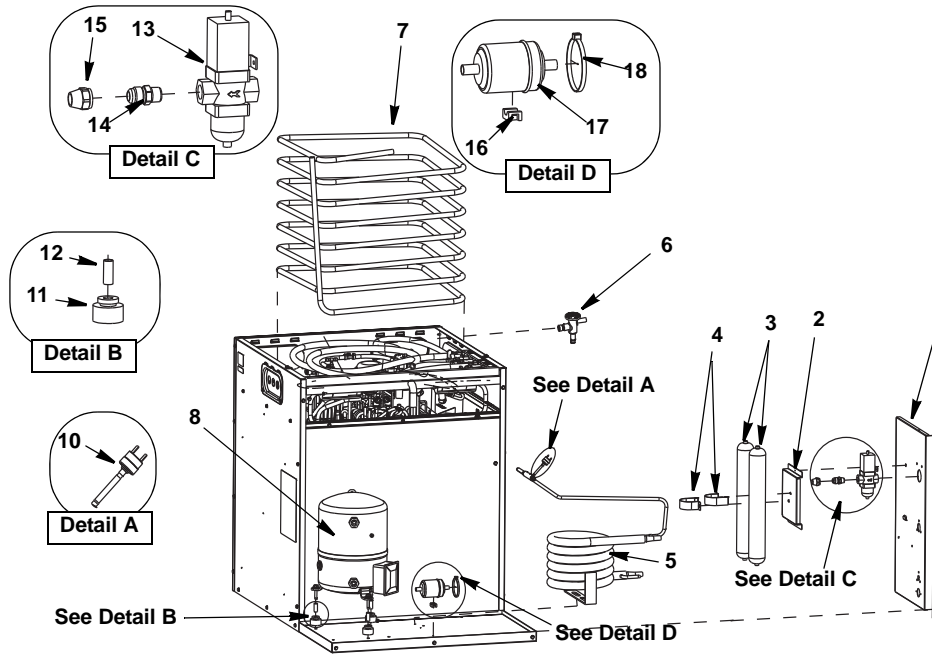
### Detail A

14 Mounting Base .....	5650613
15 Drier .....	8930279
16 Plastic Cable Tie (Pkg Of 2) .....	5650359

### Detail B

17 High Pressure Cutout Control .....	2001243
---------------------------------------	---------

## WATER COOLED PARTS

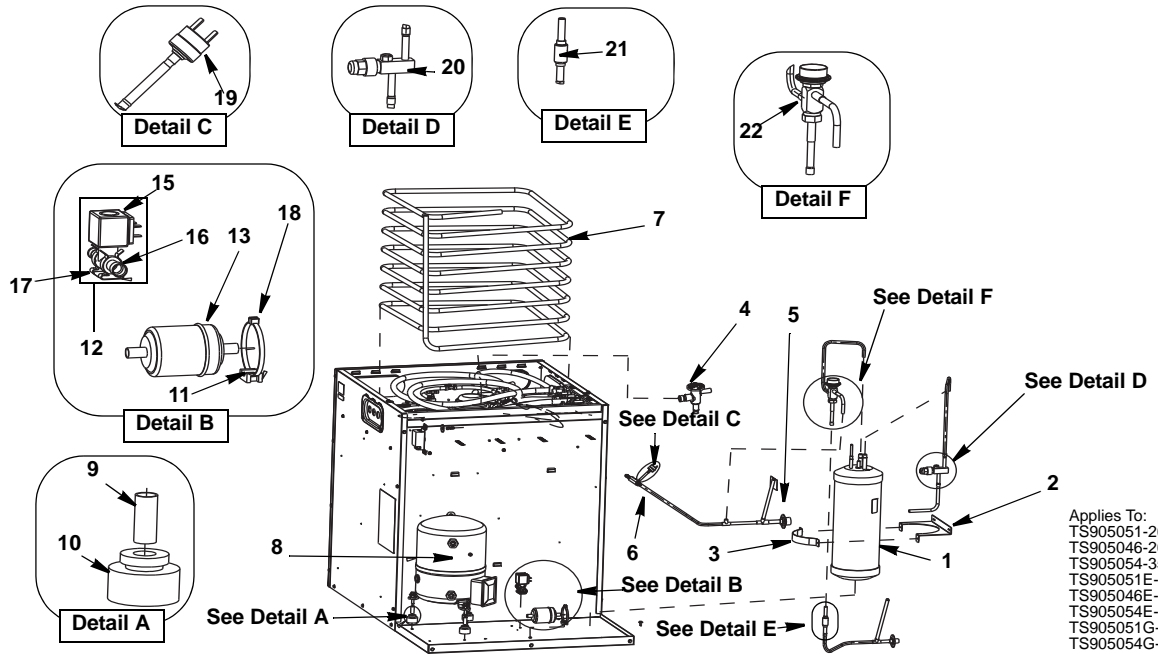


Applies To:  
 TS905052-263  
 TS905055-353  
 TS905052E-263  
 TS905055E-353  
 TS905052G-263  
 TS905055G-353

### DESCRIPTION

	<b>PART NO.</b>
1 Water/Rem Coupling Panel .....	000001363
2 Receiver Bracket .....	000001329
3 Receiver Port (2-1/8 OD x 15, 3/8) .....	8900353
4 Receiver Strap .....	6000541
5 Water Condenser .....	8253039
<b>6 Thermal Expansion Valve</b>	
a. Dual to Single Valve Conversion Kit .....	000003932
b. Single Valve Replacement .....	000002976
7 Evaporator Coil 50MA-R 404A (2 Per Unit) .....	3001793
<b>8 Compressor</b>	
a. Domestic - 2.20HP 230V, 3PH, 60Hz .....	00215457
b. International - 2.20HP 380V .....	00215922
<b>9 Sensors</b>	
a. Suction Line Temp .....	020001991
b. Discharge Line Temp .....	020001991
c. Circ A Temp .....	020001991
d. Circ B Temp .....	020001991
<b>Detail A</b>	
10 High Pressure Cutout Control .....	2001243
<b>Detail B</b>	
11 Rubber Grommet .....	8503063
12 Sleeve (3/8 ID x 1.031" Long) .....	8503943
<b>Detail C</b>	
13 Water Regulating Valve .....	8372069
14 Coupling (1/2 Flare x 3/8 MPT) .....	8332033
15 Flare Nut (.50) .....	5003883
<b>Detail D</b>	
16 Mounting Base .....	5650613
17 Danfoss Drier DML-0535 .....	8930279
18 Plastic Cable Tie 15-1/8 50# .....	5650359

## REMOTE COOLED PARTS

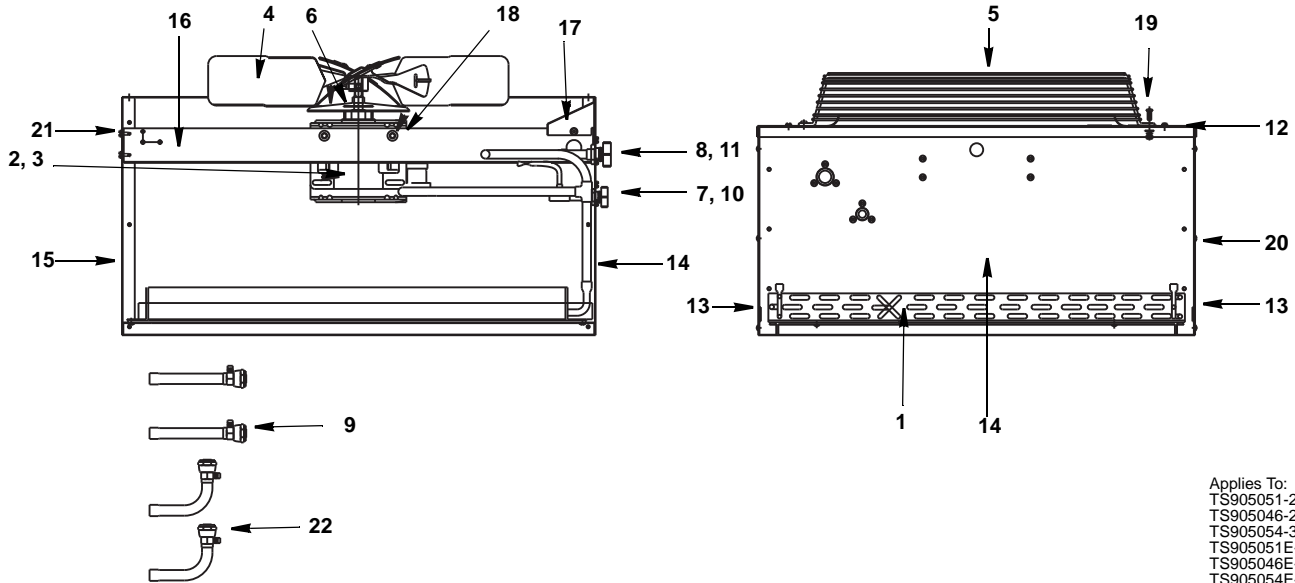


Applies To:  
 TS905051-263  
 TS905046-263  
 TS905054-353  
 TS905051E-263  
 TS905046E-263  
 TS905054E-353  
 TS905051G-263  
 TS905054G-353

### DESCRIPTION

1	Receiver (6.00" Dia x 16.00" Long) .....	<b>PART NO.</b> 8900003
2	Receiver Mounting Bracket .....	6000561
3	Receiver Mounting Strap .....	6307214
4	<b>Thermal Expansion Valve</b>	
a.	Dual to Single Valve Conversion Kit .....	000003932
b.	Single Valve Replacement .....	000002976
5	Coupling .....	00203816
6	Manifold .....	000001426
7	Evaporator Coil 50MA-R 404A (2 Per Unit) .....	3001793
8	<b>Compressor</b>	
a.	Domestic - 2.20HP 230V, 3PH, 60Hz .....	00215457
b.	International - 2.20HP 380V .....	00215922
<b>Detail A</b>		
9	Sleeve (3/8 ID x 1.031" Long) .....	8503943
10	Rubber Grommet .....	8503063
<b>Detail B</b>		
11	Mounting Base .....	5650613
12	<b>Liquid Line Solenoid Assembly Kit</b>	
a.	120VAC - Valve/Solenoid/Coupler For Units Prior to Serial 110952651 .....	7630031
b.	230VAC - Valve/Solenoid/Coupler For Units Prior to Serial 110952651 .....	7630091
13	Drier .....	8930279
14	Liquid Line Solenoid Wiring Harness - NOT SHOWN .....	000001460
15	Danfoss Coil (208-230V 50/60Hz) .....	020003477
16	<b>Refrigerant Solenoid Valve</b>	
a.	Solenoid EVU4 Valve (.500 in - .375 out) For Units Prior to Serial 110952651 .....	8251373
b.	Valve Refrigerant Solenoid EVUL3 (3/8in x 3/8in) For Serial 110952651 and Up .....	000006495
17	Danfoss Valve Bracket For Units Prior to Serial 110952651 .....	000000805
18	Plastic Cable Tie (Pkg Of 2) .....	5650359
<b>Detail C</b>		
19	High Pressure Cutout Control .....	2001243
<b>Detail D</b>		
20	Receiver Valve .....	8373169
<b>Detail E</b>		
21	Check Valve 3/8 OFD .....	8373149
<b>Detail F</b>		
22	Head Pressure Valve (180 Psi 3/8 ODF) .....	00209235
23	<b>Sensors</b>	
a.	Suction Line Temp. ....	020001991
b.	Discharge Line Temp .....	020001991
c.	Circ A Temp. ....	020001991
d.	Circ B Temp. ....	020001991

# REMOTE CONDENSER TS0895



Applies To:  
 TS905051-263  
 TS905046-263  
 TS905054-353  
 TS905051E-263  
 TS905046E-263  
 TS905054E-353  
 TS905051G-263  
 TS905054G-353

## DESCRIPTION

	<b>PART NO.</b>
1 Air Condenser.....	8850629
2 Fan Motor (208-230V 50/60 Hz/1 Ph).....	2009673
<b>3 Fan Motor Run Capacitor</b>	
a. Emerson.....	8504583
b. Magnatec.....	N/A
4 Fan Blade.....	<a href="#">2416113</a>
5 Fan Guard.....	3400643
6 Rain Slinger.....	<a href="#">2415053</a>
7 Coupling – Male, 5/8-18.....	8360343
8 Coupling – Male, 1-1/6-12.....	8360353
9 Female Line Set Coupling Kit (Sold as Finished Goods Sales Kit).....	Sales K0129

## Miscellaneous – Brackets, Screws, Etc.

10 Coupling Mounting Flange (for 5/8-18).....	8360053
11 Coupling Mounting Flange (for 1-1/16-12).....	8360063
12 Top Cover.....	6017751
13 Panel – Side.....	6017741
14 Panel – Rear.....	6017731
15 Panel – Front.....	6017721
16 Fan Motor Mounting Bracket.....	6017681
17 Electrical Box Cover.....	6017761
<b>18 Fan Motor Mounting Screw (5/16-18 x 5/8)</b> .....	<b>5035659</b>
a. Fan Motor Mounting Flat washer.....	5573099
b. Fan Motor Mounting Lock washer.....	5573139
c. Fan Motor Mounting Hex nut.....	5429759
<b>19 Fan Guard Mounting Screw (1/4-20 x 5/8)</b> .....	<b>5033459</b>
a. Fan Guard Mounting Flat washer.....	5573049
b. Fan Guard Mounting Lock washer.....	5545119
c. Fan Guard Mounting Hex nut.....	5429529
<b>20 Panel/Condenser Mounting Screw (#8 x 1/2)</b> .....	<b>5121539</b>
a. Panel/Condenser Mounting Lock washer.....	5544599
21 Screw (#10-24 x 1/2).....	5202069
22 Valve Cores (used in line sets).....	<a href="#">7626843</a>
23 Legs (Not shown).....	6017691