

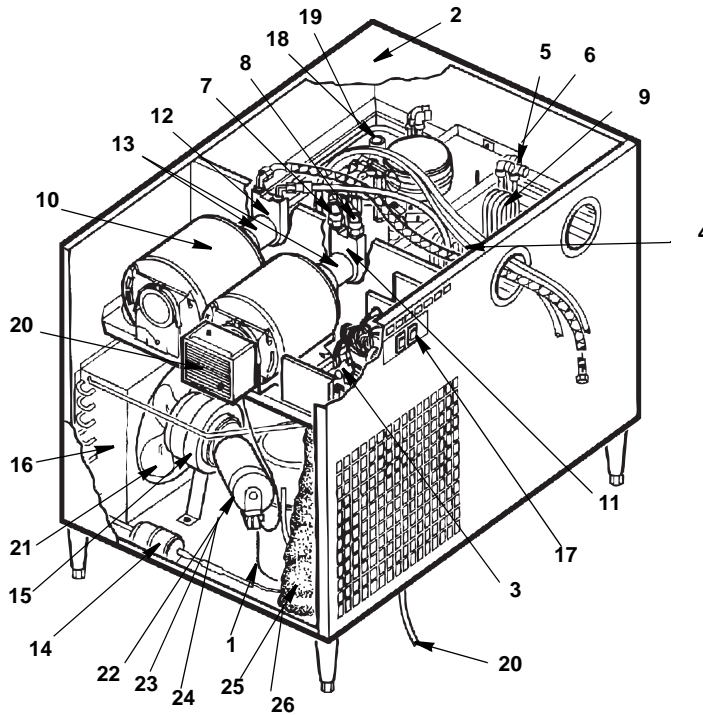


Model 2803 Series Soda Post-Mix Refrigeration Unit Parts List for Models

2803MA04

2803MAX04

MODEL 2803 BASE PARTS LIST

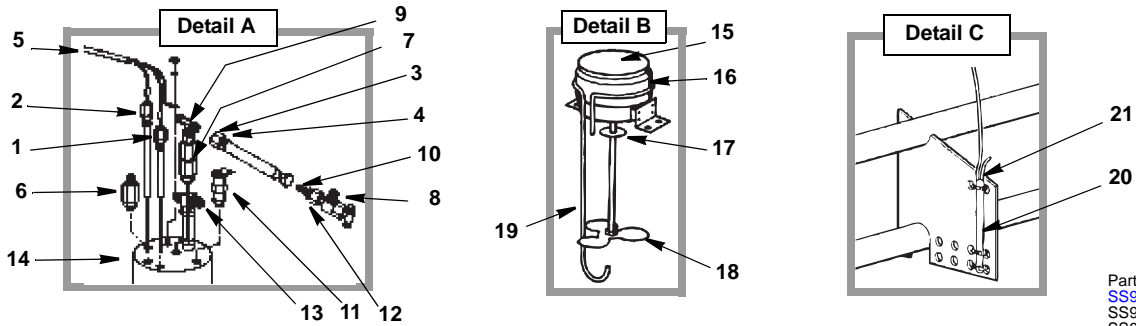


Part Numbers:
 SS902850-161
 SS902832-251
 SS902854-261

DESCRIPTION

		PART NO.
1	Compressor	
	a. 1/3 hp , 120 VAC , 1 Phase , 60 Hz , R-404A , Domestic	8251793
	b. 1/3 hp , 220 VAC , 1 Phase , 50 Hz , R-404A , International	00215881
2	Cover	00217786
3	Liquid Level Control	
	a. 1/3 hp , 120 VAC , NCC , Domestic	00206182
	b. 1/3 hp , 220 VAC , NCC , International	00206695
4	Adaptor, 3/8" OD Tube x 5/16" Tube, S-Seal	00208796
5	Elbow, 3/8" Tube x 5/16" Tube, S-Seal	00208800
6	Cover, 3/8" OD Tube Collet, Plastic	00208803
7	Elbow, 1/2" OD x 1/2" OD Tube, John Guest	00210048
8	Adaptor, 3/8" Barb x 1/2" OD Stem	00217015
9	Coil, Syrup , 5/16" OD x 6.69 ft.	00210753
10	Motor, Carbonator 113 hp , 110-120/200-240 VAC , 50/60 Hz	00213596
11	Pump, 50 GPH (189 LPH) , without Relief, Stainless Steel	00702906
12	Pump, 100 GPH (379 LPH) , with 250 psi (17 .2 bar) Relief, Brass	00702911
13	Clamp Assembly, Coupling	00705000
14	Drier, 1 7/8" Diameter x 3 3/4" X 1/4" Outlets	00216755
15	Motor, Fan	
	a. 120 VAC , 60 Hz , 9 Watts, Domestic	8251893
	b. 230 VAC , 50/60 Hz , 9 Watts, International	00216102
16	Condenser, 1/3 hp	00755489
17	Switch, Single Pole Single Throw, 16 Amp, 3/4 hp, Rocker	00804437
18	O-ring, 3/8" ID x 3/4" OD, Ntrl.	00850127
19	Stand Pipe	00208588
20	Drain Hose	RM931423
21	Blade, Condenser Fan	00725226
22	Compressor Start Relay	
	a. Domestic	020003406
	b. International	00215967
23	Compressor Start Capacitor,	
	a. Domestic	020003408
	b. International	00215969
24	Compressor Overload Protector	
	a. Domestic	020003407
	b. International	00215971
25	Heat Exchanger	00215822
26	Accumulator, Vertical	00208594

MODEL 2803 CARBONATOR, AGITATOR, & ICE BANK CONTROL



Part Numbers:
 SS902850-161
 SS902832-251
 SS902854-261

DESCRIPTION

Detail A (Carbonator Tank)

	PART NO.
1 Electrode Assembly, 5.9 Carbonator, Red	Y0208029
2 Electrode Assembly, 8.9 Carbonator, Black	Y0212105
3 Nut, 1/4 Swivel	00855000
4 Barb Stem, 1/4" x 1/4" Swivel	00854900
5 Cord Assembly, 44", LLC-Carbonator Tank, Push "on"	00208578
6 Valve, Single Check, 1/8" NPT, Stainless Steel	00701312
7 Valve, Double Check, 1/8" NPT, 0.090 Orifice	00701313
8 Valve, Manual Water Feeder	00670024
9 Tee, 1/4" MF x 1/4" MF x 1/4" FEM Swivel	00858477
10 Adapter, 1/4" Barb x 1/4" MF, Stainless Steel	00861600
11 Valve, Toggle Relief, 150 lb, 1/8" MPT, Stainless Steel, Yellow	00701334
12 Washer, Tapered, 1/4" Flare, Nylon	00852900
13 Tee, 3/8" x 3/8" x 3/8" Barb, Stainless Steel	00861502
14 Tank Assembly, Carbonator	3002023

Detail B (Agitator Motor)

15 Complete Assembly	
a. Motor Agitator w/Blade 120V - Domestic	00214204
b. Motor Agitator w/Blade 220 VAC, 50/60 Hz - International	PH214933
16 Agitator Motor	
a. 15 Watts, 120 VAC, 60 Hz, 24" Lead, Domestic	00754331
b. 15 Watts, 220 VAC, 50/60 Hz, 24" Lead, International	00754335
17 Tab Clamp	00859119
18 Washer, Water Slinger	00377102
19 Blade, Agitator, 112 Pitch	00206557
20 Heat Sink	00200911

Detail C (Ice Bank Control)

21 Electronic Ice Bank Control	
a. Retrofit Kit, 120 VAC , 50/60 Hz (Domestic units only)	00219491
b. Retrofit Kit, 230 VAC , 50/60 Hz (International units only)	00219492
22 Bracket, Ice Bank Control Bulb	00216048