

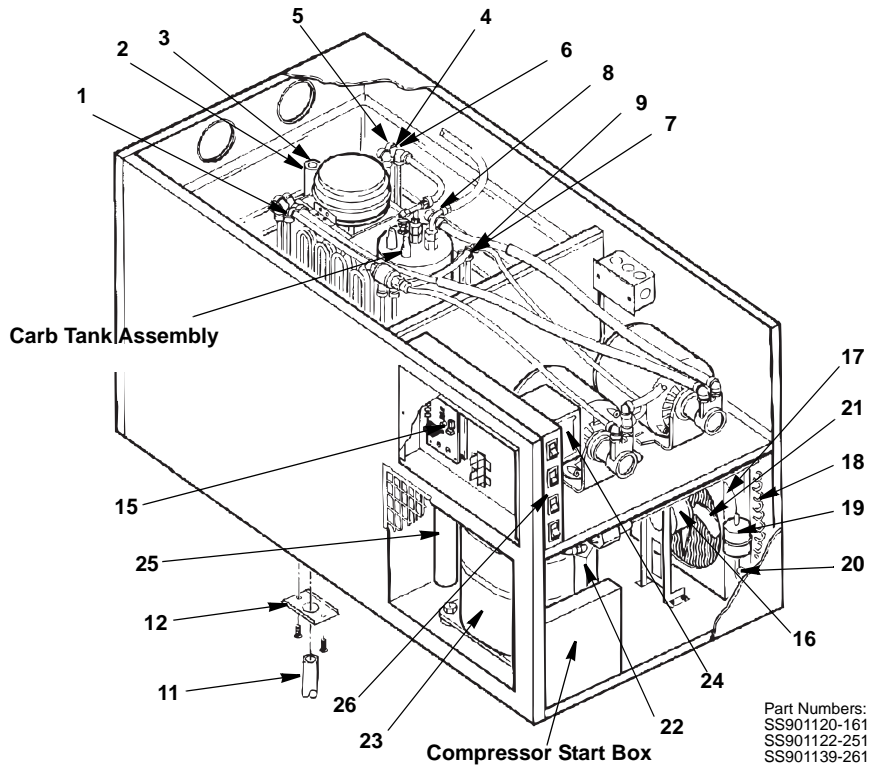
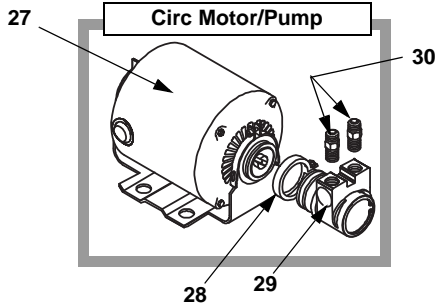
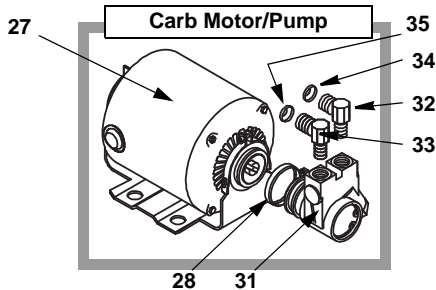


Model 11 Series Soda Post-Mix Refrigeration Unit Parts List for Models

11MA04

11MAX04

MODEL 11 BASE PARTS LIST

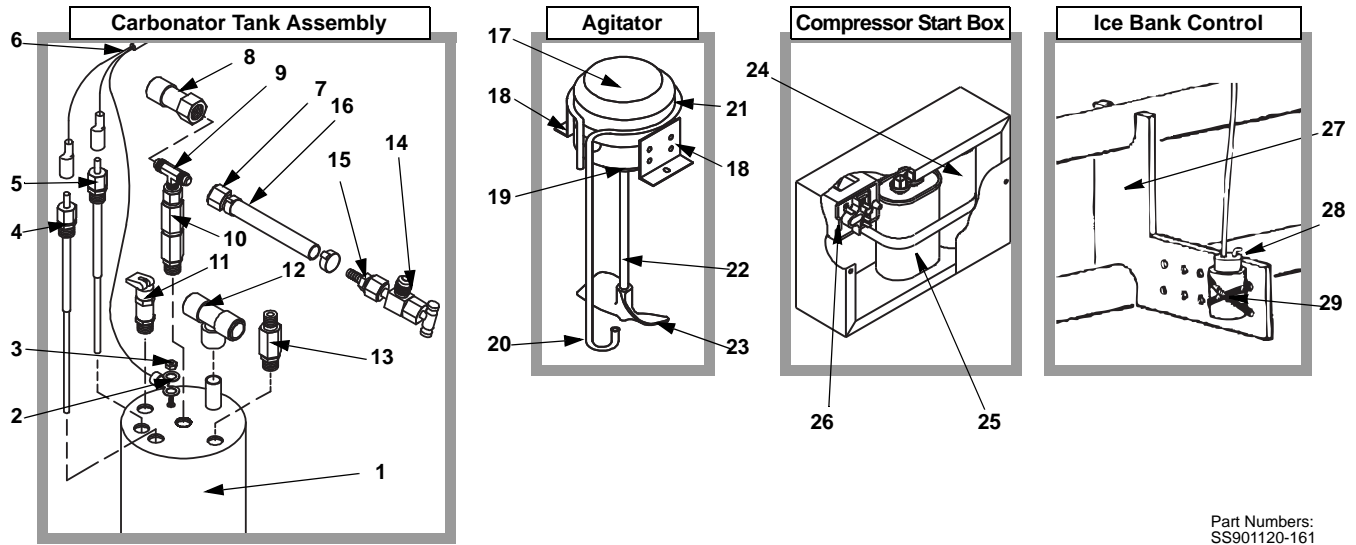


Part Numbers:
 SS901120-161
 SS901122-251
 SS901139-261

DESCRIPTION

1	Elbow, 3/8" OD X 5/16" OD Tube	00213885
2	Pipe, Stand	00206211
3	O-ring, 0.625" ID x 0.750" OD, Natural	00850127
4	Union, 1/2" OD x 3/8" OD Tube	00209397
5	Union, 1/2" OD x 5/16" OD Tube	00213864
6	Elbow, 1/2" OD x 1/2" OD Tube Stem	00211678
7	Cover, 3/8" OD Tube Collet	00208803
8	Adaptor, 1/2" Barb x 1/2" OD Tube	00210638
9	Elbow, 3/8" OD x 3/8" OD Tube	00209741
10	Adaptor, 3/8" Barb x 1/2" OD Stem, Stainless Steel	00217015
11	Hose, Drain, 3/4" x 1/8" Wall	RM931423
12	Bracket, Drain Hose Retainer	00205981
13	Cover, 1/2" OD Tube Collet	00209398
14	Tee, 1/2" OD x 1/2" OD x 3/8" OD Tube	00211283
15	Liquid Level Control	
a.	1/3 hp, 120 VAC, Domestic	00206182
b.	1/3 hp, 220 VAC, International	00206695
16	Fan Motor	
a.	35 W, 115 VAC, 60 Hz, Domestic	00753723
b.	35 W, 220 VAC, 50 Hz, International	00753724
17	Tube, 0.064" ID x 0.125" OD, Copper Capillary	00757824
18	Condenser, 1/2 hp, 10" x 11"	00755492
19	Drier, 1 7/8" Diameter x 3 3/4" X 1/4" Outlets	00216755
20	Tab Clamp	00859119
21	Blade, Condenser Fan, 10" Diameter	00755217
22	Overload Protector	
a.	Domestic	8505553
b.	International	00215973
23	Compressor	
a.	1/2 hp, 115 VAC, 1 Phase, 60 Hz, R-404A, Domestic	00215878
b.	1/2 hp, 230 VAC, 1 Phase, 50 Hz, R-404A, International	00215879
24	Control, Ice Bank	00751101
25	Accumulator, Vertical, 1 3/8" OD x 7 Lg 3/8" X 3/8" Port	00756218
26	Switch, Single Pole Single Throw, 16 A, 3/4 hp, Rocker	00804437
Motor/Pumps		
27	Motor, Carbonator 113 hp, 110-120/200-240 VAC, 50/60 Hz	00213596
28	Clamp Assembly, Coupling	00705000
29	Pump, without Relief, 100 GPH (379 LPH), Stainless Steel	00702910
30	Adaptor, 3/8" MPT x 1/2" OD Stem	00852523
31	Pump, with 250 psi Relief, 100 GPH (379 LPH), Brass	00702911
32	Elbow, Inlet, 1/2" MF x 1/2" MPT, Brass	00857608
33	Elbow, Outlet, 3/8" MF x 1/2" MPT, Brass	00855902
34	Washer, Tapered, 1/2" Flare, Nylon	00851803
35	Washer, Tapered, 3/8" Flare, Nylon	00852902

MODEL 11 CARBONATOR, AGITATOR, START BOX & ICE BANK CONTROL



Part Numbers:
 SS901120-161
 SS901122-251
 SS901139-261

DESCRIPTION

Carbonator Tank Assembly

	PART NO.
1 Tank Assembly, Carbonator, 4" D x 15" L, 1/2" OD John Guest Stem	3001993
2 Washer, Internal Tooth Lock, #10, Stainless Steel	00856404
3 Nut, Hex 10-24, Stainless Steel	00850812
4 Electrode Assembly, 8.9 Carbonator, Black	Y0212105
5 Electrode Assembly, 6.2 Carbonator, Red	Y0212106
6 Cord Assembly, 26" LLC, Carbonator Tank	00207887
7 Nut, 1/4" Swivel	00855000
8 Adaptor, 1/4" FF x 3/8" OD John Guest Tube	00211757
9 Tee, 1/4 MF x 1/4" MF x 1/4" FEM Swivel	00858477
10 Valve, Double Check, 1/8" NPT, 0.090 Orifice	00701313
11 Valve, Toggle Relief, 150 lb, 1/a" MPT, Stainless Steel, Yellow	00701334
12 Tee, 1/2" OD x 1/2" OD x 1/2" OD Tube	00210862
13 Valve, Single Check, 1/8" NPT, Stainless Steel	00701312
14 Valve, Shut-off, Manual Water Feeder	00670024
15 Adaptor, 1/4" Barb x 1/4" MF, Stainless Steel	00861600
16 Barb Stem, 1/4" X 1/4" Swivel	00854900

Agitator

17 Agitator Motor	
a. 25 W, 115 VAC, 60 Hz, Domestic	00753715
b. 25 W, 220 VAC, 50 Hz, International	00213018
18 Bracket, Mounting, Agitator Motor	00215727
19 Washer, Water Slinger	00377102
20 Heat-Sink, Agitator Motor, Water Cooled	00200911
21 Tab Clamp	00859119
22 Pin, Roll, 3/32" x 9/16", Stainless Steel	00859503

Propeller

a. 3 1/8" Diameter, Plastic, Domestic	00751210
b. 3 1/8" Diameter, Plastic, International	00751208
24 Capacitor, Start, 370 VAC	00215941

Compressor Start Box

25 Run Capacitor	
a. 250/330 VAC, Domestic	00215942
b. 440 VAC, International	00212976

Compressor Start Relay

a. Domestic	00215943
b. International	00214231

27 Bracket, Mounting, Ice Bank Control Bulb	00216067
28 Ice Bank Control	00751101
29 Tie, Cable, Self Locking, 3 3/4"	00855700