

WELBILT®

Bringing innovation to the table

Parts Manual

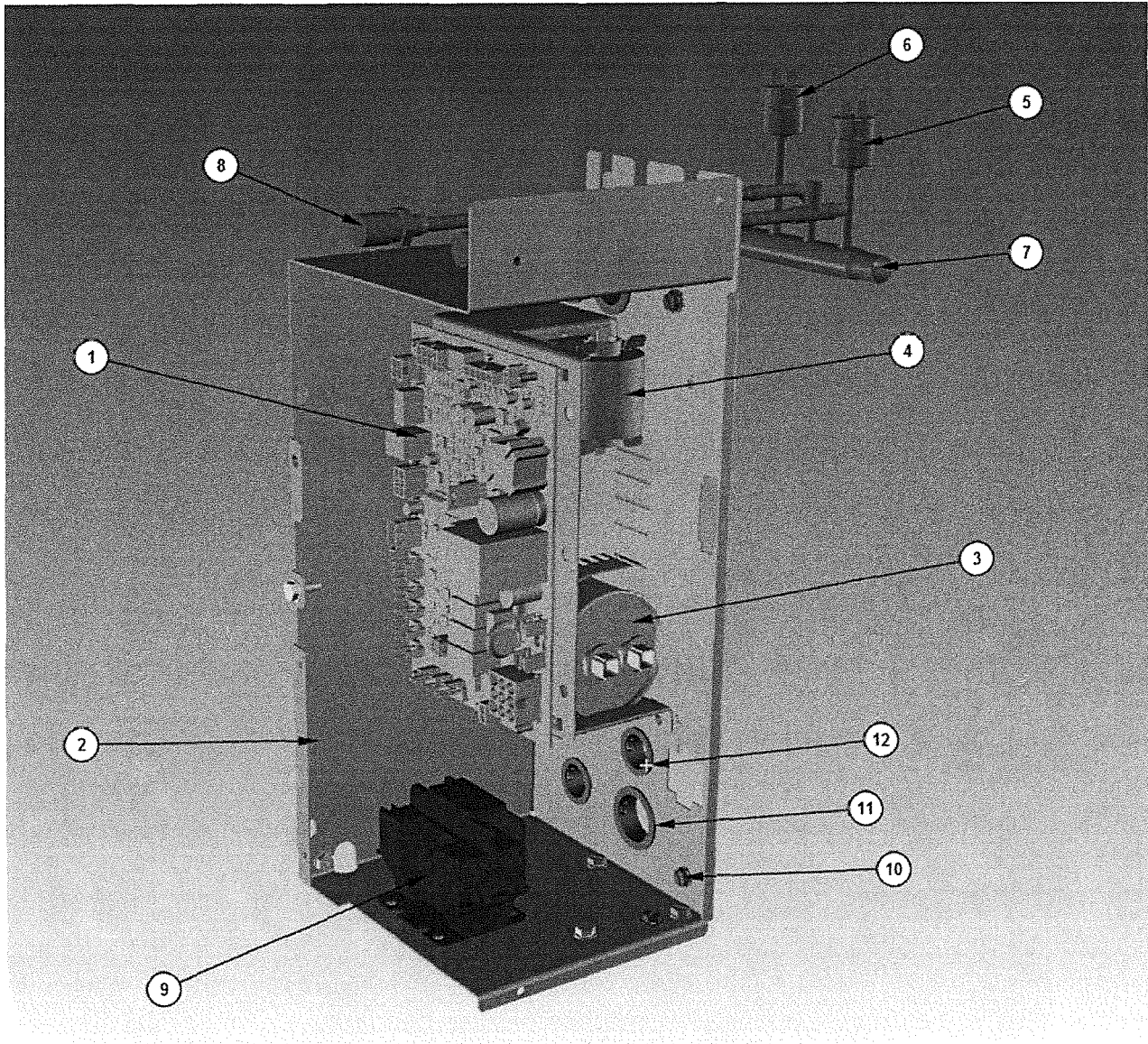
For more Parts Information:
<https://manitowocfsg.sysonline.com/Default.aspx>

TABLE OF CONTENTS

iT1200 Indigo NXT	
iT1200 - Control Box.....	1
iT1200 - Evaporator Compartment.....	4
iT1200 - Refrigeration Compartment - Common Components.....	6
iT1200 - Refrigeration Compartment – Air-cooled.....	9
iT1200 - Refrigeration Compartment – Water-cooled.....	11
iT1200 - Refrigeration Compartment – Remote.....	13
iT1200 - Panels.....	15
JCT1200 Remote Condenser.....	17

iT1200 Indigo NXT

iT1200 - Control Box



iT1200 Indigo NXT

iT1200 - Control Box

#	PART #	DESCRIPTION	QTY	Note
1	000015208	Control Board		
1a	000015009	Ceramic Fuse - 6.3A		
2	000013818	Control Box		
2a	000012138	Control Box Cover		
2b	000007564	Control Board Mounting Bracket		
2c	4302253	Control Board Mounting Supports		
3		Compressor Run Capacitor		
3a	000011640	Run Capacitor - 230V/50-60Hz/1 Ph		[1]
3b	000010708	Run Capacitor - 115-230V/50-60 Hz/1 Ph		[2]
3c	6021601	Capacitor Mounting Strap		
4	000014323	PTCR - 12A		[3]
4a	8505003	PTCR - 10A		[4]
4b	8505023	PTCR Mounting Bracket		
4c	8505013	PTCR Mounting Bracket		
5	000013576	High Pressure Cut-out		
6	000013531	Fan Cycling Control - 335-275 psig		
7	000011173	Manifold Strainer		
7a	6058571	Bracket - Access Valves/Manifold Strainer		
7b	000010699	Grommet - Manifold Strainer		
8	8373263	Refrigeration Service Valve Assembly - 0.375"		
8	000012264	Refrigeration Service Valve Assembly - 0.3125"		
8	8373253	Access Valve		
9		Contactors		
9a	2009089	Contactors - 208-230V/50-60 Hz/1 Ph		
9b	2006619	Contactors - 230V/60 Hz/3 Ph		
10	5202169	Screw - #10-24 x 0.5" Ground		
10a	5573209	Star Washer		
11	2500019	Bushing - 1.187"		
12	2501409	Bushing - 0.875"		
13	5202069	Screw - #10-24 x 0.5" HEX		
13a	5573209	Star Washer		
14		Control Box Wiring Harness		
14a	000007179	Control Box Wiring Harness - 230V/60 Hz/1 Ph		
14b	000007180	Control Box Wiring Harness - 230V/50 Hz/1 Ph		
14c	000007181	Wiring Harness - Control Box - 3 Ph		
15	2008263	Compressor - Wiring Harness - 3 Ph		
16		Compressor Compartment Wiring Harness		
16a	000008257	Compressor Compartment Wiring Harness - Air-cooled		
16b	000008258	Compressor Compartment Wiring Harness - Water-cooled		
16c	000008259	Compressor Compartment Wiring Harness - Remote Air-cooled		
17	000012569	Electronic Noise Filter - Korea		
17a	000005500	Electrical Noise Filter Wiring Harness		
17b	000011505	Terminal Cover		
17c	000011506	Terminal Cover Gasket		

iT1200 Indigo NXT

iT1200 - Control Box

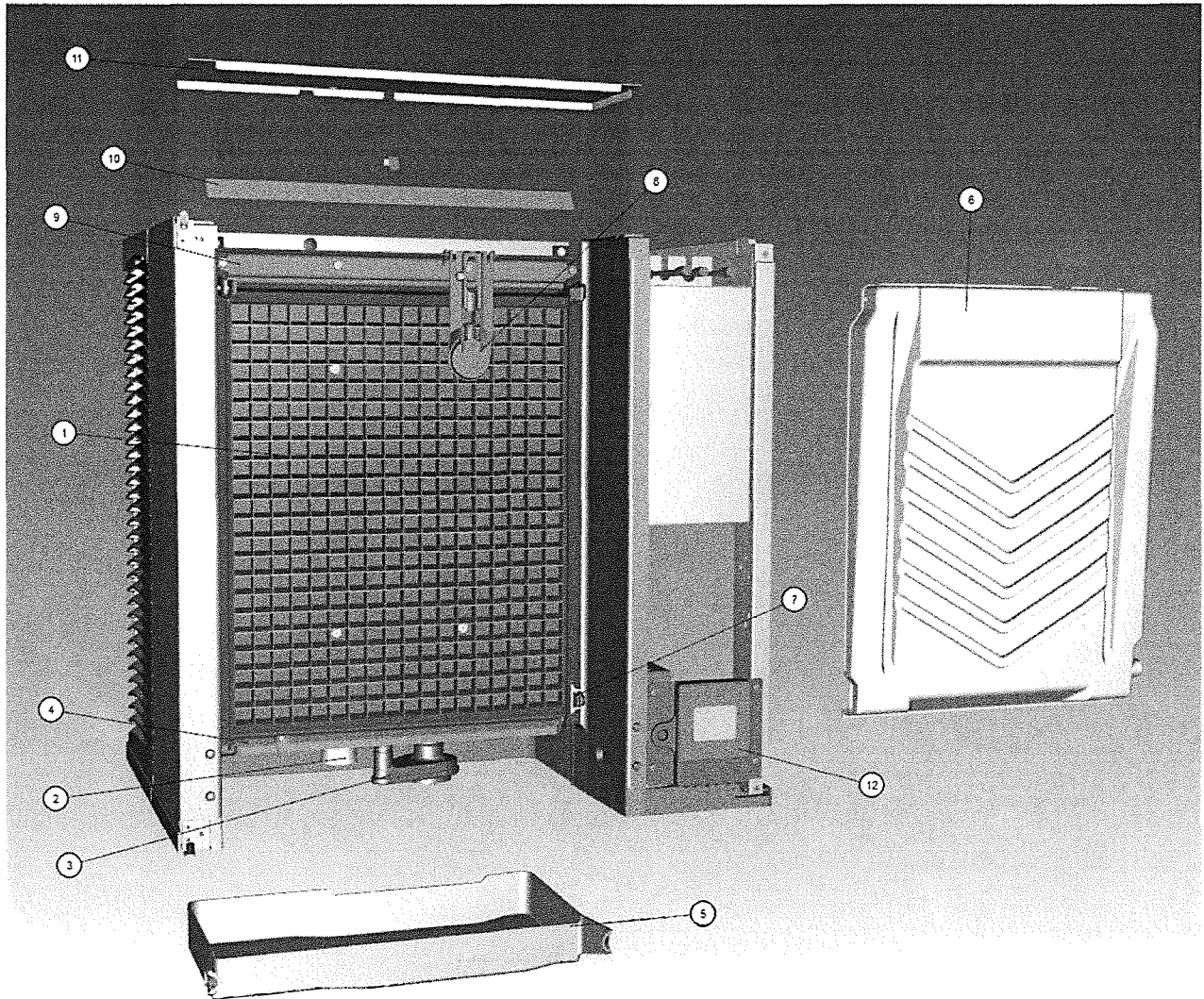
#	PART #	DESCRIPTION	QTY	Note
---	--------	-------------	-----	------

PART NOTES:

- [1] - 60 Hz
- [2] - 50 Hz
- [3] - Air-cooled Water-cooled Models
- [4] - Remote Models

iT1200 Indigo NXT

iT1200 - Evaporator Compartment



iT1200 Indigo NXT

iT1200 - Evaporator Compartment

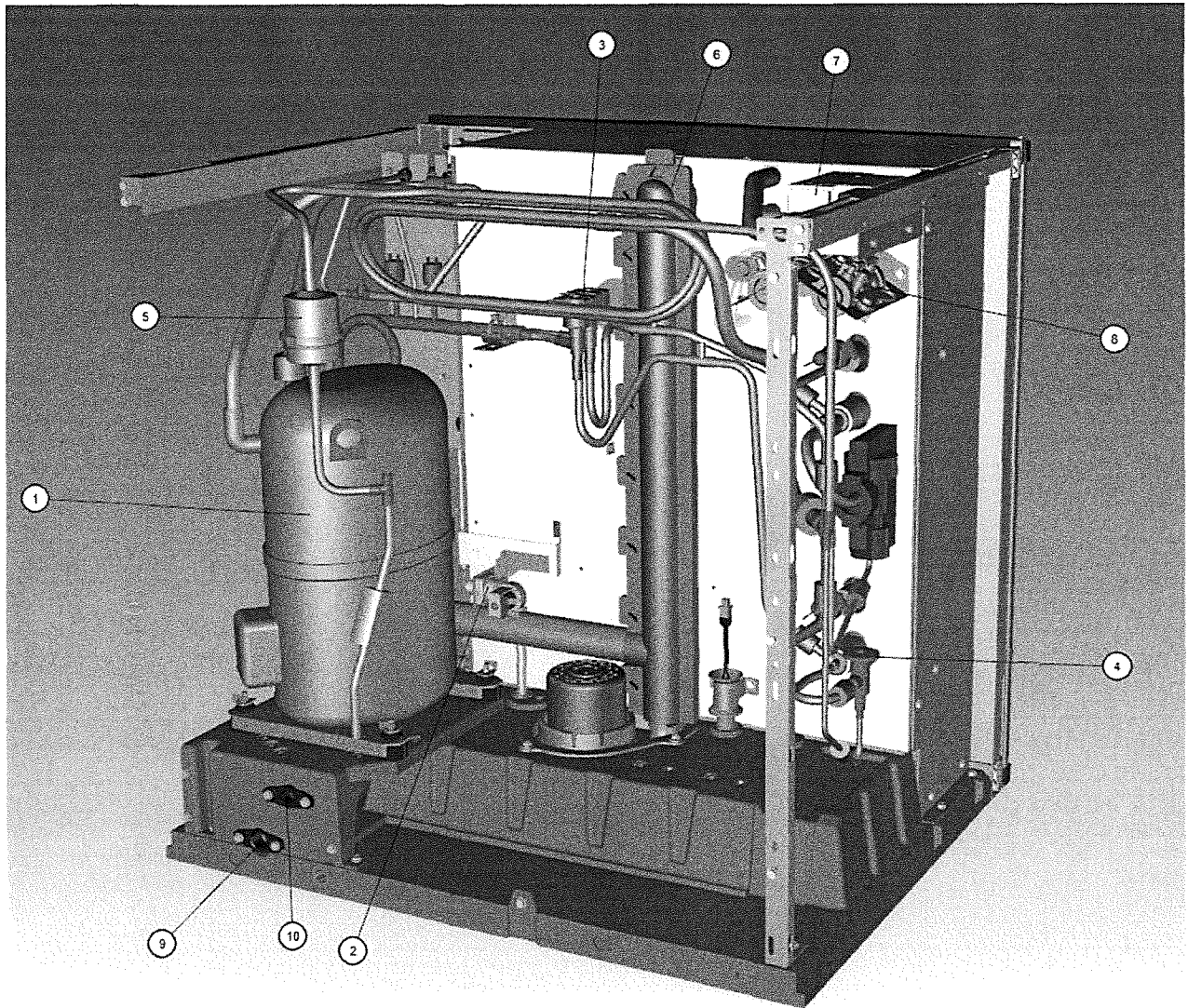
#	PART #	DESCRIPTION	QTY	Note
1		Evaporator Assembly		
1a	000013524	Evaporator - Half Dice Cube		
1b	000013523	Evaporator - Dice Cube		
2	000007052	Water Level Probe		
2a	000007724	Wire - Control Box to Water Level Probe		
2b	000007053	Water Level Probe - Holder		
2c	5202099	Screw - #10-24 x 0.5" PHIL		[1]
3		Water Pump - See Note for Usage		
3a	2008109	Water Pump - 230V/60 Hz		[2]
3b	2008119	Water Pump - 230V/50-60 Hz		[3]
3c	000010244	Water Pump Mount		
4	7602213	Water Diverter - 30" Models		
4a	5305123	Thumbscrew SS - #8-32 x 0.44"		
5	000010337	Water Trough		
6	000015209	Ice Thickness Control Probe		
7	000007888	Magnetic Bin Switch		
7a	000014038	Bin Switch Wiring Harness		
8	4014489	Water Curtain		
9	7602193	Water Distribution Tube - 30" L		
9a	5004649	O-Rings - 0.675"		[4]
10	3006729	Evaporator Top Filler Panel		
10a	6063339	Bracket - Top Filler Panel		
10b	5202099	Screw - #10-24 x 0.5" PHIL		
11	000010322	Foodzone Seal Panel - 30"		[5]
12	000015154	Touch Screen Housing Assembly - 30"/48"		
12a	000006697	Mounting Bracket		[6]
15	7602203	Evaporator Top Frame Assembly		
17	5004799	Thumbscrew SS - #8-32 x 0.375"		[7]
17a	5004629	O-Ring - 0.125" ID		
18	5004619	Screw - #12-16 x 0.687"		
19	5004659	Water Pump Base O-Ring - 4.00" ID		
20	5004679	Water Pump Outlet O-Ring - 0.875" ID		
21	000001376	Flow Restrictor - 0.42" ID x 0.9" L		[8]

PART NOTES:

- [1] - Mount Water Level Probe Holder
- [2] - 60 Hz
- [3] - 50 Hz
- [4] - Back of Distribution Assembly
- [5] - Tape into Place
- [6] - Mounts Housing Assembly to Machine
- [7] - Water Distribution Tube Mounting
- [8] - Dice Cube / 60 Hz Models Only

iT1200 Indigo NXT

iT1200 - Refrigeration Compartment - Common Components



iT1200 Indigo NXT

iT1200 - Refrigeration Compartment - Common Components

#	PART #	DESCRIPTION	QTY	Note
1		Compressor		
1a	000011176	Compressor - Samsung - 208-230V/60 Hz/1 Ph		[1]
1b	040004804	Compressor - Samsung - 230V/50 Hz/1 Ph		[1]
1c	000015293	Compressor - Bristol - 208-230V/60 Hz/1 Ph		[2]
1d	000014486	Compressor - Bristol - 208-230V/50 Hz/1 Ph		[2]
1e	000014487	Compressor - Bristol - 208-230V/60 Hz/3 Ph		[3]
1f	000011182	Wiring Harness - Compressor - Samsung		
1g	000005176	Molded Plug Wiring Harness - Compressor - Bristol		
2	000009121	Water Inlet Valve - 208-230V/50-60 Hz		[4]
3		Harvest Valve		
3a	000015042	Solenoid Valve 0.375" x 0.375" Including 208-230V/50-60 Hz Electrical Coil		[5]
3b	000005157	Solenoid Valve Coil Only - 230V/50-60 Hz		
4	000015016	Expansion Valve		[6]
4	000015288	Expansion Valve		[7]
4a	000012443	Valve Insulation Boot - Body		
5	000015863	Drier with Access Port		[8]
5	8930249	Drier		[2]
6	000003408	Insulated Tube		[9]
6a	5650609	Snap Clamp - 1.0" ID		
6b	5650709	Snap Clamp - 0.799"/0.899" ID		
7	K00454	LuminIce II - Bulb		
7a	000014037	Wiring Harness - LuminIce II		
8	000007223	Air Assist - 230V		
8a	4011739	Air Manifold		[10]
8b	000014419	Air Assist Bracket		
8c	3001453	Air Assist - Nozzle		
8d	4420883	Vinyl Tubing - 0.25" ID		
9	8706093	Female Wing Adapter - 0.375"		[11]
9a	1360961	Male Connector		
10	000005423	Female Wing Adapter - 0.5"		
11	000014063	Water Dump Valve - 208-230V/50-60 Hz		
11a	6058459	Water Dump Valve Mounting Bracket		
12	4420383	Clear Tubing - 0.625" ID		
13	4420291	Tygon Tube - 0.25" OD		
14	1360989	Connector - Water Inlet Valve		
14a	4010439	Tubing - Water Inlet Valve		
15	000001382	Vinyl Tubing 0.625" ID		[12]
15a	6038831	Insulation - 0.88" ID x 0.25" W x 13.5" L		
15b	5650709	Snap Clamp - 0.799"/0.899" ID		
16		Compressor Mounting		
16a	000008346	Compressor Base		
16b	8503069	Mounting - Rubber Grommet		
16c	8503949	Mounting - Sleeve		
16d	5004819	Compressor Mounting - Bolt		
16e	5004829	Compressor Mounting - Nut		
17	000015573	Thermistor with Spring Clips		

iT1200 - Refrigeration Compartment - Common Components

iT1200 Indigo NXT

iT1200 - Refrigeration Compartment - Common Components

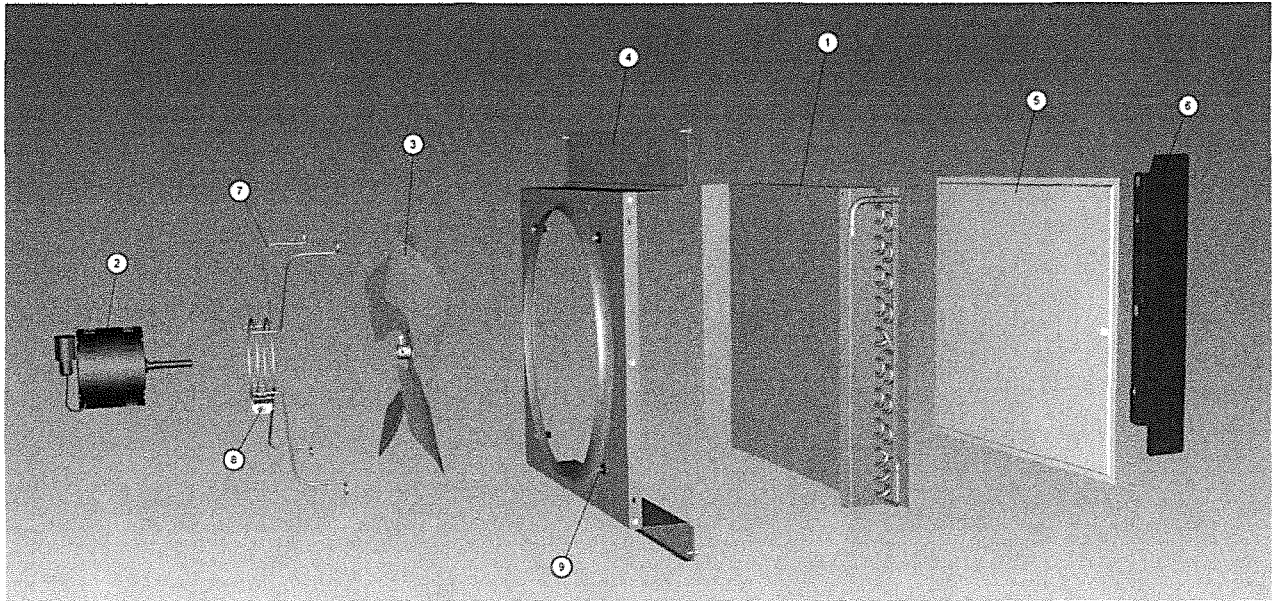
#	PART #	DESCRIPTION	QTY	Note
18	5650529	Clamp - Expansion Valve Bulb		
19	3000503	Strap - Expansion Valve Bulb - 0.5"		
20	000002719	Valve Insulation Boot - Bulb		
21	5202069	Screw - #10-24 x 0.5" HEX		

PART NOTES:

- [1] - Air- Water-cooled Models
 - [2] - Remote Models
 - [3] - All 3 Phase Models
 - [4] - 1.7 GPM
 - [5] - With Screen
 - [6] - Top
 - [7] - Bottom
 - [8] - Air-cooled Water-cooled Models
 - [9] - vinyl tubing from distribution tube to water pump & dump valve
 - [10] - Air Pump Tubing Outlet
 - [11] - Brass
- If replacing a nylon fitting you must order 1360961
- [12] - dump valve to drain adapter

iT1200 Indigo NXT

iT1200 - Refrigeration Compartment – Air-cooled



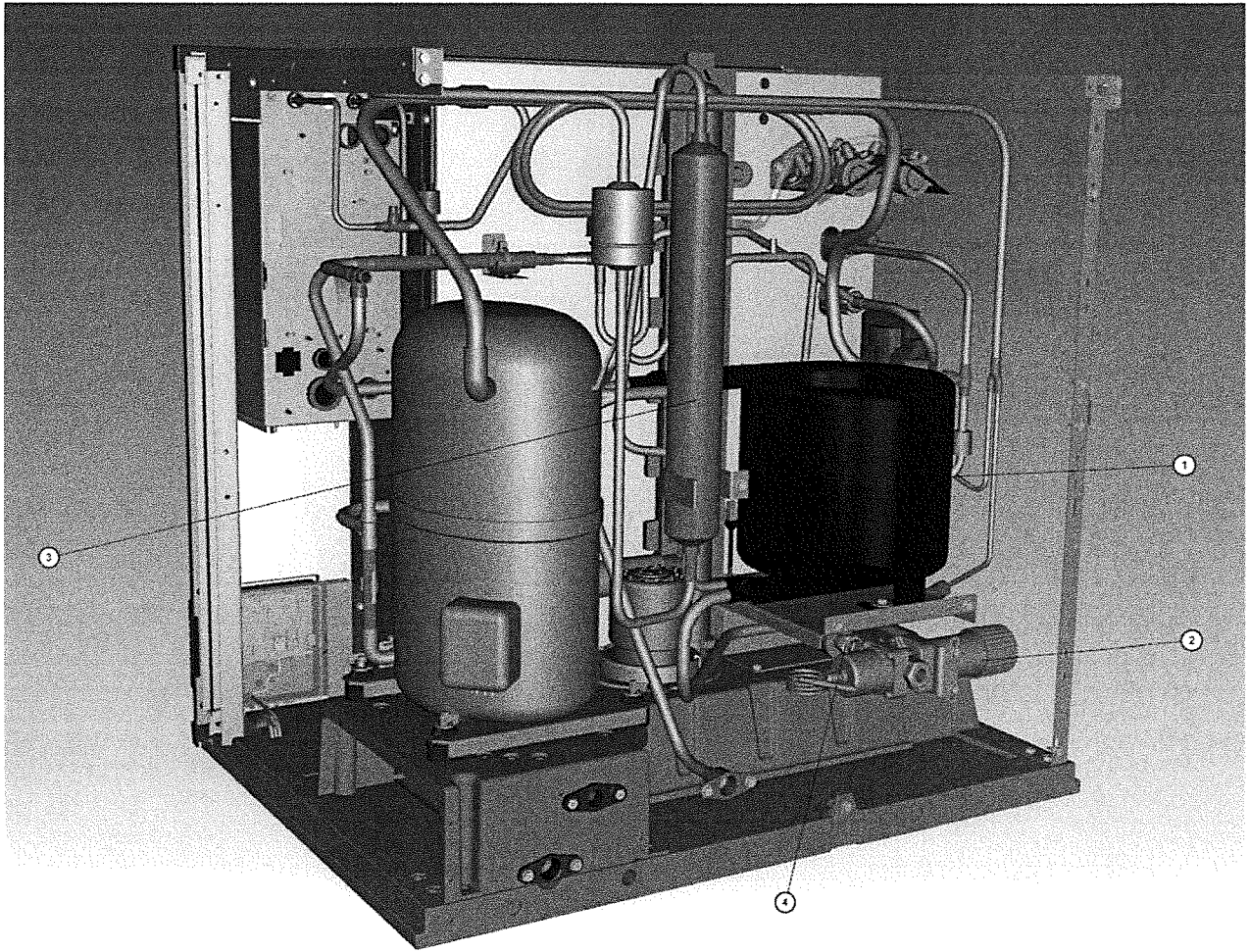
iT1200 Indigo NXT

iT1200 - Refrigeration Compartment – Air-cooled

#	PART #	DESCRIPTION	QTY	Note
1	000014658	Air Condenser		
2	7626723	Fan Motor - 200-230V/50-60 Hz		
3	2416123	Fan Blade		
4	000010978	Fan Shroud		
5	4040213	Air Filter - 17.25" x 26.25"		
6	000007678	Air Baffle Assembly		
7	3006843	Mounting Bracket - Fan Motor		
8		Fan Motor Mounting		
8a	5033589	Screw		
8b	5545109	Lockwasher		
8c	5429529	Mounting - Hexnut		
9		Fan Bracket Mounting		
9a	5033589	Screw		
9b	5545109	Lockwasher		
9c	5573059	Flatwasher		
9d	5429559	Rubber Wellnut		
10	5202069	Screw - #10-24 x 0.5" HEX		

iT1200 Indigo NXT

iT1200 - Refrigeration Compartment – Water-cooled



iT1200 - Refrigeration Compartment – Water-cooled

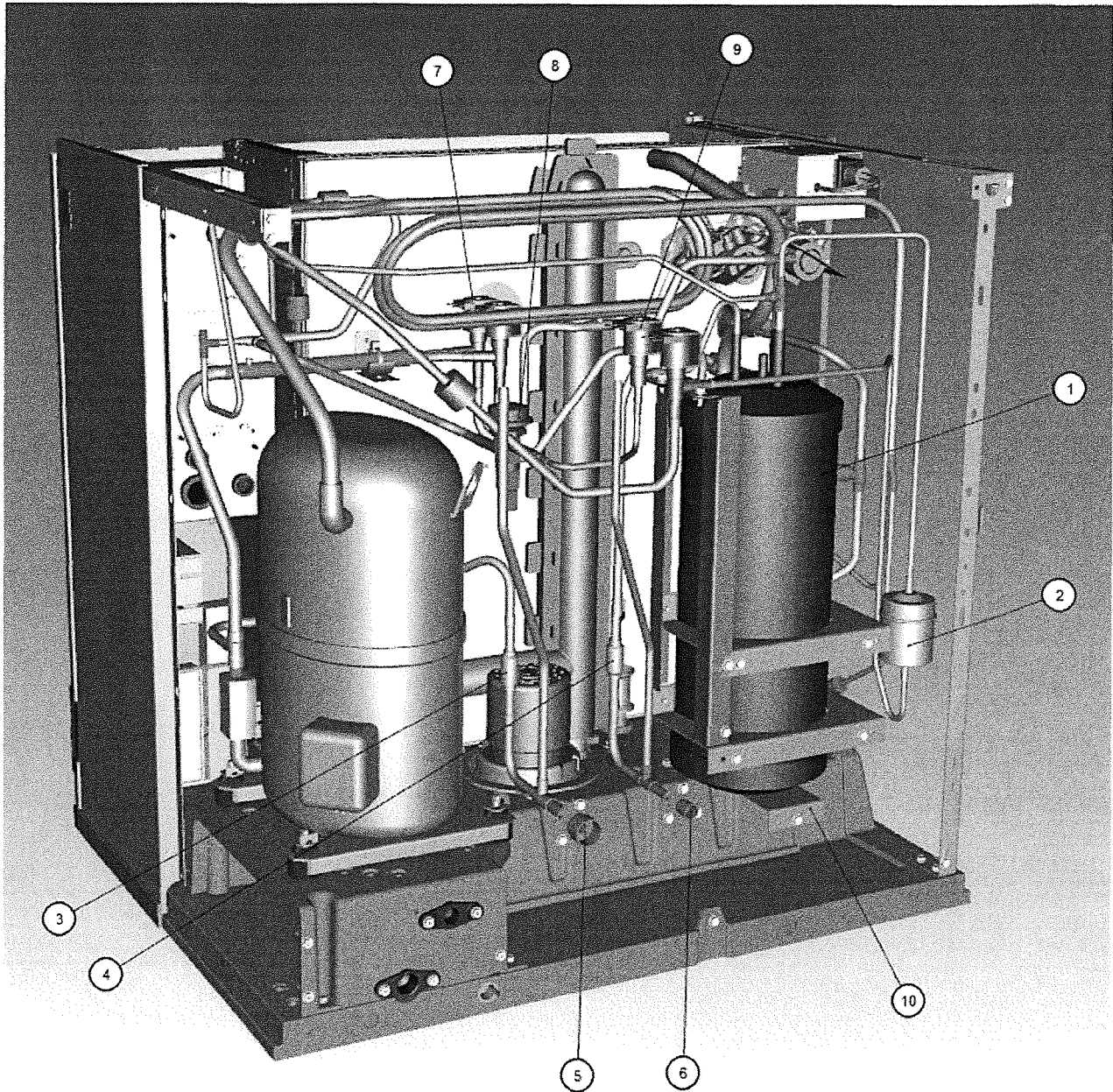
iT1200 Indigo NXT

iT1200 - Refrigeration Compartment – Water-cooled

#	PART #	DESCRIPTION	QTY	Note
1	000001508	Water-cooled Condenser		
2	000013475	Water Regulating Valve - 0.375"		
3	000008894	Receiver		
4	5003883	Flare Nut - 0.5"		
4a	8332033	Water Coupling		
5	6069189	Coupling Panel - Water/Remote		
6	6000541	Receiver Strap		
7	5002249	Elbow - 0.5" MF x 0.375" MPT		
8	5202069	Screw - #10-24 x 0.5" HEX		
9	5573419	Washer		
10	6066849	Receiver Base		

iT1200 Indigo NXT

iT1200 - Refrigeration Compartment – Remote



iT1200 - Refrigeration Compartment – Remote

iT1200_7.pdf



iT1200 Indigo NXT

iT1200 - Refrigeration Compartment – Remote

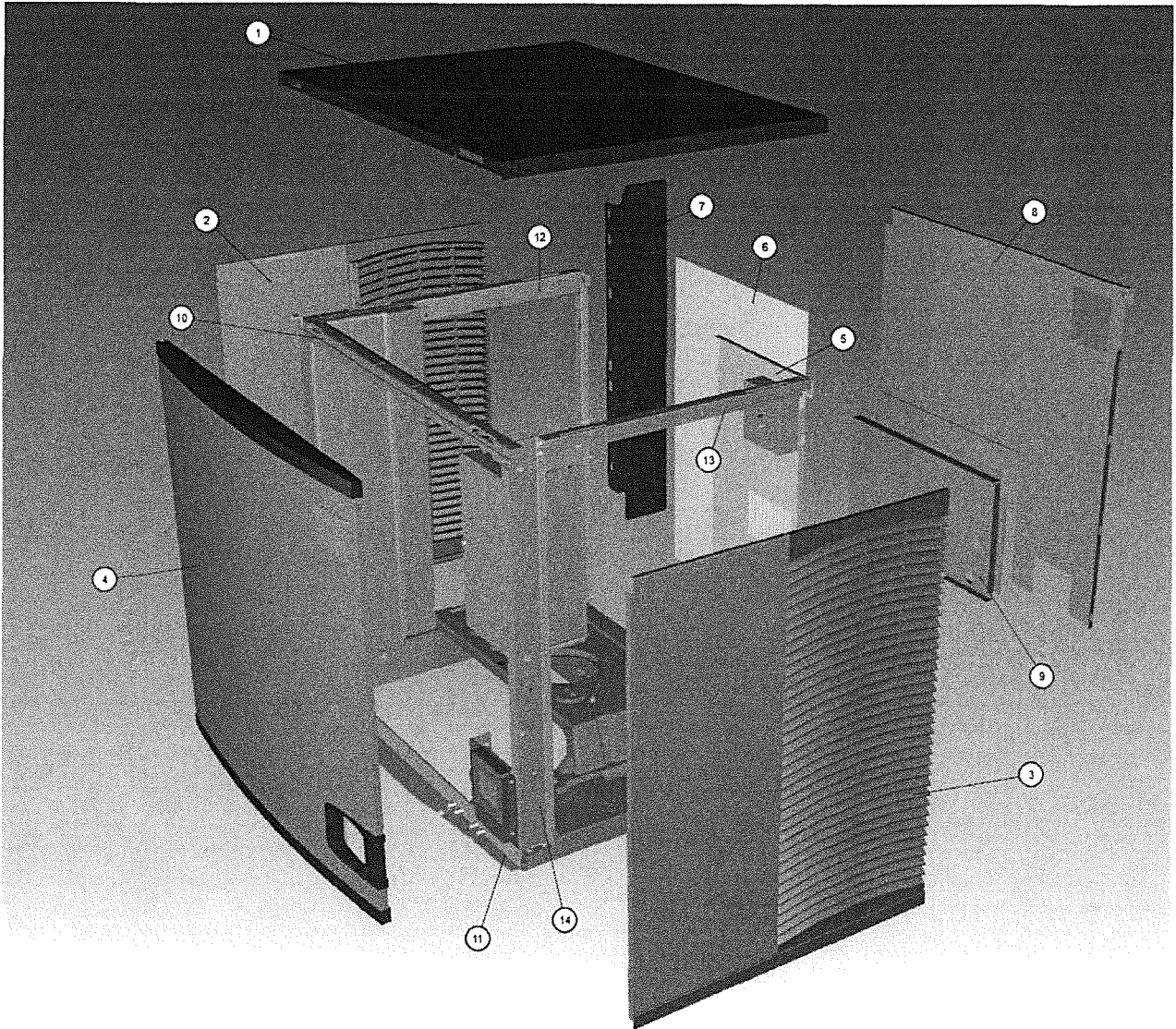
#	PART #	DESCRIPTION	QTY	Note
1	7629573	Receiver		
2	8930249	Drier		
3, 4	8373149	Magni-Check Valve - 0.375"		
5	000014479	Coupling - Male - 1.17"-12		
5a	8360063	Coupling Mounting Flange for 1.17"-12		
6	000014478	Coupling - Male - 0.625"-18		
6a	8360053	Coupling Mounting Flange for 0.625"-18		
7		Harvest Valve		
7a	000015042	Solenoid Valve 0.375" x 0.375" Including 208-230V/50-60 Hz Electrical Coil		[1]
7b	000005157	Solenoid Valve Coil Only - 230V/50-60 Hz		
8	000015157	Harvest Pressure Regulating (HPR) Valve		[2]
9		Liquid Line Solenoid Valve		
9a	000007026	Solenoid Valve 0.375" x 0.375" Including 208-230V/50-60 Hz Electrical Coil		[3]
9b	000005157	Solenoid Valve Coil Only - 230V/50-60 Hz		
10		Receiver Mounting		
10a	6000561	Receiver Mounting Bracket		
10b	6307214	Mounting Strap - Receiver		
10c	000006702	Support Bracket		
10d	000011072	Base - Water/Remote		
10e	5202069	Screw - #10-24 x 0.5" HEX		
11		HPR Valve - Harvest Pressure Regulating Solenoid		
11a	000015050	Solenoid Valve 0.25" x 0.25" Including 208-230V/50-60 Hz Electrical Coil		[1]
11b	000005157	Solenoid Valve Coil Only - 230V/50-60 Hz		

PART NOTES:

- [1] - With Screen
- [2] - HPR
- [3] - Without Screen Danfoss

iT1200 Indigo NXT

iT1200 - Panels



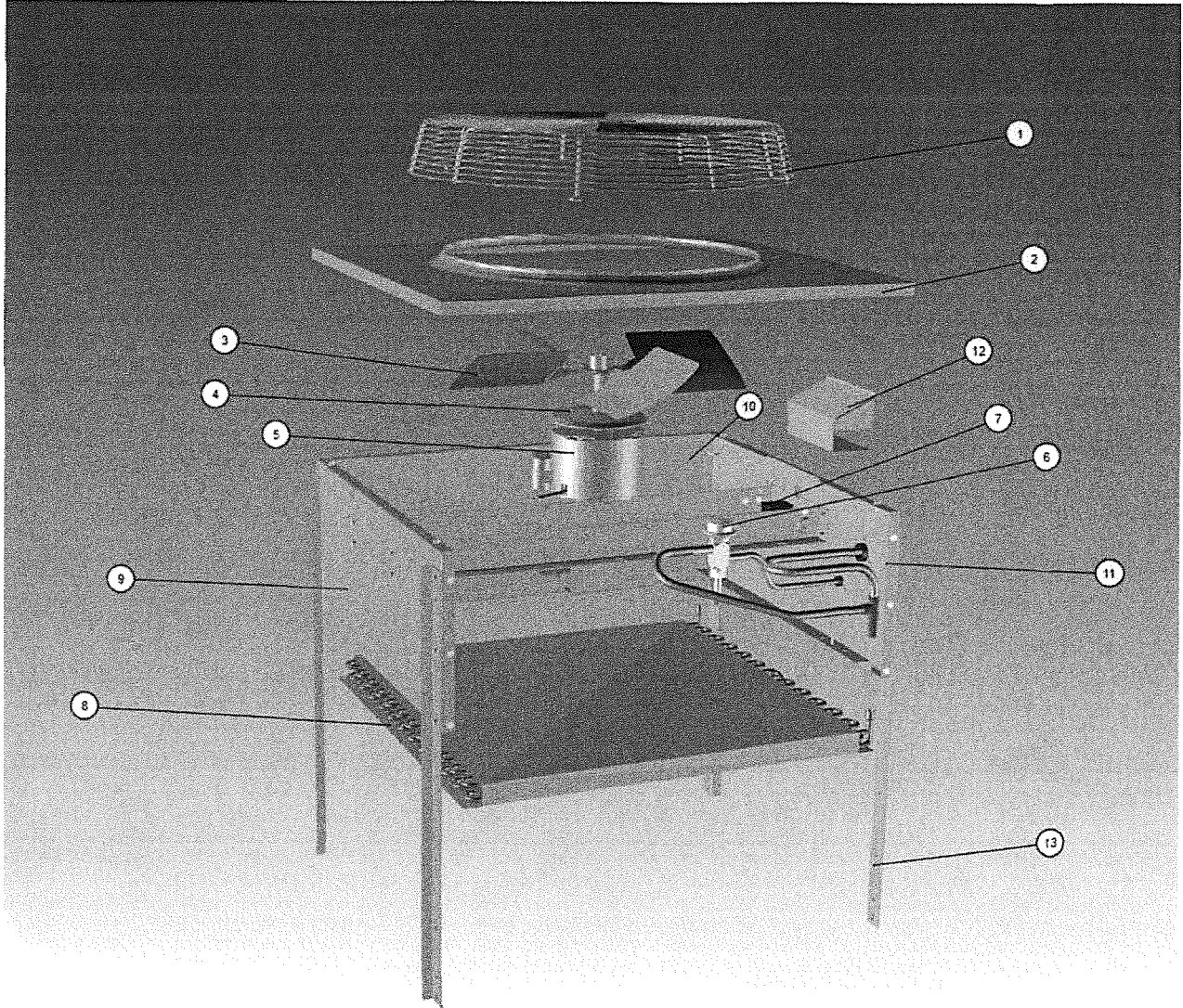
iT1200 Indigo NXT

iT1200 - Panels

#	PART #	DESCRIPTION	QTY	Note
1	000006699	Top Cover		
2	000012620	Left Side Panel - 29.5" H		
3	000012619	Right Side Panel - 29.5" H		
4	000015670	Front Panel Assembly - 30" x 29.5"		
4a	5004899	Front Panel Screw		
4b	000006538	Top Endcap		
4c	000006539	Bottom Endcap		
5	000014532	Back Panel - Air-cooled Models		
6	4040213	Air Filter - 17.25" x 26.25"		
7	000007678	Air Baffle Assembly		
8	6072501	Back Panel - Water/Remote		
9	6069189	Coupling Panel - Water/Remote		
10	000010051	Front Top Support		
10b	5005379	Mounting Screw - #8-32 x 1.0" PHIL		
10c	5005099	Screw - #10-16 x 0.625"		
11	7602263	Bottom Door Frame		
11a	5005379	Mounting Screw - #8-32 x 1.0" PHIL		
11b	5202099	Screw - #10-24 x 0.5" PHIL		
12	6068649	Left Top Channel		
13	6062571	Right Top Channel		
14	000011335	Right Corner Post		
15	000011102	Left Corner Post		
16		Electrical Box on Rear of Ice Machine		
16a	6067289	Rear Connection Box		
16b	6067299	Cover - Rear Connection Box		
16c	000007772	Terminal Block - 6 Pole		
16d	5202169	Screw - #10-24 x 0.5" Ground		
17		Front Panel Mounting		
17a	5005379	Mounting Screw - #8-32 x 1.0" PHIL		
17b	000001127	Tapping Plate - Door Hinge Screws		
17c	3005579	Left Door Pivot Leaf Hinge		
18	7112429	Cartoning		

iT1200 Indigo NXT

JCT1200 Remote Condenser



JCT1200 Remote Condenser

JCT1200 Remote Condenser



iT1200 Indigo NXT

JCT1200 Remote Condenser

#	PART #	DESCRIPTION	QTY	Note
1	3400643	Fan Guard		
2	6017751	Top Cover		
3	2416113	Fan Blade		
4	2415053	Rain Slinger		
5	7629413	Fan Motor - 208-230V/50-60 Hz/1 Ph		
5a	000010947	Fan Motor Mounting Bracket - Support		
5b	000010917	Fan Motor Mounting Bracket and Bottom Bracket for Legs		
6	000008870	Head Pressure Control Valve		
7	000008040	Terminal Block - 3 Pole		
8	8850629	Air Condenser		
9	000000607	Panel - Front		
10	000010865	Panel - Side		
11	000000608	Panel - Rear		
12	6017761	Electrical Box Cover		
13	0000010873	Legs		[1]
13a	000010917	Fan Motor Mounting Bracket and Bottom Bracket for Legs		
13b	5202169	Screw - #10-24 x 0.5" Ground		
14	5035659	Fan Motor Mounting Screw		
14a	5573099	Mounting - Flatwasher		
14b	5573139	Lockwasher		
14c	5429759	Hexnut		
15	5033459	Screw - 0.25"-20 x 0.625"		
15a	5573049	FlatwasherMounting -		
15b	5545119	Mounting - Lockwasher		
15c	5429529	Mounting - Hexnut		
16	5202069	Screw - #10-24 x 0.5" HEX		
17	2512033	Strain Relief Bushing		
18	2502189	Bushing - 0.625"		
19	5573209	Star Washer		
20	8360343	Coupling - Male - 0.625"-18		
20a	8360053	Coupling Mounting Flange for 0.625"-18		
21	8360353	Coupling - Male - 1.17"-12		
21a	8360063	Coupling Mounting Flange for 1.17"-12		
22	7108369	Cartoning		

PART NOTES:

[1] - Sold Individually