

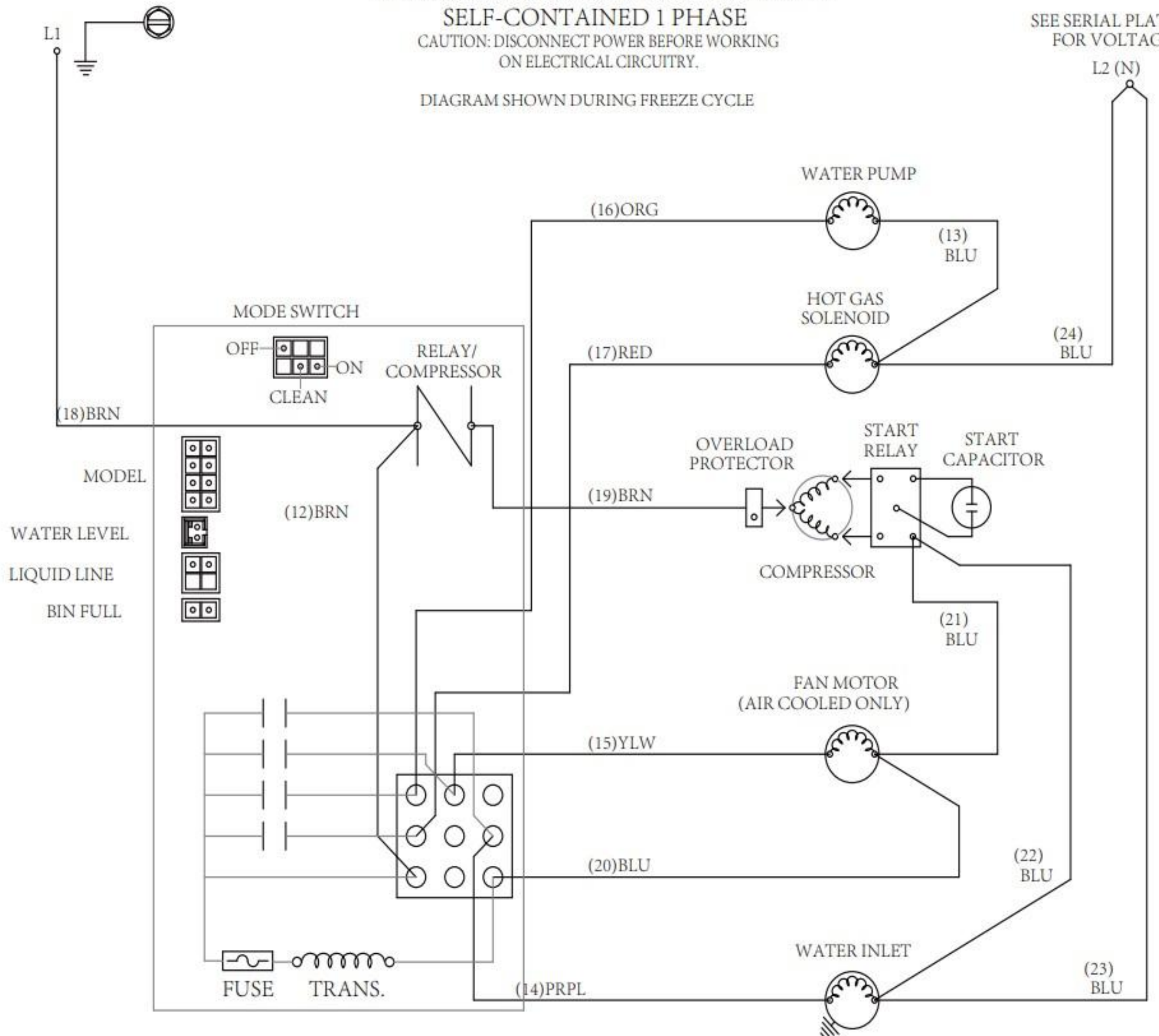
UG18/20 MACHINES - WIRING DIAGRAM

SELF-CONTAINED 1 PHASE

CAUTION: DISCONNECT POWER BEFORE WORKING ON ELECTRICAL CIRCUITRY.

DIAGRAM SHOWN DURING FREEZE CYCLE

SEE SERIAL PLATE FOR VOLTAGE



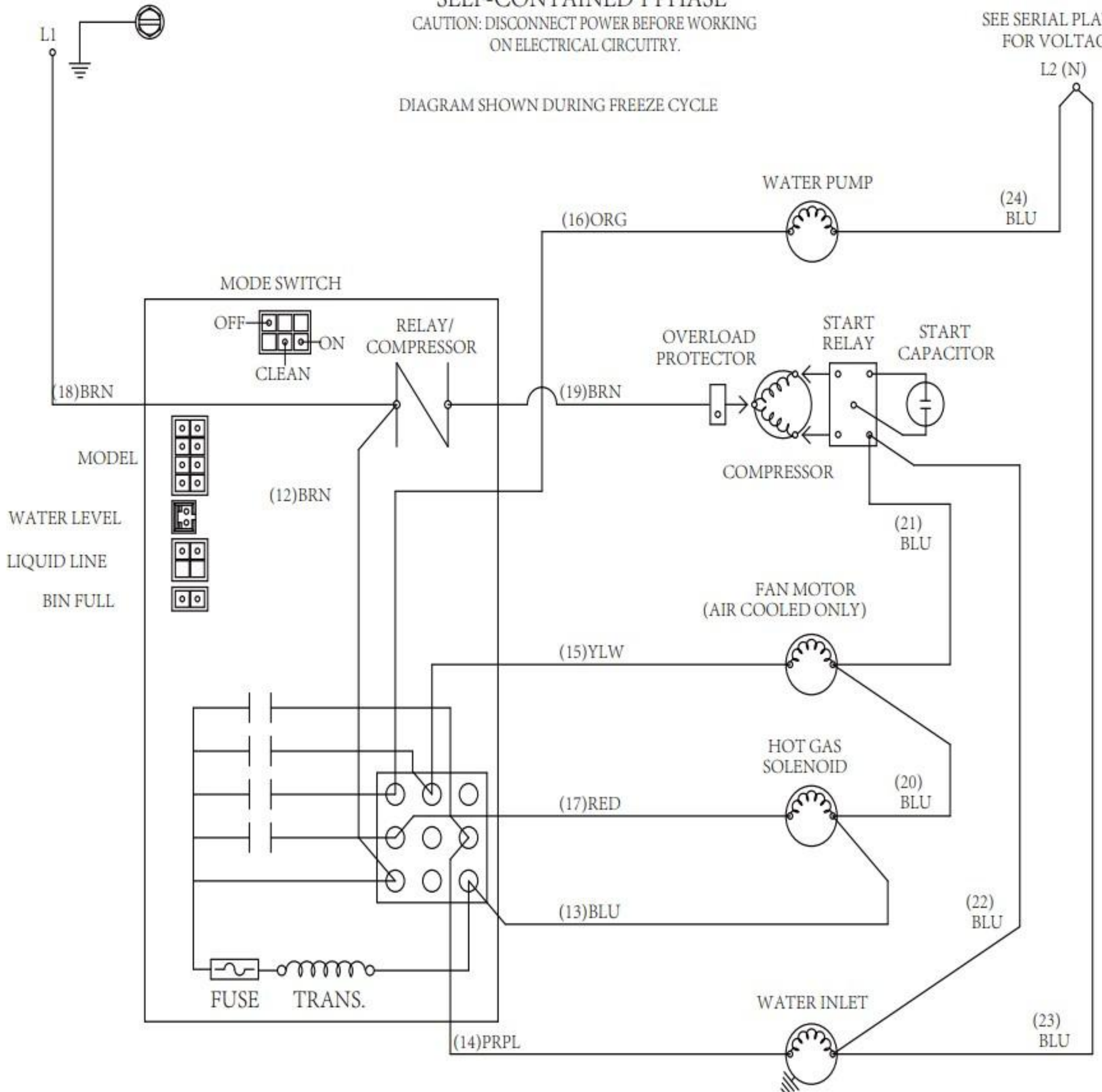
UG30/40/50/65 SERIES MACHINES - WIRING DIAGRAM

SELF-CONTAINED 1 PHASE

CAUTION: DISCONNECT POWER BEFORE WORKING ON ELECTRICAL CIRCUITRY.

SEE SERIAL PLATE FOR VOLTAGE

DIAGRAM SHOWN DURING FREEZE CYCLE



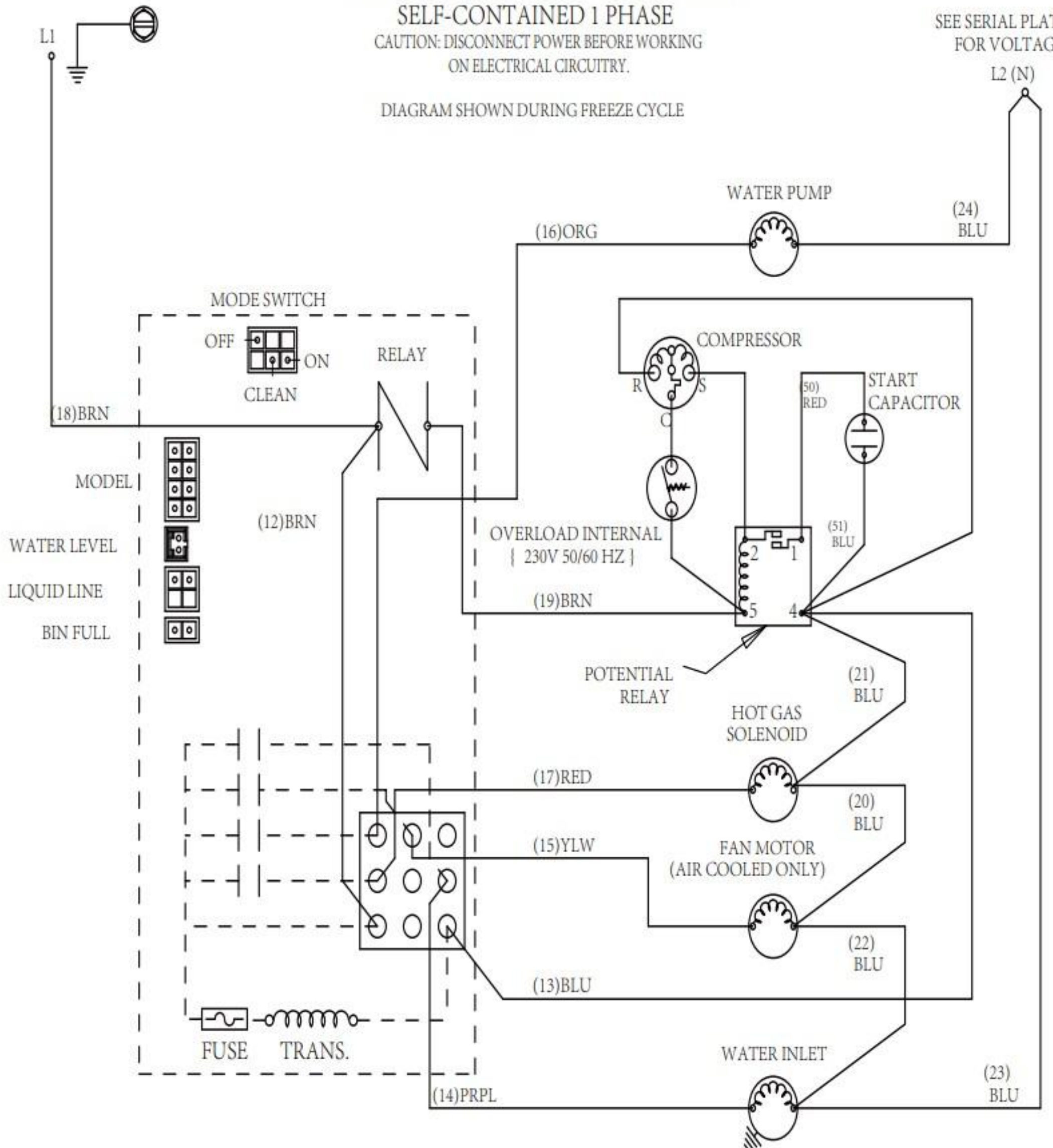
UG80 MACHINES - WIRING DIAGRAM

SELF-CONTAINED 1 PHASE

CAUTION: DISCONNECT POWER BEFORE WORKING
ON ELECTRICAL CIRCUITRY.

DIAGRAM SHOWN DURING FREEZE CYCLE

SEE SERIAL PLATE
FOR VOLTAGE



UG30/50W SERIES MACHINES - WIRING DIAGRAM

SELF-CONTAINED 1 PHASE

CAUTION: DISCONNECT POWER BEFORE WORKING ON ELECTRICAL CIRCUITRY.

SEE SERIAL PLATE FOR VOLTAGE

DIAGRAM SHOWN DURING FREEZE CYCLE

