



Ice Machine Parts List for Series TRI-L Models

TRI-LIMINATOR

TRI L15

TRI L5

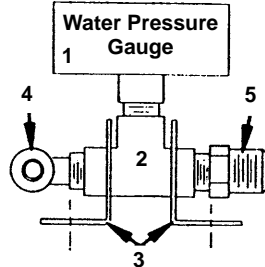
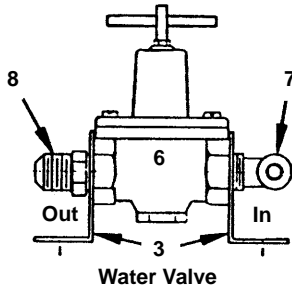
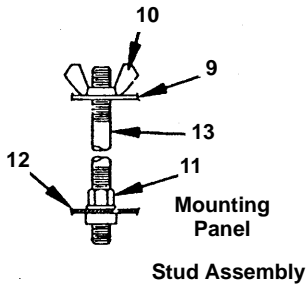
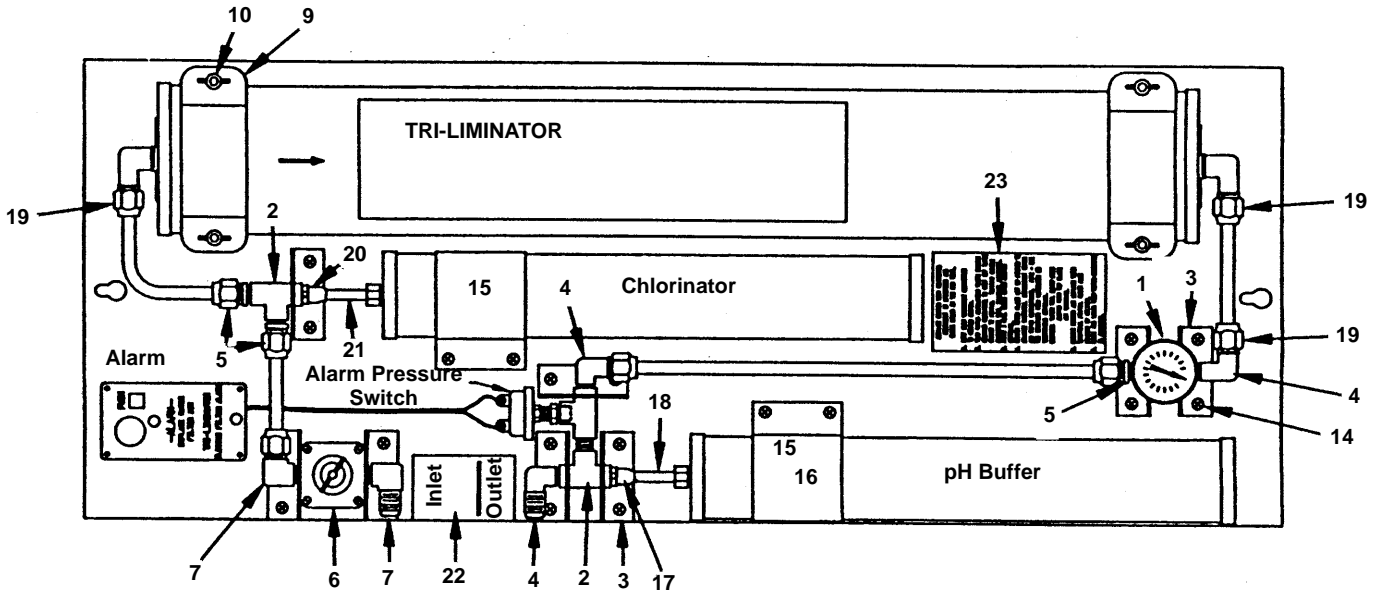
TRI L20

TRI L10

TRI L25

Manufactured 1984 through 1988

TRI-LIMINATOR

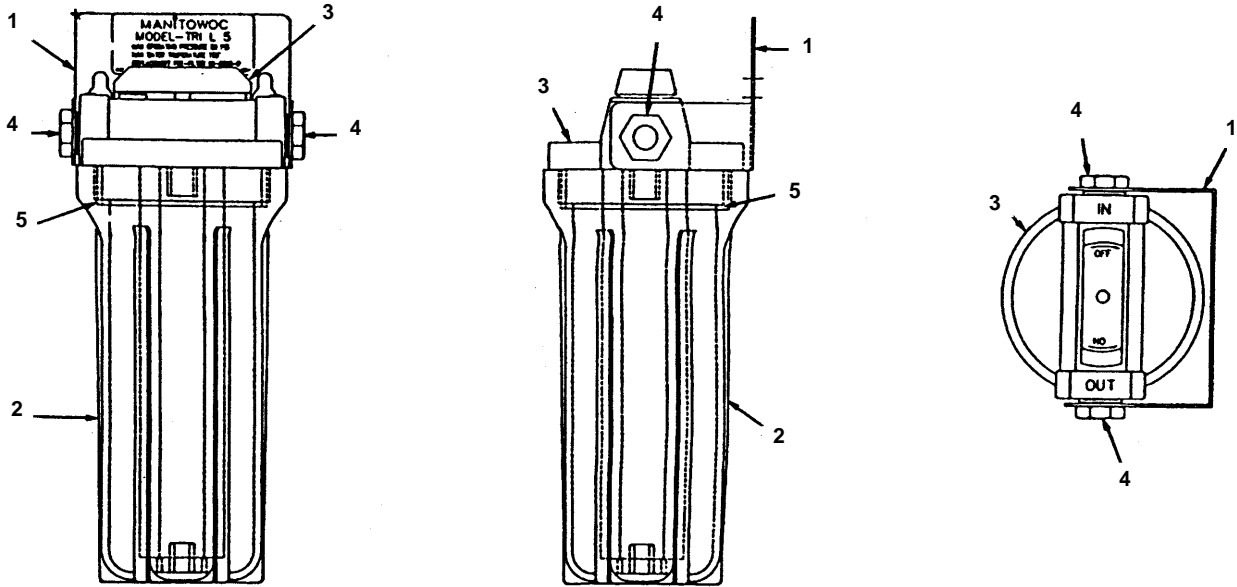


4001

DESCRIPTION	PART NO.	DESCRIPTION	PART NO.
1 Water Pressure Gauge	No Longer Available	13 Stud 5"	No Longer Available
2 Tee 1/4 NPT	No Longer Available	14 Screw #8 – 1/2 SMS (Pkg. of 10)	† 5121539
3 Mounting Bracket	No Longer Available	15 Low pH Buffer or Chlorinator Mounting Clamp	No Longer Available
4 Elbow 1/4 NPT x 3/8 Flare	No Longer Available	16 High pH Buffer Mounting Clamp	No Longer Available
5 Half Union Coupling 1/4 NPT x 3/8 Flare	No Longer Available	17 Plastic Tube Connector 3/8" OD	8361303
6 Water Regulating Valve	No Longer Available	18 Plastic Tubing 3/8" OD	No Longer Available
7 Elbow 3/8 NPT x 3/8 Flare	No Longer Available	19 Flare Nut 3/8" (8 used)	† 1330149
8 Half Union Coupling 3/8 NPT x 3/8 Flare	8332023	20 Plastic Tube Connector 1/4" OD	No Longer Available
9 Filter Clamp	No Longer Available	21 Plastic Tubing 1/4" OD	4420291
10 Wing Nut – 1/4-20	No Longer Available	22 Label – Inlet/Outlet	No Longer Available
11 Hex Nut – 1/4-20	† 5429529	23 Label – Filter Panel	No Longer Available
12 Flatwasher 1/4	† 5573049		

† Refer to Cross Reference Guide

TRI L5

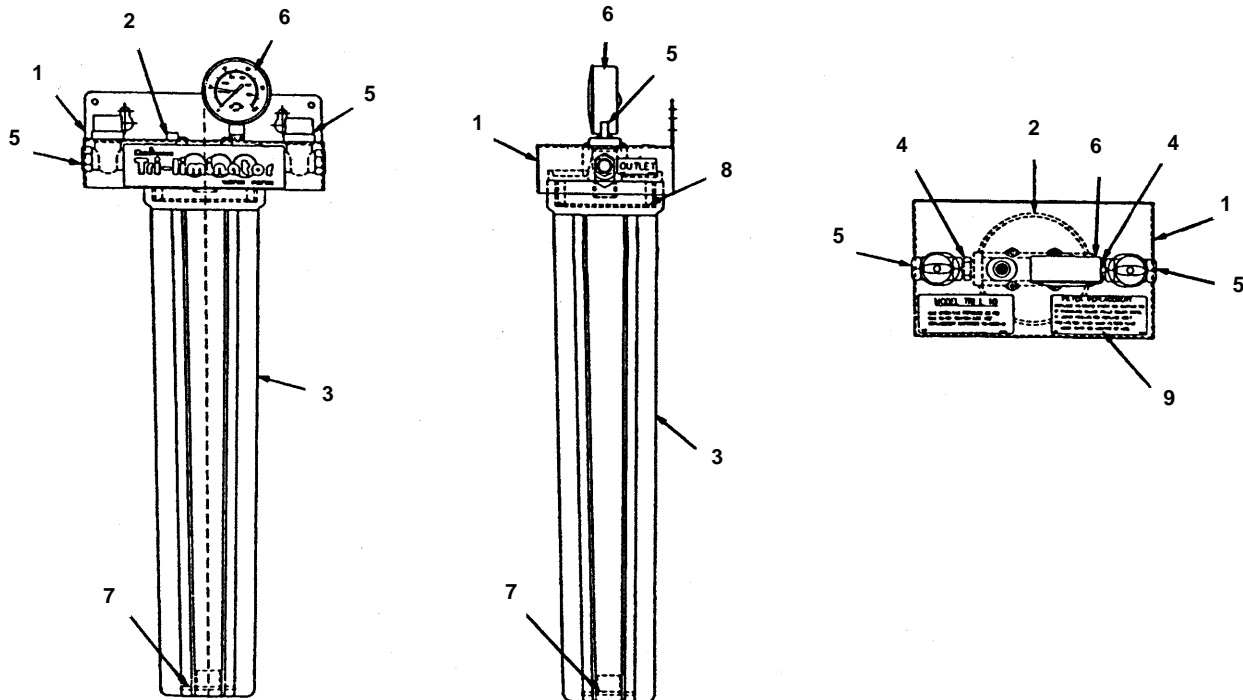


4002

DESCRIPTION

	PART NO.
1 Filter Mounting Bracket	No Longer Available
2 Filter Housing	No Longer Available
3 Housing Cap	1260303
4 Bushing 0.75 x 0.38 NPT (Brass)	8360453
5 "O" Ring - 3.859 ID	No Longer Available
6 Spanner Wrench For Ease In Removing Housing	1260313

TRI L10



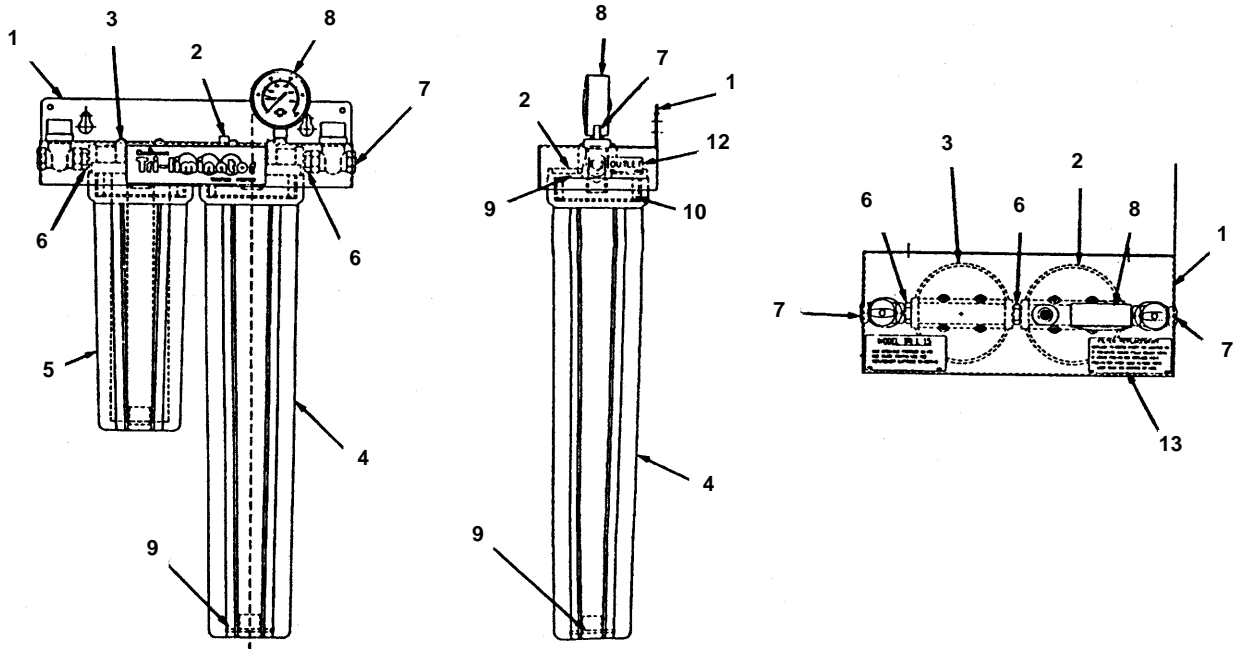
4003

DESCRIPTION

	PART NO.
1 Filter Mounting Bracket (Fawn)	No Longer Available
1 Filter Mounting Bracket (White)	3406793
2 Housing Cap w/Pressure Release And Gauge Tap	1260203
3 Filter Housing – Standard	1260223
4 Hex Nipple	† 8360463
5 Water Valve (Brass)	8372113
5 Water Valve (Plastic)	8372143
6 Pressure Gauge	No Longer Available
7 Rubber Seal 0.156 x 2.062	No Longer Available
8 "O" Ring – 3.359 ID	3718183
9 Label – Filter Replacement	8132823
10 Label – Dates, Record Installation	8132853
11 Label – Filter Replace Dates	8132863
12 Spanner Wrench For Ease In Removing Housing	1260333

† Refer to Cross Reference Guide

TRI L15



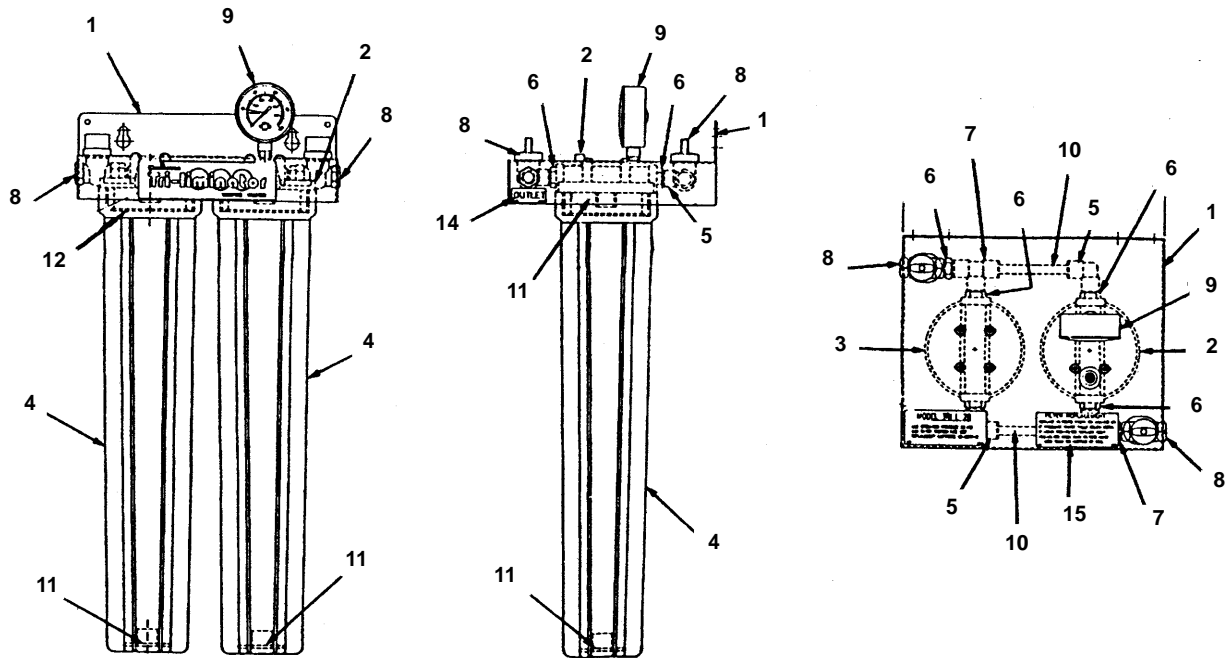
4004

DESCRIPTION

		PART NO.
1	Filter Mounting Bracket (Fawn)	No Longer Available
1	Filter Mounting Bracket (White)	3406803
2	Housing Cap w/Pressure Release and Gauge Tap	1260203
3	Housing Cap – Standard	1260193
4	Filter Housing – Standard.	1260223
5	Filter Housing – Prefilter.	1260233
6	Hex Nipple	† 8360463
7	Water Valve (Brass)	8372113
7	Water Valve (Plastic)	8372143
8	Pressure Gauge	No Longer Available
9	Rubber Seal 0.156 x 2.062 OD	No Longer Available
10	“O” Ring – 3.359 ID.	3718183
11	Label – Inlet	No Longer Available
12	Label – Outlet.	No Longer Available
13	Label – Filter Replace	8132823
14	Label – Dates, Record Installation	8132853
15	Label – Filter Replace Dates	8132863
16	Spanner Wrench For Ease In Removing Housing	1260333

† Refer to Cross Reference Guide

TRI L20



4005

DESCRIPTION

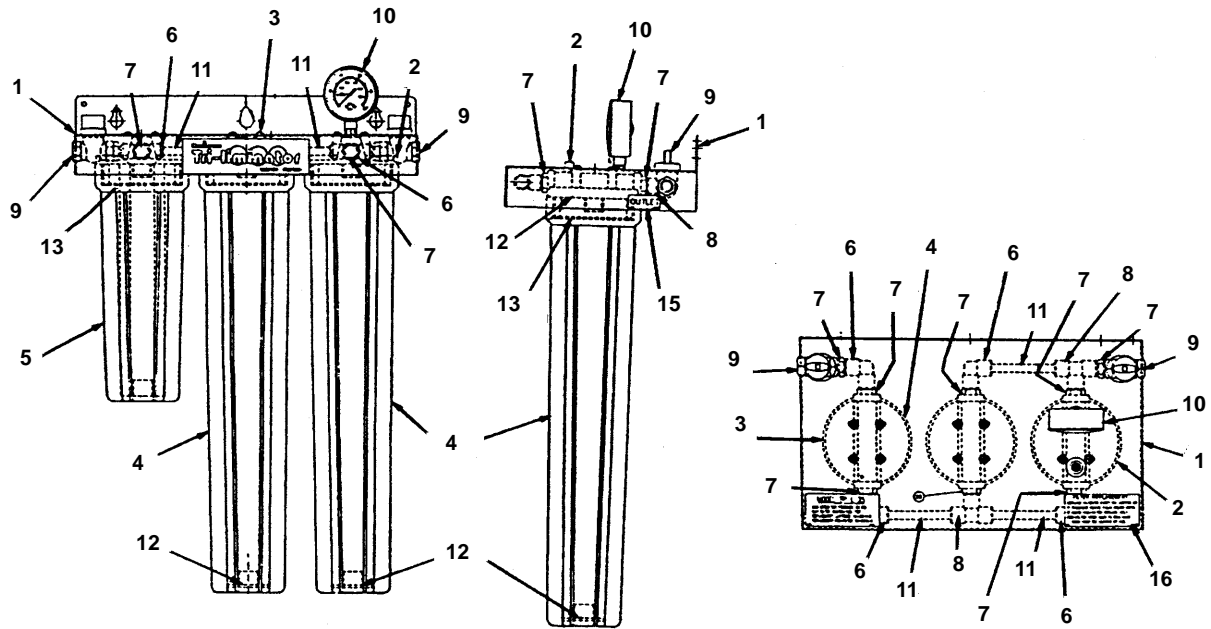
	PART NO.
1 Filter Mounting Bracket (Fawn)	No Longer Available
1 Filter Mounting Bracket (White)	3406813
2 Housing Cap w/Pressure Release and Gauge Tap	1260203
3 Housing Cap – Standard	1260193
4 Filter Housing	1260223
5 Union Elbow	8361313
6 Stem Adaptor	8361323
7 Union Tee	No Longer Available
8 Water Valve (Brass)	8372113
8 Water Valve (Plastic)	No Longer Available
9 Pressure Gauge	No Longer Available
10 Tubing – 3/8 OD	No Longer Available
11 Rubber Seal 0.156 x 2.062 OD	No Longer Available
12 “O” Ring – 3.359 ID x 0.139 Cross Section	3718183
13 Label – Inlet	No Longer Available
14 Label – Outlet	No Longer Available
15 Label – Filter Replace	8132823
16 Label – Dates, Record Installation	8132853
17 Label – Filter Replace Dates	8132863
18 Spanner Wrench For Ease In Removing Housings	1260333

NOTE:

One item 5 and one item 6 can be ordered as assembly 7627773.

Two item 6 and one item 7 can be ordered as assembly 7627793.

TRI L25



4006

DESCRIPTION

DESCRIPTION	PART NO.
1 Filter Mounting Bracket (Fawn)	No Longer Available
2 Filter Mounting Bracket (White)	No Longer Available
3 Housing Cap w/Pressure Release and Gauge Tap	1260203
4 Housing Cap – Standard	1260193
5 Filter Housing – Standard	1260223
6 Filter Housing – Prefilter	1260233
7 Union Elbow	8361313
8 Stem Adaptor	8361323
9 Union Tee	No Longer Available
10 Water Valve (Brass)	8372113
10 Water Valve (Plastic)	No Longer Available
11 Pressure Gauge	No Longer Available
12 Tubing – 3/8 OD	No Longer Available
13 Rubber Seal 0.156 x 2.062 OD	No Longer Available
14 “O” Ring – 3.359 ID x 0.139	3718183
15 Label – Inlet	No Longer Available
16 Label – Outlet	No Longer Available
17 Label – Filter Replace	8132823
18 Label – Dates, Record	8132853
19 Label – Record Filter Replace	8132863
20 Spanner Wrench For Ease In Removing Housings	1260333

NOTE:

One item 6 and one item 7 can be ordered as assembly 7627773.
 Two item 7 and one item 8 can be ordered as assembly 7627793.
 One item 7 and one item 8 can be ordered as assembly 7627803.

INTENTIONALLY LEFT BLANK