



Manitowoc
Foodservice
Parts Manual

For more Parts Information:

<https://manitowocfsg.sysonline.com/Default.aspx>

TABLE OF CONTENTS

Manitowoc Foodservice [Updated: Sep. 30, 2013]

Manitowoc - Ice & Related

Parts Catalog

Ice Machine

RFS Series

RFS Model - Air & Water

RFS0300

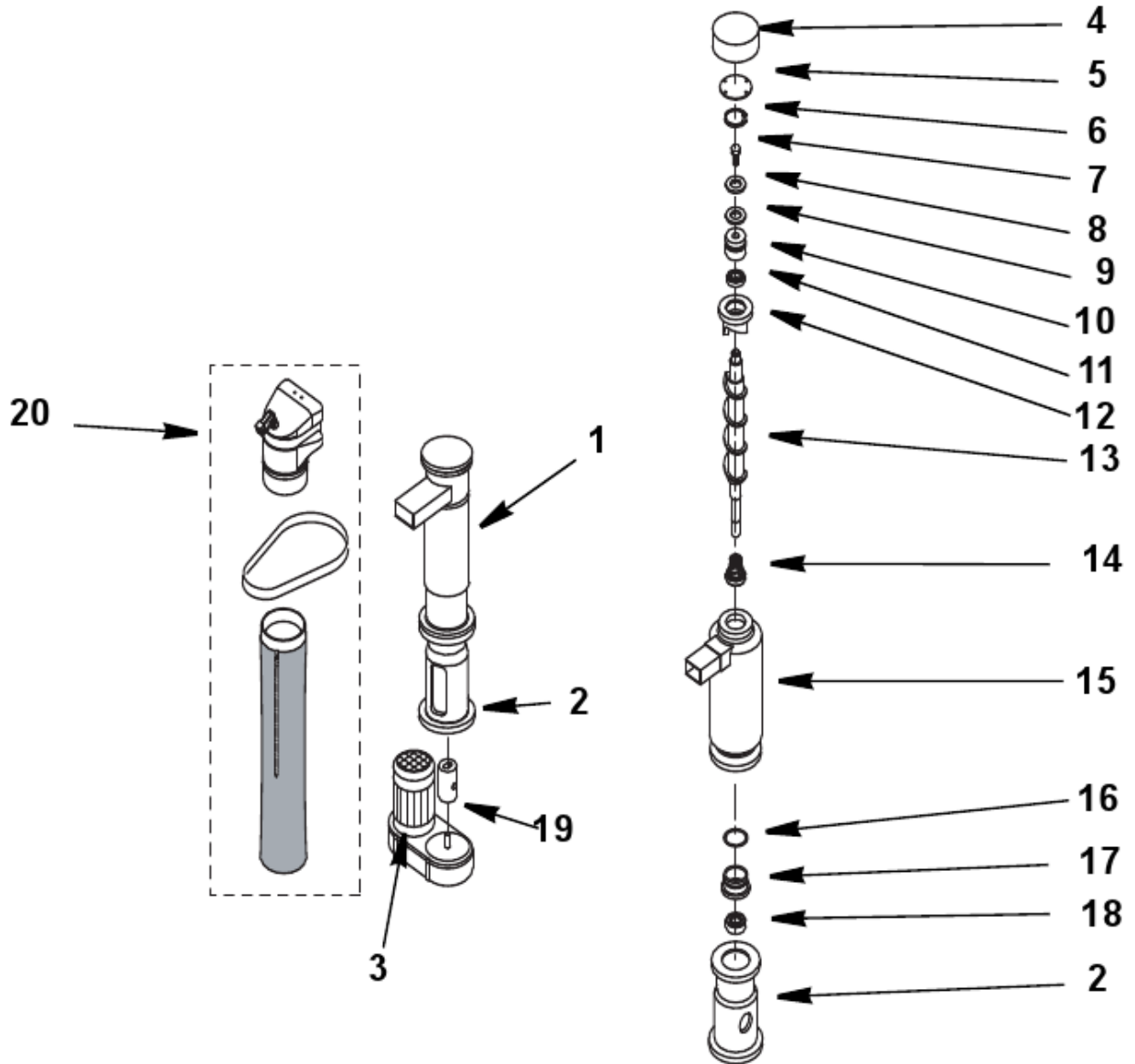
RFS0300 Evaporator Assembly 1

RFS0300 Evaporator Compartment 3

RFS0300 Panels 6

RFS0300

RFS0300 EVAPORATOR ASSEMBLY



RFS0300

RFS0300 EVAPORATOR ASSEMBLY

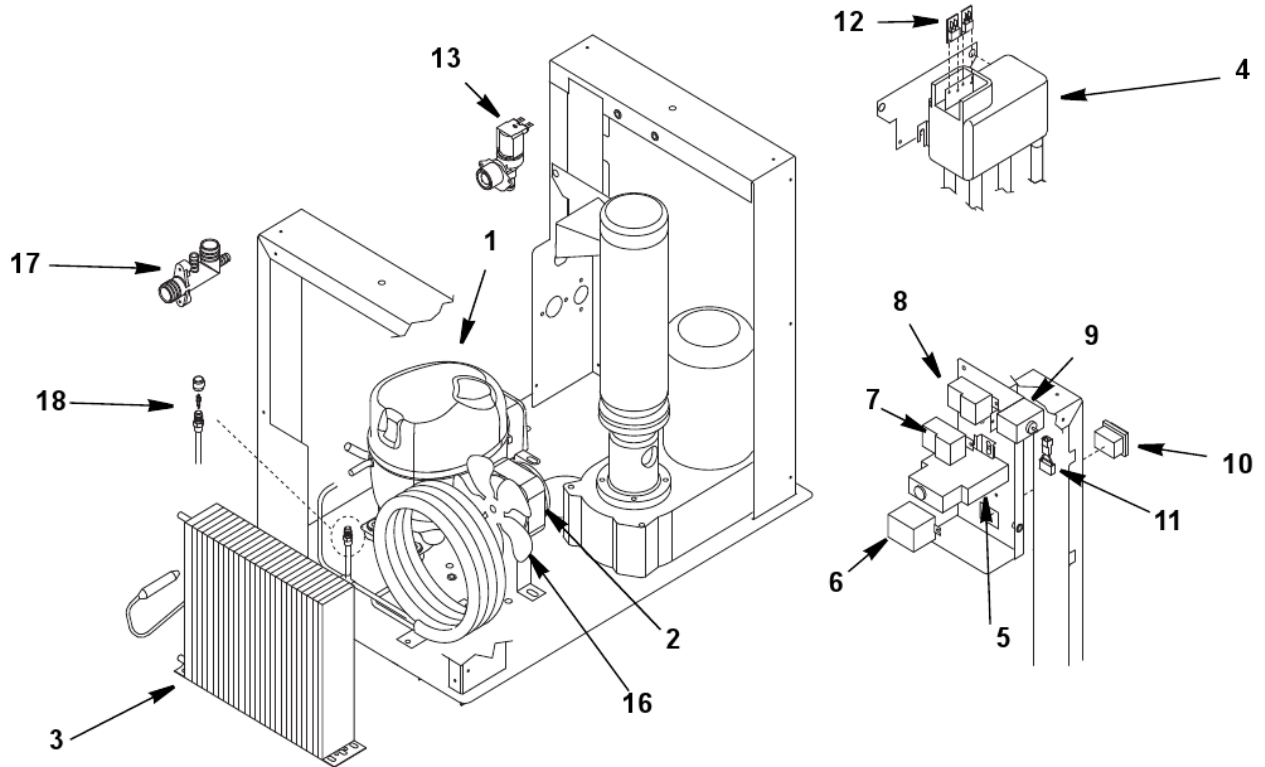
| # | PART # | DESCRIPTION | QTY | Note |
|----|-----------|---|-----|------|
| 1 | 000005685 | Evaporator Assembly | | |
| 2 | 000005693 | Evaporator Foundation | | |
| 2a | 000012459 | Bolt - Evaporator Foundation - M6 x 25mm | | |
| 3 | | Gear Motor Assembly | | |
| 3a | 000011126 | Gearmotor Assembly - 115V/60 Hz/1 Ph | | |
| 3b | 000011800 | Gearmotor Assembly - 208-230V/50-60 Hz/1 Ph | | |
| 4 | 000005734 | Insulating Cap | | |
| 5 | 000005608 | Bearing Cap | | |
| 6 | 000005757 | Snap Ring | | |
| 7 | 000005599 | Auger Bolt | | |
| 8 | 000005609 | Bearing Shim | | |
| 9 | 000005650 | Self Lubricating Disc | | |
| 10 | 000005607 | Upper Bearing | | |
| 11 | 000005735 | Upper O-ring | | |
| 12 | 000005647 | Cutter Head | | |
| 13 | 000005598 | Auger | | |
| 14 | 000005778 | Water Seal | | |
| 15 | 000005681 | Evaporator | | |
| 16 | 000005583 | O-ring Gasket | | |
| 17 | 000005782 | Water Seal Retainer | | |
| 18 | 000005605 | Lower Bearing | | |
| 19 | 000005642 | Coupling | | |
| 20 | 000011625 | Ice Chute with Bulb Holder and Bin Thermostat | | |
| 20 | 000011621 | Ice Chute with Bulb Holder | | |
| 20 | 000007906 | Ice Exhaust with Microswitch | | |
| 20 | 000011623 | Bin Thermostat | | [1] |
| 20 | 000007910 | Cross Bar | | |
| 20 | 000007907 | Locking Strip | | |
| 20 | 000007908 | Bulb Holder | | [2] |
| 20 | 000007911 | Ice Chute Assembly | | [2] |
| 20 | 000007909 | Ice Outlet Pipe Assembly | | [2] |

PART NOTES:

- [1] - Before Serial Number M05994822012 must order 000011625 (bin thermostat AND ice chute with bulb holder).
- [2] - Discontinued

RFS0300

RFS0300 EVAPORATOR COMPARTMENT



RFS0300

RFS0300 EVAPORATOR COMPARTMENT

| # | PART # | DESCRIPTION | QTY | Note |
|-----|-----------|--|-----|------|
| 1 | | Compressor | | |
| 1a | 00008833 | Compressor - 115V/60 Hz/1 Ph | | |
| 1b | 00005627 | Compressor - 208-230V/50-60 Hz/1 Ph | | |
| 1c | 000010803 | Overload - 115V/60 Hz/1 Ph | | |
| 2 | | Condenser Fan Motor | | |
| 2a | 00008835 | Condenser Fan Motor - 115V/60 Hz/1 Ph | | |
| 2b | 00009256 | Condenser Fan Motor - 208-230V/50-60 Hz/1 Ph | | |
| 3 | 00005632 | Air Condenser | | |
| 4 | 000012451 | Water Reservoir Assembly | | [1] |
| 5 | 000012012 | Electronic Compressor Delay Timer | | |
| 6 | | Compressor Relay | | |
| 6a | 00005746 | Compressor Delay Relay - 115V/60 Hz/1 Ph | | |
| 6b | 00005745 | Compressor Delay Relay - 230V/50-60 Hz/1 Ph | | |
| 7 | 00005768 | Evaporator Safety Thermostat | | |
| 8 | 00005765 | Bin Thermostat | | [2] |
| 9 | | Fan Cycle Control | | |
| 9a | 00006060 | Fan Cycle Control - 115-230V/50-60 Hz/1 Ph | | |
| 9b | 00006191 | Fan Cycle Control - 208-230V/50-60 Hz/1 Ph | | |
| 10 | 00005763 | ON/OFF Rocker Switch | | |
| 11 | | Electronic Noise Reducer | | [3] |
| 11a | 00005680 | Electronic Noise Reducer | | [4] |
| 11b | 00005678 | Electronic Noise Reducer | | [5] |
| 12 | 00005760 | Float Microswitch (each) | | |
| 13 | | Water Inlet Valve | | |
| 13a | 00006063 | Water Inlet Valve - 115V/60 Hz/1 Ph | | |
| 13b | 00005770 | Water Inlet Valve - 220-230V/50-60 Hz/1 Ph | | |
| 14 | 00005676 | Drier | | |
| 15 | 00008838 | Expansion Valve | | |
| 16 | 00005686 | Condenser Fan Blade | | |
| 17 | | Drain Manifold | | |
| 17a | 00006162 | Drain Manifold - 115V/60 Hz/1 Ph | | |
| 17b | 00005673 | Drain Manifold - 230V/50 Hz/1 Ph | | |
| 18 | | Access Valve | | |
| 18a | 00006408 | Fitting - Access Valve | | |
| 18b | 00006409 | Core - Access Valve | | |
| 18c | 00006410 | Cap - Access Valve | | |
| 19 | | Screws | | |
| 19a | 00009040 | Screw - M5 x 10TC | | [6] |
| 19b | 00009041 | Screw - 3.9 x 13TC | | [6] |
| 20 | | Backflow Preventer | | |
| 20a | 00009971 | Backflow Preventer 60 Hz - 3/8" | | |
| 20b | 00009972 | Backflow Preventer 50 Hz - 3/4" | | |

RFS0300

RFS0300 EVAPORATOR COMPARTMENT

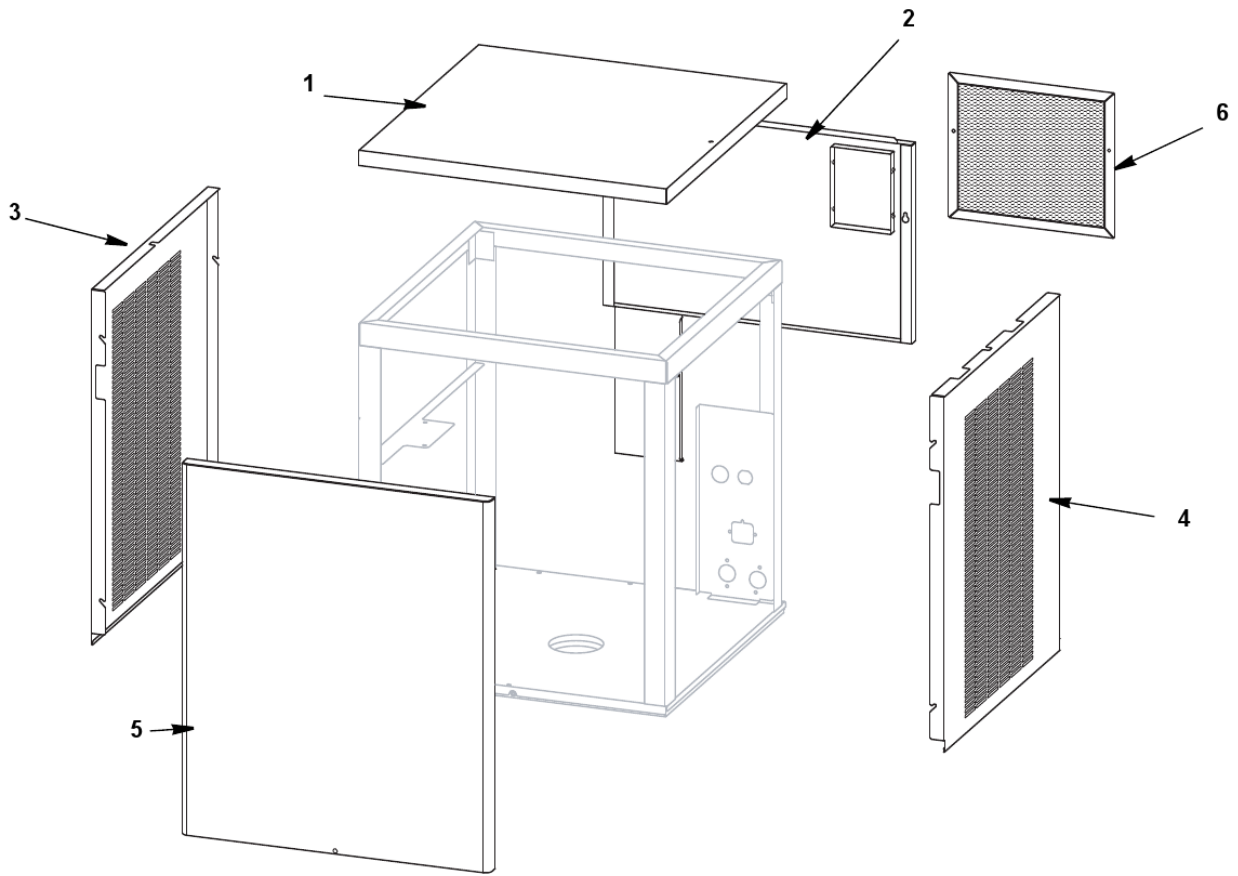
| # | PART # | DESCRIPTION | QTY | Note |
|---|--------|-------------|-----|------|
|---|--------|-------------|-----|------|

PART NOTES:

- [1] - Includes Reservoir, Hoses, Clamps, Drain Tap & Two Microswitches
- [2] - Discontinued
- [3] - Radio Interference Filter
- [4] - 230V/60 Hz
- [5] - 230V/50 Hz
- [6] - No Longer Available

RFS0300

RFS0300 PANELS



RFS0300

RFS0300 PANELS

| # | PART # | DESCRIPTION | QTY | Note |
|----|-----------|---|-----|------|
| 1 | 000008759 | Top Panel | | |
| 2 | | Back Panel | | |
| | | 60 Hz | | |
| 2a | 000008836 | Back Panel - Air-cooled or Water-cooled | | |
| | | 50 Hz | | |
| 2b | 000009255 | Back Panel - Air-cooled | | |
| 2c | 000009104 | Back Panel - Water-cooled | | |
| 3 | 000008768 | Left Side Panel | | |
| 4 | 000008757 | Right Side Panel | | |
| 5 | 000008755 | Front Panel Assembly | | |
| 6 | 000008837 | Air Filter | | |
| 7 | 000011923 | Cartoning | | |