



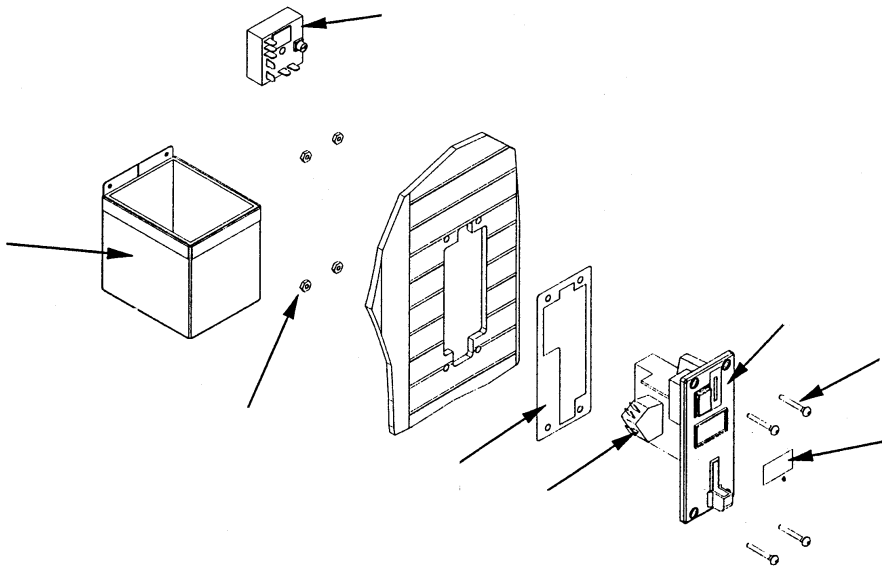
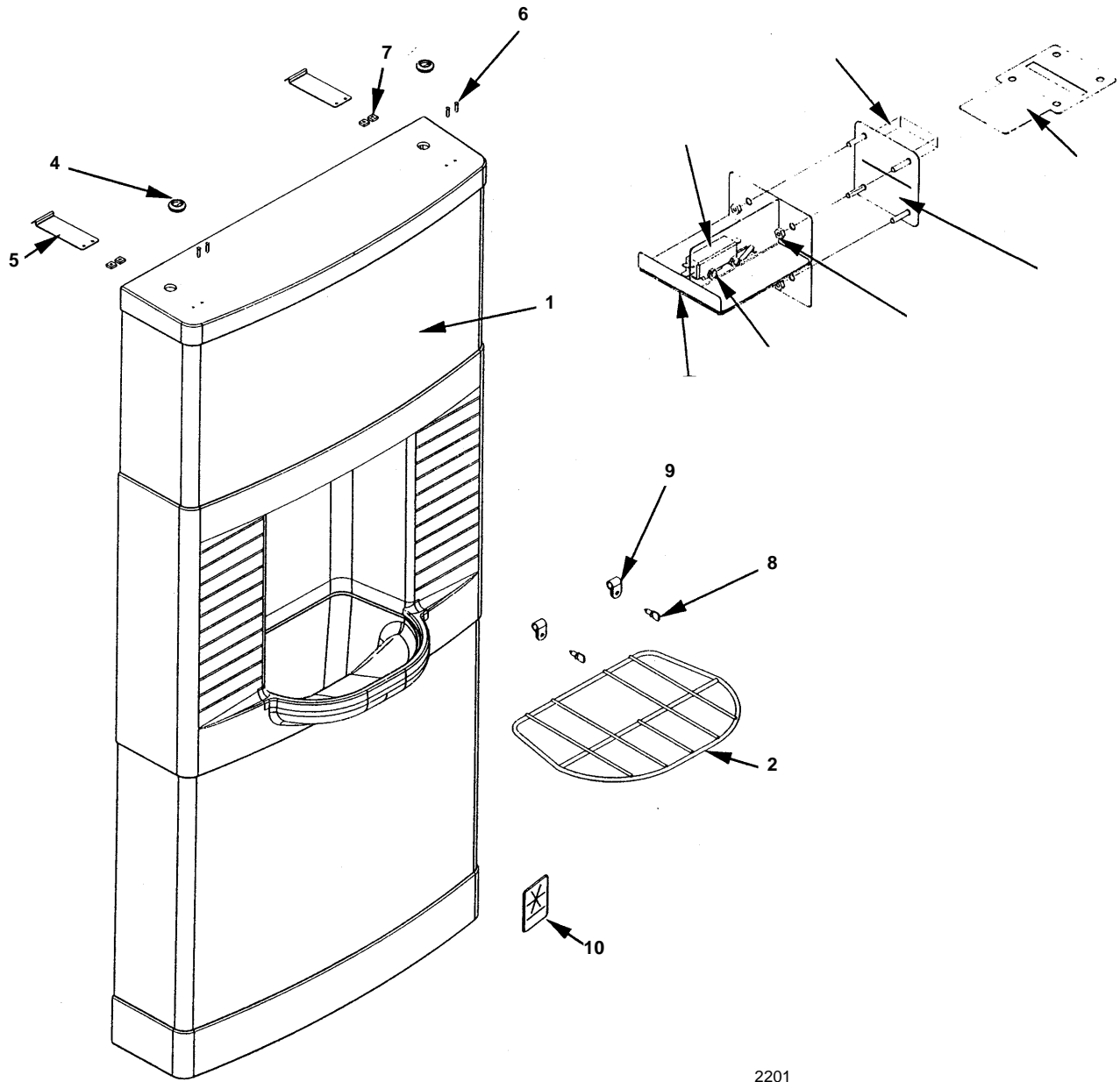
## **Ice Machine Parts List for Series Q 22" Dispensers Models**

**QPA160**

**QRA164**

**QCA163**

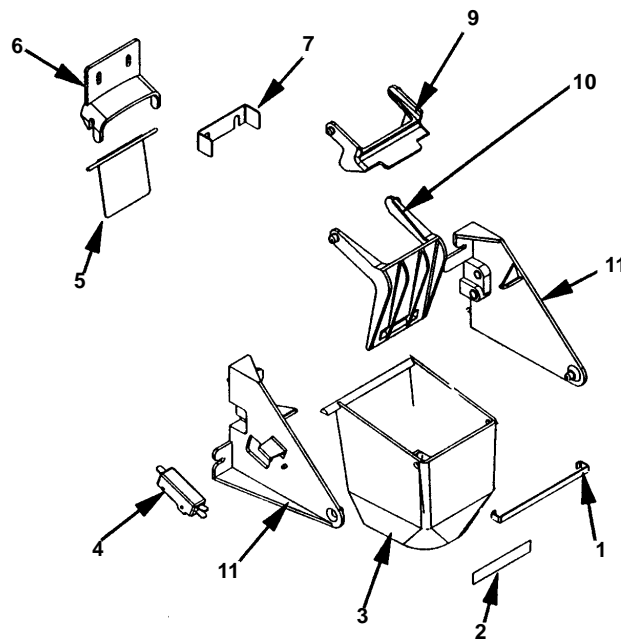
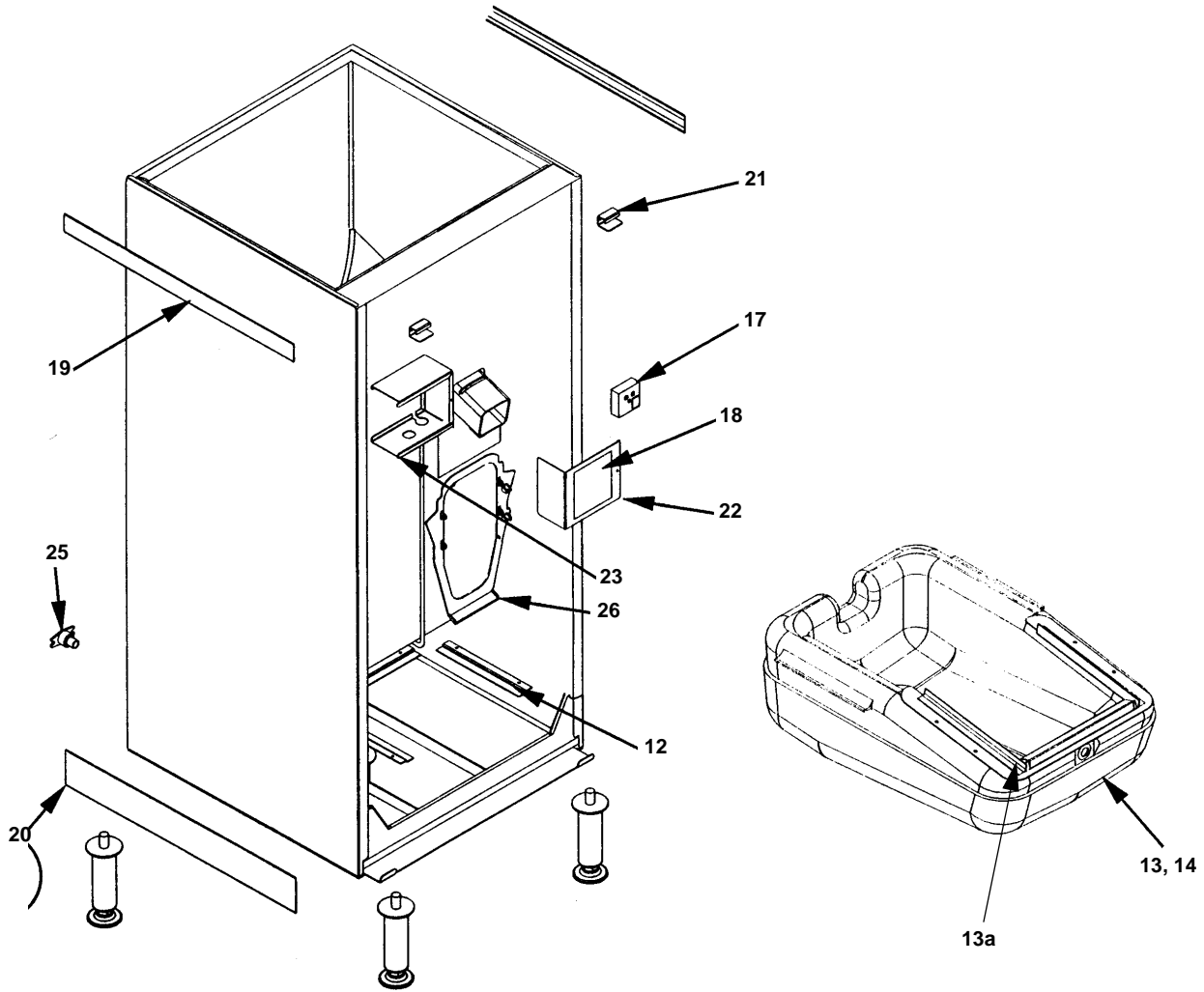
# QPA160, QRA164, QCA163 DOOR ASSEMBLY



**QPA160, QRA164, QCA163 DOOR ASSEMBLY, CONTINUED**

DESCRIPTION	PART NO.	
	New Part	Old Part
<b>1 Main Door Assembly</b>		
a. QPA160 Rocking Chute . . . . .	No Longer Available	9750473
b. QCA163 Coin Chute . . . . .	5008655	9750983
c. QRA164 Room Card. . . . .	5008530	No Longer Available
<b>2 Wire Grill . . . . .</b>	5008130	9750483
<b>3 Water Fill Valve . . . . .</b>	202FNSLBB	9750103
a. Bracket Water Fill Valve . . . . .	5012105	9750943
<b>Miscellaneous – Brackets, Screws, etc.</b>		
<b>4 Grommet 5/8" Top Mount . . . . .</b>	5008096	9750033
<b>5 Latch Top Mount. . . . .</b>	5008068	9750053
<b>6 Stud #6-32 x 5/16" Pin FHS . . . . .</b>	5008634	No Longer Available
<b>7 Nut #6-32 Hex SS . . . . .</b>	0902101	9750073
<b>8 Thumbscrew. . . . .</b>	5008075	9750083
<b>9 Clamp 3/16" Grid Black . . . . .</b>	5007667	9750093
<b>10 Label Manitowoc Logo . . . . .</b>	same	8135773
<b>11 Carton Assembly (without pallet) . . . . .</b>	5008131	9750643
a. Carton Pallet . . . . .	5008132	
<b>12 Door Lock. . . . .</b>		No Longer Available
<b>QRA164</b>		
<b>13 Plate Front . . . . .</b>	5008271	9750803
<b>14 Switch. . . . .</b>	02003076	9750813
<b>15 Bracket. . . . .</b>	5008270	9750823
<b>16 Nut 8-32 Hex SS . . . . .</b>	0902103	9750833
<b>17 Washer Star #8 SS. . . . .</b>	0901915	9750843
<b>18 Nut 6-32 x 1" SS PH RH MS . . . . .</b>	88000087	9750853
<b>19 Wiring Harness (Not shown) . . . . .</b>	5008267	9750873
<b>20 Insert Card Label . . . . .</b>	5008455	9750883
<b>21 Wiring Diagram Label (QRA164) (Not shown). . . . .</b>	5008272	9750893
<b>QCA163</b>		
<b>22 Coin Mechanism with Microswitch . . . . .</b>	5008313	9750563
<b>23 Timer, Coin Mechanism . . . . .</b>	5008325	9750573
<b>24 Bolt Carriage 8-32 x 1" Black. . . . .</b>	5008370	9750783
<b>25 Coin Mechanism Label. . . . .</b>	5009899	9750763
<b>26 Plate. . . . .</b>	5008379	9750773
<b>27 Nut Kept 42 . . . . .</b>	00201803	9750743
<b>28 Coin Box. . . . .</b>		No Longer Available

# QPA160, QRA164, QCA163 CABINET ASSEMBLY



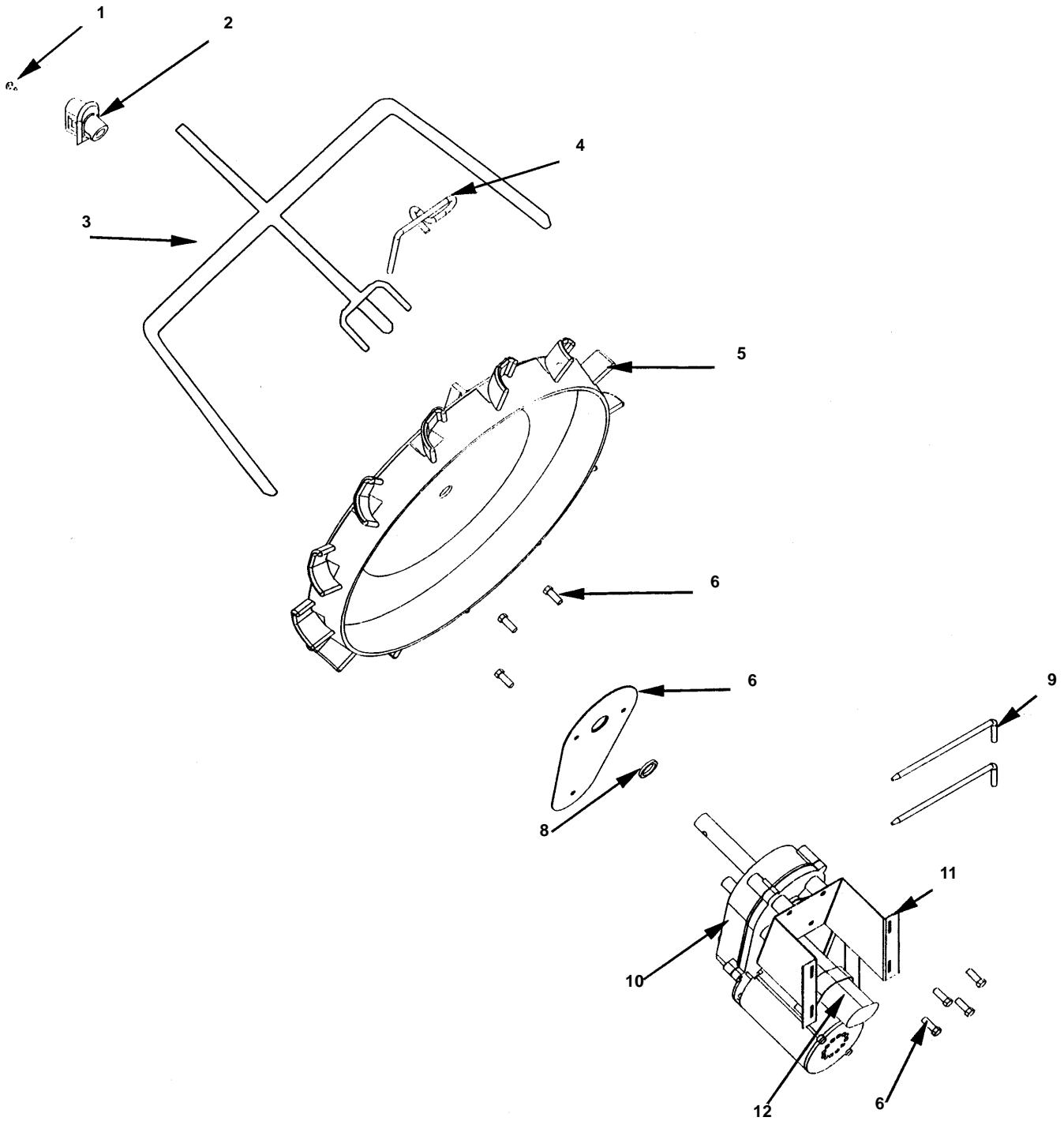
2203

**QPA160, QRA164, QCA163 CABINET ASSEMBLY, CONTINUED**

DESCRIPTION		PART NO.
	New Part	Old Part
<b>Rocking Chute Assembly</b>		
1 Bracket Rocking Chute Outer . . . . .	5031384	9750113
2 Label "Push For Ice". . . . .	0301298	9750123
3 Rocking Chute . . . . .	5007355	9750133
4 Microswitch . . . . .	1000703	9750153
5 Door Finger Guard . . . . .	5011788	9750163
6 Retainer Guard. . . . .	5007662	9750173
7 Door Retainer. . . . .	5008112	9750183
8 Screw #8-32 x 1/2" Knurl w/o Slot (Not shown – secures door retainer)	5000711	9750193
9 Lock Rocking Chute Door . . . . .	5002509	9750203
10 Door Rocking Chute. . . . .	5002508	9750223
11 Bracket Rocking Chute Door Kit (includes both sides) . . . . .	020002673	9750213
<b>QPA160 Drain Pan Assembly</b>		
12 Bracket Drain Pan Support . . . . .	5008820	9750233
13 Drain Pan (Replaces 2piece Drain Pan) . . . . .	5010423	9750663
a. Drain Pan Gasket . . . . .	5029365	000000560
14 Drain Pan (Replaces 1piece Drain Pan) . . . . .	5010423	9750663
15 Tubing Drain w/Insulation (Not shown) . . . . .	5008162	9750263
16 Drain Pan Strainer . . . . .	5013878	NA
<b>QPA160 Electrical</b>		
17 Timer Agitation . . . . .	same	020000222
18 Label Wiring Diagram. . . . .	same	9750493
<b>QPA160 Miscellaneous – Brackets, Screws, etc.</b>		
19 Trim Decorative Top . . . . .	5008154	9750503
20 Trim Decorative Bottom . . . . .		No Longer Available
21 Clasp Top Mount . . . . .		No Longer Available
22 Cover Box Electrical. . . . .	5008116	9750523
23 Box RC Electrical . . . . .	5008115	9750533
24 Cord Electrical (Not shown) . . . . .	5008642	9750333
25 Fitting 1/2" Brass . . . . .	same	8706083
26 Motor Pin Retaining Bracket . . . . .	5010220	† 9750659

† Refer to Cross Reference Guide

# QPA160, QRA164, QCA163 PADDLE WHEEL ASSEMBLY



**QPA160, QRA164, QCA163 PADDLE WHEEL ASSEMBLY, CONTINUED**

<b>DESCRIPTION</b>		<b>PART NO.</b>
		<b>New Part</b>
		<b>Old Part</b>
1 Screw #8 x 3/4" SS PH TR HD .....		5011940
2 Bushing Mushroom .....		0101702
3 Agitator .....		5009529
4 Pin 9.75 SS Agitator Removal .....		5010452
5 Paddle Wheel .....		2601415
6 Bolt 1/4"-20 x 5/8" SS HHCS .....		0900601
7 Motor Insulator .....		5007342
8 Seal Oil #7410 3/4" .....		Included in 9750413
9 Pin Retaining .....		4140023
10 Motor AO62		
a. 115V/60Hz .....		020003650
b. 220/240V 50-60Hz .....		5000869
11 Motor Mount .....		5001776
12 Capacitor - Von Weise Motor		
a. 115V/60Hz .....		5008877
b. 220/240V 50-60Hz .....		5008398
13 Capacitor - Bison Motor		
a. 115V/60Hz .....		020002950
b. 220/240V 50-60Hz .....		020002951

**INTENTIONALLY LEFT BLANK**