



**Ice Machine Parts List for  
Series Q Dispensers  
Models\***

**QFA291**

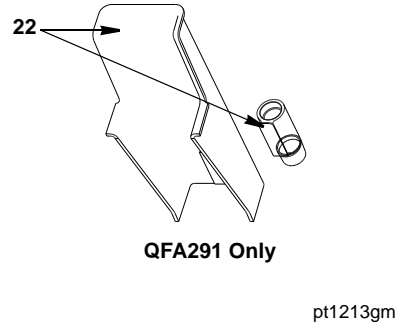
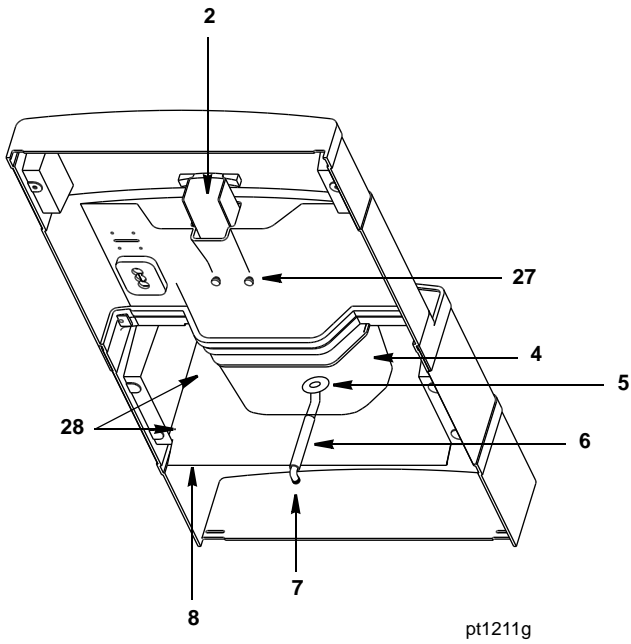
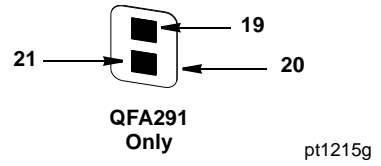
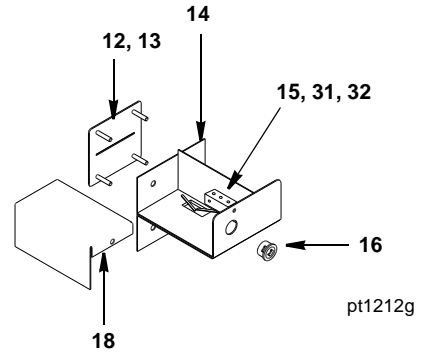
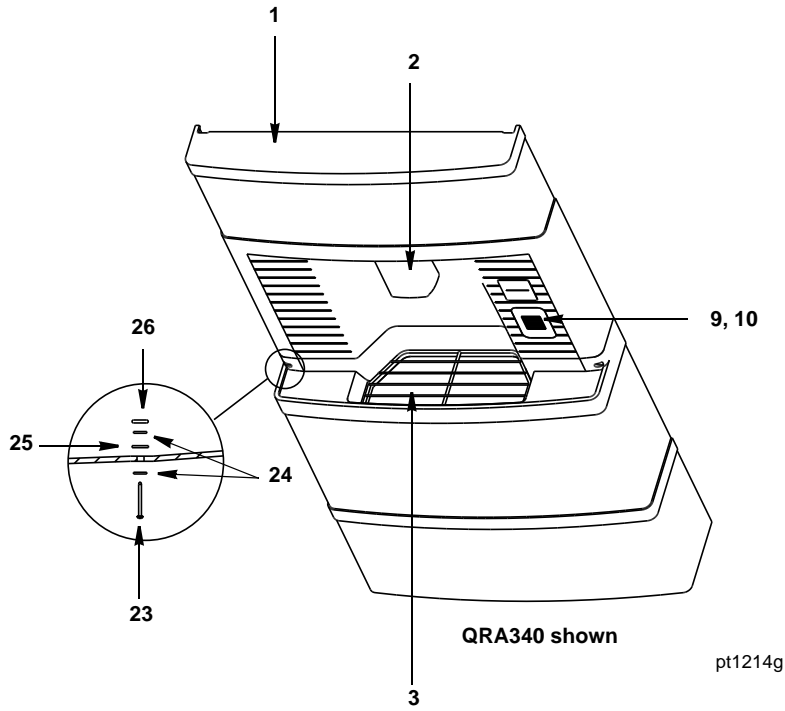
**QRA340**

**QPA310**

**QCA330**

**\*Covers serial numbers up to 980565665, 980565693 to 981062222, 981062253 to 981063559.**

# QPA310, QRA340, QFA291, QCA330 DOOR ASSEMBLY

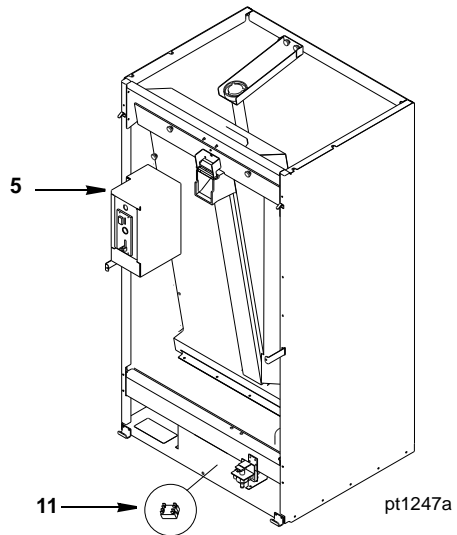
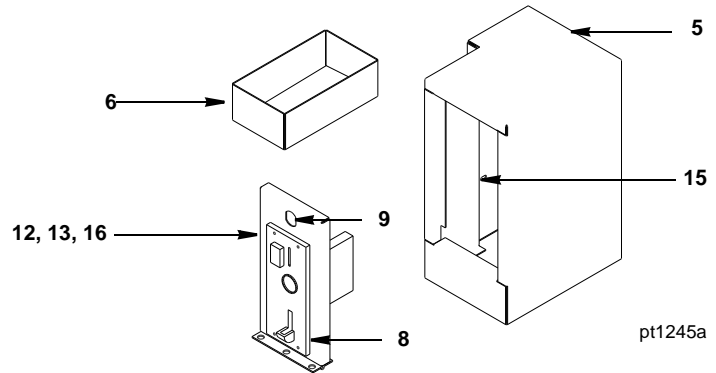
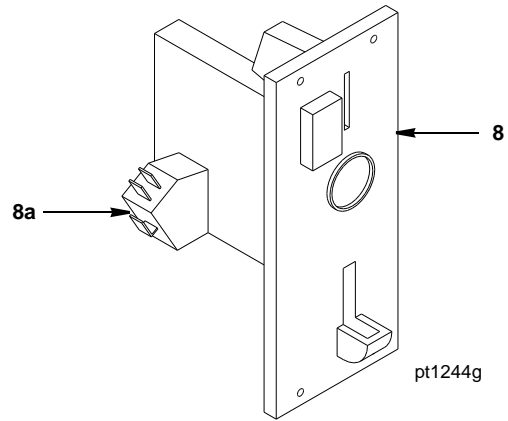
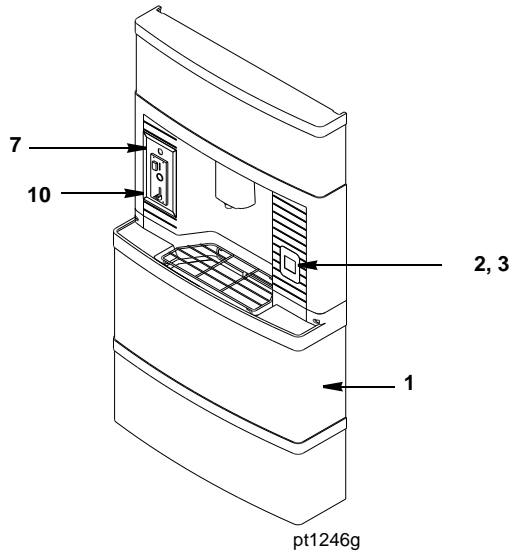


**QPA310, QRA340, QFA291, QCA330 DOOR ASSEMBLY, CONTINUED**

DESCRIPTION	PART NO.
<b>QPA310, QRA340, QFA291, QCA330</b>	
1 Main Door Assembly	
a. QPA310 Push Button . . . . .	No Longer Available
b. QRA340 Room Card . . . . .	No Longer Available
c. QFA291 Push Button Glass Fill . . . . .	No Longer Available
d. QCA330 Coin . . . . .	No Longer Available
See Pages 4 and 5 for coin mechanism parts.	
2 Ice Chute . . . . .	4303423
3 Wire Grill	
a. Glass Fill (QFA291) . . . . .	3406863
b. Clamp, Hold Down . . . . .	5650033
c. Screw for Hold Down Clamp . . . . .	† 5012349
d. Bucket Fill (QPA310, QRA340, QCA330) . . . . .	† 9750023
4 Catch Basin Assembly . . . . .	7628643
5 90 Degree Drain Fitting Assembly . . . . .	7628653
6 Vinyl Tubing 5/8" ID . . . . .	† 4420383
7 90 Degree Barbed Fitting . . . . .	8390123
8 Drip Rail . . . . .	No Longer Available
<b>QPA310, QRA340, QCA330</b>	
9 Push Button Switch Assembly "ICE" . . . . .	2301563
MicroSwitch Only . . . . .	2301573
10 Single Switch Plate . . . . .	9607093
11 Push Button Wiring Harness (Not shown) . . . . .	2032673
<b>QRA340</b>	
12 Label "Insert Room Key Card" . . . . .	No Longer Available
13 Room Card Access Plate . . . . .	No Longer Available
14 Bracket Assembly (Card/Micro Switch) . . . . .	6028861
15 Room Card Micro Switch . . . . .	6270314
16 Bushing . . . . .	2502183
17 Room Card Wiring Harness (Not shown) . . . . .	2032623
18 Cover (Card/Micro Switch) . . . . .	No Longer Available
<b>QFA291</b>	
19 Push Button Switch Assembly "Water" . . . . .	2301553
20 Push Button Switch Assembly "ICE" . . . . .	2301543
Micro-Switch Only . . . . .	2301573
21 Dual Switch Plate . . . . .	9607103
22 Inner Chute/Water Spout Assembly . . . . .	No Longer Available
a. Aerator Only . . . . .	8390173
<b>QPA310, QRA340, QFA291, Miscellaneous – Brackets, Screws, etc.</b>	
23 Screw Pan Head #8 x 1 1/4" . . . . .	† 5119029
24 Nylon Flat Washer . . . . .	† 5573389
25 Flat Washer . . . . .	† 5573049
26 O-Ring . . . . .	† 3718199
27 Knurled Thumbscrews . . . . .	† 5305049
28 Screw #10-12 x 3/4" . . . . .	† 5134729
29 Room Card Access Plate Lockwasher #8 (Not shown) . . . . .	† 5544599
30 Room Card Access Plate Hexnut #8-32 (Not shown) . . . . .	† 5429069
31 Room Card Micro-Switch Hexnut #6-32 x 5/16" . . . . .	No Longer Available
32 Room Card Micro-Switch Lockwasher #6 . . . . .	No Longer Available
33 Panel Retainer Clip Assembly (Not shown) . . . . .	7629253

† Refer to Cross Reference Guide

# QCA330 COIN MECHANISM ASSEMBLY

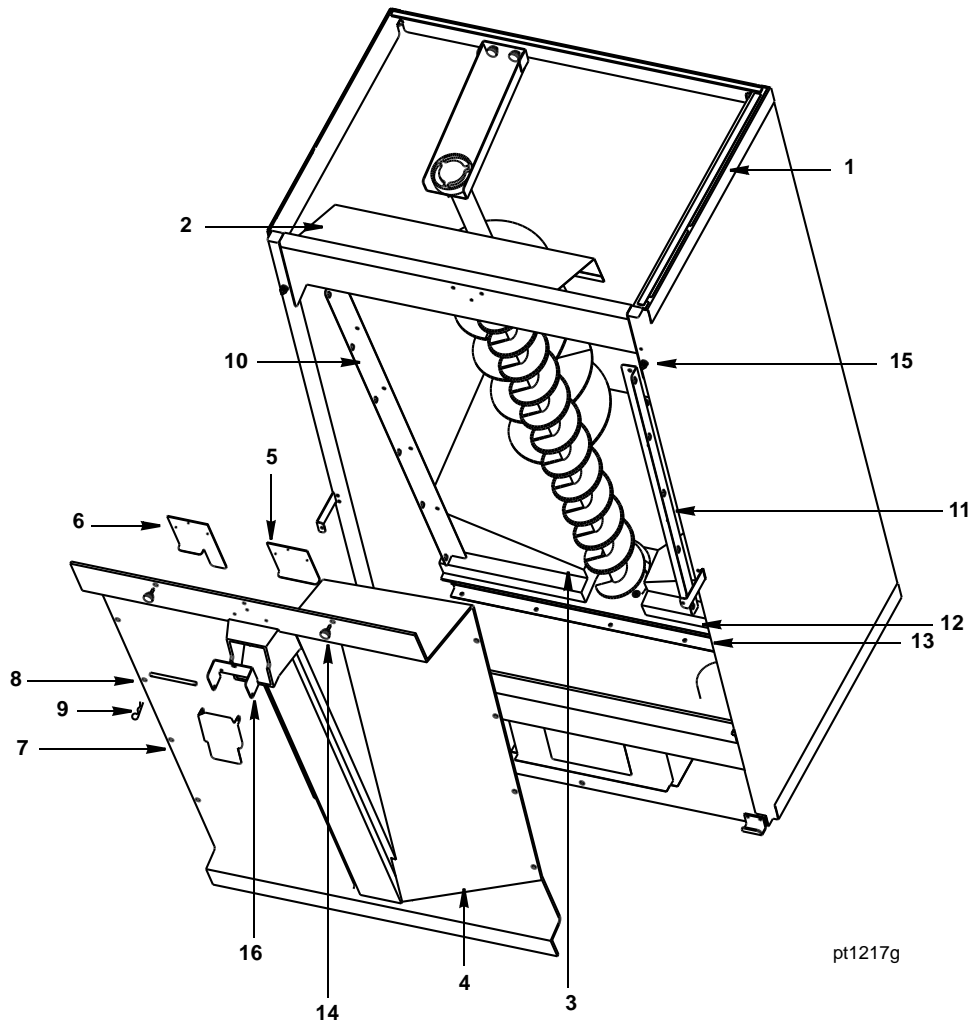


## QCA330 COIN MECHANISM ASSEMBLY, CONTINUED

DESCRIPTION		PART NO.
<b>QCA330</b>		
1 Main Door Assembly		
a. QCA330 Coin		No Longer Available
See Pages 2 and 3 for Main Door Assembly parts.		
<b>QCA330</b>		
2 Push Button Switch Assembly "ICE"		2301563
a. Micro-Switch Only		2301573
3 Single Switch Plate		9607093
4 Wiring Harness (Not shown)		2032673
5 Coin Box Assembly		No Longer Available
6 Cash Box		No Longer Available
7 Coin Door Assembly		6030501
8 Coin Mechanism		No Longer Available
a. Micro-Switch Only		No Longer Available
9 Cam Lock		3060273
a. Cam Lock Key (Not shown)		3060283
10 Coin Box Assembly Frame		6030171
11 Vend Relay		
a. Vend Relay 120V		2406483
b. Vend Relay 230V		No Longer Available
c. Vend Relay Wiring Lead (Not shown)		2032603
<b>QCA330, Miscellaneous – Brackets, Screws, etc.</b>		
12 Bolt		No Longer Available
13 Lockwasher #8		† 5544599
14 Nylon Wire Harness Clips (Not shown)		† 5650809
15 Knurled Thumbscrews #8-32		† 5305049
16 Hex-Nut #8-32		† 5429069

† Refer to Cross Reference Guide

# QPA310, QRA340, QFA291, QCA330 CABINET ASSEMBLY



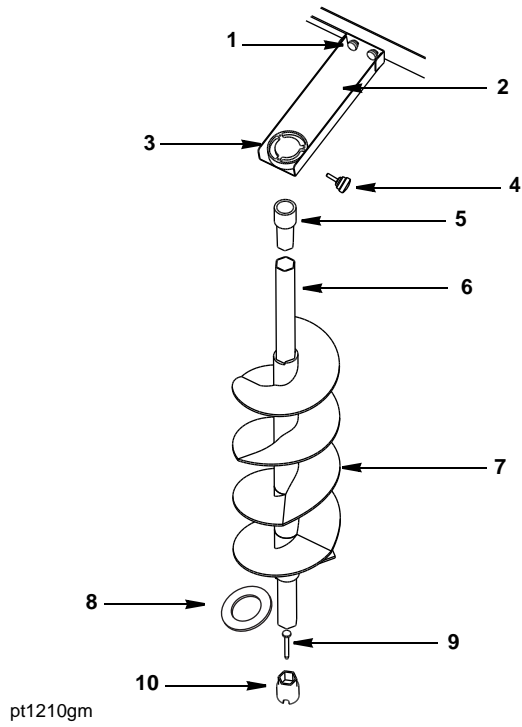
**QPA310, QRA340, QFA291, QCA330 CABINET ASSEMBLY, CONTINUED**

DESCRIPTION	PART NO.
<b>QPA310, QRA340, QFA291, QCA330</b>	
1 Foam Tape . . . . .	† 9202489
2 Deflector . . . . .	No Longer Available
3 False Bottom . . . . .	No Longer Available
4 Access Door Assembly . . . . .	7628673
5 Ice Restrictor Q310, Q340 . . . . .	6286814
6 Ice Restrictor Q291 Only . . . . .	6061621
7 Ice Chute Door . . . . .	No Longer Available
8 Ice Chute Door Pivot Pin . . . . .	6026791
9 Ice Chute Door Cotter Pin . . . . .	† 3712031
<b>QPA310, QRA340, QFA291, QCA330 Miscellaneous – Brackets, Screws, etc.</b>	
10 Left Hand Access Door Mounting Bracket . . . . .	No Longer Available
11 Right Hand Access Door Mounting Bracket . . . . .	6647114
12 Access Door Base Bracket . . . . .	No Longer Available
13 Access Door Retainer Bracket . . . . .	No Longer Available
14 Knurled Thumbscrew . . . . .	† 5305049
15 Upper Door Retainer (Round Mounting Hole) . . . . .	No Longer Available
a. Upper Door Retainer (Square Mounting Hole) . . . . .	No Longer Available
b. Mounting Screen . . . . .	† 5202059
16 Ice Chute Door Mounting Bracket . . . . .	No Longer Available
17 Lower Back Panel (Not shown) . . . . .	6024551
18 Drip Bracket Assembly (Not shown)	
a. Q300 Dispenser . . . . .	No Longer Available
b. Q290 Dispenser . . . . .	† 7629303

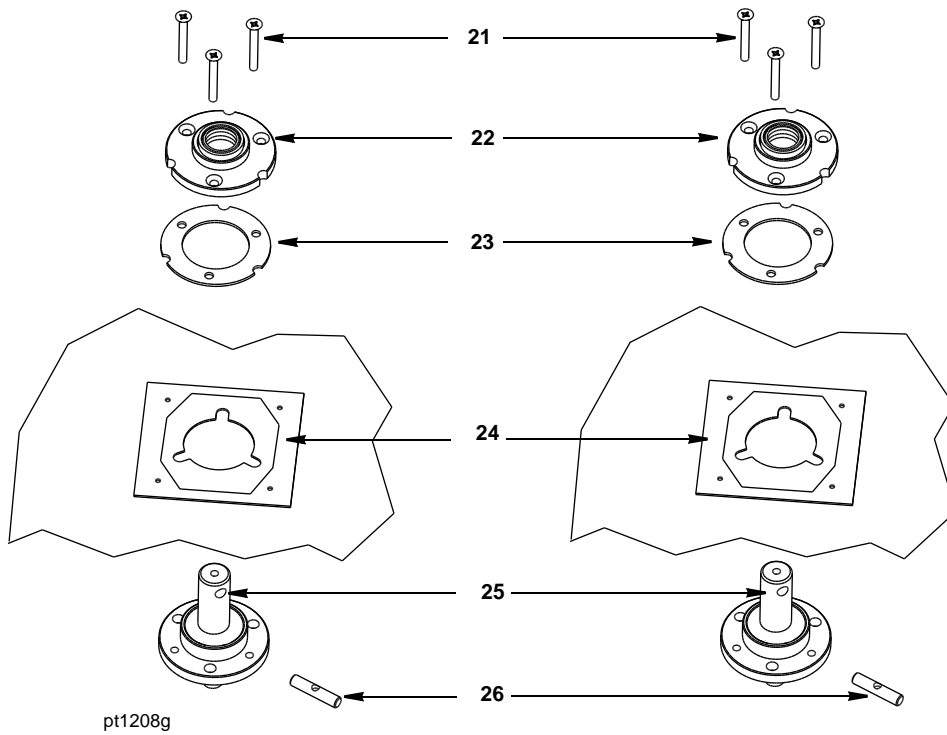
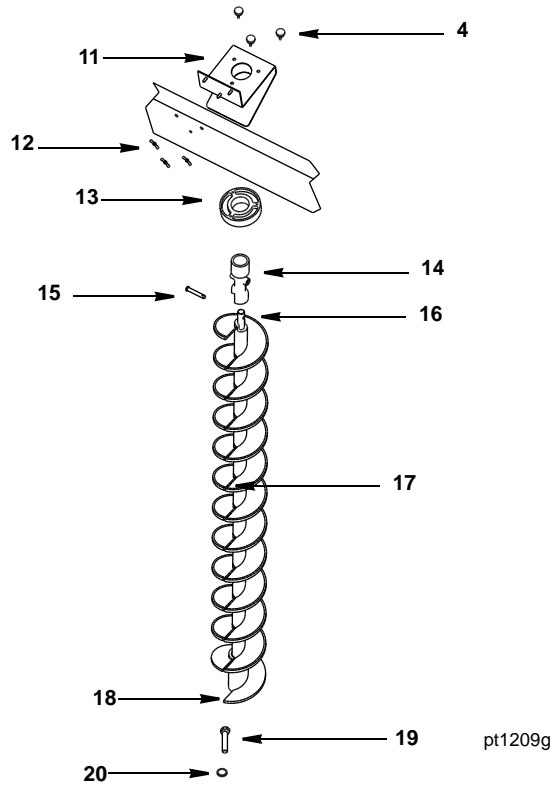
† Refer to Cross Reference Guide

# QPA310, QRA340, QFA291, QCA330 AUGER AND BEARING ASSEMBLY

Agitator Auger Assembly



Delivery Auger Assembly

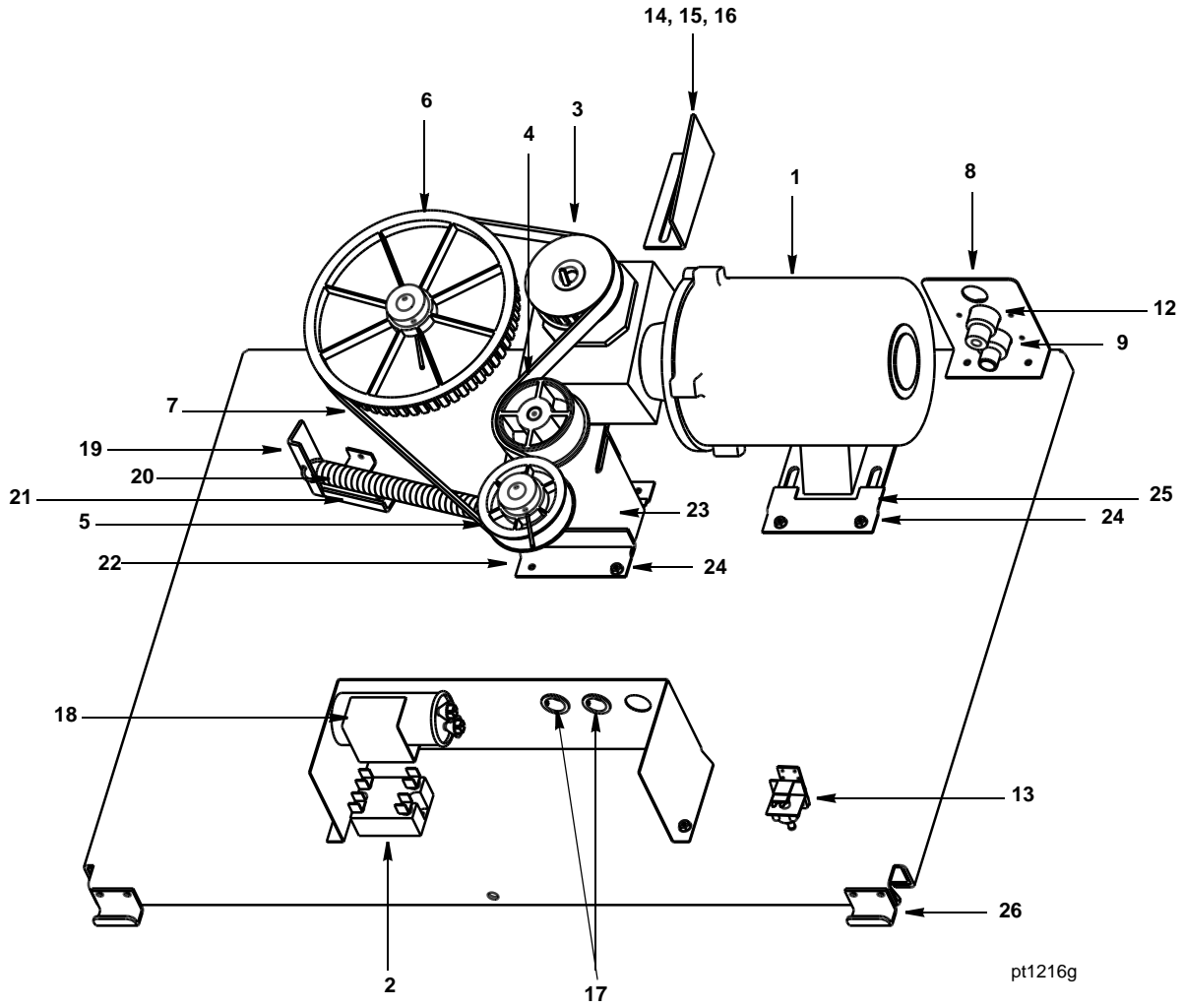


**QPA310, QRA340, QFA291, QCA330 AUGER AND BEARING ASSEMBLY, CONTINUED**

DESCRIPTION	PART NO.
<b>QPA310, QRA340, QFA291, QCA330 Agitator Auger Assembly</b>	
1 Thumbscrews #8-32 . . . . .	† 5305049
2 Agitator Auger Mounting Bracket . . . . .	No Longer Available
3 Agitator Auger Upper Bearing . . . . .	4301743
4 Thumbscrew #8 x 1/2" . . . . .	† 5012169
5 Upper Bearing Coupling . . . . .	4301683
6 Agitator Shaft . . . . .	6652414
7 Agitator Auger Flighting 8" OD (Uses 5) . . . . .	4301913
8 Agitator Shaft Washer (Not shown) . . . . .	6280213
9 1/4"-20 x 1" Bolt . . . . .	† 5033539
10 Lower Bearing Coupling . . . . .	4301693
<b>QPA310, QRA340, QFA291, QCA330, Delivery Auger Assembly</b>	
11 Delivery Auger Mounting Bracket . . . . .	6024441
12 Wingnut #8-32 . . . . .	† 5489089
13 Delivery Auger Upper Bearing . . . . .	4301753
14 Delivery Auger Upper Bearing Coupling . . . . .	4303843
15 Clevis Pin . . . . .	3712083
16 Delivery Auger Shaft . . . . .	000000168
17 Delivery Auger Flighting 4" OD (Uses 11) . . . . .	5031191
18 Lower Coupling Flight . . . . .	5031190
19 1/4"-20 x 1/2" Bolt . . . . .	† 5032369
20 1/4" Lock Washer . . . . .	† 5545119
<b>QPA310, QRA340, QFA291, QCA330, Bearing Assembly</b>	
21 Cap Screws 1/4"-20 x 2 1/8" . . . . .	5013253
22 Bearing Housing Assembly . . . . .	† 7623373
23 Bearing Gasket . . . . .	3718163
24 Bearing Mounting Plate . . . . .	6028131
25 Bearing Housing Assembly w/Shaft . . . . .	7623143
26 Retaining Pin . . . . .	3710323

† Refer to Cross Reference Guide

# QPA310, QRA340, QFA291, QCA330 BASE ASSEMBLY



pt1216g

**QPA310, QRA340, QFA291, QCA330 BASE ASSEMBLY, CONTINUED**

DESCRIPTION	PART NO.
<b>1 Drive Motor/Gear Reducer Assy. QPA310, QRA340, QFA291, QCA330</b>	
a. Assembly 115V/60Hz . . . . .	† 7626813
b. Drive Motor Only 115V/60Hz . . . . .	7626803
c. Run Capacitor 115V/60Hz . . . . .	8504813
d. Assembly 220/240V/50Hz . . . . .	† 7626833
e. Drive Motor Only 220/240V/50Hz . . . . .	7626823
f. Run Capacitor 220/240V/50Hz . . . . .	† 8503413
<b>Gear Reducer cannot be ordered separately.</b>	
2 Relay . . . . .	No Longer Available
3 Drive Pulley . . . . .	3740083
4 Belt Tension Pulley . . . . .	4301723
a. Washer (Not shown) . . . . .	† 5573399
b. Screw (Not shown) . . . . .	No Longer Available
5 Delivery Auger Pulley . . . . .	3740123
a. Roll Pin . . . . .	† 3712049
6 Agitator Auger Pulley . . . . .	3740103
a. Roll Pin . . . . .	† 3712049
7 Drive Belt . . . . .	3700213
8 6' Power Supply Cord . . . . .	2030673
9 Drain Fitting 1/2" FPT. . . . .	8706083
a. Vinyl Tubing 5/8" ID – 7/8" OD (Not shown) . . . . .	† 4420383
10 Wiring Harness (Not shown Q310, Q330, Q340 Only) . . . . .	2032603
<b>Q291</b>	
11 Wiring Harness (Not shown) . . . . .	2032613
12 Water Inlet Female Wing Adapter . . . . .	† 8706093
a. Male Water Inlet Compression Nut (Not shown) . . . . .	1360961
b. Polyflow Tubing 1/4" OD (Not shown) . . . . .	4420291
13 <b>Water Inlet Valve</b>	
a. Water Inlet Valve Assembly Including 115V 50-60 Cycle Coil . . . . .	† 000007965
b. Water Inlet Valve 115V 50-60 Cycle Coil Only . . . . .	000005156
c. Water Inlet Valve Assembly Including 220-240V 50-60 Cycle Coil . . . . .	† 000007966
d. Water Inlet Valve 220-240V 50-60 Cycle Coil Only . . . . .	000005157
<b>QPA310, QRA340, QFA291, QCA330 Miscellaneous – Brackets, Screws, etc.</b>	
14 <b>Gear Box Angle Bracket Assembly</b> . . . . .	6026101
15 Screw 5/16" – 18 x 5/8" Machine . . . . .	† 5035659
16 Lockwasher 5/16" Split . . . . .	† 5573139
17 Bushing 7/8" OD . . . . .	† 2501409
18 Run Capacitor Mounting Bracket . . . . .	No Longer Available
19 Spring Tension Lock Bracket . . . . .	No Longer Available
20 Tension Spring . . . . .	3300163
21 Tension Lock Bracket . . . . .	No Longer Available
22 Tension Bracket Guide . . . . .	No Longer Available
23 Belt Tension Pulley Mounting Bracket . . . . .	6658414
24 Screw #10-24 x 1/2" . . . . .	† 5202069
25 Gear Motor Lock Bracket . . . . .	6281014
26 Door Support Bracket . . . . .	No Longer Available
27 Control Box Cover (Not shown) . . . . .	No Longer Available
28 Lower Back Panel (Not shown) . . . . .	6024551

† Refer to Cross Reference Guide

**INTENTIONALLY LEFT BLANK**