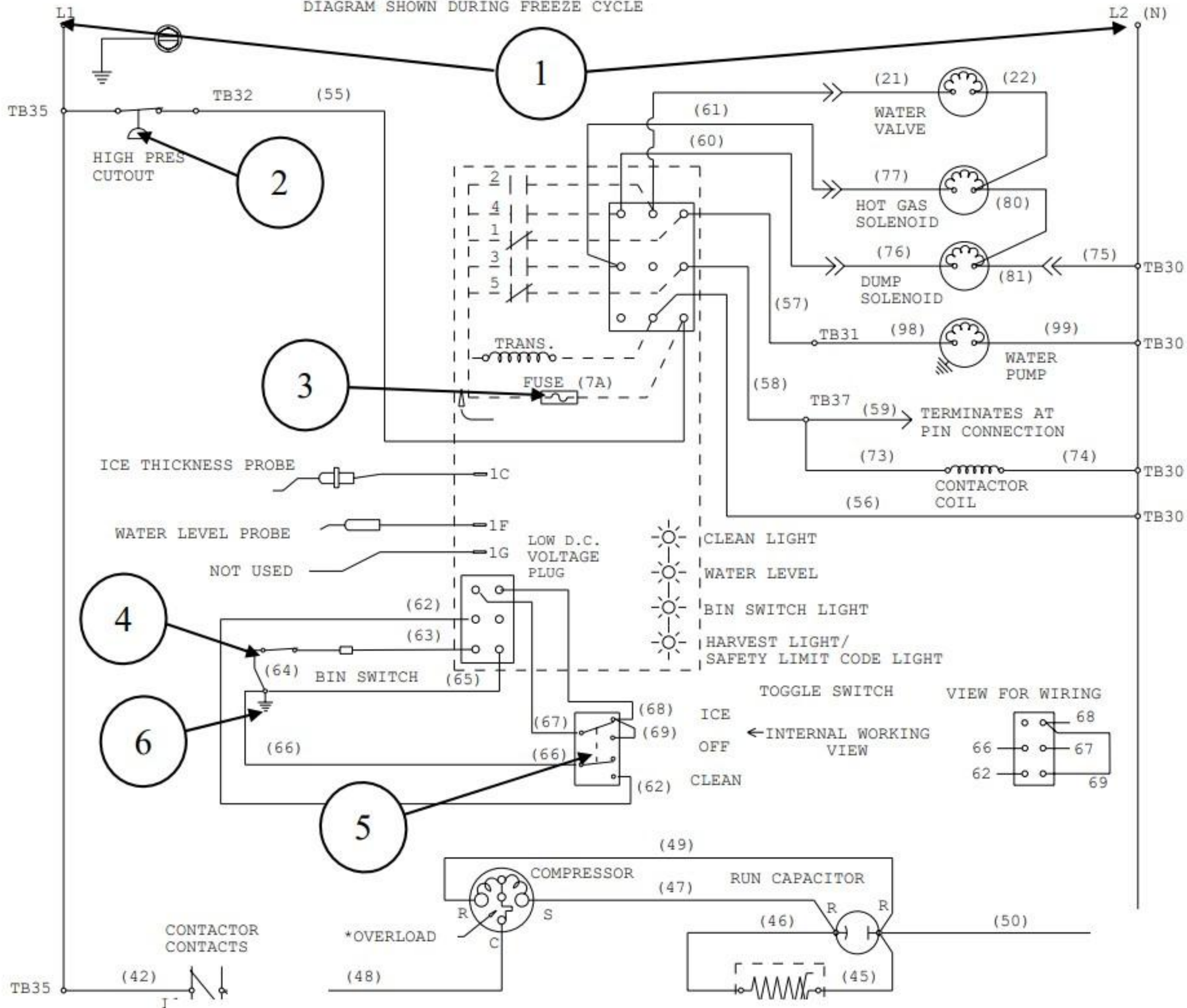


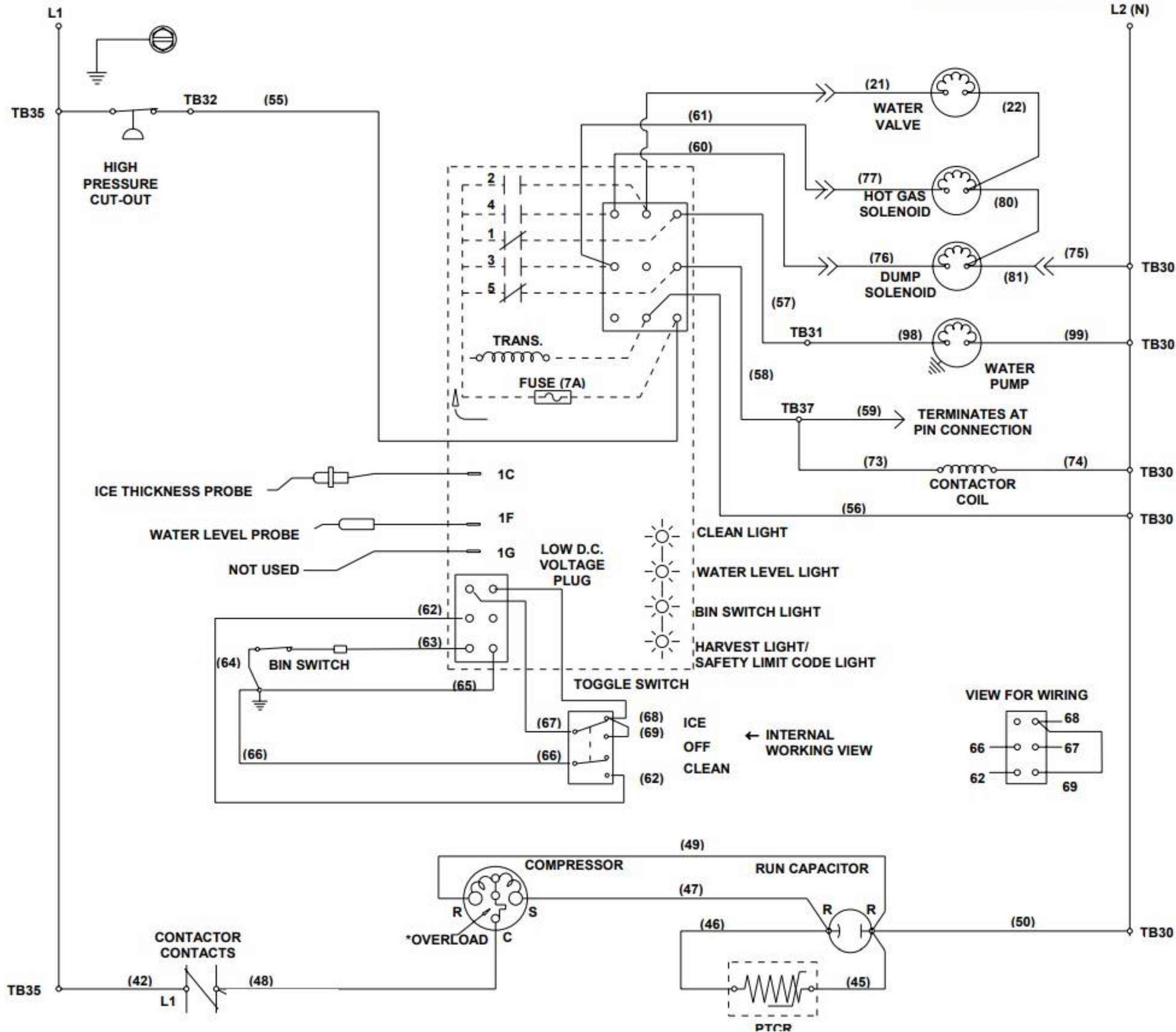
DIAGRAM SHOWN DURING FREEZE CYCLE

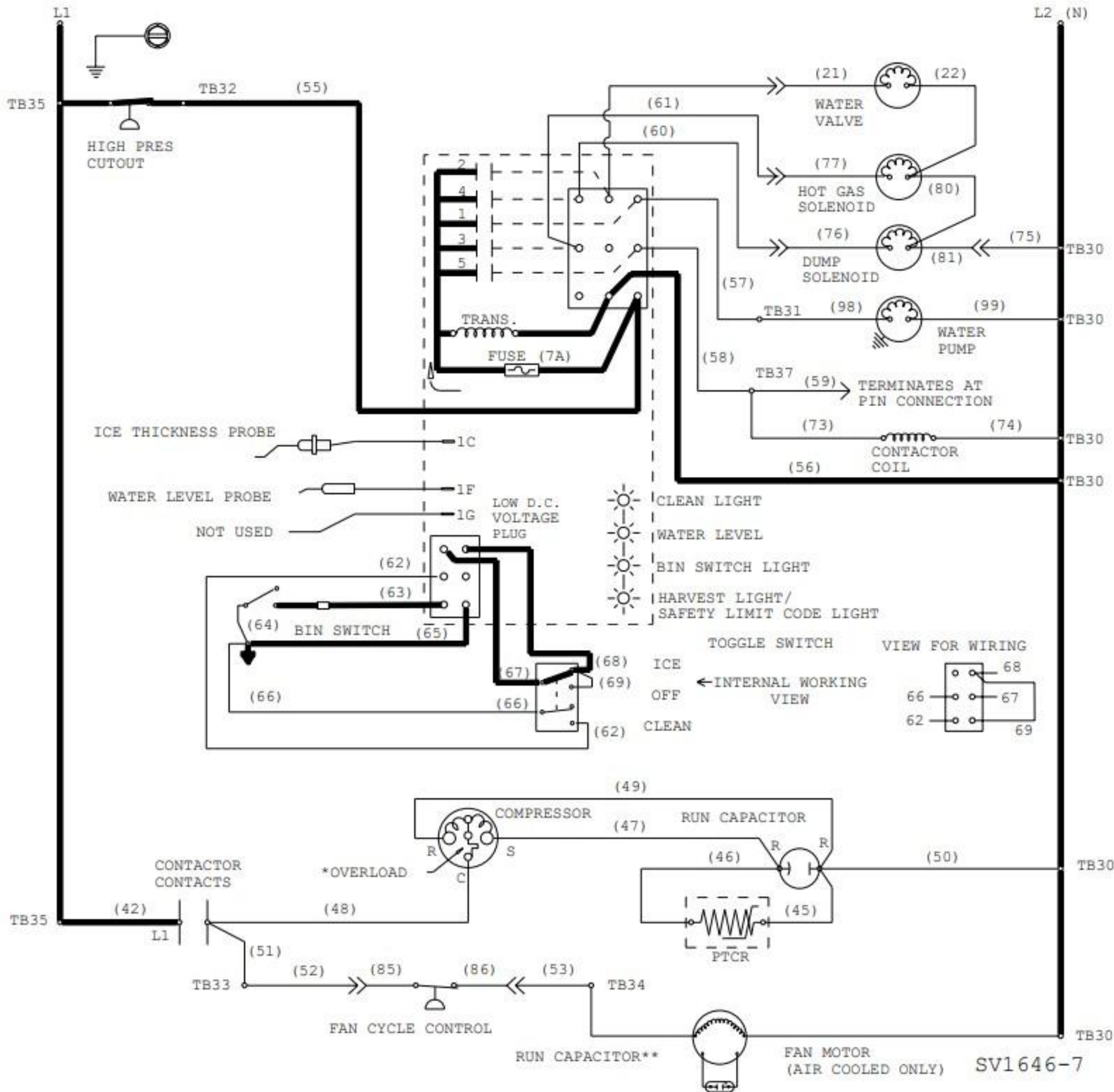


CAUTION: DISCONNECT POWER BEFORE WORKING ON ELECTRICAL CIRCUITRY.

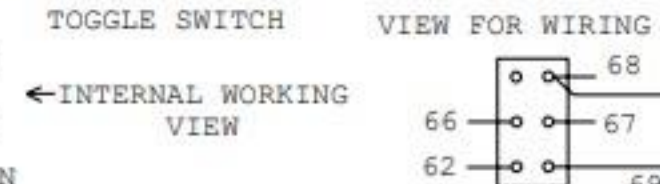
NOTE: DIAGRAM SHOWN DURING FREEZE CYCLE.

SEE SERIAL PLATE FOR VOLTAGE



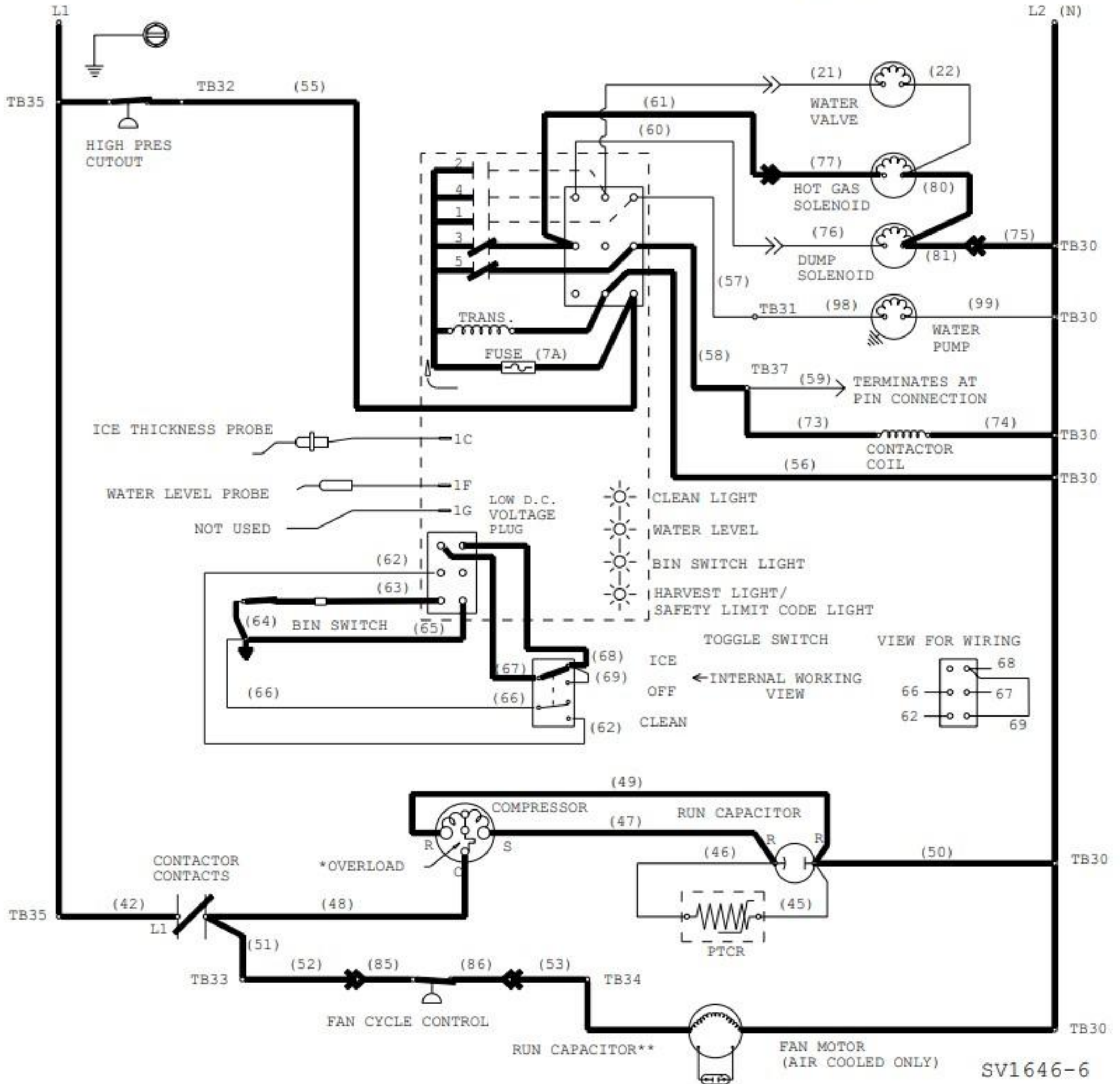


- (68) CLEAN LIGHT
- (69) WATER LEVEL
- (70) BIN SWITCH LIGHT
- (71) HARVEST LIGHT/
SAFETY LIMIT CODE LIGHT

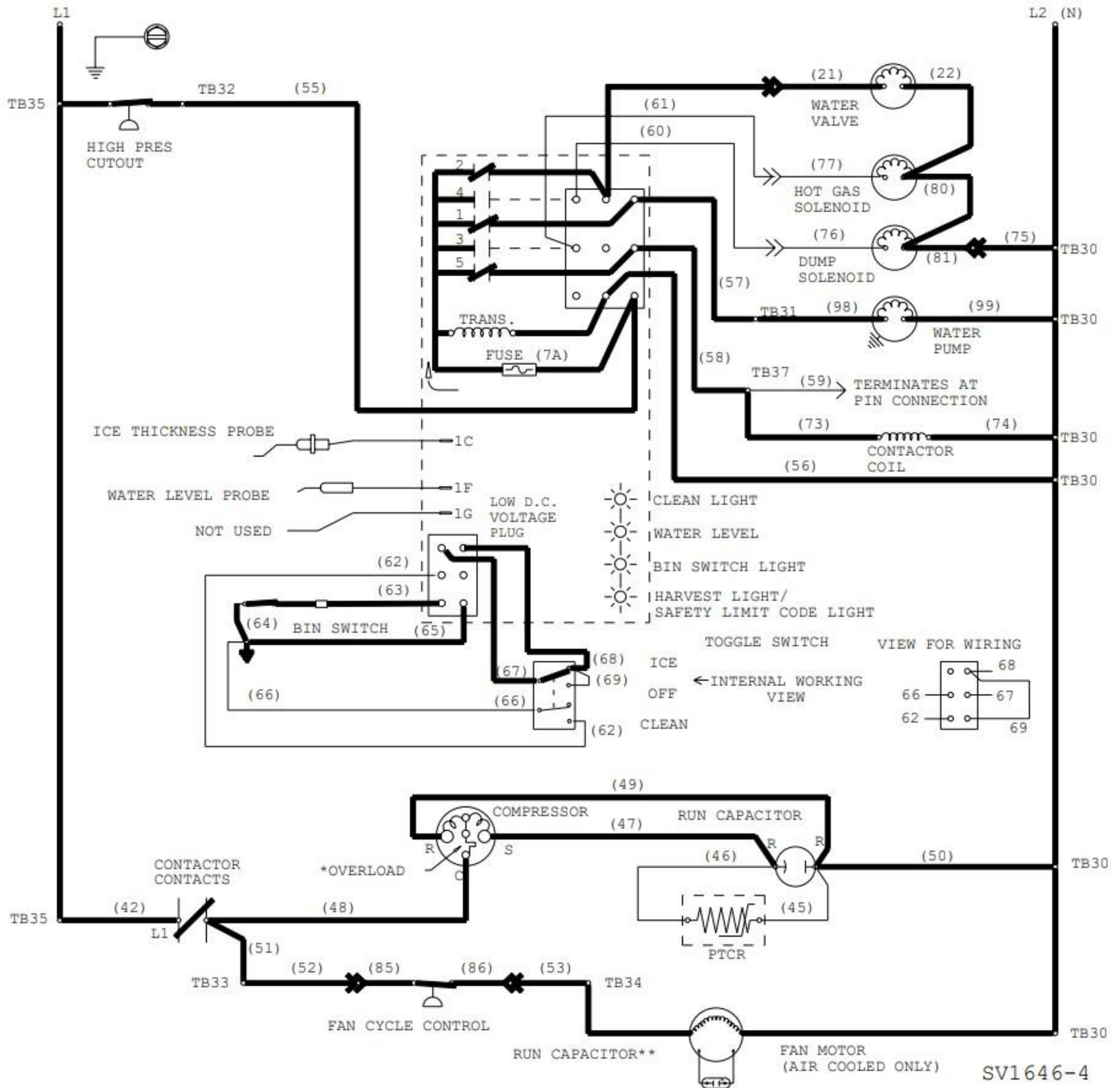


SV1646-7

SEE SERIAL PLATE FOR VOLTAGE



SV1646-6



SEE SERIAL PLATE FOR VOLTAGE

