

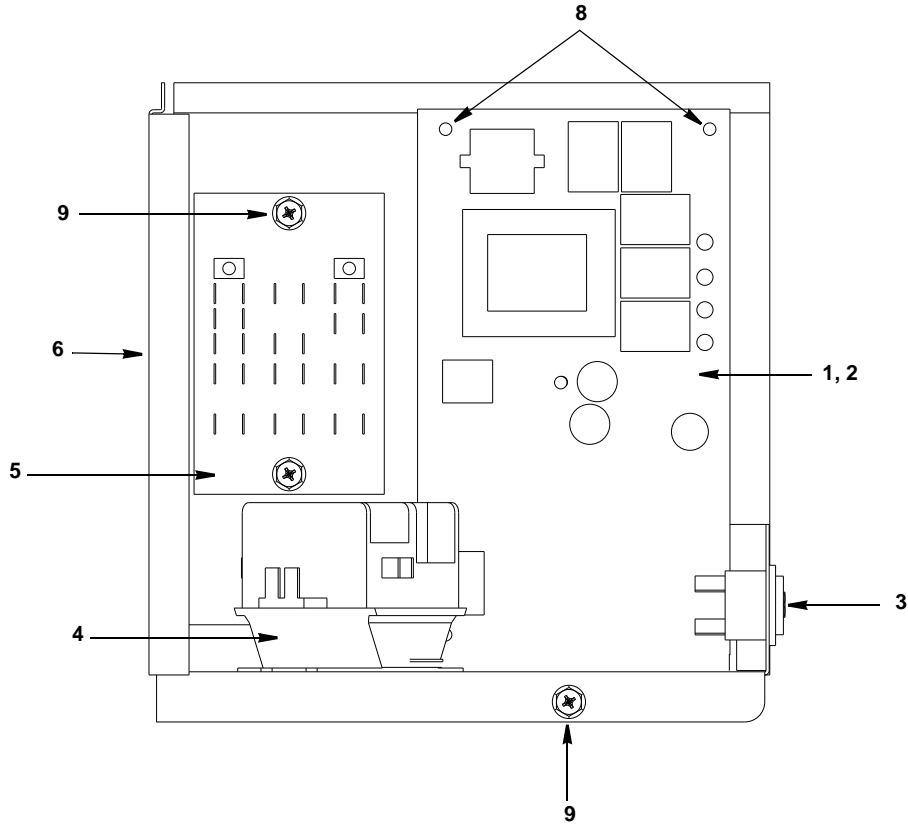


**Ice Machine Parts List for  
Series P530 Models**

**PD0532R**

**PY0534R**

# P530 CONTROL BOX



pt1257

## DESCRIPTION

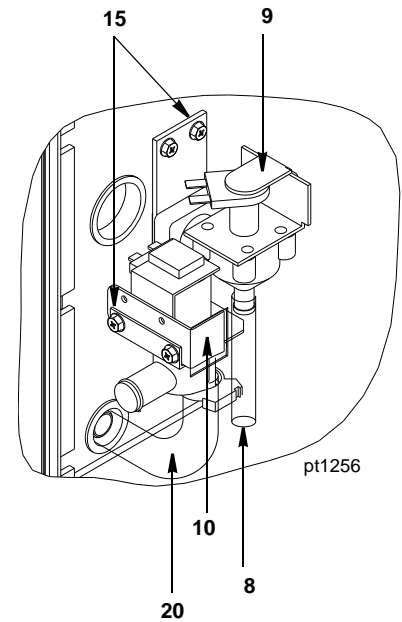
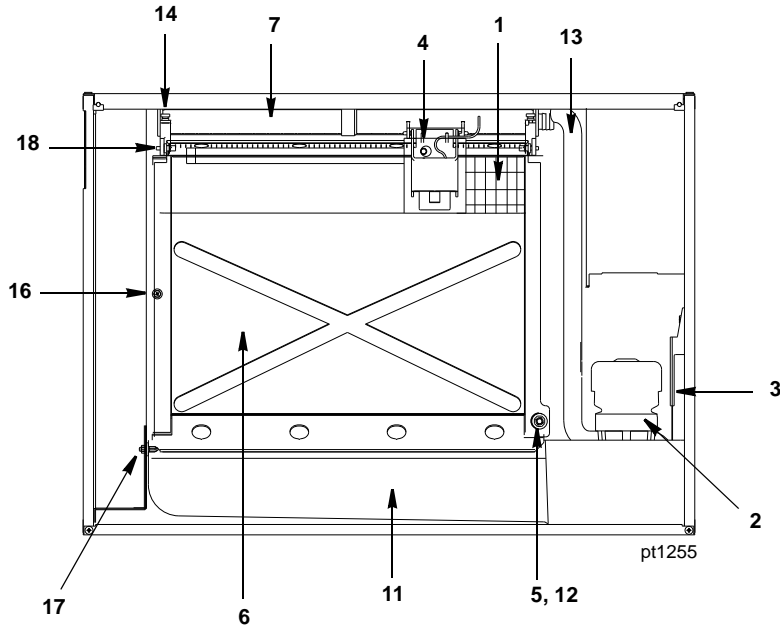
	<b>PART NO.</b>
1 Control Board (for use with all voltages) . . . . .	No Longer Available
2 7 Amp Fuse – Mounted on Control Board . . . . .	2511003
3 <b>Toggle Switch</b> Only . . . . .	2301343
a. Toggle Switch with Wiring Harness Attached . . . . .	2032173
4 <b>Contactor</b>	
a. 115V/60 Hz/1 Ph . . . . .	† 2006569
5 <b>Terminal Board with Wire Harness Attached</b>	
a. 115v/60 Hz/1 Ph . . . . .	2032643

## Miscellaneous – Brackets, Screws, etc.

6 Control Box . . . . .	No Longer Available
7 Control Box Cover (Not shown) . . . . .	No Longer Available
8 Control Board Mounting Supports . . . . .	4302253
9 Screw, #10-24 x 0.50 . . . . .	† 5202069
10 Screw, #10-24 x 0.50 Ground (Not shown). . . . .	† 5202169
11 Power Cord (Not shown) . . . . .	2031683

† Refer to Cross Reference Guide

# P530 EVAPORATOR COMPARTMENT



## DESCRIPTION

## PART NO.

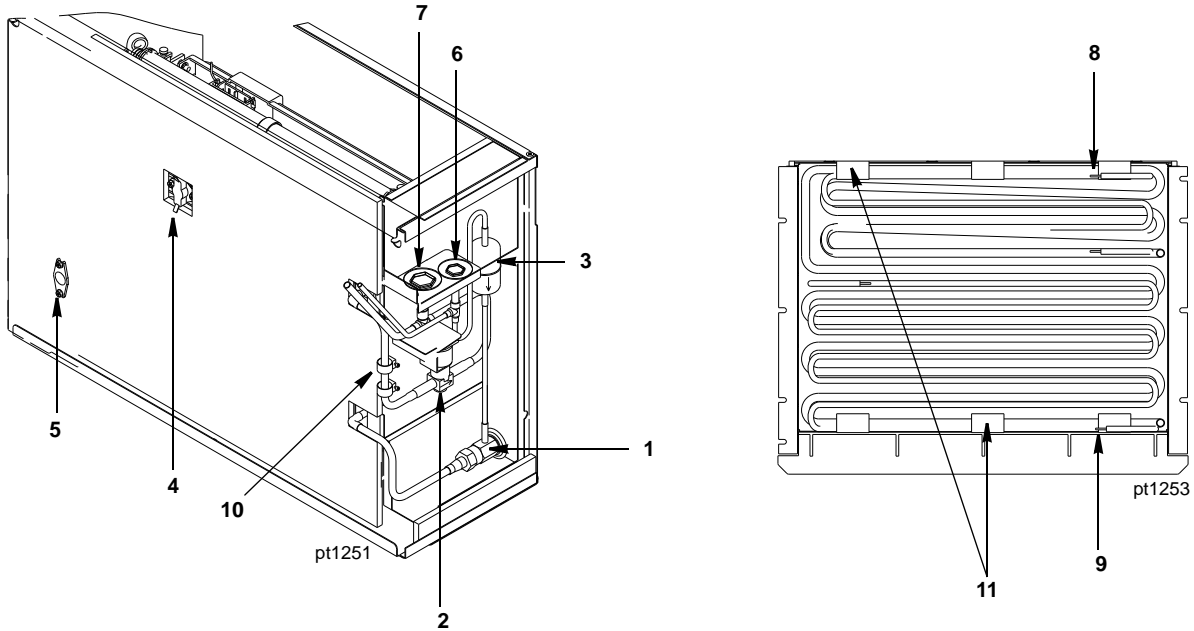
<b>1 Evaporator Assembly</b>	
a. Dice Cube . . . . .	No Longer Available
b. Half Dice Cube . . . . .	No Longer Available
<b>2 Water Pump</b>	
a. 115V/60 Hz . . . . .	† 7623063
<b>3 Water Level Probe</b> . . . . .	2511293
<b>4 Ice Thickness Control Probe</b> . . . . .	† 7627813
<b>5 Magnetic Bin Switch (Mounted to Evaporator)</b> . . . . .	† 2301483
<b>6 Water Curtain</b> . . . . .	4304643
<b>7 Water Distribution Tube</b> . . . . .	† 7624983
<b>8 Water Inlet Flow Tube</b> . . . . .	4421363
<b>9 Water Inlet Valve Including 115V Coil</b> . . . . .	No Longer Available
<b>10 Water Dump Valve</b>	
a. 115V . . . . .	000001767
b. Water Dump Valve Rebuild Kit . . . . .	No Longer Available
Retainer Cap for Dump Valve Coil . . . . .	No Longer Available
<b>11 Water Trough</b> . . . . .	No Longer Available

## Miscellaneous – Brackets, Screws, etc.

<b>12 Water Curtain Magnet with Attachment Clip</b> . . . . .	† 7628023
<b>13 Tubing (Water Pump Out)</b> . . . . .	4421273
<b>14 Screw, #8-32 x 0.63 Nylon Water Distribution Tube Mounting</b> . . . . .	† 5000013
<b>15 Screw, #10-24 x 0.50</b> . . . . .	† 5202069
<b>16 Screw, #10-24 x 0.750 Used to Mount Evaporator</b> . . . . .	† 5202189
<b>17 Water Trough Support</b> . . . . .	4302013
<b>18 Evaporator Top Molding and Gasket Assembly</b> . . . . .	7626213
<b>19 Water Curtain Pin Assembly (Not shown)</b> . . . . .	7627763
<b>20 Tubing (Dump Valve Out)</b> . . . . .	4420983

† Refer to Cross Reference Guide

## P530 REFRIGERATION COMPARTMENT

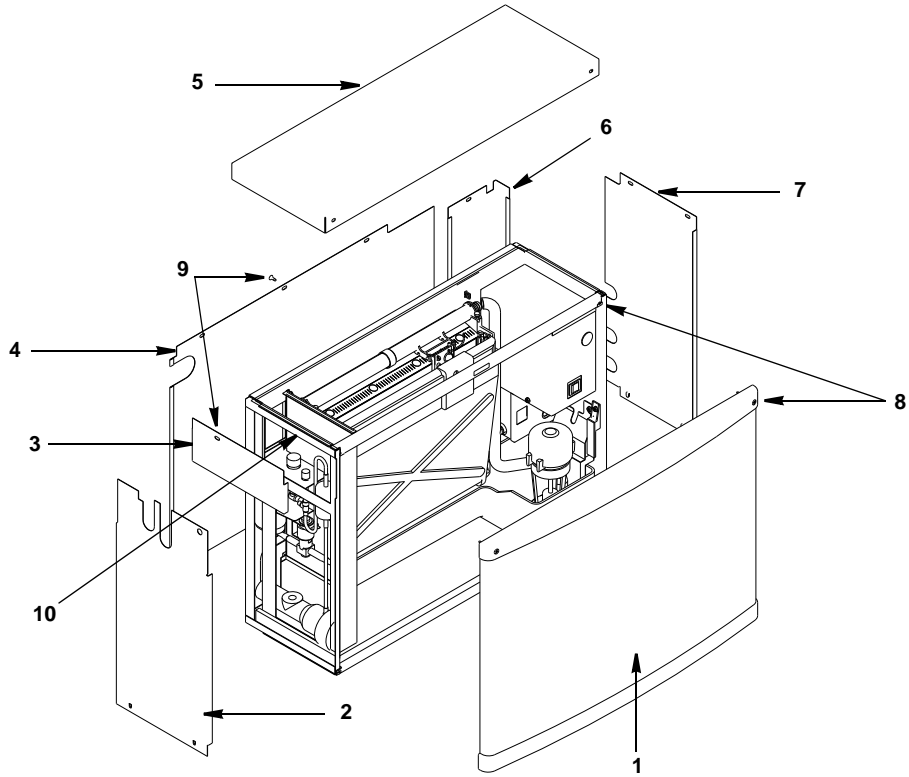


### DESCRIPTION

		PART NO.
1	Expansion Valve . . . . .	No Longer Available
	a. Expansion Valve Body Insulation. . . . .	4007213
	b. Expansion Valve Bulb Insulation . . . . .	4007203
2	Suction Solenoid Valve	
	a. Suction Solenoid Valve including 115V/60 Hz Electrical Coil (Danfoss) . . . . .	† 7630051
	b. Suction Solenoid Valve 115V Coil Only Danfoss. . . . .	000005156
	c. Suction Solenoid Valve 115V Coil Only Alco . . . . .	2404363
3	Liquid Line Drier . . . . .	† 8930259
4	Harvest Heater Safety Thermo-disc . . . . .	2351323
5	Water Inlet Adapter 1/2" NPTF . . . . .	8706083
6	Aero-quip Fitting Male Liquid Line . . . . .	† 8360343
	a. Coupling Flange . . . . .	8360053
7	Aero-quip Fitting Male Suction Line . . . . .	† 8360353
	a. Coupling Flange . . . . .	8360063
8	Harvest Heater Element Upper. . . . .	No Longer Available
9	Harvest Heater Element Lower. . . . .	No Longer Available
<b>Miscellaneous – Brackets, Screws, etc.</b>		
10	Expansion Valve Hose Clamp. . . . .	† 5650529
11	Harvest Heater Element Clips . . . . .	No Longer Available

† Refer to Cross Reference Guide

# P530 PANELS



pt1249

## DESCRIPTION

	<b>PART NO.</b>
1 Front Panel Assembly .....	7628533
2 Left Side Panel.....	6028571
3 Upper Left Side Panel .....	No Longer Available
4 Back Panel.....	No Longer Available
5 Top Cover.....	No Longer Available
6 Back Panel.....	No Longer Available
7 Right Side Panel .....	No Longer Available

## Miscellaneous – Brackets, Screws, etc.

8 Front Cover Screw/Speed Nut Assembly.....	7628983
9 Screw, #10-24 x 0.50 Flat .....	† 5202099
10 Extruded Tape .....	† 9202509

**INTENTIONALLY LEFT BLANK**