

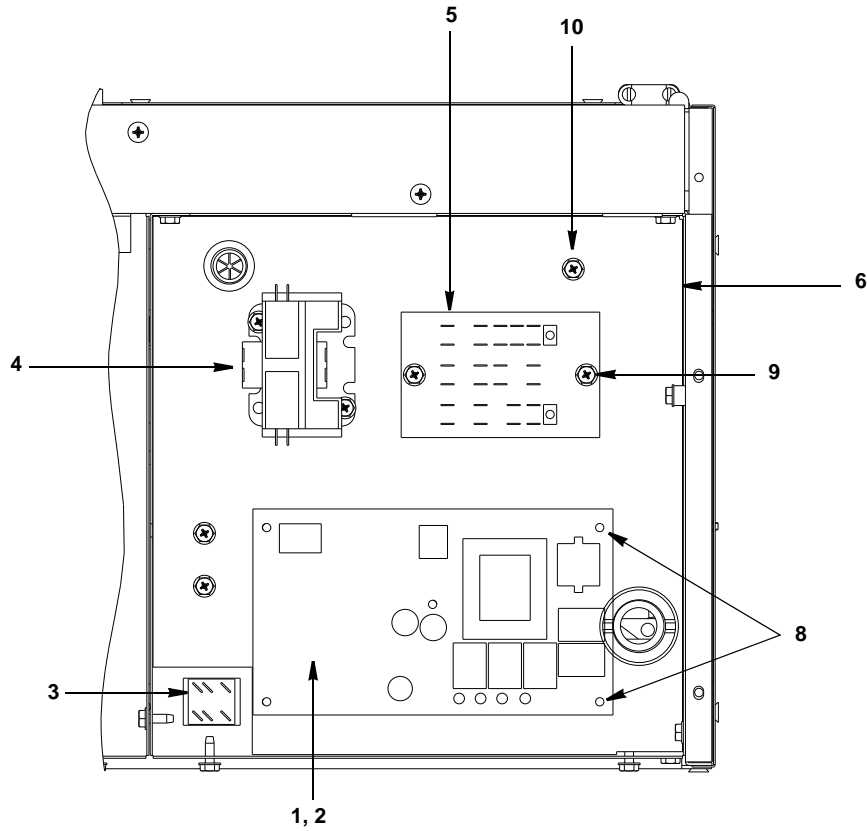


**Ice Machine Parts List for  
Series P520 Models**

**PD0522R**

**PY0524R**

# P520 CONTROL BOX



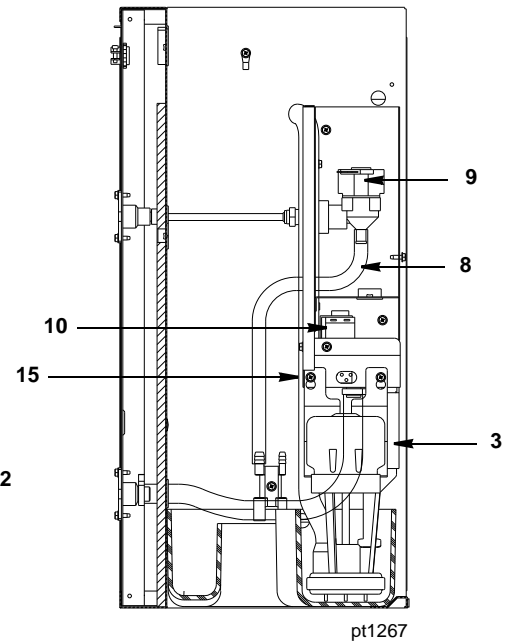
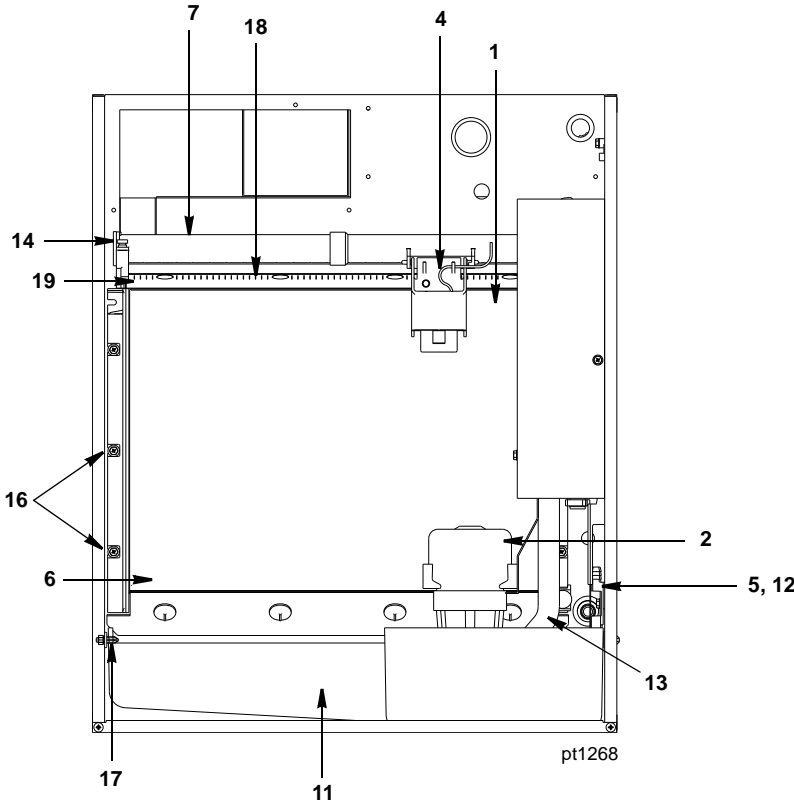
pt1266

## DESCRIPTION

|  | <b>PART NO.</b>     |
|--|---------------------|
| 1 Control Board (for use with all voltages) . . . . .        | No Longer Available |
| 2 7 Amp Fuse – Mounted on Control Board . . . . .            | 2511003             |
| 3 <b>Toggle Switch</b> Only . . . . .                        | 2301343             |
| a. Toggle Switch with Wiring Harness Attached . . . . .      | 2032173             |
| 4 <b>Contact</b> or . . . . .                                |                     |
| a. 115V/60 Hz/1 Ph . . . . .                                 | † 2006569           |
| 5 <b>Terminal Board with Wire Harness Attached</b> . . . . . |                     |
| a. 115V/60 Hz/1 Ph . . . . .                                 | 2032643             |
| <b>Miscellaneous – Brackets, Screws, etc.</b>                |                     |
| 6 Control Box . . . . .                                      | 6029071             |
| 7 Control Box Cover (Not shown) . . . . .                    | 7629263             |
| 8 Control Board Mounting Supports . . . . .                  | 4302253             |
| 9 Screw, #8 x 0.75 . . . . .                                 | † 5202069           |
| 10 Screw, #10-24 x 0.50 Ground . . . . .                     | † 5202169           |

† Refer to Cross Reference Guide

# P520 EVAPORATOR COMPARTMENT



## DESCRIPTION

## PART NO.

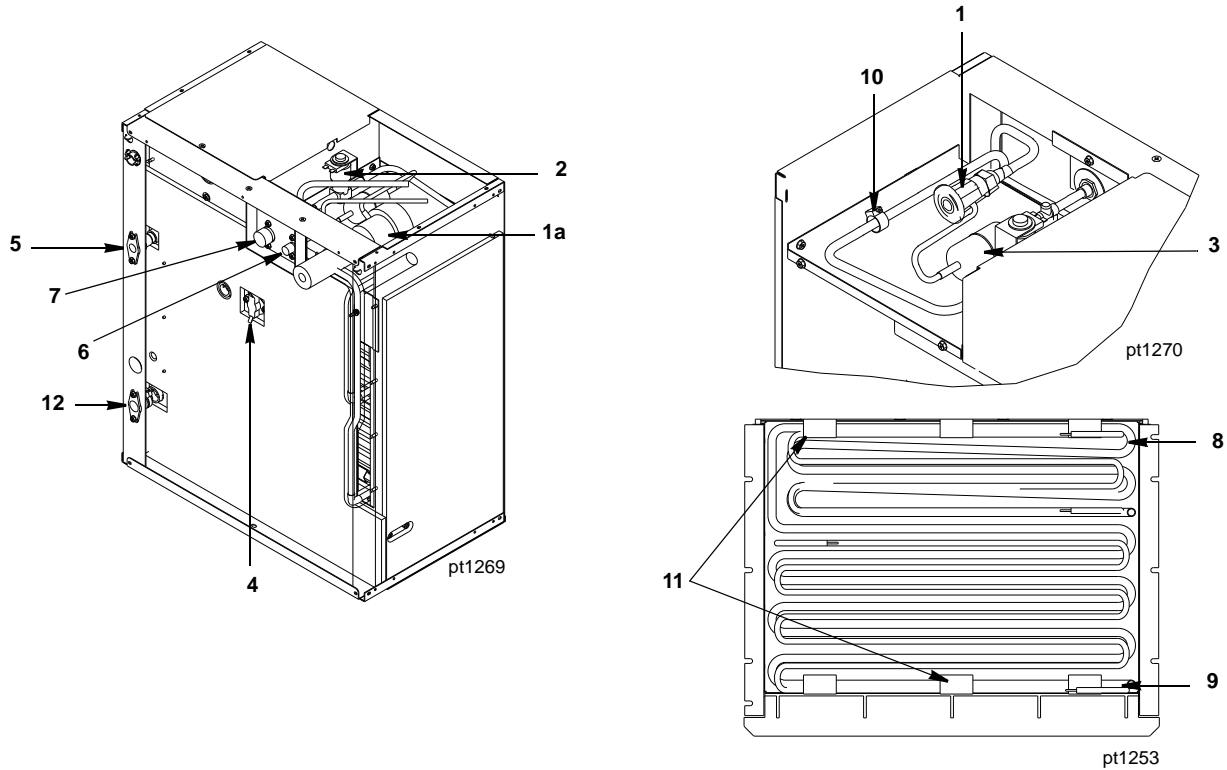
|  |                     |
|--|---------------------|
| <b>1 Evaporator Assembly</b>                               |                     |
| Dice Cube .....  | No Longer Available |
| Half Dice Cube .....                                       | No Longer Available |
| <b>2 Water Pump</b>  |                     |
| a. 115V/60 Hz .....  | † 7623063           |
| <b>3 Water Level Probe</b> .....                           | 2511293             |
| <b>4 Ice Thickness Control Probe</b> .....                 | † 7627813           |
| <b>5 Magnetic Bin Switch (Mounted to Evaporator)</b> ..... | † 2301483           |
| <b>6 Water Curtain</b> .....                               | 4304643             |
| <b>7 Water Distribution Tube</b> .....                     | † 7624983           |
| <b>8 Water Inlet Flow Tube</b> .....                       | 4421373             |
| <b>9 Water Inlet Valve including 115V Coil</b> .....       | No Longer Available |
| <b>10 Water Dump Valve</b>                                 |                     |
| a. 115V .....  | 000001767           |
| b. Water Dump Valve Rebuild Kit .....                      | No Longer Available |
| Retainer Cap for Dump Valve Coil .....                     | No Longer Available |
| <b>11 Water Trough</b> .....                               | No Longer Available |

## Miscellaneous – Brackets, Screws, etc.

|  |           |
|--|-----------|
| <b>12 Water Curtain Magnet with Attachment Clip</b> .....                  | † 7628023 |
| <b>13 Tubing (Water Pump Out)</b> .....                                    | 4421333   |
| <b>14 Screw, #8-32 x 0.63 Nylon Water Distribution Tube Mounting</b> ..... | † 5000013 |
| <b>15 Screw, #10-24 x 0.50</b> .....                                       | † 5202069 |
| <b>16 Screw, #10-24 x 0.750 Used to Mount Evaporator</b> .....             | † 5202189 |
| <b>17 Water Trough Support</b> .....                                       | 4302013   |
| <b>18 Evaporator Top Molding and Gasket Assembly</b> .....                 | 7626213   |
| <b>19 Water Curtain Pin Assembly</b> .....                                 | 7627763   |

† Refer to Cross Reference Guide

## P520 REFRIGERATION COMPARTMENT

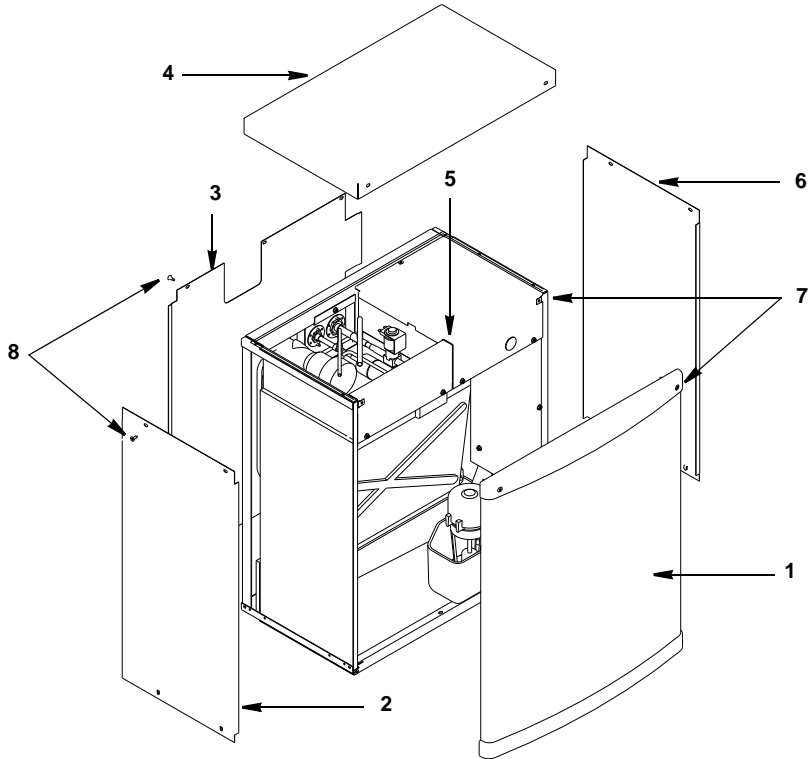


### DESCRIPTION

|   |   | <b>PART NO.</b>     |
|---|---|---------------------|
| 1   | Expansion Valve . . . . .   | No Longer Available |
| a.  | Expansion Valve Body Insulation. . . . .  | 4007213             |
| b.  | Expansion Valve Bulb Insulation . . . . .                                       | 4007203             |
| 2   | Suction Solenoid Valve  |                     |
| a.  | Suction Solenoid Valve Including 115V/60 Hz Electrical Coil (Danfoss) . . . . . | † 7630051           |
| b.  | Suction Solenoid Valve 115V Coil Only Danfoss. . . . .                          | 000005156           |
| c.  | Suction Solenoid Valve 115V Coil Only Alco . . . . .                            | 2404363             |
| 3   | Liquid Line Drier . . . . .   | † 8930259           |
| 4   | Harvest Heater Safety Thermo-disc . . . . .                                     | 2351323             |
| 5   | Water Inlet Adapter. . . . .  | † 8706093           |
| 6   | Aero-quip Fitting Male Liquid Line . . . . .                                    | † 8360343           |
| a.  | Coupling Flange . . . . .   | 8360053             |
| 7   | Aero-quip Fitting Male Suction Line . . . . .                                   | † 8360353           |
| a.  | Coupling Flange . . . . .   | 8360063             |
| 8   | Harvest Heater Element Upper. . . . .   | No Longer Available |
| 9   | Harvest Heater Element Lower. . . . .   | No Longer Available |
| <b>Miscellaneous – Brackets, Screws, etc.</b> |   |                     |
| 10  | Expansion Valve Hose Clamp. . . . .   | † 5650529           |
| 11  | Harvest Heater Element Clips . . . . .  | No Longer Available |
| 12  | Water Outlet Adapter . . . . .  | 8706083             |

† Refer to Cross Reference Guide

## P520 PANELS



pt1271

### DESCRIPTION

| DESCRIPTION                             | PART NO.            |
|---|---------------------|
| 1 Front Panel Assembly .....            | 7628323             |
| 2 Left Side Panel .....                 | No Longer Available |
| 3 Back Panel .....                      | No Longer Available |
| 4 Top Cover .....                       | No Longer Available |
| 5 Cover Refrigeration Compartment ..... | No Longer Available |
| 6 Right Side Panel .....                | 6030261             |

### Miscellaneous – Brackets, Screws, etc.

|                                    |           |
|------------------------------------|-----------|
| 7 Front Cover Screw Assembly ..... | 7628813   |
| 8 Screw, #10-24 x 0.50 Flat .....  | † 5202099 |

**INTENTIONALLY LEFT BLANK**