



Ice Machine Parts List for MFD50 Series Dispenser Models

MFD50 Counter Top Dispenser

Starting SN 82049633

MFD51 Counter Top Dispenser

Starting SN 83020001

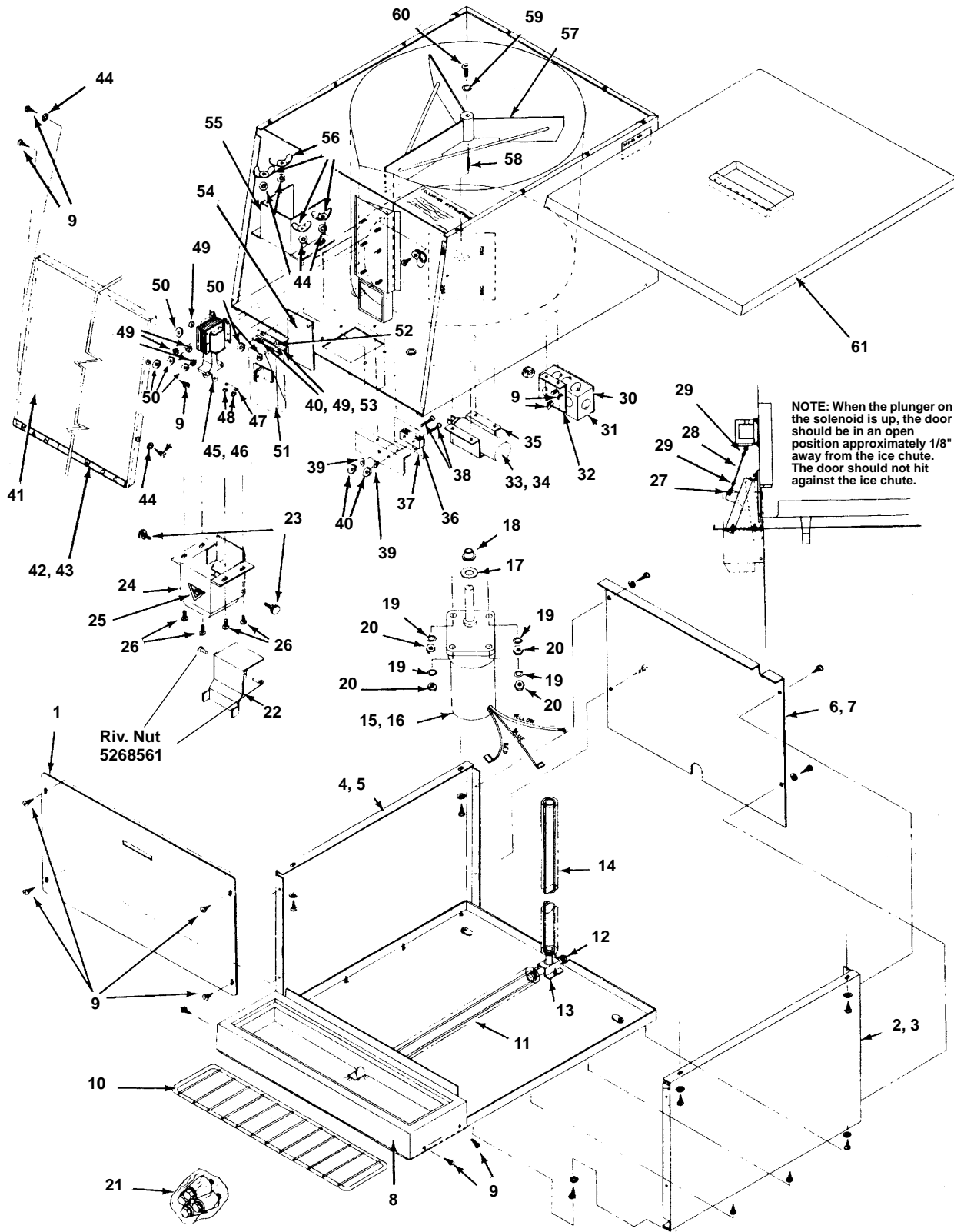
and

Starting SN 890761629

Manufactured October 1981

MFD50

ILLUSTRATION 1



MFD50, CONTINUED

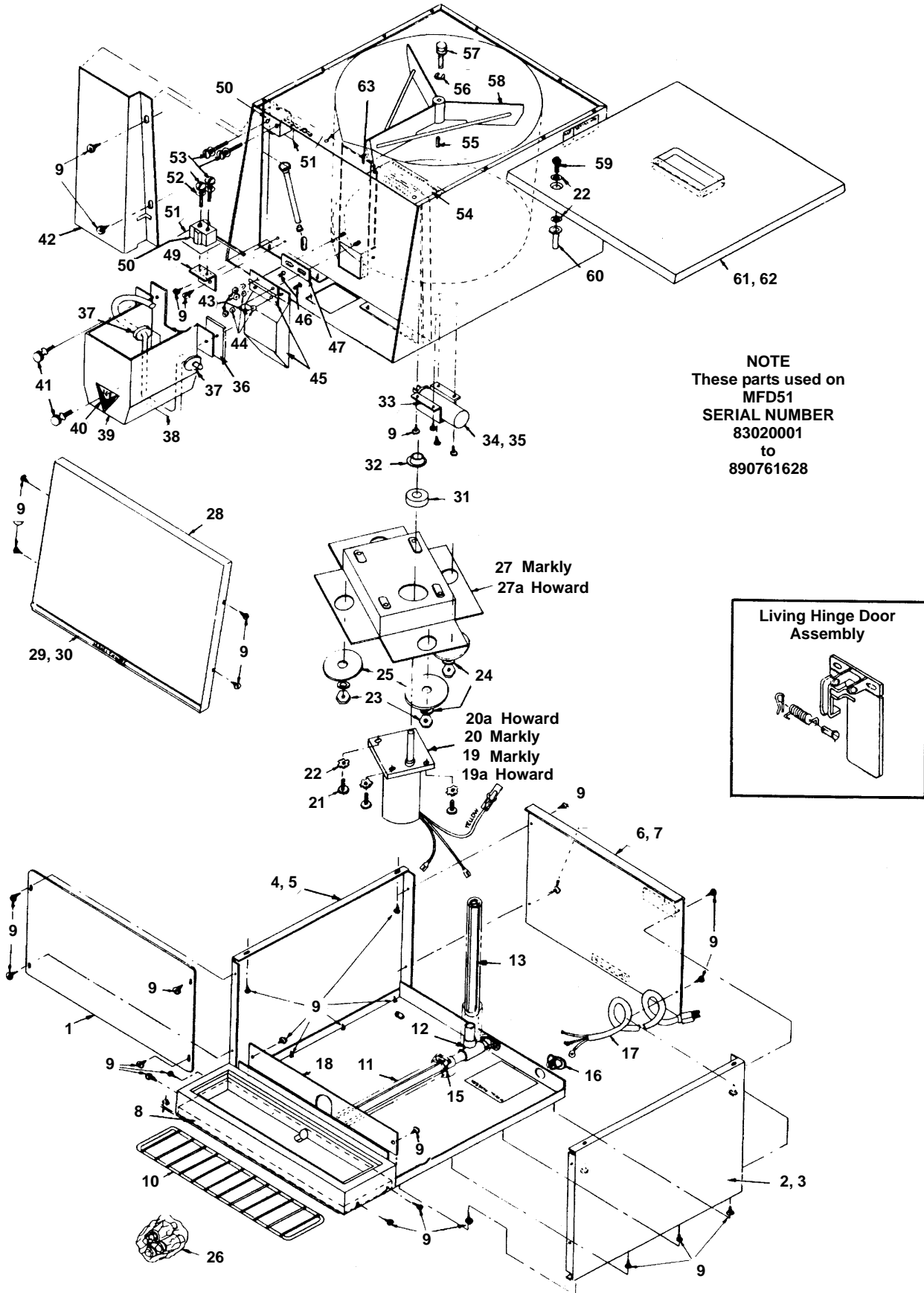
Following Parts used on MFD50 Up to SN 83020000 (See Illustration 1)

PART NO.

1	Front Lower Panel (Stainless steel)	No Longer Available
2	Right Hand Lower Panel (Painted)	No Longer Available
3	Right Hand Lower Panel (Stainless steel)	No Longer Available
4	Left Hand Lower Panel (Painted)	No Longer Available
5	Left Hand Lower Panel (Stainless steel)	No Longer Available
6	Rear Panel (Painted)	† 6579514
7	Rear Panel (Stainless steel)	6579534
8	Melting Tray	No Longer Available
9	#8 Sheet Metal Screw	† 5121539
10	Grill (Above melting tray)	No Longer Available
11	Drain Tube (For melting tray) 19" Long	† 4420333
12	Plastic Tee	No Longer Available
13	Bracket (Mounting plastic tee)	No Longer Available
14	Drain (For dispenser bin) 21" Long	† 4420333
15	Gear Motor, 60 Cycle	No Longer Available
16	Gear Motor, 50 Cycle	No Longer Available
17	Rubber Washer	No Longer Available
18	Bushing	4301413
19	#10 Split Lockwasher	† 5545119
20	#10-32 Hex Nut	No Longer Available
21	Dispenser Legs	No Longer Available
22	Ice Trigger Arm	No Longer Available
23	#8-32 Knurled Head Machine Screw (Mounting ice trigger arm)	† 5000013
24	Lower Ice Chute	No Longer Available
25	Ice Label	No Longer Available
26	#8-32 x 1/2 Machine Screw (Mounting lower ice chute)	† 5026249
27	Thimble (For pulley cable)	No Longer Available
28	Pulley Cable, 10" Long	No Longer Available
29	Clip (For pulley cable, 2 per)	No Longer Available
30	Electrical Control Box Cover	No Longer Available
31	Electrical Box	No Longer Available
32	Mounting Bracket (For electrical box)	No Longer Available
33	Run Capacitor, 60 Cycle	† 8503423
34	Run Capacitor, 50 Cycle	† 8503433
35	Mounting Bracket (For run capacitor)	No Longer Available
36	Microswitch (For ice trigger)	No Longer Available
37	Insulator (For microswitch)	6149614
38	#6-32 Machine Screw (Mounting microswitch)	No Longer Available
39	#6 Lockwasher (Mounting microswitch)	No Longer Available
40	#6-32 Hex Nut	No Longer Available
41	Front Cover With Trim	No Longer Available
42	Trim (Manitowoc)	No Longer Available
43	Foam Tape, 20" Long (Mounting trim)	† 9202129
44	No. 8 Lockwasher (Mounting front cover)	† 5544599
45	Solenoid, 60 Cycle Replacement Kit	0700513
46	Solenoid, 50 Cycle	No Longer Available
47	Mandrel	No Longer Available
48	Retaining Ring (For Mandrel, 2 per)	No Longer Available
49	#8 Lockwasher	† 5544079
50	#8-32 Hex Nut	† 5429069
51	Ice Door	No Longer Available
52	Ice Door Spring	No Longer Available
53	#6-32 x 3/8 Machine Screw	No Longer Available
54	Rubber Door Flap	No Longer Available
55	Upper Ice Chute	No Longer Available
56	#8-32 Wing Nut	† 5489139
57	Ice Delivery Arm Weldment	No Longer Available
58	Key Stock	† 3714023
59	#10 Split Lockwasher	† 5544649
60	#10-24 x 5/8 Machine Screw	No Longer Available
61	Top Cover	No Longer Available
	Supply Cord Used On 60 Cycle Only (Not shown)	No Longer Available
	Ice Jamming Prevention Kit	7622003

MFD51

ILLUSTRATION 2



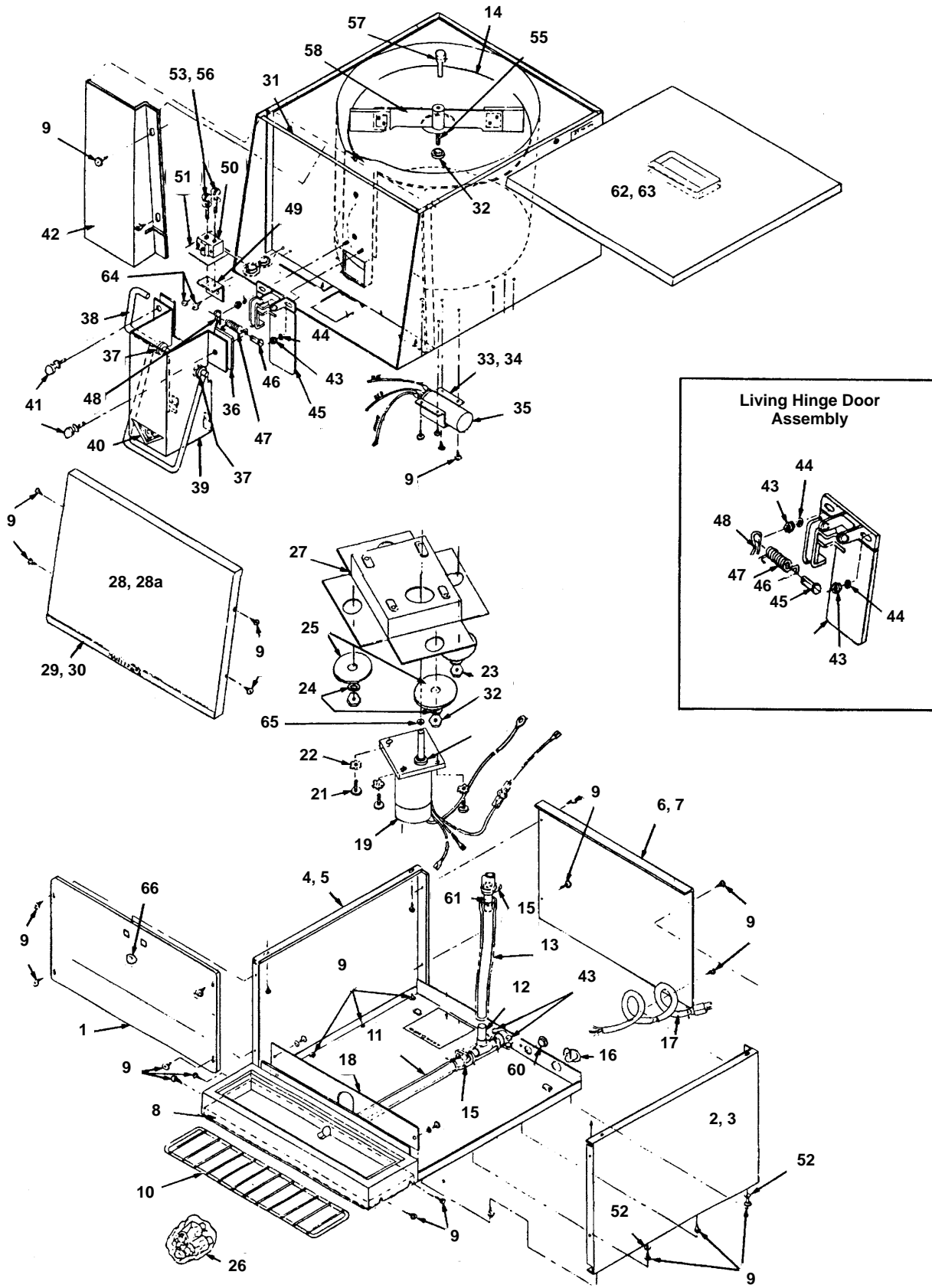
MFD51, CONTINUED

Following Parts used on MFD51 with SN 83020001 to 890761628 (see Illustration 2)

		PART NO.
1	Front Lower Panel, Stainless Steel	No Longer Available
2	Right Hand Lower Side Panel, Painted	No Longer Available
3	Right Hand Lower Side Panel, Stainless Steel	No Longer Available
4	Left Hand Side Panel, Painted	No Longer Available
5	Left Hand Lower Side Panel, Stainless Steel	No Longer Available
6	Lower Rear Panel, Painted	† 6579514
7	Lower Rear Panel, Stainless Steel	6579534
8	Melting Tray - Black	No Longer Available
9	#8 Sheet Metal Screw	† 5121539
10	Wire Grill	No Longer Available
11	Drain Tube, Melting Tray 19" Long	† 4420333
12	Drain Assembly, Melting Tray	No Longer Available
13	Drain Tube, 21" Long	† 4420333
14	Liner Disc	No Longer Available
15	Hose Clamp	† 5650649
16	Strain Relief Bushing	2512033
17	Supply Cord, 60 Cycle Only	No Longer Available
18	Drain Pan Cover	No Longer Available
19	Gear Motor, 60 Cycle Markly (Before SN 83071568)	No Longer Available
19a	Gear Motor, 60 Cycle Howard (After SN 83071568)	No Longer Available
20	Gear Motor, 50 Cycle Markly (Before SN 83071568)	No Longer Available
20a	Gear Motor, 50 Cycle Howard (After SN 83071568)	No Longer Available
21	10-24 x 5/8 Machine Screw	No Longer Available
22	Lockwasher #10	† 5544649
23	Hex Nut, 1/4-20	† 5429529
24	Lockwasher, 1/4 Split	† 5545109
25	Washer	No Longer Available
26	Dispenser Legs (Pkg. of 4 legs)	No Longer Available
27	Mounting Bracket for Markly Gear Motor	No Longer Available
27a	Mounting Bracket for Howard Gear Motor	No Longer Available
28	Front Cover	No Longer Available
28a	Front Cover, Stainless Steel	No Longer Available
29	Trim (Manitowoc)	No Longer Available
30	Foam Tape, 20" Long (Mounting front cover trim)	† 9202129
31	Spacer	No Longer Available
32	Bushing	4301413
33	Capacitor Mounting Bracket	No Longer Available
34	Capacitor, For Markly Motor, 60 Cycle	† 8503423
35	Capacitor, For Howard Motor, 60 Cycle	No Longer Available
36	Ice Deflector	No Longer Available
37	Bearing	3730113
38	Activating Arm	No Longer Available
39	Ice Chute With Ice Label	No Longer Available
40	Ice Label	No Longer Available
41	Thumbscrew	† 5000013
42	Microswitch Cover	No Longer Available
43	#8-32 Hex Nut	† 5429069
44	Lockwasher #8	† 5544599
45	Spring Hinge or Cicolac Door - Replace With Living Hinge Door Assembly	7623733
46	Machine Screw, #8-32 x 1/2"	† 5026249
47	Hinge Spacer	No Longer Available
48	Ice Deflector	No Longer Available
49	Mounting Bracket (Microswitch)	No Longer Available
50	Microswitch	No Longer Available
51	Microswitch Insulator	6149614
52	#6 Lockwasher	No Longer Available
53	Machine Screw #6-32 x 1"	No Longer Available
54	Cleaning Instructions Label	8131113
55	Key Stock	† 3714023
56	#10 Split Lockwasher	† 5544649
57	Thumbscrew	No Longer Available
58	Ice Delivery Arm Up to SN 850165576	No Longer Available
	Ice Delivery Arm After SN 850165576	No Longer Available
59	Machine Screw, #10-32 x 1/2"	No Longer Available
60	Riv Nut	No Longer Available
61	Top Cover – Fawn	No Longer Available
62	Top Cover – Black	No Longer Available
63	Water Valve Kit	No Longer Available

MFD51, CONTINUED

ILLUSTRATION 3



MFD51, CONTINUED

Following Parts used on MFD51 Beginning with SN 890761629 (see Illustration 3)

PART NO.

1	Front Lower Panel, Stainless Steel	7623713
2	Right Hand Lower Side Panel, Painted	No Longer Available
3	Right Hand Lower Side Panel, Stainless Steel	No Longer Available
4	Left Hand Side Panel, Painted	No Longer Available
5	Left Hand Lower Side Panel, Stainless Steel	No Longer Available
6	Lower Rear Panel, Painted	† 6579514
7	Lower Rear Panel, Stainless Steel	6579534
8	Melting Tray - Black	No Longer Available
9	#8 Sheet Metal Screw	† 5121539
10	Wire Grill	No Longer Available
11	Drain Tube, Melting Tray 19" Long	† 4420383
12	Drain Assembly, Melting Tray	No Longer Available
13	Drain Tube, 21" Long	† 4420333
14	Liner Disc	No Longer Available
15	Hose Clamp	† 5650709
16	Strain Relief Bushing	2512033
17	Supply Cord, 60 Cycle Only	No Longer Available
18	Drain Pan Cover	No Longer Available
19	Gear Motor, 60 Cycle Howard	No Longer Available
20	Gear Motor, 50 Cycle Howard	No Longer Available
21	#10-24 x 5/8 Machine Screw	No Longer Available
22	Lockwasher #10	† 5544649
23	Hex Nut, 1/4-20	No Longer Available
24	Lockwasher, 1/4 Split	† 5545109
25	Washer	5573213
26	Dispenser Legs (Pkg. of 4 legs)	No Longer Available
27	Mounting Bracket for Gear Motor	No Longer Available
28	Front Cover	No Longer Available
28a	Front Cover, Stainless Steel	No Longer Available
29	Trim (Manitowoc)	No Longer Available
30	Foam Tape, 20" Long (Mounting front cover trim)	† 9202129
31	Ice Deflector	No Longer Available
32	Shaft Seal (Rubber boot)	No Longer Available
33	Capacitor Mounting Bracket, 60 Cycle	No Longer Available
34	Capacitor Mounting Bracket, 50 Cycle	No Longer Available
35	Capacitor, For Howard Motor, 60 Cycle	No Longer Available
36	Ice Deflector	No Longer Available
37	Bearing	3730113
38	Activating Arm - Used Up To SN 891161184	No Longer Available
38	Activating Arm - After SN 891161184 Use	No Longer Available
39	Ice Chute	No Longer Available
40	Ice Label	No Longer Available
41	Thumbscrew	† 5000013
42	Microswitch Cover	No Longer Available
43	#8-32 Hex Nut	† 5429069
44	Lockwasher #8	No Longer Available
45	Ice Door w/Molded Hinge	4301763
46	Pin - Spring Core	4301933
47	Spring - Torsion	3300143
48	Clip - Pin Retainer	† 3712031
49	Mounting Bracket (Microswitch)	No Longer Available
50	Microswitch	No Longer Available
51	Microswitch Insulator	6149614
52	#6 Lockwasher	No Longer Available
53	Machine Screw #6-32 x 1"	No Longer Available
54	Cleaning Instructions Label	8131113
55	Key Stock	† 3714023
56	#10 Split Lockwasher	† 5544649
57	Thumbscrew	No Longer Available
58	Ice Delivery Arm	No Longer Available
59	Rubber Bumper	† 4300049
60	Hole Plug 7/8"	4301463
61	Tube 5/8 x 23/16	No Longer Available
62	Top Cover Fawn	No Longer Available
63	Top Cover Black	No Longer Available
64	Screw, #8-15 x 1/2	No Longer Available
65	Nylon Washer 0.195 ID x 0.375 OD	No Longer Available
66	Water Valve Complete Installation Kit (Not shown)	No Longer Available
67	Replacement Water Valve Only	† 202FN1101

INTENTIONALLY LEFT BLANK

† Refer to Cross Reference Guide

