



Ice Machine Parts List for MDB290 Series Dispenser Models

MDB290

MDB291

Manufactured August 1968 through May 1988

**The only parts available for replacement are listed.
Parts not list are no longer available.**

MDB290
UP TO SN 82015260

| GEAR DRIVE GROUP | PART NO. |
|--|---------------------|
| 1/3 H.P. Gear Drive Motor | No Longer Available |
| Lower Bearing Housing Assembly (With shaft) | 150401 |
| AUGER GROUP | |
| Auger Assembly (3")..... | † 4800041 |
| Ice Chute Assembly (For 3" auger) | † 6819714 |
| Flat Washer #8 | † 5504269 |
| Wing Nut #8-32 (For 3" ice chute) | † 5489139 |
| CONTROL GROUP | |
| Push Button Microswitch (Ice and water) | † 2301063 |
| Manual Water Dispenser Valve (Water trigger) | † 202FN1101 |
| Solenoid Valve (Water)..... | 2404051 |
| Contactora (For push button microswitch) Replaced by Mercury Relay, 120V | No Longer Available |
| CABINET GROUP | |
| Foam Tape 9 Ft. (On trim frame top) | † 9202489 |
| Trim Frame Cube Tray | 126051 |
| Access Door Gasket..... | † 9202509 |
| Wing Nut #8-32 (Mounting 126169 to liner) | † 5489139 |
| Stainless Steel Front Panel. | 6816524 |
| Front & Rear Panel Brass Stud (Mounting panels to base) | † 5013089 |
| Front & Rear Panel Washer (Mounting panels to base)..... | † 5544599 |
| Front & Rear Panel Nut (Mounting panels to base) | † 5429069 |
| Front Panel Mounting Stud Brass..... | † 5013089 |
| Front Panel Mounting Stud Nut | † 5429069 |
| Front Panel Mounting Stud Washer | † 5544599 |

**MODEL MDB291
STARTING WITH SN 82015260**

| GEAR DRIVE & AUGER GROUP | PART NO. | ILLUSTRATION |
|--|---------------------|---------------------|
| 1/3 H.P. Gear Drive Motor, 60 Hz. | No Longer Available | 1 |
| Lower Bearing Housing Assembly (With shaft) | 150401 | 2 |
| After SN 851264271 Use Pin. | 3710323 | |
| After SN 851264271 Use Screw | † 5032369 | |
| After SN 851264721 Use Washer | † 5545119 | |
| Bearings for Lower Bearing Assembly. | 3730031 | 2 |
| Lockwasher (Mounting lower bearing housing assembly) | † 5545149 | 2 |
| Auger Assembly. | † 4800041 | 2 |
| Wing Nut 38-32 (For ice chute) | † 5489139 | 1 |

CONTROL GROUP FOR TRIGGER ICE & WATER

| | | |
|---|---------------------|---|
| Manual Water Dispensing Valve (Water trigger) Without Cover | † 202FN1101 | 1 |
| Cover for Part No. 202FN1101 | No Longer Available | 1 |
| Contactor - Mercury Relay, 120V* | † 7621923 | 1 |
| Wing Nut (Mounting Water Regulator) | † 5489139 | 1 |

CONTROL GROUP FOR PUSH BUTTON WATER

| | | |
|--|---------------------|-----------|
| Manual Push Button Actuator & Bracket | No Longer Available | Not Shown |
| Actuator Bracket | No Longer Available | Not Shown |
| Mounting Screws (For switch box cover - 2 per) | † 5121539 | Not Shown |
| Coupling Half Union. | 1332011 | Not Shown |
| 8-32 Stainless Steel Wing Nut | † 5489139 | Not Shown |
| Water Solenoid Valve. | 2404051 | Not Shown |

CABINET GROUP

| | | |
|---|-----------|---|
| Top Cover Mounting Screw | † 5121539 | 1 |
| Lower Front Panel (Painted) | 6831514 | 1 |
| Back Panel (Painted) | 6831014 | 1 |
| Foam Tape 9' | † 9202489 | 1 |
| Stainless Steel Panel, Less Soda Heads & Ice Chute. | † 7619563 | 1 |
| Access Door Tape, 4 Ft.* | † 9202509 | 1 |
| Water Inlet Adapter | 1706021 | 1 |
| Water Inlet Adapter Bushing, 5/8 OD x 3/8 ID | 1300011 | 1 |
| Water Inlet Adapter Bushing, 3/8 OD x 1/4 ID | 1300031 | 1 |
| Bin Condensate Tray Drain Tube, 21" Long | † 4420333 | 1 |
| Drain Line Connection 3" Long | † 4420333 | 1 |
| Melting Tank Drain Tube, 20" Long | † 4420333 | 1 |
| Hose Clamp | † 5650649 | 1 |
| 5/8" OD Water Drain Elbow | 1300471 | |

* The components are part of, or within item and illustration given. Not necessarily shown.

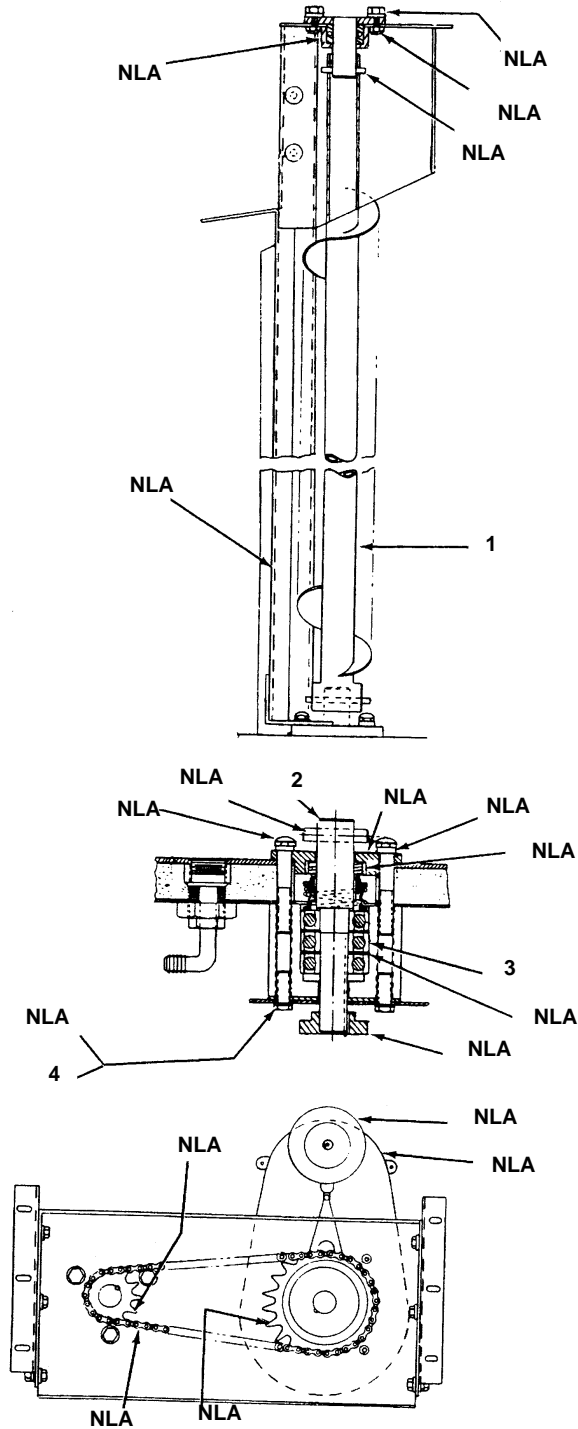
MDB291, CONTINUED

| Callous for Illustration 1 | | Part No. |
|-----------------------------------|--|---------------------|
| 1 | Rear Panel (Painted) | 6831014 |
| 2 | Lower Front Panel (Painted) | 6831514 |
| 3 | Top Cover Mounting Screw | † 5121539 |
| 4 | Stainless Steel Front Panel, Less Soda Heads & Ice Chute - for Cornelius | † 7619563 |
| 5 | Manual Water Dispensing Valve | † 202FN1101 |
| 6 | Cover (For manual water dispensing valve). | No Longer Available |
| 7 | Wing Nut, #8-32 (Mounting ice chute bracket to ice chute) | † 5489139 |
| 8 | 1/3 H.P. Gear Drive Motor, 60 Hz. | No Longer Available |
| 9 | Bin Condensate Tray Drain Tube, 21" Long. | † 4420333 |
| 10 | Drain Tube, 3" Long | † 4420333 |
| 11 | Melting Tank Drain Tube, 18" Long | † 4420333 |
| 12 | Bin Drain Tube, 38" Long | † 4420333 |
| 13 | Drain Tube Clamp | † 5650649 |
| 14 | Drain Elbow | 1300471 |
| 15 | Water Adapter, 1/2" NPT | 1706021 |
| 16 | Adapter Mounting Screw | † 5026249 |
| 17 | Adapter Mounting Hex Nut. | † 5429069 |
| 18 | Foam Tape, 9 Ft. | † 9202489 |
| 19 | Access Door Bin Liner Tape 4 Ft. Long* | † 9202489 |
| 20 | Bushing, 5/8" O.D. x 3/8" I.D | 1300011 |
| 21 | Bushing, 3/8" O.D. x 1/4" I.D | 1300031 |
| 22 | Water Adapter, 1/2" NPT | 1706021 |
| 23 | Wing Nut, #8-32 Stainless Steel. | † 5489139 |
| 24 | Contactora (60 cycle)* | † 7621923 |

* The components are part of, or within item and illustration given. Not necessarily shown.

MDB291, CONTINUED

ILLUSTRATION 2



Callouts for Illustration 2

| | PART NO. |
|--|-----------------|
| 1 Auger Assembly | † 4800041 |
| 2 Lower Bearing Housing Assembly with Shaft | 150401 |
| 3 Bearing for Lower Bearing Assembly (3 per) | 3730031 |
| 4 Lockwasher (Mounting lower bearing assembly) | † 5545149 |

* The components are part of, or within item and illustration given. Not necessarily shown.