



Manitowoc

Foodservice

HOW TO READ A MODEL NUMBER

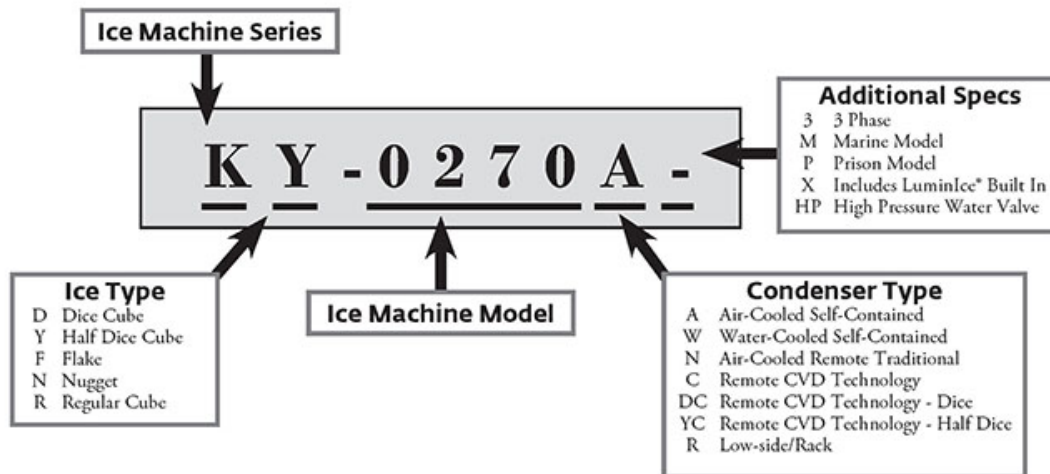
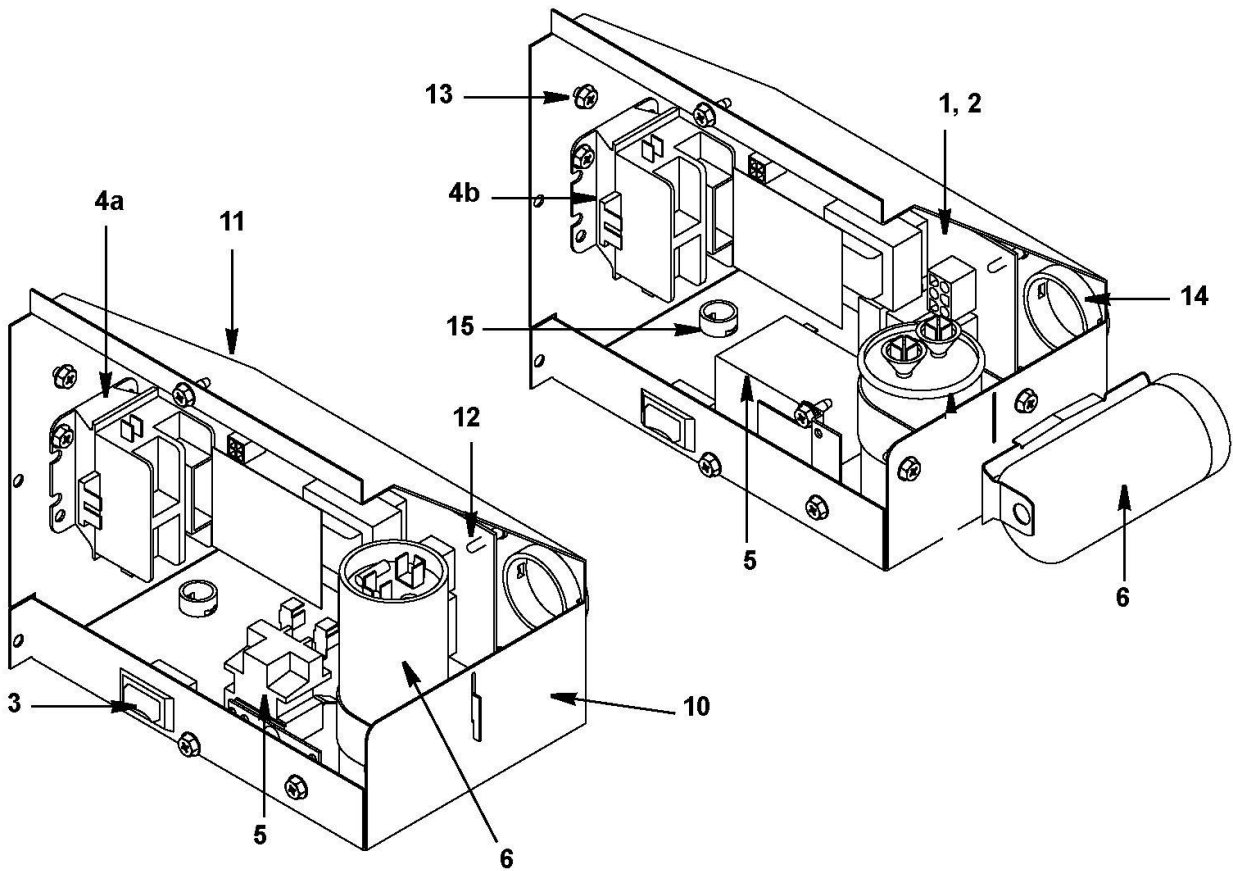


TABLE OF CONTENTS

K0270 UnderCounter	
Parts List	
K270 Control Box.....	1
K270 Evaporator Components.....	3
K270 Refrigeration Components.....	5
K270 Air-cooled Components.....	7
K270 Water-cooled Components.....	9
K270 Panels.....	11

K0270 UnderCounter

K270 Control Box



Parts List

K270 Control Box

K0270 UnderCounter

K270 Control Box

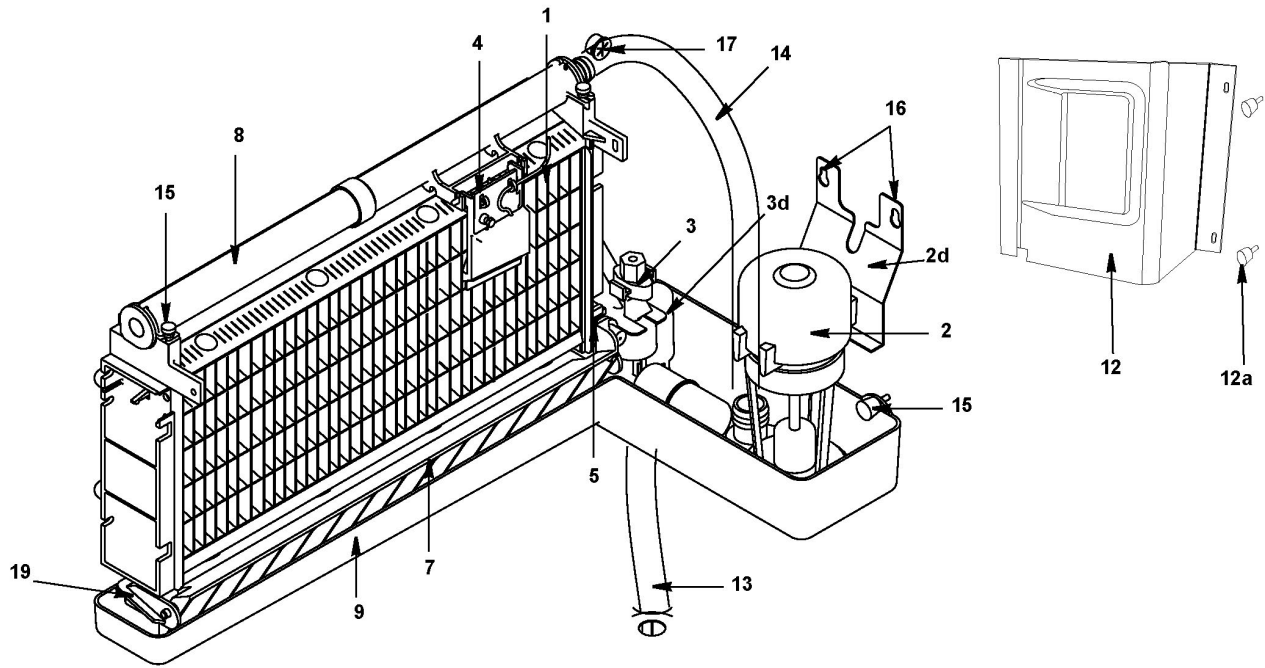
#	PART #	DESCRIPTION	QTY	Note
1	7629073	Control Board		
2	2511493	10 Amp Fuse		
3	2301513	Toggle Switch		
3a	2032483	Wiring Harness - Toggle Switch		
4		Contactora		
4a	2006569	Contactora - 115V/60 Hz/1 Ph		
4b	2006579	Contactora - 230V/50-60 Hz/1 Ph		
5		Start Relay		
5a	2002053	Start Potential Relay - 115V/60 Hz/1 Ph		
5b	2002103	Start Potential Relay - 230V/50-60 Hz/1 Ph		
6		Start Capacitor		
6a	8505773	Start Capacitor - 115V/60 Hz/1 Ph		
6b	000000022	Start Capacitor		[1]
8		Wiring Harness		
8a	040000907	Wiring Harness - Air-cooled		
8b	040000906	Wiring Harness - Water-Cooled		
8c	2007003	Wiring Harness - Ice Thickness Control Probe		
9		Power Cord		
9a	040001257	Power Cord - 115V/60 Hz		
9b	2002163	Power Cord - 230V/60 Hz		
9c	000000082	Power Cord - 230V/50 Hz		
10	000001358	Control Box		
11	000001359	Control Box Cover		
12	4302253	Control Board Mounting Supports		
13	5202323	Screw		
13a	5573203	Lockwasher, #10		
14	2500139	Bushing - 1.5"		
15	2502189	Bushing - 0.625"		

PART NOTES:

[1] - 230V/50-60 Hz/1 Ph

K0270 UnderCounter

K270 Evaporator Components



Parts List

K270 Evaporator

K0270 UnderCounter

K270 Evaporator Components

#	PART #	DESCRIPTION	QTY	Note
1		Evaporator Assembly		
1a	7629549	Evaporator - Regular Cube		
1b	7629559	Evaporator - Dice Cube		
1c	7629569	Evaporator - Half Dice Cube		
2		Water Pump		
2a	7623063	Water Pump - 115V/60 Hz		
2b	7626013	Water Pump - 230V/50-60 Hz		
2c	040000945	Water Pump - 230V/50-60 Hz		
2d	040001514	Water Pump Mounting Plate		
3	8369049	Float Valve Assembly		
3a	8369069	Float Valve Screen		
3b	8369089	Float Valve Plunger		
3c	5650729	Compression Nut		
3d	7621403	Bracket		
4	7601603	Ice Thickness Control Probe Assembly w/14.0' Lead		
5	7601613	Magnetic Bin Switch		
6	7620543	Water Flow Clamp - Use on Regular Cube Evap. Only		
7	7600483	Ice Damper		
7a	7629093	Ice Damper Magnet and Cap		
8	040002531	Water Distribution Tube - UnderCounters		
9	040001251	Water Trough		
10	4420291	Vinyl Tube - 0.25" OD		
11	4302223	Siphon Cap		
12	000006754	Water Pump Cover		
12a	040001217	Thumbscrew - #8-32 x 0.625"		
13	040001219	Drain Tube		
14	040001234	Tubing		
15	040001217	Thumbscrew - #8-32 x 0.625"		
16	5202069	Screw - #10-24 x 0.50" HEX		
17	2500169	Bushing - 0.91" OD x 0.44" ID		
18		Water Pump Lead		
18a	2078063	Water Pump Lead - 115V/60 Hz		
18b	040000847	Water Pump Lead - 208-230V/50-60 Hz		
19	040001766	Evaporator Frame Assembly		

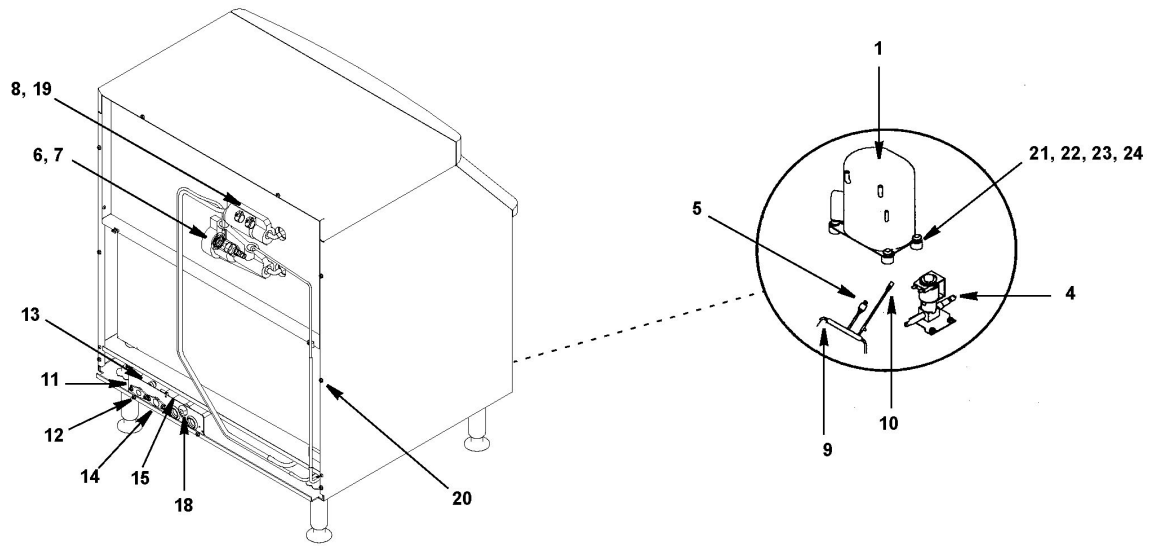
Parts List

K270 Evaporator



K0270 UnderCounter

K270 Refrigeration Components



Parts List

K270 Refrigeration



K0270 UnderCounter

K270 Refrigeration Components

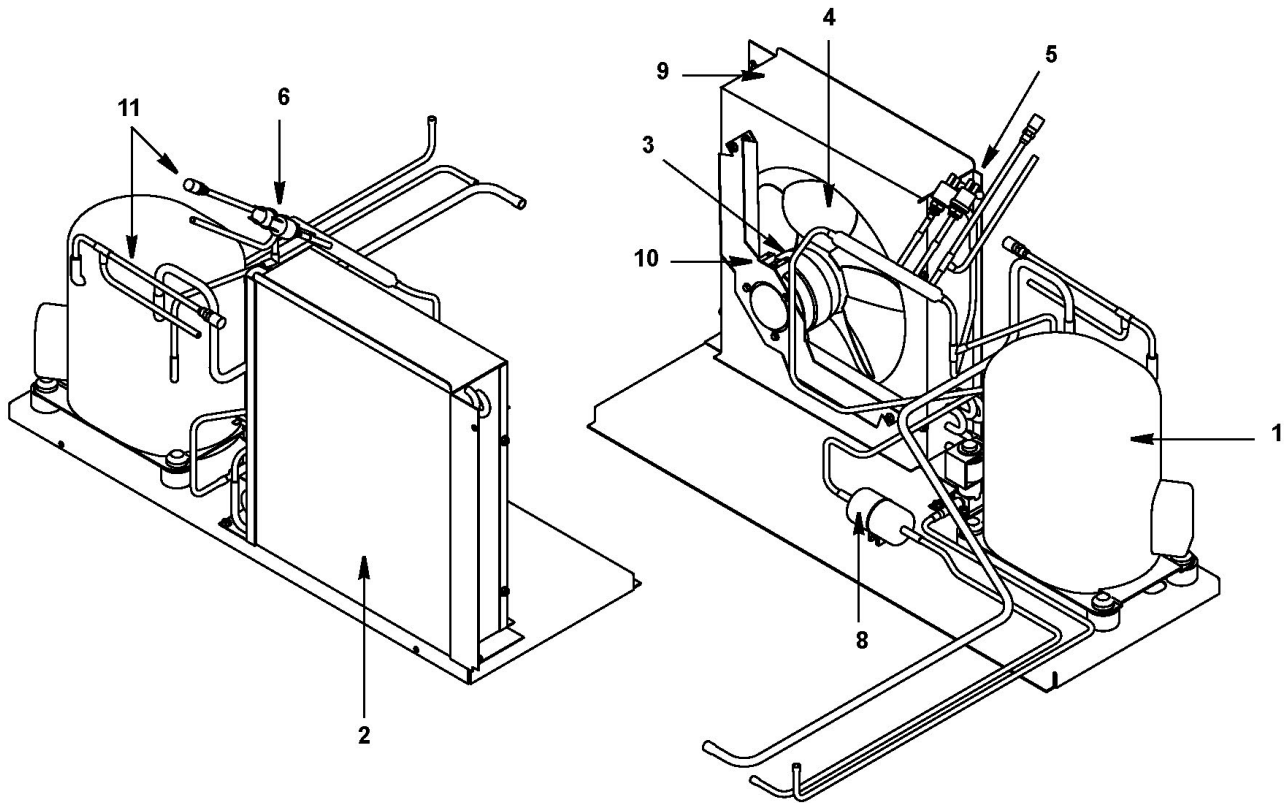
#	PART #	DESCRIPTION	QTY	Note
1	7601363	Compressor - Danfoss - 115V/60 Hz/1 Ph		
1a	2002053	Start Potential Relay - 115V/60 Hz/1 Ph		
1b	8505773	Start Capacitor - 115V/60 Hz/1 Ph		
2	7601373	Compressor - Danfoss - 230V/50 Hz/1 Ph		
2a	2002103	Start Potential Relay - 230V/50-60 Hz/1 Ph		
2b	000000022	Start Capacitor		
4		Harvest Valve		
4a	040001075	Solenoid Valve Including 115V/60 Hz Electrical Coil		
4a	040000101	Hot Gas Valve Coil Only 115/60/1 Ph		
4b	040001071	Solenoid Valve Including 208-230V/50-60 Hz Electrical Coil		
4b	040000103	Hot Gas Valve Coil Only 230V/50-60 Hz/1 Ph		
4c	040000672	Bracket		
5	2001243	HPCO		
6	7602893	Expansion Valve		
7	4007213	Valve Insulation Boot - Body		[1]
7a	4000363	Valve Insulation Boot - Body		[2]
8	4007203	Valve Insulation Boot - Bulb		[3]
9	8251063	Manifold Strainer		
10	8373253	Access Valve		
11	6034601	Coupling Panel - Water/Electrical		
12	8706093	Female Wing Adapter - 0.375"		
13	1360961	Male Connector		
14	8706133	Female Wing Adapter - 0.50"		
15	4421463	Bin Drain Tubing		
16	5650649	Spray Bar Clamp		
17	4420291	Vinyl Tube - 0.25" OD		
18	2502283	Strain Relief		
19	5650529	Clamp - Expansion Valve Bulb		
20	5202069	Screw - #10-24 x 0.50" HEX		
21	8503069	Mounting - Rubber Grommet		
22	5573099	Mounting - Flatwasher		
23	5037709	Foundation Mounting Bolt		
24	8503949	Mounting - Sleeve		

PART NOTES:

- [1] - \400721_07.jpg" width=2913 height=1451>
- [2] - \400036_05.jpg" width=2436 height=1463>
- [3] - \pages from 400720_08.jpg" width=923 height=583>

K0270 UnderCounter

K270 Air-cooled Components



Parts List

K270 Air-cooled

K0270 UnderCounter

K270 Air-cooled Components

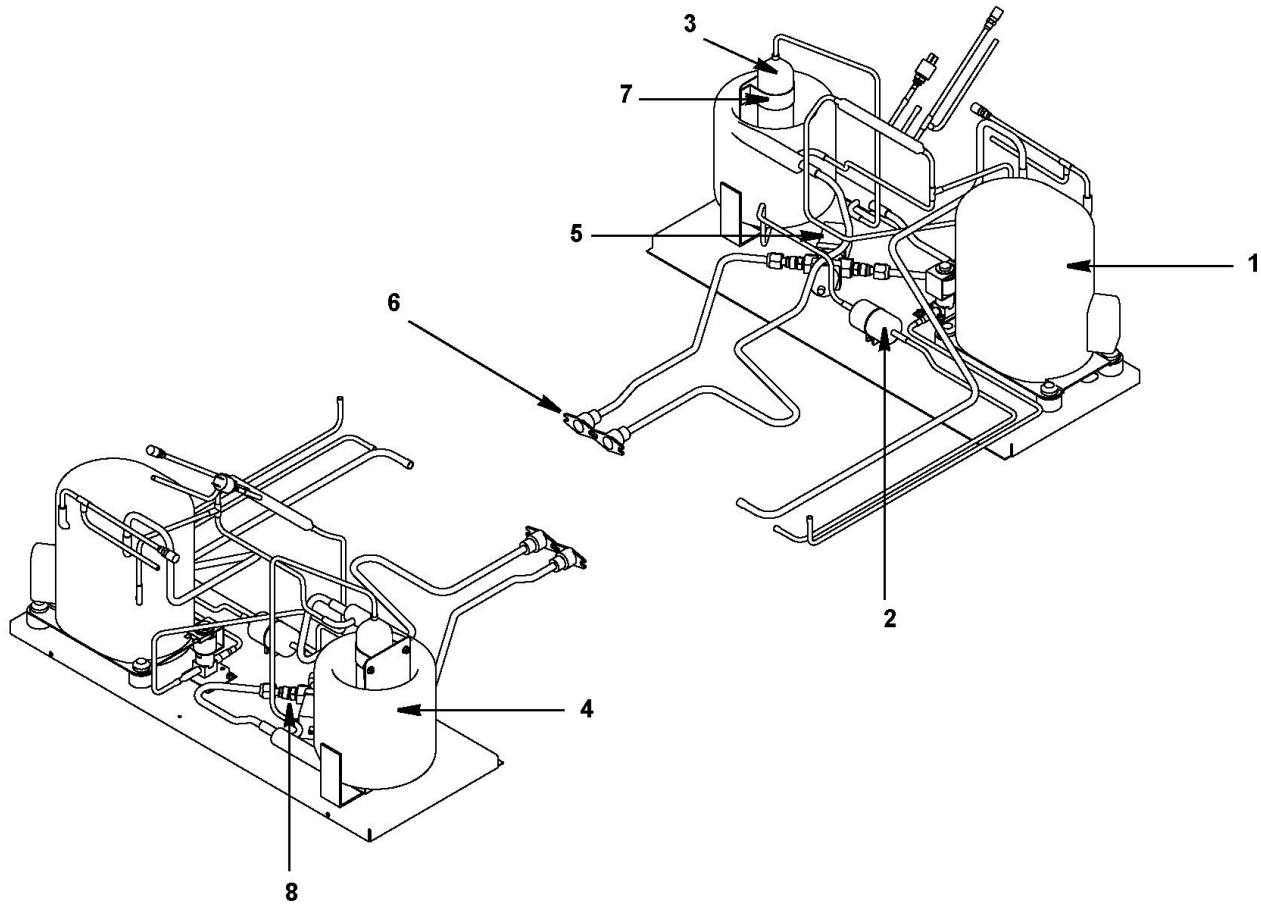
#	PART #	DESCRIPTION	QTY	Note
1		Compressor - See Refrigeration Page		
2	8851383	Air Condenser		
3		Fan Motor		
3a	040004165	Fan Motor - 115V/60 Hz		
3b	040004166	Fan Motor - 208-230V/50-60 Hz		
4	2416223	Fan Blade		
5	2001263	Fan Cycling Control - 200-250 psig		[1]
6	2001243	HPCO		
7	040003921	Air Filter		
8	8930259	Drier		
9	6034591	Fan Shroud		
10	6027431	Fan Motor Mounting Bracket		
11	8373253	Access Valve		

PART NOTES:

[1] - \pages from 200126_09.jpg" width=150 height=306>

K0270 UnderCounter

K270 Water-cooled Components



Parts List

K270 Water-cooled

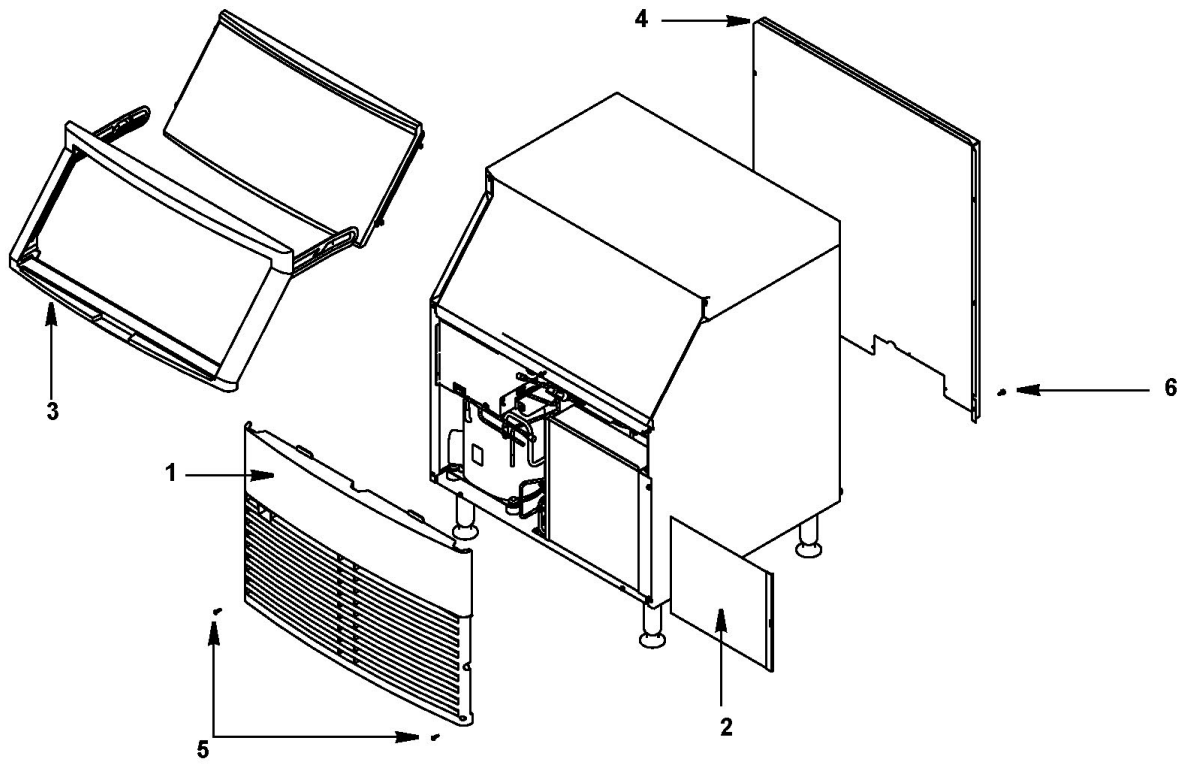
K0270 UnderCounter

K270 Water-cooled Components

#	PART #	DESCRIPTION	QTY	Note
1		Compressor - Refer to Refrigeration Page		
2	8930259	Drier		
3	000008892	Receiver		
4	8865313	Water-cooled Condenser		
5	8372103	Water Regulating Valve		
6	8706103	Adapter - 0.5" NPT x 0.375" ODF		
7	6001891	Receiver Strap		
8	8332023	Coupling - 0.375" MF x 0.375" NPT Brass		

K0270 UnderCounter

K270 Panels



Parts List

K270 Panels

K0270 UnderCounter

K270 Panels

#	PART #	DESCRIPTION	QTY	Note
1	040003920	Front Panel Assembly		
2	040003921	Air Filter		
3	040003919	Bin Door & Door Frame Assembly		
3a	040003918	Bin Door w/Pins		
3b	040003917	Door Frame w/Screws		[1]
3c	000006837	Door Pin Sleeve		
3b	5000343	Screw - #8-18 x 0.625" SSDoor Frame		
4	6034671	Back Panel, Upper		
5	5202239	Front Cover Screw		
6	5202069	Screw - #10-24 x 0.50" HEX		
7	3302603	Ice Scoop		
8	K00151	Legs - 6"		
9		Cartoning		

PART NOTES:

[1] - Includes Door Tracks