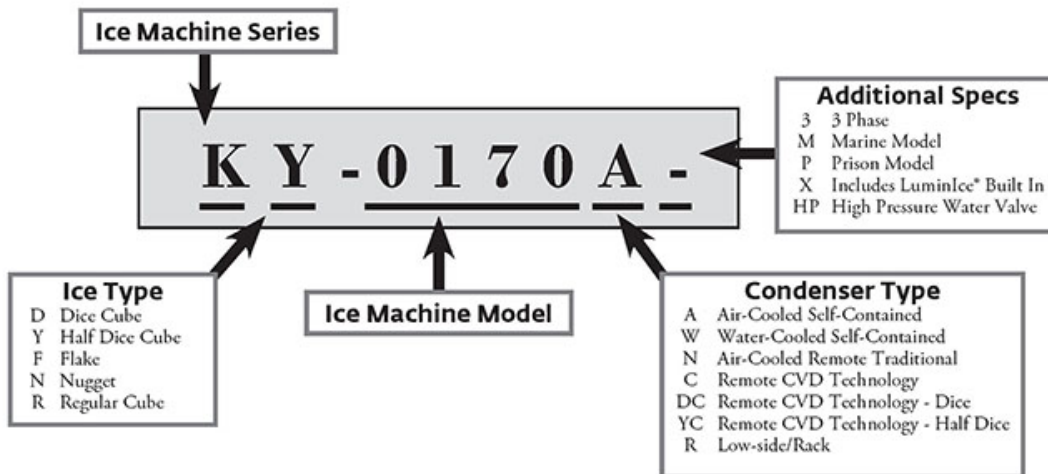




HOW TO READ A MODEL NUMBER

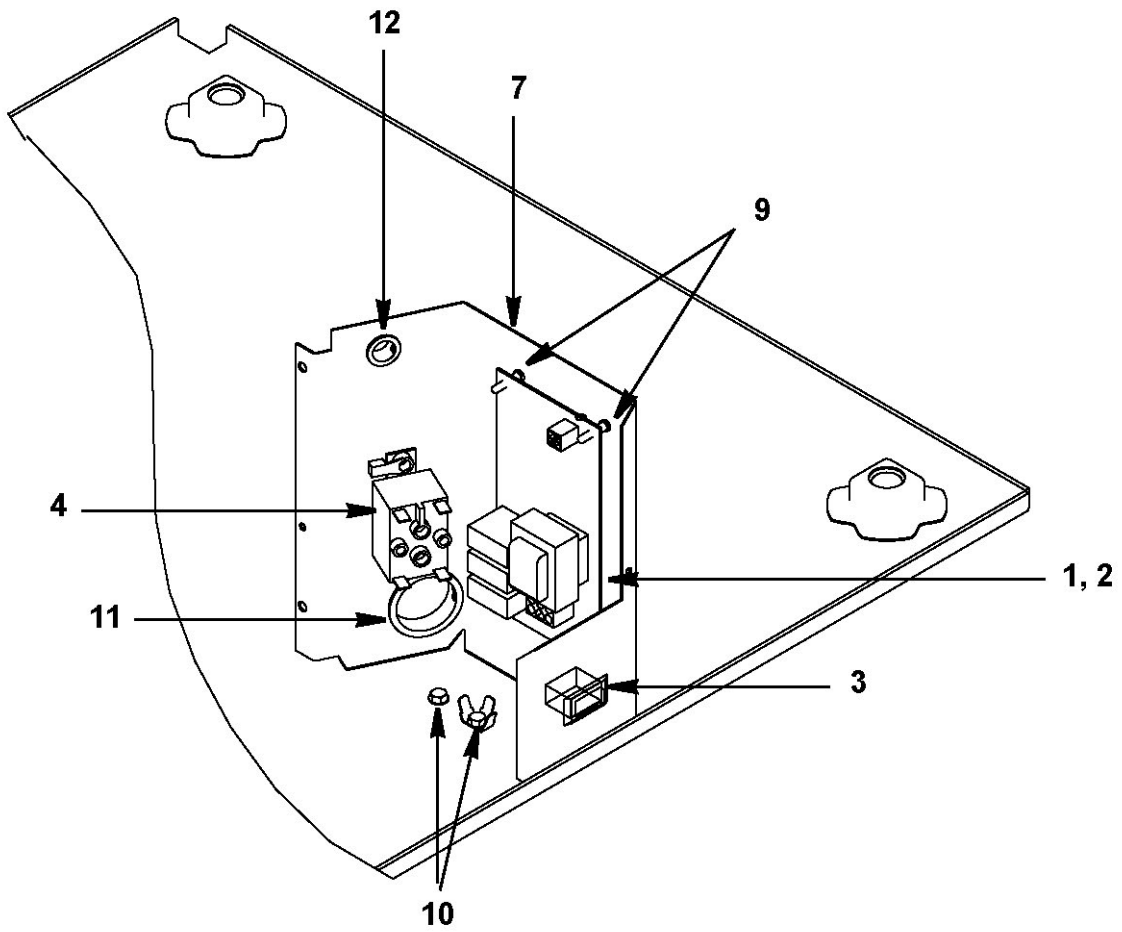


# TABLE OF CONTENTS

K0170 UnderCounter Parts List	
K170 Control Box.....	1
K170 Evaporator Components.....	3
K170 Refrigeration Components.....	5
K170 Air-cooled Components.....	7
K170 Panels.....	9

# K0170 UnderCounter

## K170 Control Box



---

### Parts List

K170 Control Box

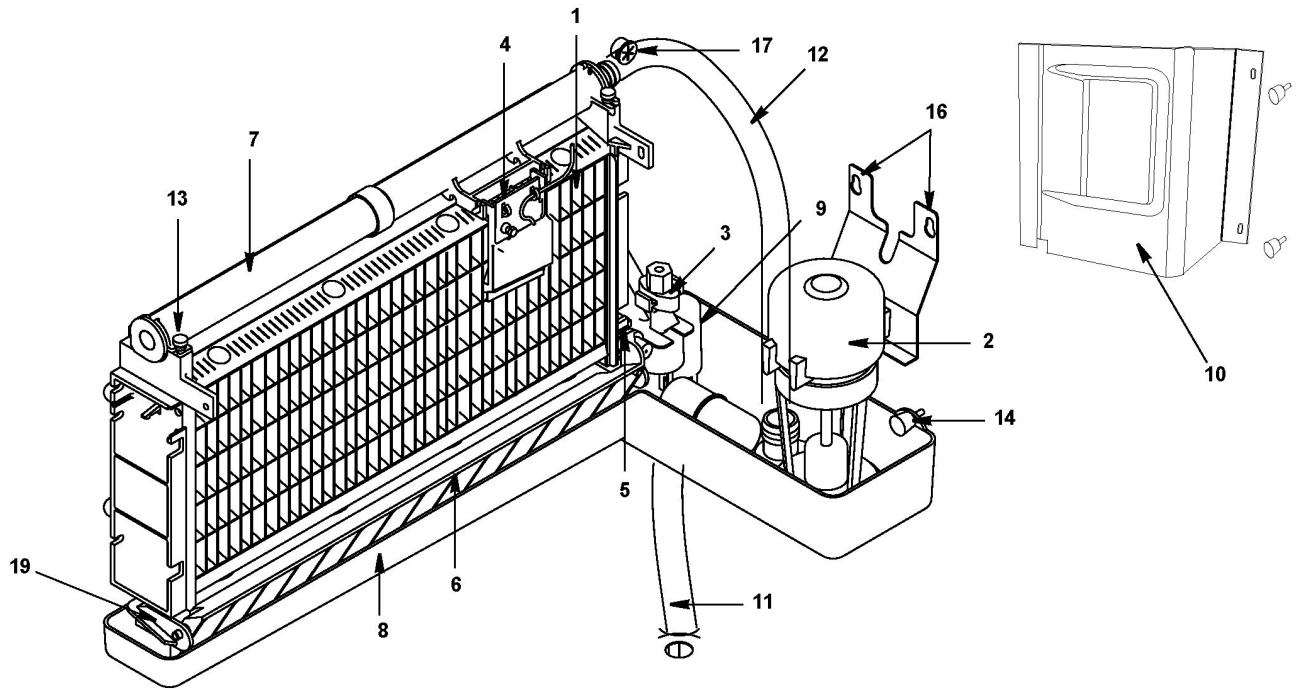
# K0170 UnderCounter

## K170 Control Box

#	PART #	DESCRIPTION	QTY	Note
1	7629073	Control Board		
2	2511493	10 Amp Fuse		
3	2301513	Toggle Switch		
3a	2032483	Wiring Harness - Toggle Switch		
4		Contactator		
4a	2006569	Contactator - 115V/60 Hz/1 Ph		
5		Wiring Harness		
5a	2002183	Wiring Harness - Air-cooled		
5b	2002193	Wiring Harness - Water-cooled		
5c	2007013	Wiring Harness - Ice Thickness Control Probe		
6		Power Cord		
6a	2006863	Power Cord - 115V/60 Hz		
7	6046931	Control Box		
8	7629083	Control Box Cover		
9	4302253	Control Board Mounting Supports		
10	5202323	Screw		
10a	5573203	Lockwasher, #10		
11	2500139	Bushing - 1.5"		
12	2502189	Bushing - 0.625"		

# K0170 UnderCounter

## K170 Evaporator Components



---

### Parts List

K170 Evaporator

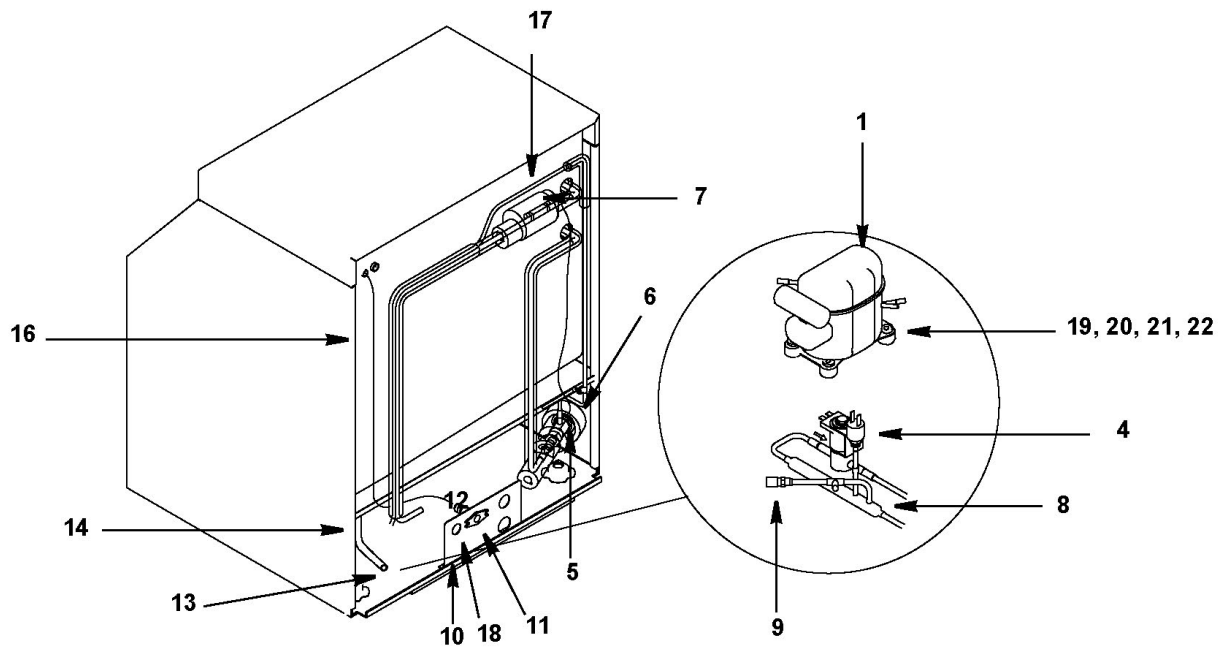
# K0170 UnderCounter

## K170 Evaporator Components

#	PART #	DESCRIPTION	QTY	Note
1		Evaporator Assembly		
1a	7629559	Evaporator - Dice Cube		
1b	7629569	Evaporator - Half Dice Cube		
2		Water Pump		
2a	7623063	Water Pump - 115V/60 Hz		
3	8369049	Float Valve Assembly		
3a	8369069	Float Valve Screen		
3b	8369089	Float Valve Plunger		
3c	5650729	Compression Nut		
3d	7621403	Bracket		
4	7601603	Ice Thickness Control Probe Assembly w/14.0' Lead		
5	000007337	Magnetic Bin Switch		
6	7600483	Ice Damper		
6a	7629093	Ice Damper Magnet and Cap		
7	040002531	Water Distribution Tube - UnderCounters		
8	040001251	Water Trough		
9	4302223	Siphon Cap		
10	000006754	Water Pump Cover		
10a	040001217	Thumbscrew - #8-32 x 0.625"		
11	7600853	Drain Tube		
12	040001234	Tubing		
13	5305113	Screw, #8-32 x 0.63 Nylon Water Distribution Tube Mounting		
14	040001217	Thumbscrew - #8-32 x 0.625"		
15	5202189	Screw - #10-24 x 0.75"		
16	5202069	Screw - #10-24 x 0.50" HEX		
17	2500169	Bushing - 0.91" OD x 0.44" ID		
18	2078063	Water Pump Lead - 115V/60 Hz		
19	040001766	Evaporator Frame Assembly		

# K0170 UnderCounter

## K170 Refrigeration Components



---

### Parts List

K170 Refrigeration



# K0170 UnderCounter

## K170 Refrigeration Components

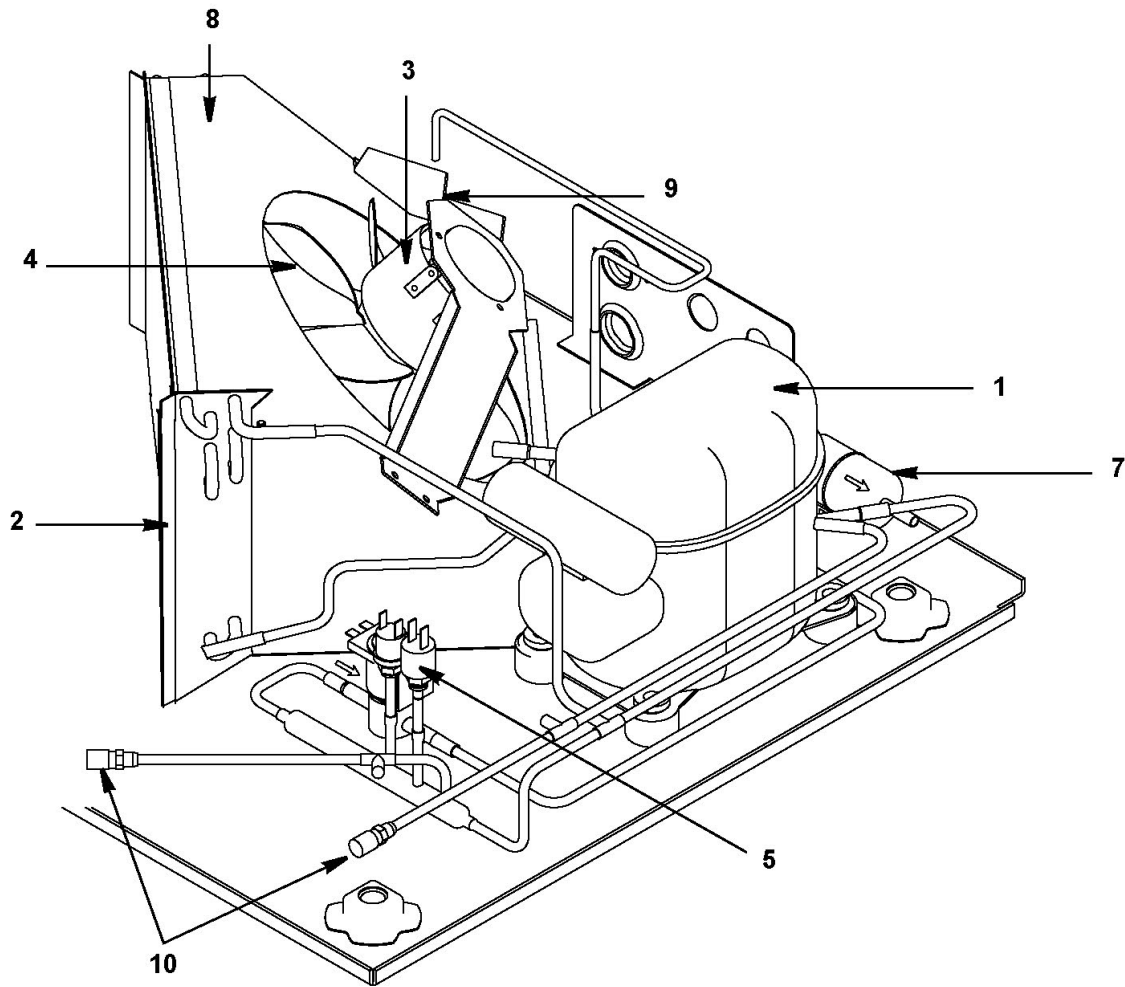
#	PART #	DESCRIPTION	QTY	Note
1	040002765	Compressor - Danfoss - 115V/60 Hz/1 Ph		
2		Start Components		
2a	000002899	Current Relay with Overload - 115V/60 Hz/1 Ph		
2b	000002901	Start Capacitor - 115V/60 Hz/1 Ph		
3		Harvest Valve		
3a	040000689	Hot Gas Valve 115/60/1 Ph		
3b	040000101	Hot Gas Valve Coil Only115/60/1 Ph		
3c	040000104	Bracket - Harvest Valve		
4	2001243	HPCO		
5	040001073	Expansion Valve		
6	4000363	Valve Insulation Boot - Body		[1]
7	4007203	Valve Insulation Boot - Bulb		[2]
8	8251063	Manifold Strainer		
9	8373253	Access Valve		
10	6026821	Coupling Panel		
11	8706093	Female Wing Adapter - 0.375"		
12	1360961	Male Connector		
13	8706133	Female Wing Adapter - 0.50"		
14	4420983	Bin Drain Tubing		
15	5650649	Spray Bar Clamp		
16	4420291	Vinyl Tube - 0.25" OD		
17	5650529	Clamp - Expansion Valve Bulb		
18	5202069	Screw - #10-24 x 0.50" HEX		
19	8503069	Mounting - Rubber Grommet		
20	5573099	Mounting - Flatwasher		
21	5037709	Foundation Mounting Bolt		
22	8503949	Mounting - Sleeve		

### PART NOTES:

- [1] - \400036\_05.jpg" width=2436 height=1463>
- [2] - \pages from 400720\_08.jpg" width=923 height=583>

# K0170 UnderCounter

## K170 Air-cooled Components



---

### Parts List

K170 Air-cooled

# K0170 UnderCounter

## K170 Air-cooled Components

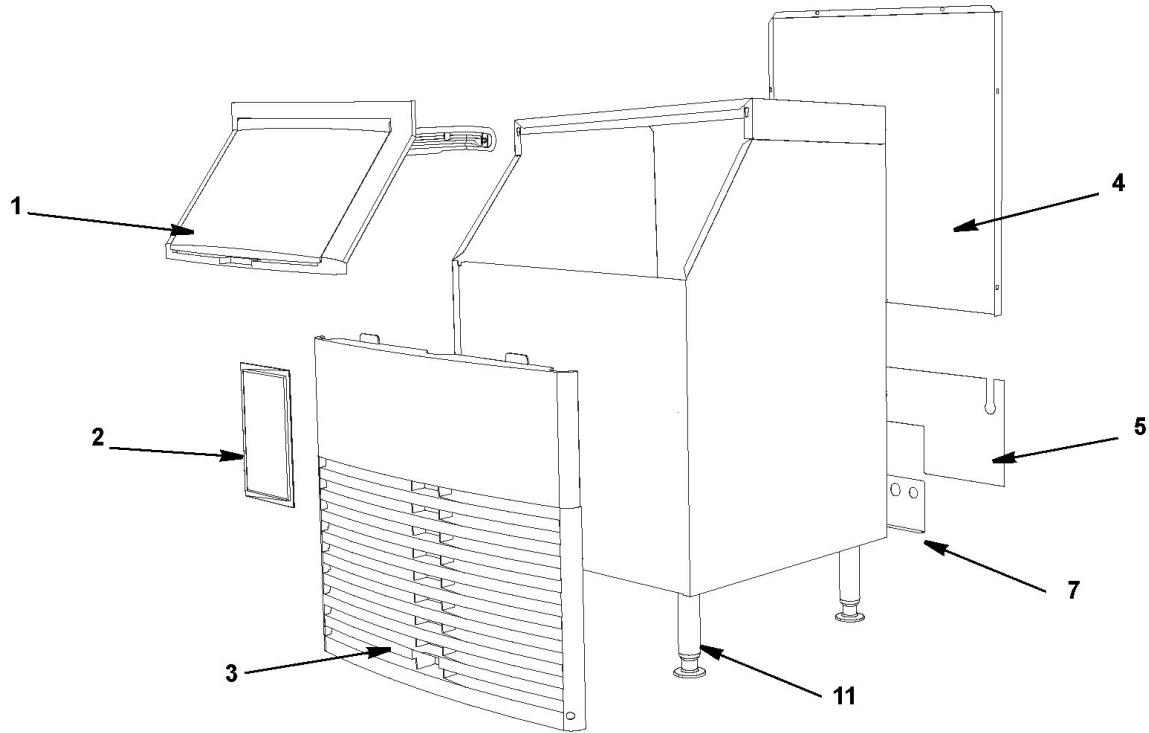
#	PART #	DESCRIPTION	QTY	Note
1		Compressor - See Refrigeration Page		
2	8851373	Air Condenser		
3		Fan Motor		
3a	2000223	Fan Motor - 115V/60 Hz		
3b	2000219	Fan Motor - 208-230V/50-60 Hz		
4	3005653	Fan Blade		
5	2001273	Fan Cycling Control - 225-275 psig		[1]
6	040003916	Air Filter		
7	8930259	Drier		
8	6026851	Fan Shroud		
9	6027431	Fan Motor Mounting Bracket		
10	8373253	Access Valve		

**PART NOTES:**

[1] - \pages from 200126\_09.jpg" width=170 height=228>

# K0170 UnderCounter

## K170 Panels



---

### Parts List

K170 Panels

# K0170 UnderCounter

## K170 Panels

#	PART #	DESCRIPTION	QTY	Note
1	040003914	Bin Door & Door Frame Assembly		[1]
1a	040003913	Bin Door w/Pins		
1b	040003912	Door Frame w/Screws		[2]
1c	000006837	Door Pin Sleeve		
1d	5000343	Screw - #8-18 x 0.625" SSDoor Frame		
2	040003916	Air Filter		
3	040003915	Front Panel Assembly		
4	6026801	Back Panel, Upper		
5	6033501	Back Panel, Lower		
6	3302603	Ice Scoop		
7	6026821	Coupling Panel		
8	5202239	Front Cover Screw		
9	5202069	Screw - #10-24 x 0.50" HEX		
11	K00151	Legs - 6"		
12	040003942	Cartoning		

**PART NOTES:**

- [1] - Includes Door Tracks, Pins Screws
- [2] - Includes Door Tracks