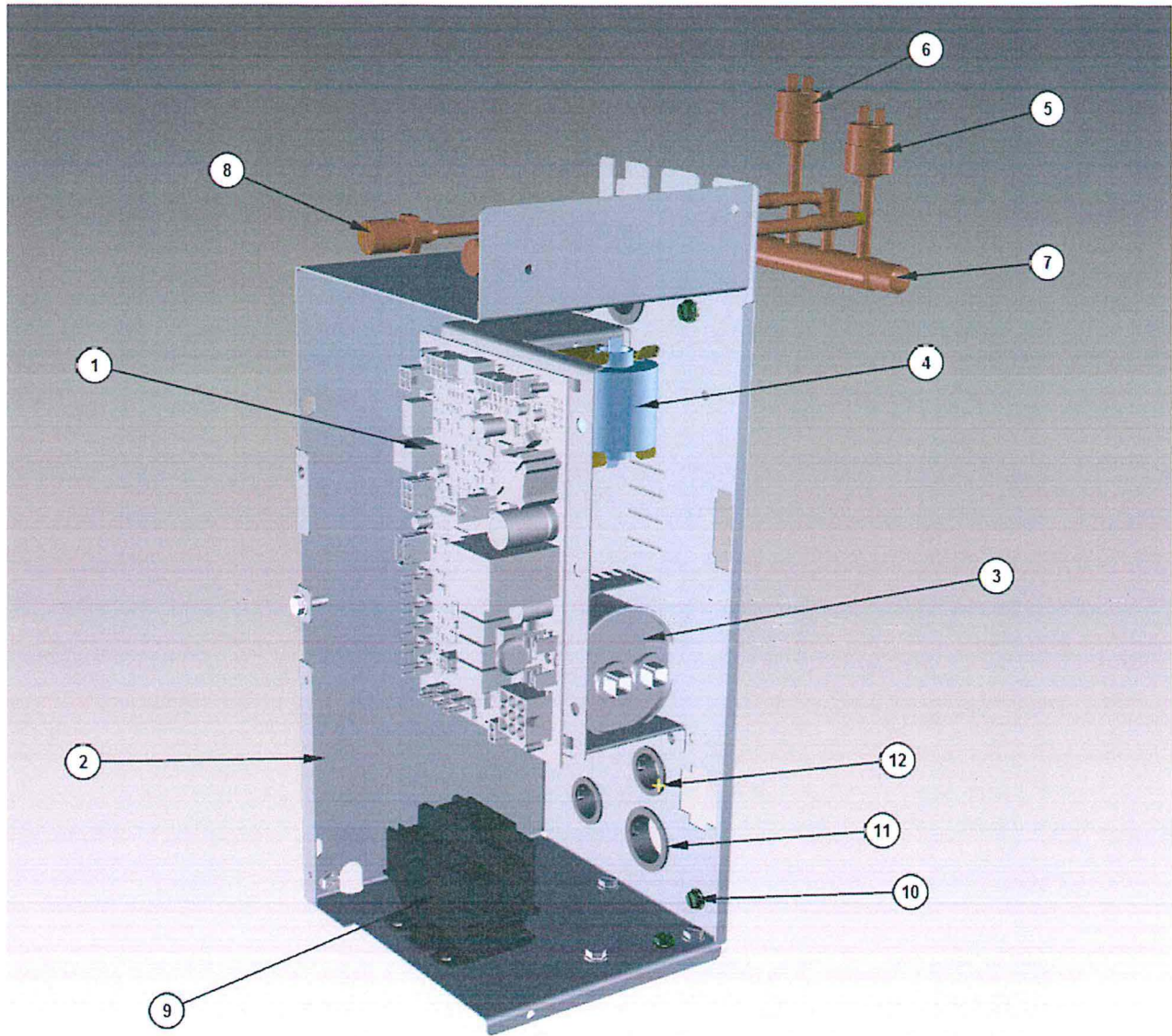


# iT0500, iP0500 Indigo NXT, JCT0500

## iT0500, iP0500 - Control Box



# iT0500, iP0500 Indigo NXT, JCT0500

## iT0500, iP0500 - Control Box

#	PART #	DESCRIPTION	QTY	Note
1	000015208	Control Board		
1a	000015009	Ceramic Fuse - 6.3A		
2	000013818	Control Box		
2a	000012138	Control Box Cover		
2b	000007564	Control Board Mounting Bracket		
2c	4302253	Control Board Mounting Supports		
3		Compressor Run Capacitor		
3a	000010708	Run Capacitor - 115-230V/50-60 Hz/1 Ph		[1]
3b	000010715	Run Capacitor - 230V/50-60 Hz/1 Ph		[2]
3a	000011640	Run Capacitor - 230V/50-60Hz/1 Ph		[3]
3c	6021601	Capacitor Mounting Strap		
4	000014323	PTCR - 12A		[4]
4a	8505003	PTCR - 10A		[5]
4b	8505023	PTCR Mounting Bracket		
4c	8505013	PTCR Mounting Bracket		
5	000013576	High Pressure Cut-out		
5a	000013577	High Pressure Cut-out (Auto-reset) - R290		[6]
6	000013531	Fan Cycling Control - 335-275 psig		
6a	000013507	Fan Cycling Control - 150-200 psig - R290		[6]
7	000011170	Manifold Strainer		
7a	6058571	Bracket - Access Valves/Manifold Strainer		
7b	000010699	Grommet - Manifold Strainer		
8	8373263	Refrigeration Service Valve Assembly - 0.375"		
8	000012264	Refrigeration Service Valve Assembly - 0.3125"		
8	8373253	Access Valve		
9		Contactors		
9a	2006589	Contactors - 115V/60 Hz/1 Ph		
9b	2009089	Contactors - 208-230V/50-60 Hz/1 Ph		
9c	2006619	Contactors - 230V/60 Hz/3 Ph		
10	5202169	Screw - #10-24 x 0.5" Ground		
10a	5573209	Star Washer		
11	2500019	Bushing - 1.187"		
12	2501409	Bushing - 0.875"		
13	5202069	Screw - #10-24 x 0.5" HEX		
13a	5573209	Star Washer		
14		Control Box Wiring Harness		
14a	000007696	Control Box Wiring Harness - 115V/60 Hz/1 Ph		
14b	000007179	Control Box Wiring Harness - 230V/60 Hz/1 Ph		
14c	000007180	Control Box Wiring Harness - 230V/50 Hz/1 Ph		
14d	000009996	Control Box Wiring Harness R290 - 230V/50 Hz/1 Ph to Control Board		
15	2008263	Compressor - Wiring Harness - 3 Ph		
16		Compressor Compartment Wiring Harness		
16a	000007185	Wiring Harness - Compressor Compartment - Air-cooled		
16b	000007177	Wiring Harness - Compressor Compartment - Water-cooled		
16c	000007184	Wiring Harness - Compressor Compartment - Remote Air-cooled		

iT0500, iP0500 - Control Box

# iT0500, iP0500 Indigo NXT, JCT0500

## iT0500, iP0500 - Control Box

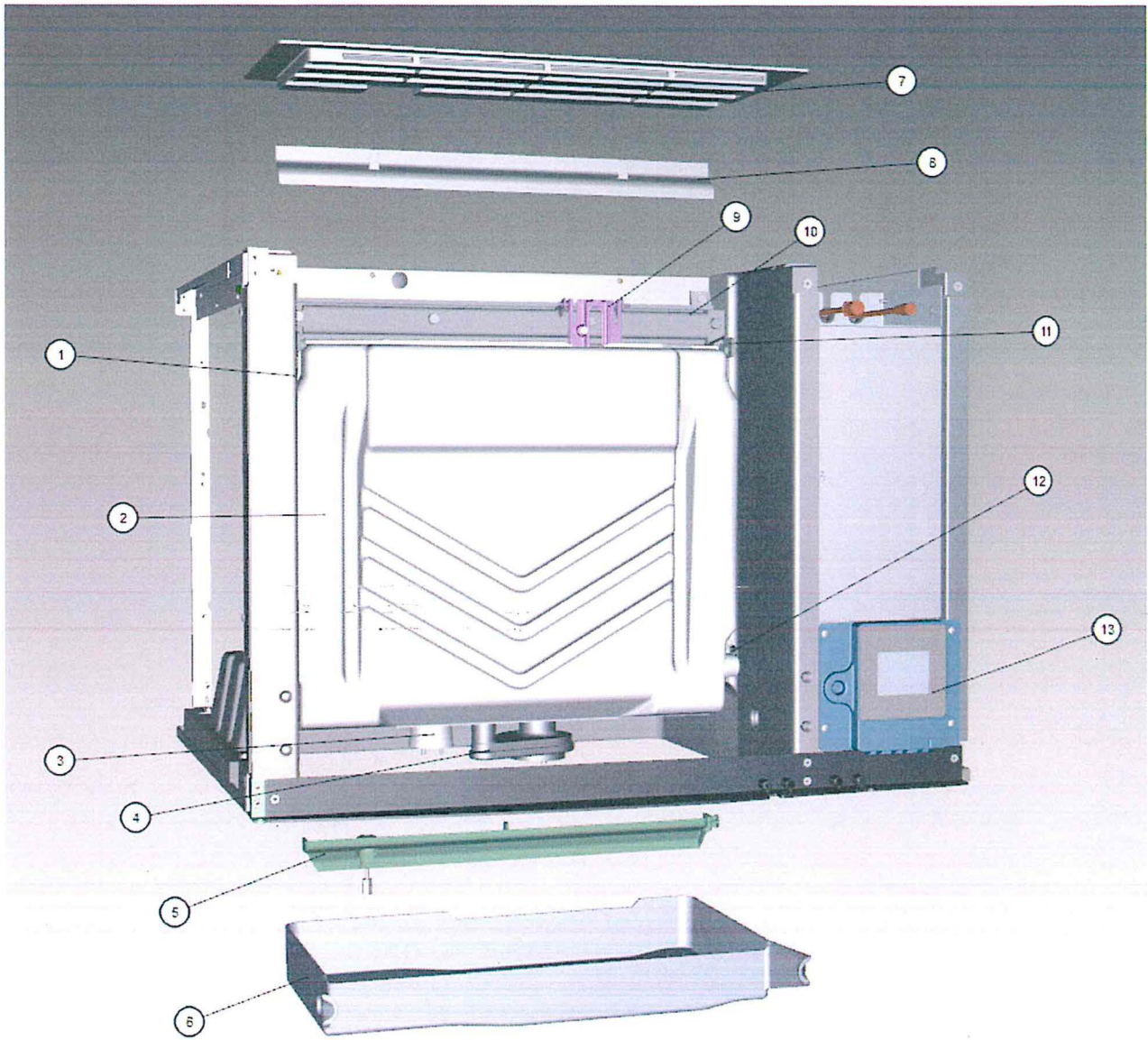
#	PART #	DESCRIPTION	QTY	Note
17	000012569	Electronic Noise Filter - Korea		
17a	000005500	Electrical Noise Filter Wiring Harness		
17b	000011505	Terminal Cover		
17c	000011506	Terminal Cover Gasket		
18		IP0500 Only Components		
18a	000009209	Contactor Box - R290		
18b	000009210	Contactor Box Cover - R290		
18c	000009211	Contactor Box False Bottom - R290		
18d	000009229	Liquid Tight Cord Grip		
18e	000009262	Contactor Wiring Harness - R290		
18f	2006143	Terminal Block - 50 Hz - 3 Pole		
18g	000000022	Start Capacitor - 115-230V/50-60 Hz/1 Ph		
18h	2009493	Run Capacitor - 230V/50-60 Hz/1 Ph		
18i	2007929	Start Potential Relay - 208-230V/50-60 Hz/1 Ph		

### PART NOTES:

- [1] - 115V/60 Hz/1 Ph Models
- [2] - 230V/60 Hz/1 Ph Models
- [3] - 230V/50 Hz/1 Ph Models
- [4] - Air-cooled Water-cooled Models
- [5] - Remote Models
- [6] - IP0500 R290 Models Only

# iT0500, iP0500 Indigo NXT, JCT0500

## iT0500, iP0500 - Evaporator Compartment



iT0500, iP0500 - Evaporator Compartment

iT0500\_3.pdf



# iT0500, iP0500 Indigo NXT, JCT0500

## iT0500, iP0500 - Evaporator Compartment

#	PART #	DESCRIPTION	QTY	Note
1		Evaporator Assembly		
1a	7602839	Evaporator - Dice Cube		
1b	7602849	Evaporator - Half Dice Cube		
2	4010979	Water Curtain		
3	000007052	Water Level Probe		
3a	000007724	Wire - Control Box to Water Level Probe		
3b	000007053	Water Level Probe - Holder		
3c	5202099	Screw - #10-24 x 0.5" PHIL		[1]
4		Water Pump - See Note for Usage		
4a	8251129	Water Pump - 115V/60 Hz		
4b	2008109	Water Pump - 230V/60 Hz		[2]
4c	2008119	Water Pump - 230V/50-60 Hz		[3]
4d	8252109	Water Pump - 230V/50-60 Hz		[4]
4e	000010244	Water Pump Mount		
5	7602213	Water Diverter - 30" Models		
5a	5305123	Thumbscrew SS - #8-32 x 0.44"		
6	000010337	Water Trough		
7	000010322	Foodzone Seal Panel - 30"		[5]
8	4008469	Evaporator Top Filler Panel		
8a	6063339	Bracket - Top Filler Panel		
8b	5202099	Screw - #10-24 x 0.5" PHIL		
9	000015209	Ice Thickness Control Probe		
10	7602193	Water Distribution Tube - 30" L		
10a	5004649	O-Rings - 0.675"		[6]
11	7602203	Evaporator Top Frame Assembly		
11a	4009613	Evaporator Bottom Frame Assembly		
12	000007888	Magnetic Bin Switch		
12a	000014038	Bin Switch Wiring Harness		
13	000015154	Touch Screen Housing Assembly - 30"/48"		
13a	000006697	Mounting Bracket		[7]
14	5004799	Thumbscrew SS - #8-32 x 0.375"		[8]
14a	5004629	O-Ring - 0.125" ID		
15	5004619	Screw - #12-16 x 0.687"		
16	5004659	Water Pump Base O-Ring - 4.00" ID		
17	5004679	Water Pump Outlet O-Ring - 0.875" ID		

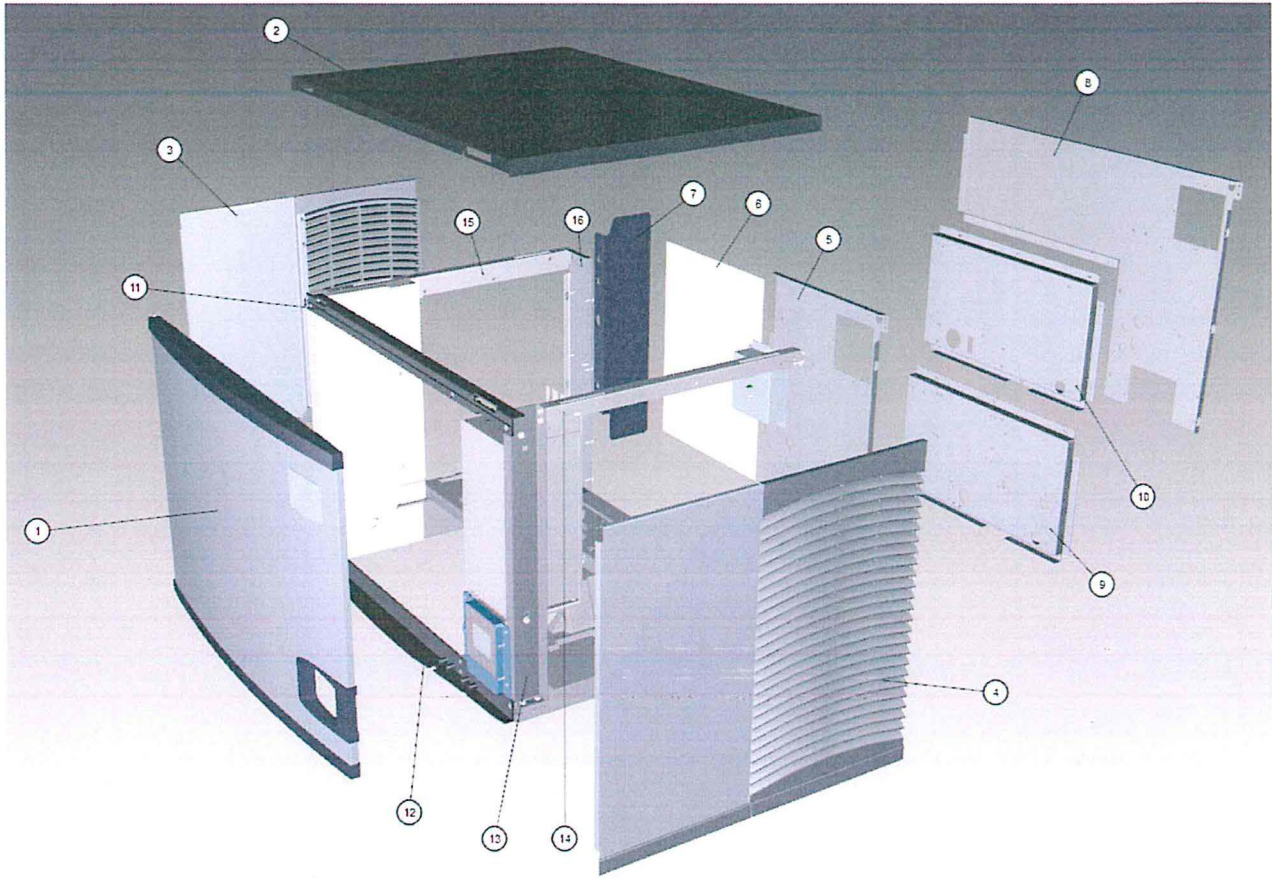
### PART NOTES:

- [1] - Mount Water Level Probe Holder
- [2] - 60 Hz
- [3] - 50 Hz
- [4] - IP0500 R290 Models Only
- [5] - Tape into Place
- [6] - Back of Distribution Assembly
- [7] - Mounts Housing Assembly to Machine
- [8] - Water Distribution Tube Mounting

iT0500, iP0500 - Evaporator Compartment

# iT0500, iP0500 Indigo NXT, JCT0500

## iT0500, iP0500 - Panels



# iT0500, iP0500 Indigo NXT, JCT0500

## iT0500, iP0500 - Panels

#	PART #	DESCRIPTION	QTY	Note
1	000015667	Front Panel Assembly - 30" x 21.5"		
1a	5004899	Front Panel Screw		
1b	000006538	Top Endcap		
1c	000006539	Bottom Endcap		
2	000006699	Top Cover		
3	000012616	Left Side Panel - 21.5" H		
4	000012615	Right Side Panel - 21.5" H		
5	000011086	Back Panel - Air-cooled		
5a	000008922	Back Panel - R290		[1]
6	3005569	Air Filter - 14.29" x 16.94"		
6a	000008923	Air Filter - 14.25" x 12.58" - R290		[1]
7	000007314	Air Baffle Assembly		
8	000011092	Back Panel - Water-cooled and Remote Air-cooled		
9	000014482	Back Coupling Panel - Water-cooled and Remote Air-cooled		
10	000008482	Panel - Water Regulating Valve - High Pressure		
11	000010051	Front Top Support		
11a	5005379	Mounting Screw - #8-32 x 1.0" PHIL		
11b	5005099	Screw - #10-16 x 0.625"		
12	7602263	Bottom Door Frame		
12a	5005379	Mounting Screw - #8-32 x 1.0" PHIL		
12b	5202099	Screw - #10-24 x 0.5" PHIL		
12c	000001127	Tapping Plate - Door Hinge Screws		
13	000010680	Right Corner Post		
14	6062571	Right Top Channel		
15	6068649	Left Top Channel		
16	000010299	Left Corner Post		
17	3005579	Left Door Pivot Leaf Hinge		
18		Electrical Box on Rear of Ice Machine		
18a	6067289	Rear Connection Box		
18b	6067299	Cover - Rear Connection Box		
18c	2006143	Terminal Block - 50 Hz - 3 Pole		
18d	5202169	Screw - #10-24 x 0.5" Ground		
19	7112239	Cartoning		

### PART NOTES:

[1] - iP0500 R290 Models Only