

COMPRESSOR  
CRANKCASE  
HEATER

\*CVD1475 & CVD2075 DO NOT USE A  
COMPRESSOR CRANKCASE HEATER

HIGH PRESSURE  
CUTOUT

LOW PRESSURE  
SWITCH

CONTACTOR  
COIL

CONTACTOR

COMPRESSOR

FAN MOTOR

FAN CYCLE  
CONTROL

RUN CAPACITOR

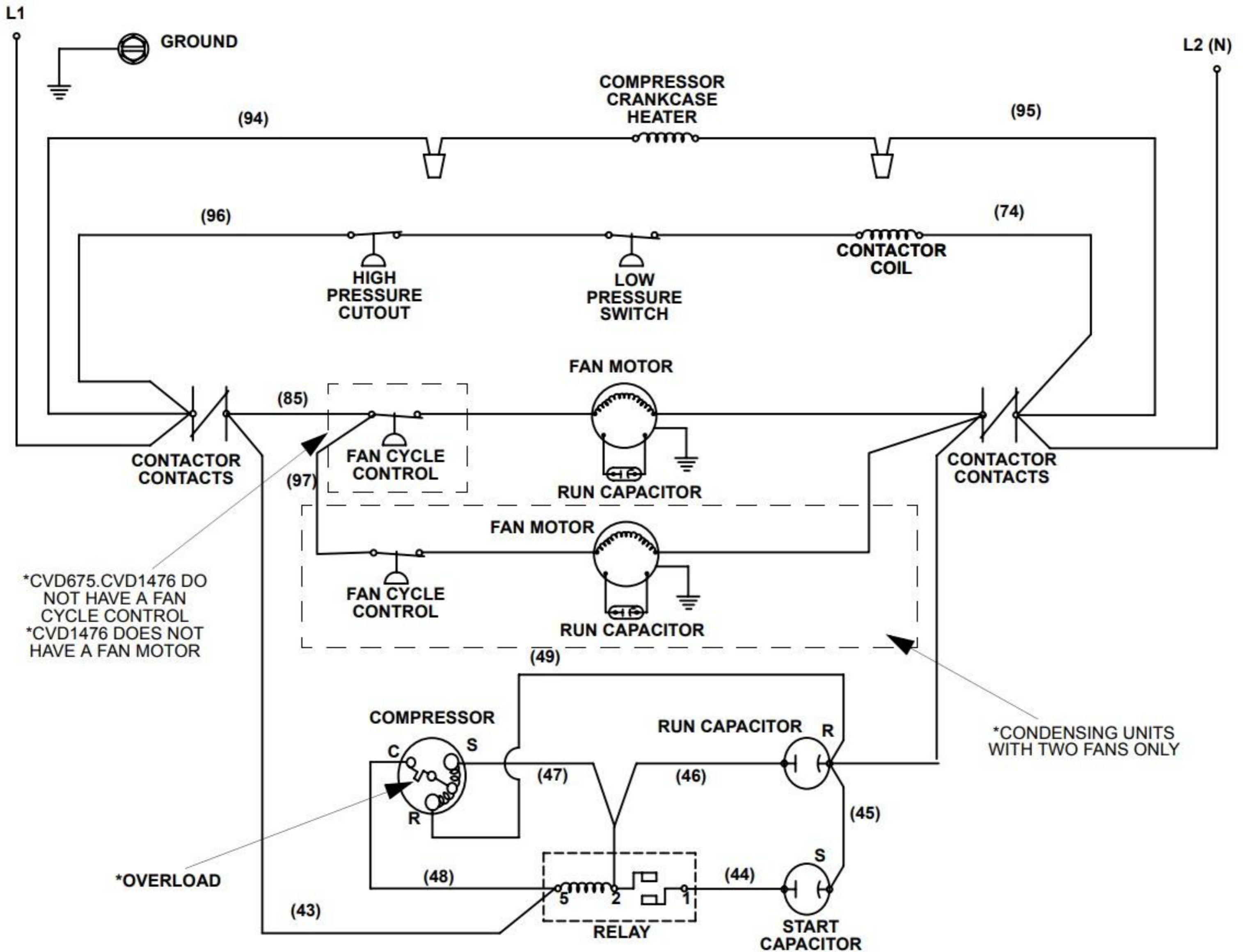
FAN MOTOR

FAN CYCLE  
CONTROL

RUN CAPACITOR

\*CVD675, CVD1476 DO NOT HAVE A FAN CYCLE CONTROL  
\*CVD1476 DOES NOT HAVE A FAN MOTOR

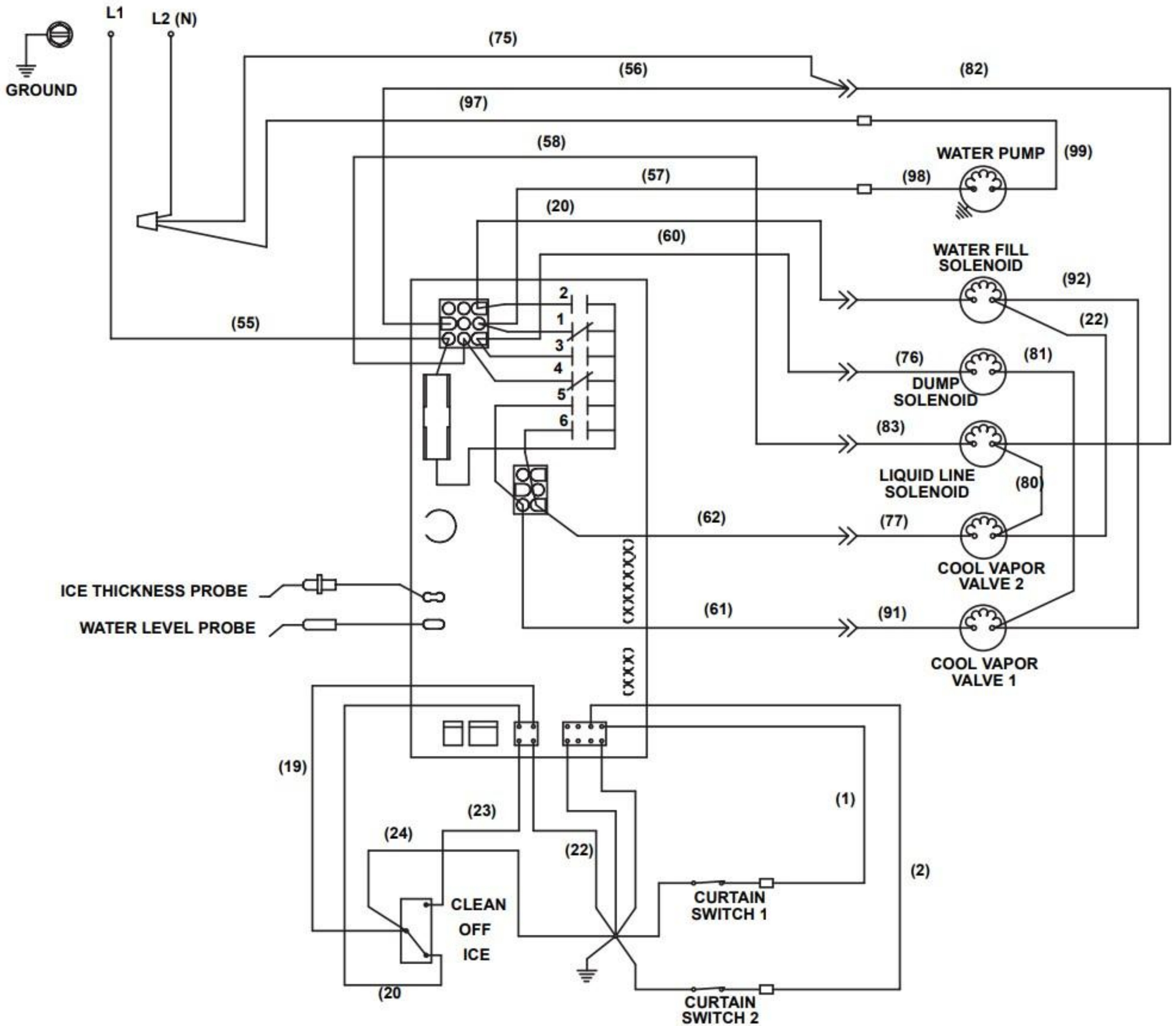
\*CONDENSING  
UNIT WITH TWO  
FANS ONLY

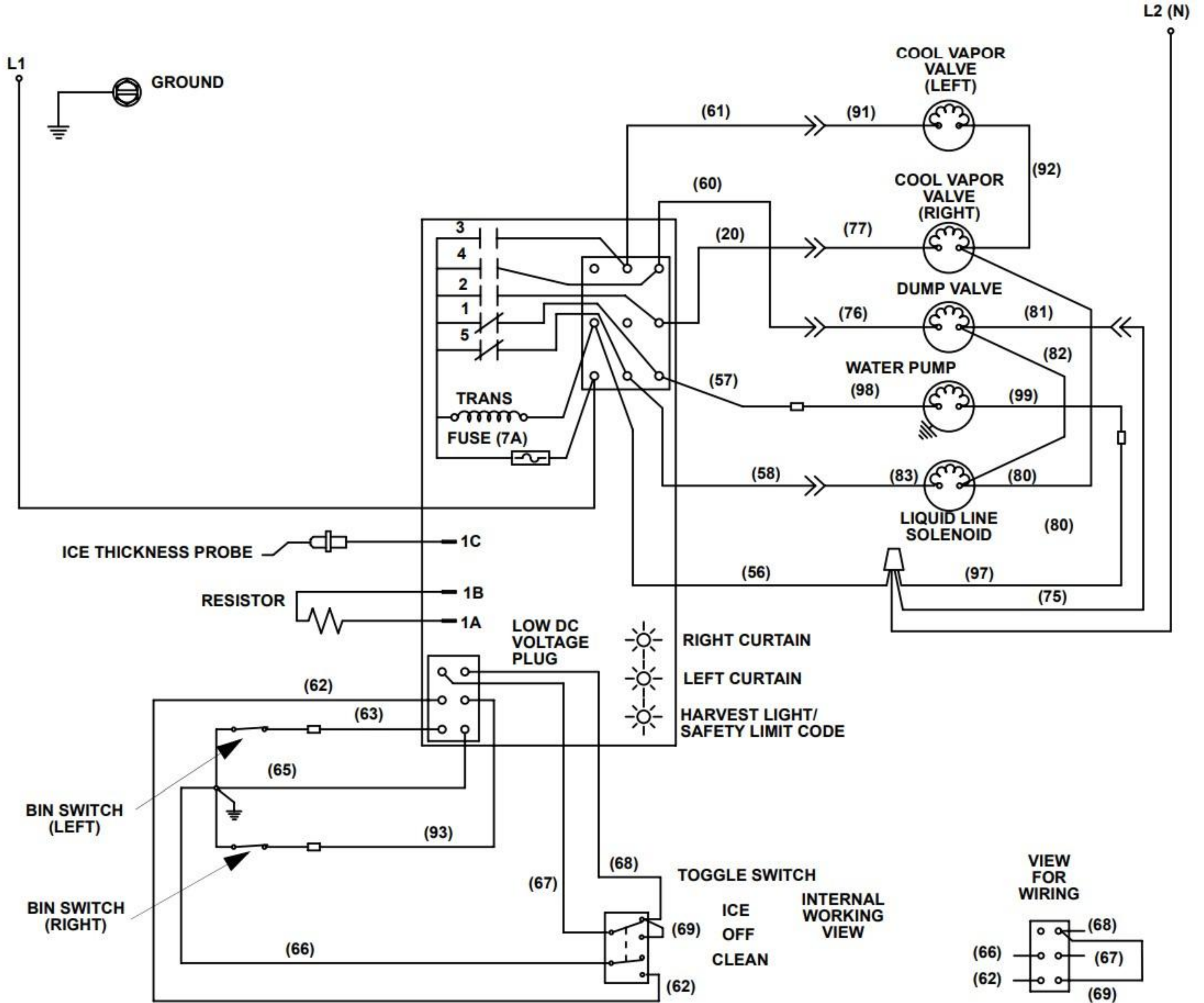


\*CVD675.CVD1476 DO NOT HAVE A FAN CYCLE CONTROL  
 \*CVD1476 DOES NOT HAVE A FAN MOTOR

\*OVERLOAD

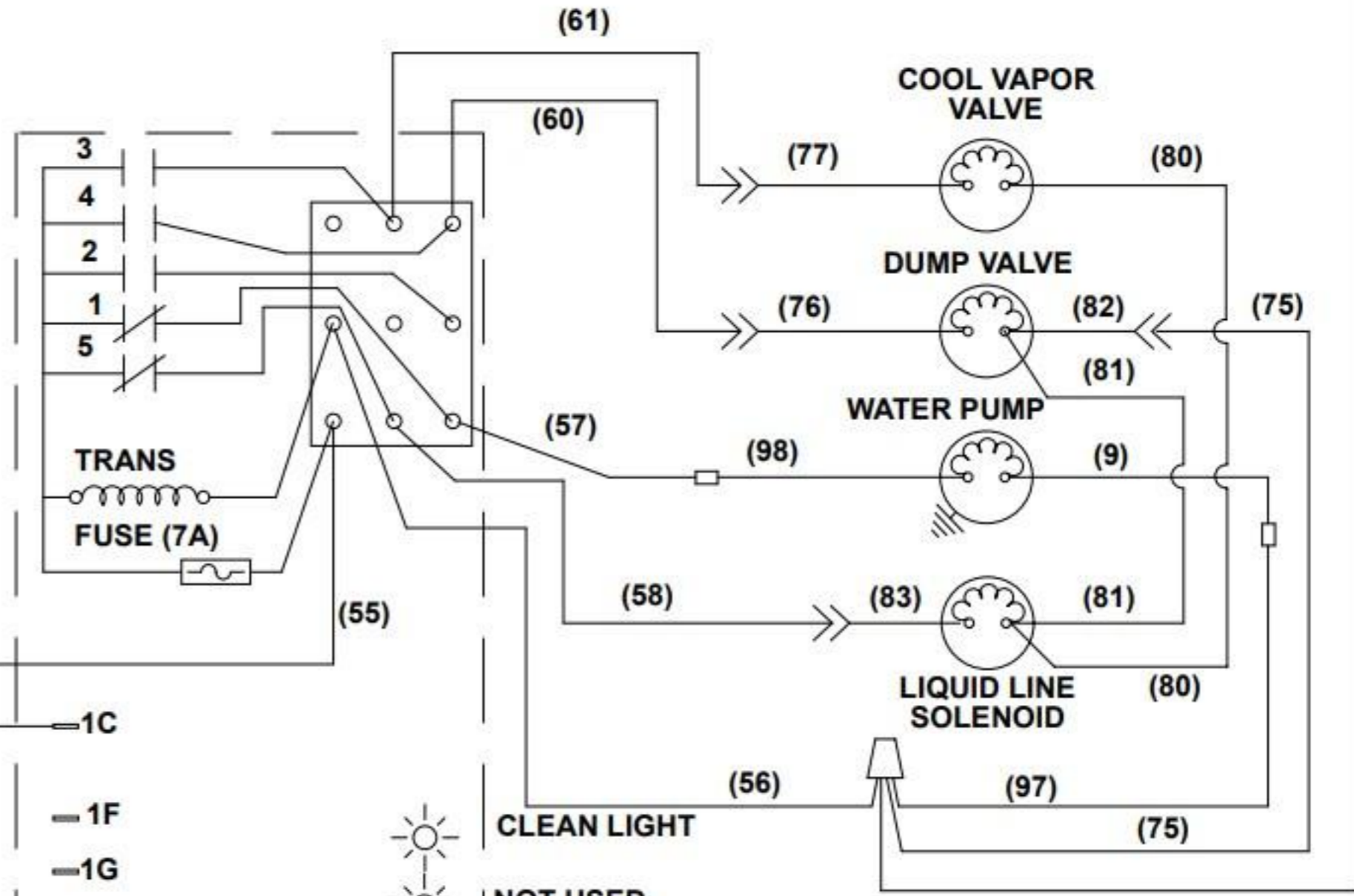
\*CONDENSING UNITS WITH TWO FANS ONLY





L1

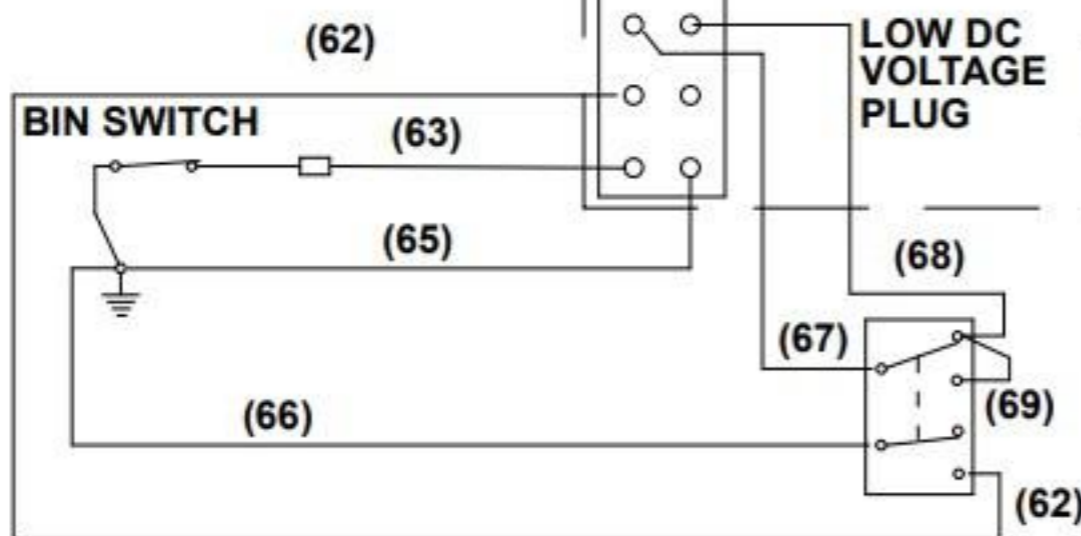
L2 (N)



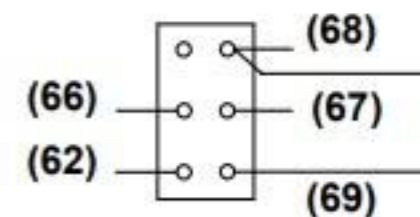
ICE THICKNESS PROBE

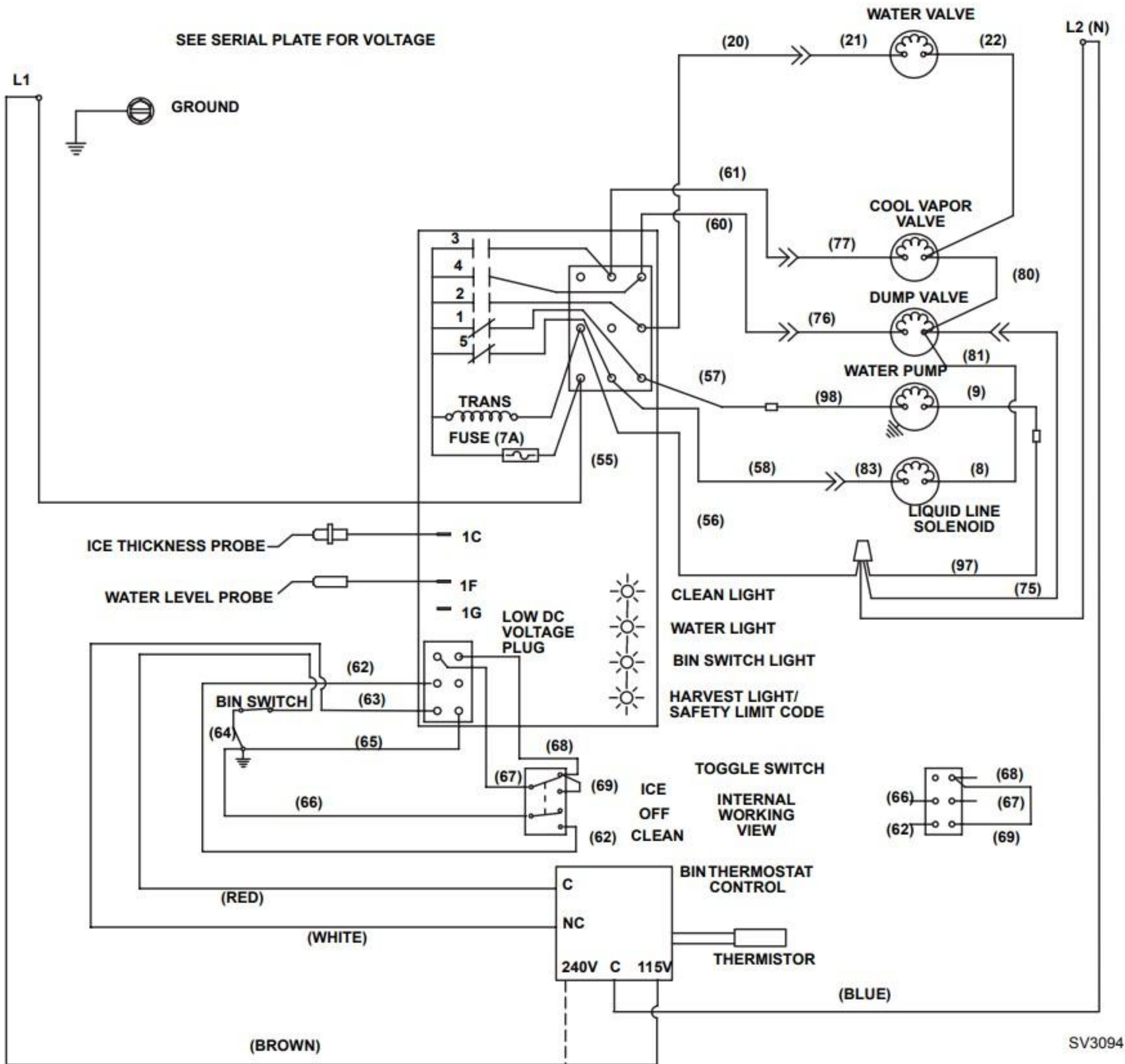


1C  
1F  
1G



TOGGLE SWITCH  
INTERNAL WORKING VIEW  
ICE OFF CLEAN





\*240V Machines Connect Brown to 240V and Common (C)

