



**Ice Machine Parts List for
Series H300 Floor Ice Dispensers**

Models

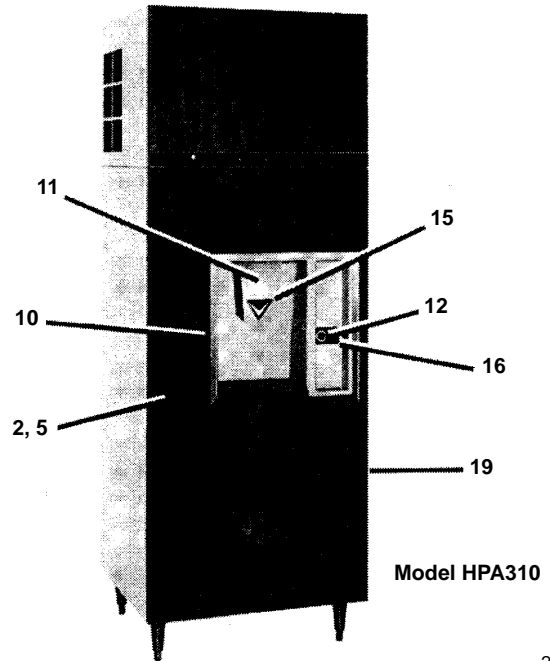
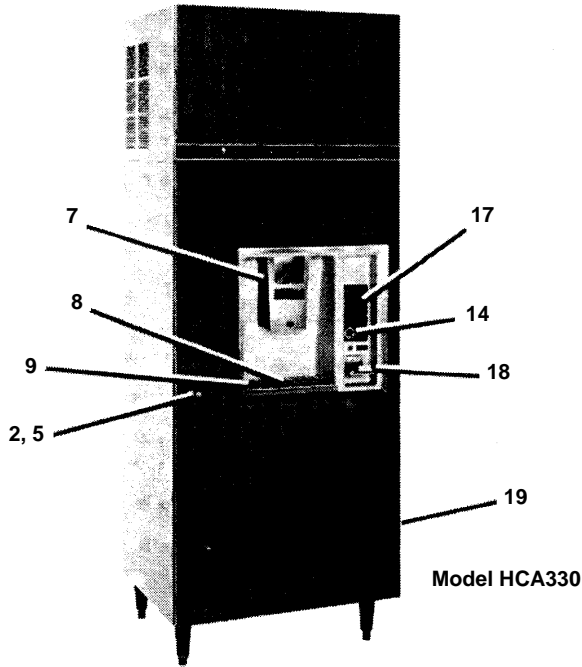
HPA310

HCA330

HKA320

HRA340

HPA310, HKA320 & HCA330



2152

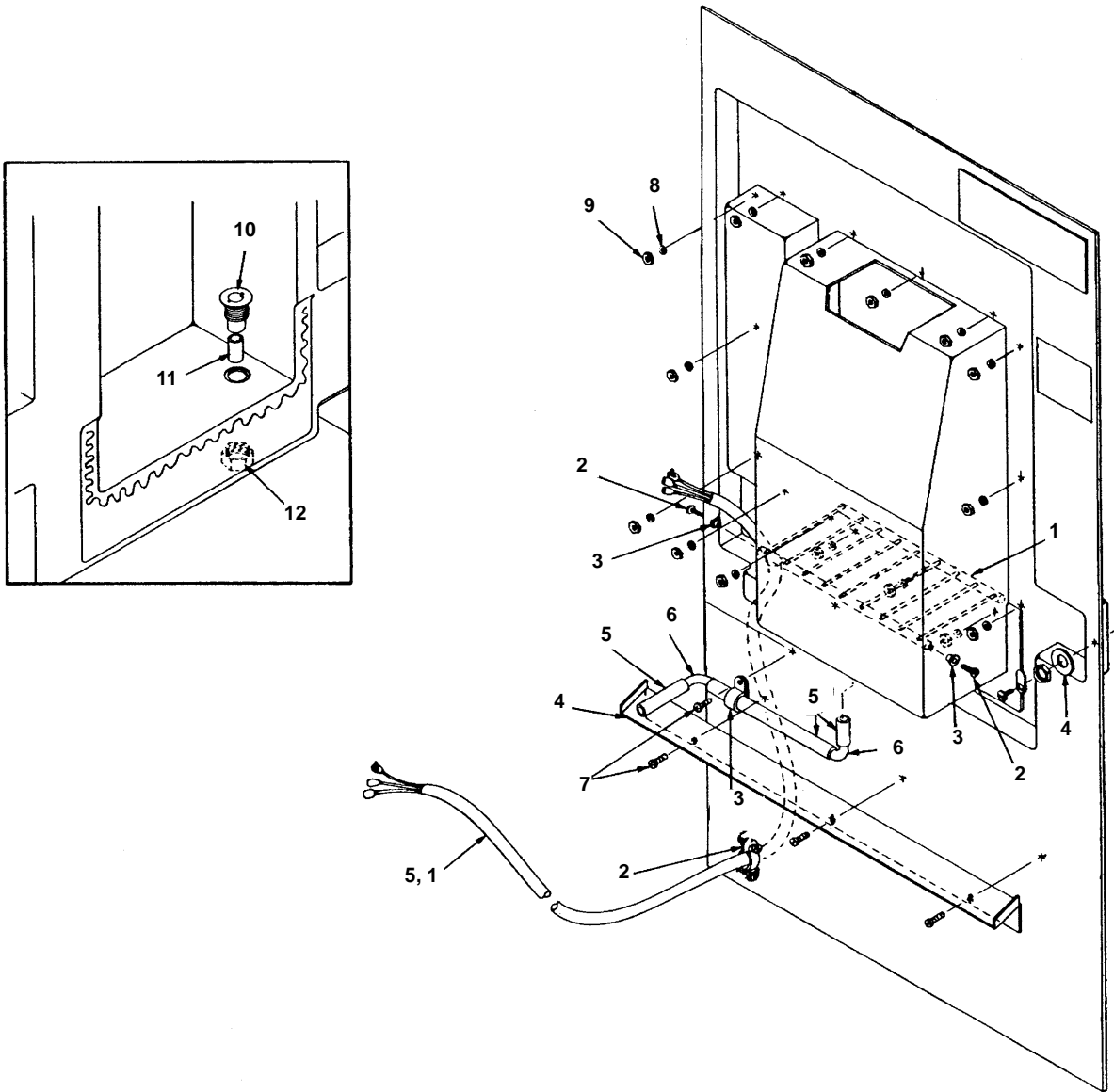
DESCRIPTION

PART NO.

| | | |
|----|--|------------------------|
| 1 | Main Door Assembly – Push Button – Textured Fawn | No Longer Available |
| | SS Push Button | No Longer Available |
| | Coin Op. 60 Hz – Textured Fawn | No Longer Available |
| | SS Coin Op. 60 Hz | No Longer Available |
| | Coin Op. 50 Hz – Textured Fawn | No Longer Available |
| | SS Coin Op. 50 Hz | No Longer Available |
| 2 | Door Lock up to SN 890762559 (Must Identify): | |
| 3 | Tube Key Type Lock | No Longer Available |
| 3a | Flat Key Type Lock | 3060273 |
| 4 | Key Only up to SN 890762559 | 7623793 |
| 5 | Door Lock – Use After SN 890762560 | 3060273 |
| 6 | Key for Lock 3060273 (Flat Style) | 3060283 |
| 6a | Key for Lock 3060263 (Tube Style) | 3060071 |
| 7 | Outside Ice Chute w/Window | No Longer Available |
| 8 | Wire Grill | No Longer Available |
| 9 | Nylon Shoulder Bushing | † 3730169 |
| 10 | Trim Frame Extrusion | No Longer Available |
| 11 | Ice Chute Assembly | † 7619973 |
| 12 | Push Button Ice Switch | See Page 10 For Detail |
| 13 | Key Operated Ice | See Page 11 For Detail |
| 14 | Coin Operated Ice Switch | See Page 12 For Detail |
| 15 | Label “PLACE CONTAINER BELOW” | No Longer Available |
| 16 | Label “PUSH FOR ICE” | 8131153 |
| 17 | Label “COIN OPERATION” | No Longer Available |
| 18 | Coin Chute | No Longer Available |
| 19 | Hinge | No Longer Available |

† Refer to Cross Reference Guide

H300 DOOR INTERIOR



2153

DESCRIPTION

| | DESCRIPTION | PART NO. |
|----|-----------------------------------|---------------------|
| 1 | Wire Grill | No Longer Available |
| 2 | Screw, #8 - 32 x 1/2" | † 5026249 |
| 3 | Shoulder Bushing | † 3730169 |
| 4 | Washer | No Longer Available |
| 5 | Cord Assembly (Push Button & Key) | No Longer Available |
| 1 | Cord Assembly (Coin) | No Longer Available |
| 2 | Connector | No Longer Available |
| 3 | P-Clamp | 5650101 |
| 4 | Condensation Angle | No Longer Available |
| 5 | Vinyl Tube 1/2 ID | † 4420333 |
| 6 | Plated Elbow | No Longer Available |
| 7 | Screw, #10-24 x 5/8" | † 5202059 |
| 8 | Flatwasher #8 | † 5504269 |
| 9 | Hex Nut #8-32 | † 5429069 |
| 10 | Drain Plug | 4301301 |
| 11 | Drain Tube | † 6010011 |
| 12 | Plastic Nut | 4301291 |

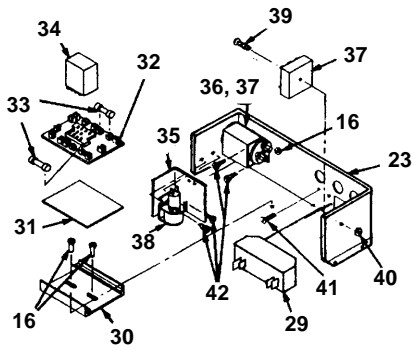
† Refer to Cross Reference Guide

HPA310, HKA320, HCA330 STORAGE BIN DETAIL, CONTINUED

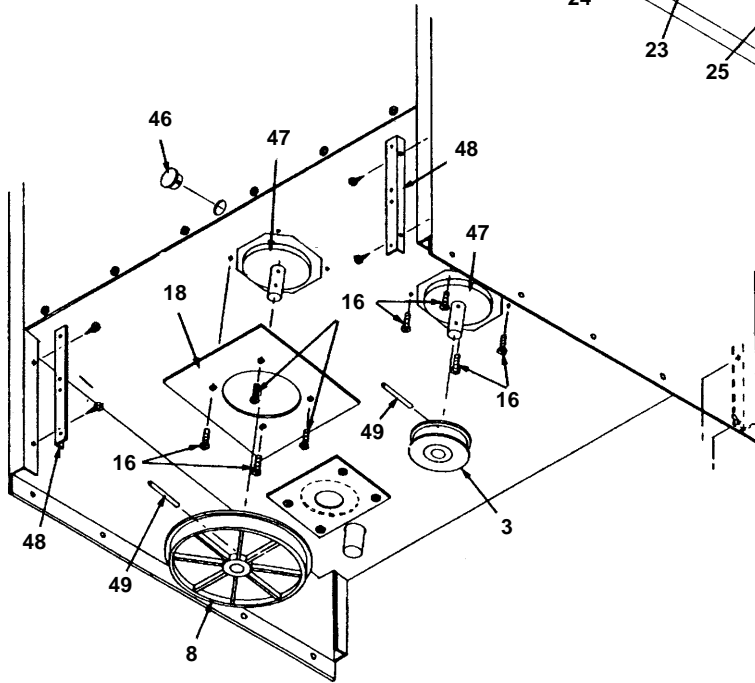
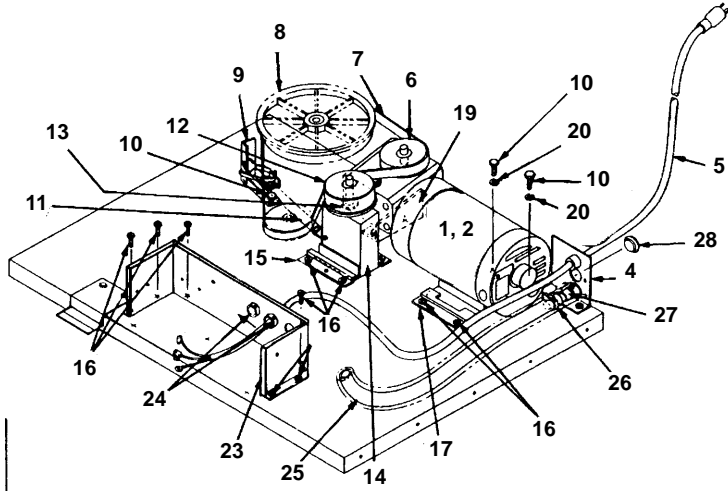
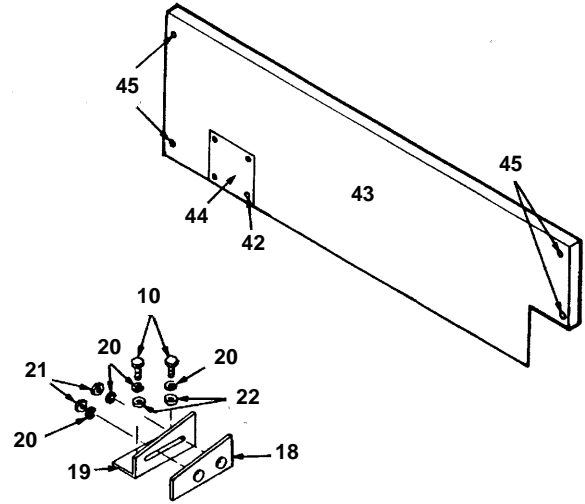
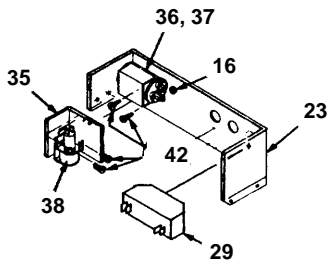
| DESCRIPTION | PART NO. |
|--|---------------------|
| 1 Agitator Shaft | 6652414 |
| 2 Agitator Auger Flighting 8" O.D. (Uses 5) | 4301913 |
| 3 Upper Bearing Coupling | 4301683 |
| 4 Agitator Bearing | 4301743 |
| 5 Auger Mounting Bracket | 6644314 |
| 6 Lower Bearing Coupling | 4301693 |
| 7 Upper Housing Assembly | † 7623373 |
| 8 Pin | 3710323 |
| 9 Dispensing Auger Flighting 4" O.D. (Uses 11) | 5031191 |
| 10 Auger Bearing Bracket | No Longer Available |
| 11 Auger Bearing | 4301753 |
| 12 Upper Housing Seal (White Neoprene) | 3718163 |
| 13 Deflector | † 6660314 |
| 14 Upper Liner Bracket | No Longer Available |
| 15 Access Door Assembly | No Longer Available |
| 16 Left Hand Access Door Mounting Bracket | No Longer Available |
| 17 Right Hand Access Door Mounting Bracket | No Longer Available |
| 18 Access Door Retainer Bracket | No Longer Available |
| 19 Access Door Base Bracket | No Longer Available |
| 20 Liner Bottom Funnel | No Longer Available |
| 21 Ice Restrictor Bracket | 6286814 |
| 22 Junction Box Cover – Push Button, Key, Card | No Longer Available |
| 22a Junction Box Cover – Coin Op | No Longer Available |
| 23 Door Shim | No Longer Available |
| 24 Latch – Door Lock (After SN 890762560) | No Longer Available |
| Latch – Door Lock (Prior SN 890762559) | No Longer Available |
| 25 Left Hand Front Trim | No Longer Available |
| 26 Right Hand Front Trim | No Longer Available |
| 27 Top Trim | No Longer Available |
| 28 Top Side Trim | No Longer Available |
| 29 Foam Tape | † 9202489 |
| 30 Tamper Bracket (Fawn) | No Longer Available |
| 31 Tamper Bracket (Stainless Steel) | No Longer Available |
| 32 Thumbscrew #8-32 | † 5305049 |
| 33 Screw, 1/4 – 20 x 1" | 5033533 |
| 34 Screw, 1/4 – 20 x 1/2" | † 5032369 |
| 35 Flatwasher 9/32 ID x 5/8" | † 5573049 |
| 36 Lockwasher 1/4 Split | † 5545119 |
| 37 Cap Screw 1/4 – 20 x 2-1/8" | 5013253 |
| 38 Thumbscrew #8 x 1/2" | 5012163 |
| 39 Screw, #8 x 1/2" Type A | No Longer Available |
| 40 Screw, #10-24 x 5/8" Self Tap | † 5202059 |
| 41 Screw, #8 x 1/2" | † 5121539 |
| 42 Washer, Agitator Shaft | 6280214 |
| 43 Flatwasher #8 | † 5504269 |
| 44 Screw, #8-32 x 3/8" | † 5025519 |
| 45 Cover Support Bracket | No Longer Available |
| 46 Ice Chute Cover | No Longer Available |
| 47 Ice Door Spacer | No Longer Available |
| 48 Ice Door Pivot | No Longer Available |
| 49 Hairpin – Cotter | † 3712031 |
| 50 Screw, #6-32 x 5/16" | † 5022379 |
| 51 Lockwasher #6 | No Longer Available |
| 52 Wingnut #821 with Locking Insert | † 5489089 |
| 53 Upper Bearing | 6001531 |
| 54 Clevis Pin | 3712083 |
| 55 Dispensing Auger Shaft *IMPORTANT – See Note Below | 00000168 |
| 56 Lower Coupling | 5031190 |
| *When replacing a fluidized steel auger with plastic auger assembly, the following parts are required: | |
| Auger Shaft | 00000168 |
| Upper Bearing | 6001531 |
| Clevis Pin | 3712083 |
| Auger Flighting (Uses 11) | 5031191 |
| Lower Coupling | 5031190 |

HPA310, HKA320, HCA330

Junction Box for Coin Operated Units



Junction Box for Standard Units

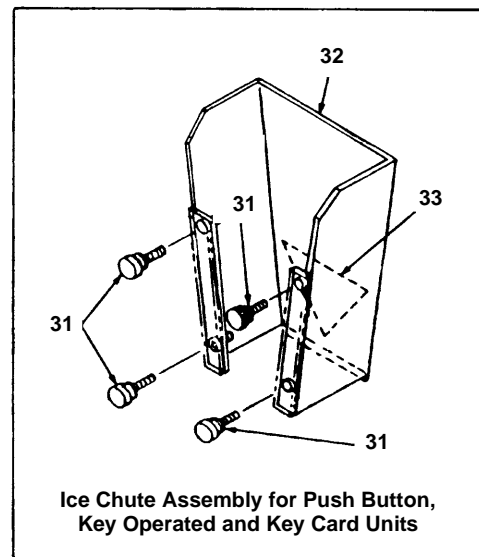
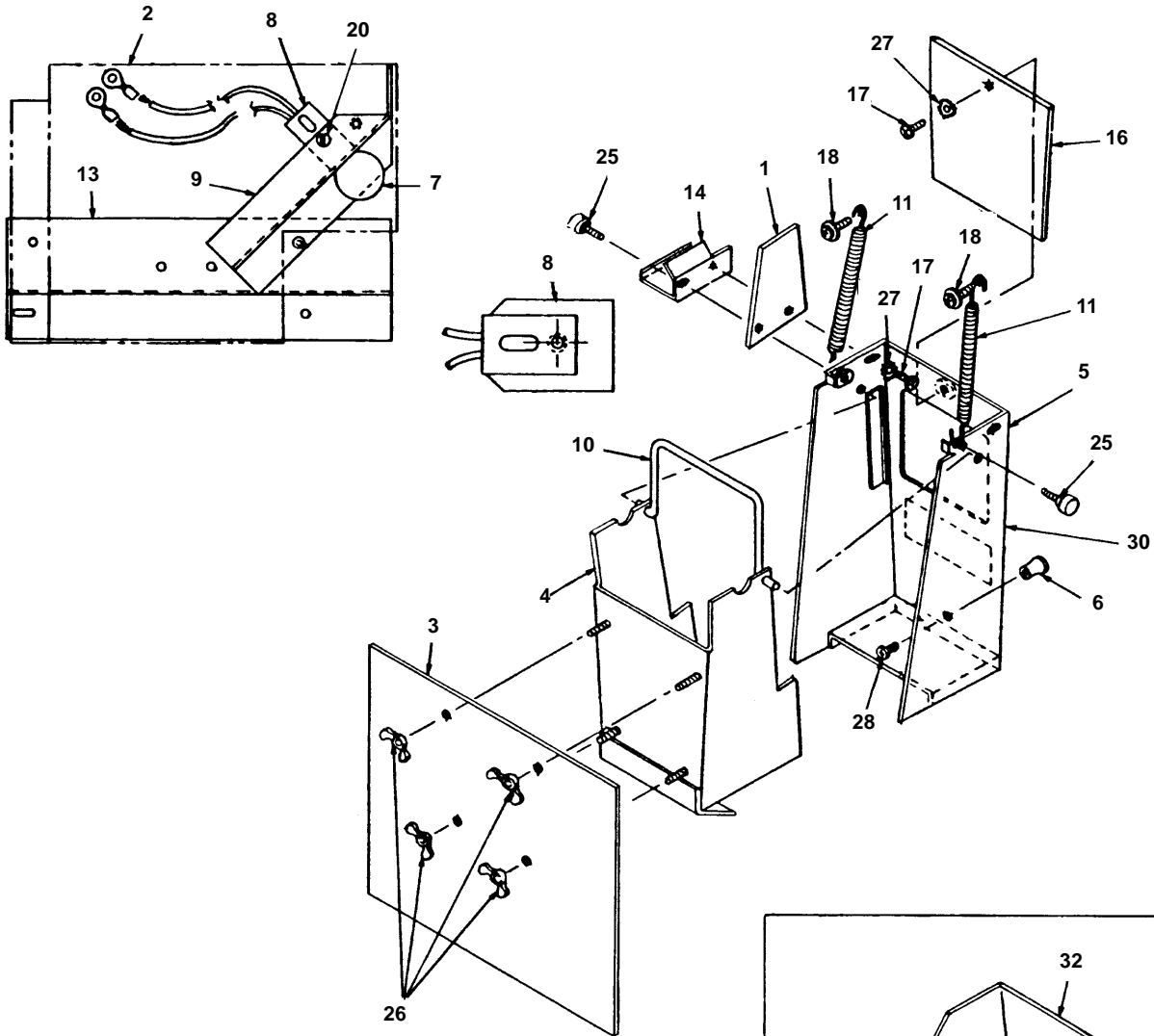


HPA310, HKA320, HCA330 GEAR DRIVE & MOTOR DETAIL

| DESCRIPTION | PART NO. |
|---|---------------------|
| 1 Drive Motor/Gear Reducer Assy., 60 Hz** | † 7626813 |
| 2 Drive Motor Only, 60 Hz | 7626803 |
| 2a Run Capacitor 20 MFD 370V (for Boston Motor) | † 8503413 |
| 2b Run Capacitor 60 MFD 370V (for Fasco Motor) | 8504493 |
| 2c Run Capacitor 40 MFD 370V (for Emerson Motor) | 8504343 |
| 2d Run Capacitor 50 MFD 240V (for Leeson Motor) | 8504813 |
| 3 Small Drive Pulley with Flanged Hub | 3740123 |
| 4 Adapter Mounting Bracket | No Longer Available |
| 5 Supply Cord | 2030673 |
| 6 Small Drive Pulley with Keyway | 3740083 |
| 7 Positive Drive Belt | 3700213 |
| 8 Large Drive Pulley | 3740103 |
| 9 Tensioner Bracket Spring | No Longer Available |
| 10 Screw, 5/16 – 18 x 5/8" Machine | † 5035659 |
| 11 Tensioner Spring | 3300163 |
| 12 Belt Tightener Wheel | 4301723 |
| 13 Washer | 5573343 |
| 14 Belt Tensioner Mounting Bracket | 6658414 |
| 15 Tensioner Lock Bracket | No Longer Available |
| 16 Screw, #10-24 x 5/8" Self Tap | † 5202059 |
| 17 Gear Motor Lock Bracket | 6281014 |
| 18 Bearing Housing Support Plate | No Longer Available |
| 19 Gear Box Angle Bracket Weldment | No Longer Available |
| 20 Lockwasher, 5/16 Split | † 5573139 |
| 21 Hex Nut, 1/4 – 20" | † 5429529 |
| 22 Washer, 5/16 Flat | † 5573099 |
| 23 Junction Box | No Longer Available |
| 24 Bushing – 7/8" | 2501401 |
| 25 Vinyl Tube 5/8" ID – 7/8" OD | † 4420383 |
| 26 Hose Clamp | † 5650609 |
| 27 Drain Fitting Assy | No Longer Available |
| 28 Hole Plug – 1-1/16" | 4301923 |
| 29 Sinpac Switch (for Boston Motor) | † 7623353 |
| 30 Mounting Channel | 4408013 |
| 31 Mylar Insulator | No Longer Available |
| 32 Terminal Board | No Longer Available |
| 33 Fuse 1/2 Amp | No Longer Available |
| 34 Relay 115V (Mechanical – Only Used on Coin Op)** | No Longer Available |
| 35 Mylar Insulator | No Longer Available |
| 36 Start Capacitor for Baldor Motor 130156 MFD @ 125V Case Size 4/60 Cycle | No Longer Available |
| 36a Start Capacitor for Century Motor 161193 @ 165V/60 Cycle | No Longer Available |
| 36b Start Capacitor For Emerson Motor 189227 MFD @ 165V Case Size 4 | No Longer Available |
| 37 Capacitor Mounting Bracket | No Longer Available |
| 37a Capacitor Mounting Bracket (for Leeson Motor) | No Longer Available |
| 37b Dual Delay Timer 115V** | No Longer Available |
| 38 SS Relay 115V/230V | No Longer Available |
| 39 Screw, #8-32 x 1-1/4" Machine | 5026679 |
| 40 Hex Nut #8-32 | † 5429069 |
| 41 Groundscrew #10-32 | † 5027019 |
| 42 Screw #8 x 1/2" Type B | † 5124649 |
| 43 Lower Rear Access Panel | No Longer Available |
| 44 Cover, Soda Line Entrance | No Longer Available |
| 45 Screw – Access Panel #8 – 3/4" | † 5124659 |
| 46 Hole Plug 7/8" | 4301463 |
| 47 Lower Bearing Housing Assy | 7623143 |
| 48 Mounting Bracket – Lower Rear Access Panel | No Longer Available |
| 49 Roll Pin | † 3712049 |

**See Page 15 for 230V parts.

ICE CHUTE DETAIL



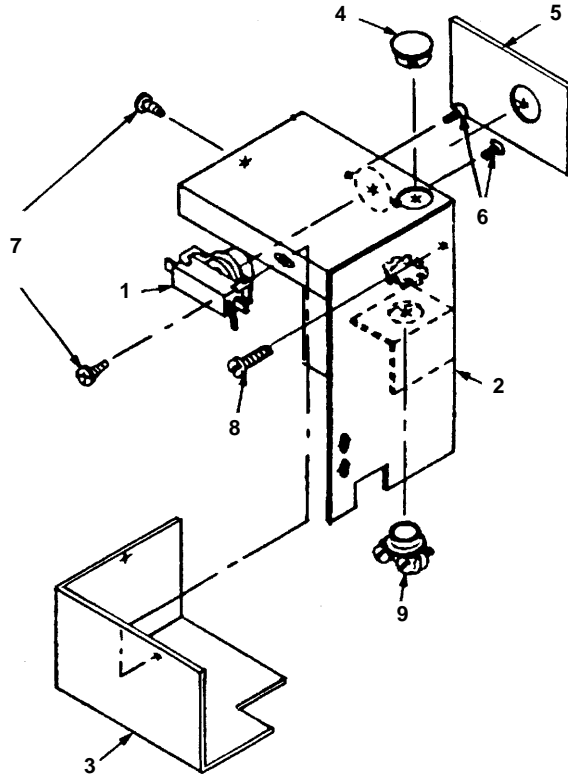
2158

ICE CHUTE DETAIL, CONTINUED

| DESCRIPTION | PART NO. |
|---|---------------------------|
| 1 Bulb Shield | No Longer Available |
| 2 Chute Switch Cover | No Longer Available |
| 3 Chute Stabilizer Plate | No Longer Available |
| 4 Inside Ice Chute | No Longer Available |
| 5 Outside Ice Chute | No Longer Available |
| 6 Knob | 5305073 |
| 7 Lamp – 120V* | No Longer Available |
| 8 Lamp Holder | No Longer Available |
| 9 Lamp Holder Bracket | No Longer Available |
| 10 Retainer Bar | No Longer Available |
| 11 Spring | No Longer Available |
| 12 Switch | 2301183 |
| 13 Switch Mounting Bracket | No Longer Available |
| 14 Switch Bracket | No Longer Available |
| 15 Tamper Proof Bracket | No Longer Available |
| 16 Window | No Longer Available |
| 17 Machine Screw, #8-32 x 1/2" | † 5026249 |
| 18 Self Tapping Screw, #10-24 x 5/8" | † 5202079 |
| 19 Screw, #532 x 7/8" Brass | No Longer Available |
| 20 Slot Head Screw, #10-32 x 3/16" | No Longer Available |
| 21 S1 Pan Head Machine Screw, #6-32 x 5/16" | † 5022379 |
| 22 Hex Nut #8-32 | † 5429069 |
| 23 Flatwasher, #8 | † 5504269 |
| 24 #6 Lockwasher | No Longer Available |
| 25 Thumbscrew, #8-32 x 9/16" | † 5305049 |
| 26 Wingnuts, #8-32 | † 5489139 |
| 27 Lockwasher, External Tooth - #8 | † 5544079 |
| 28 Machine Screw, #10-32 x 3/8" | No Longer Available |
| 29 Insulator | No Longer Available |
| 30 Label, "ICE CHUTE" | 8131883 |
| 31 Thumbscrew | † 5000013 |
| 32 Ice Chute | † 7619973 |
| 33 Label, "PLACE CONTAINER BELOW" | No Longer Available |

* For 230V parts, see Page 15.

HPA310 PUSH BUTTON ICE SWITCH



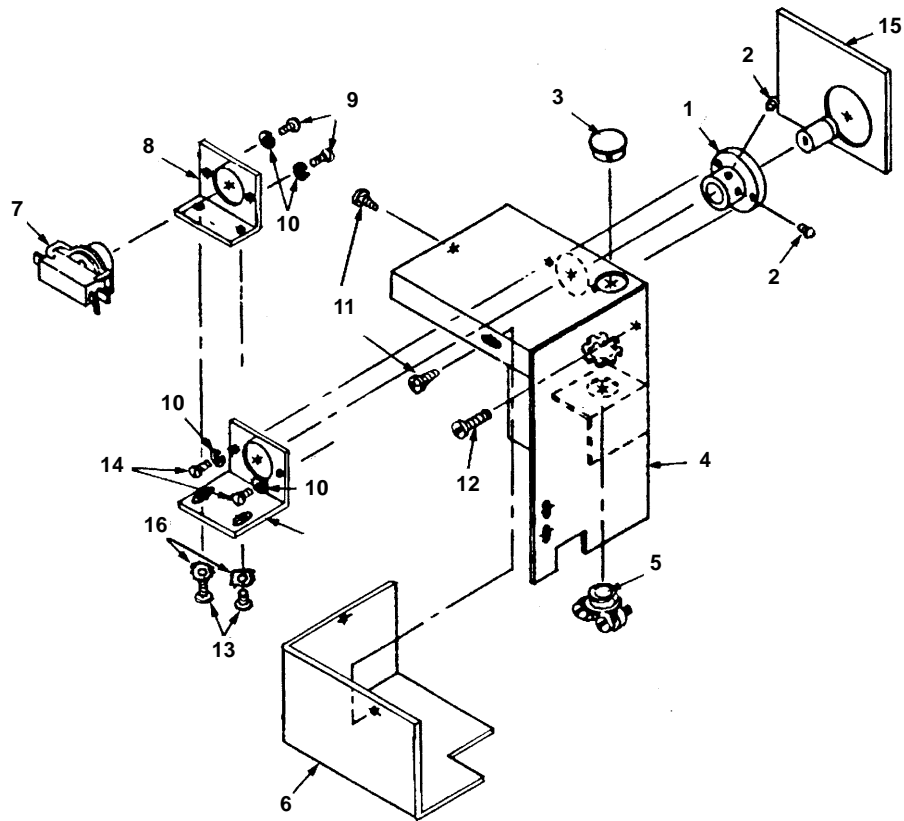
2160

Ice Button Box Assembly for
Push Button Units

DESCRIPTION

| DESCRIPTION | PART NO. |
|--|---------------------|
| 1 Push Button Switch..... | † 2301063 |
| 2 Ice Button Box Weldment..... | No Longer Available |
| 3 Ice Button Cover..... | No Longer Available |
| 4 Hole Plug - 7/8"..... | 4301463 |
| 5 Label - Push for Ice..... | 8131153 |
| 6 Screw, #6-32 x 3/8" Flat Head Machine..... | † 5022409 |
| 7 Screw, #8 x 1/2"..... | † 5124649 |
| 8 Screw, #10-32..... | † 5027019 |
| 9 Connector..... | No Longer Available |

HKA320 KEY OPERATED ICE SWITCH DETAIL



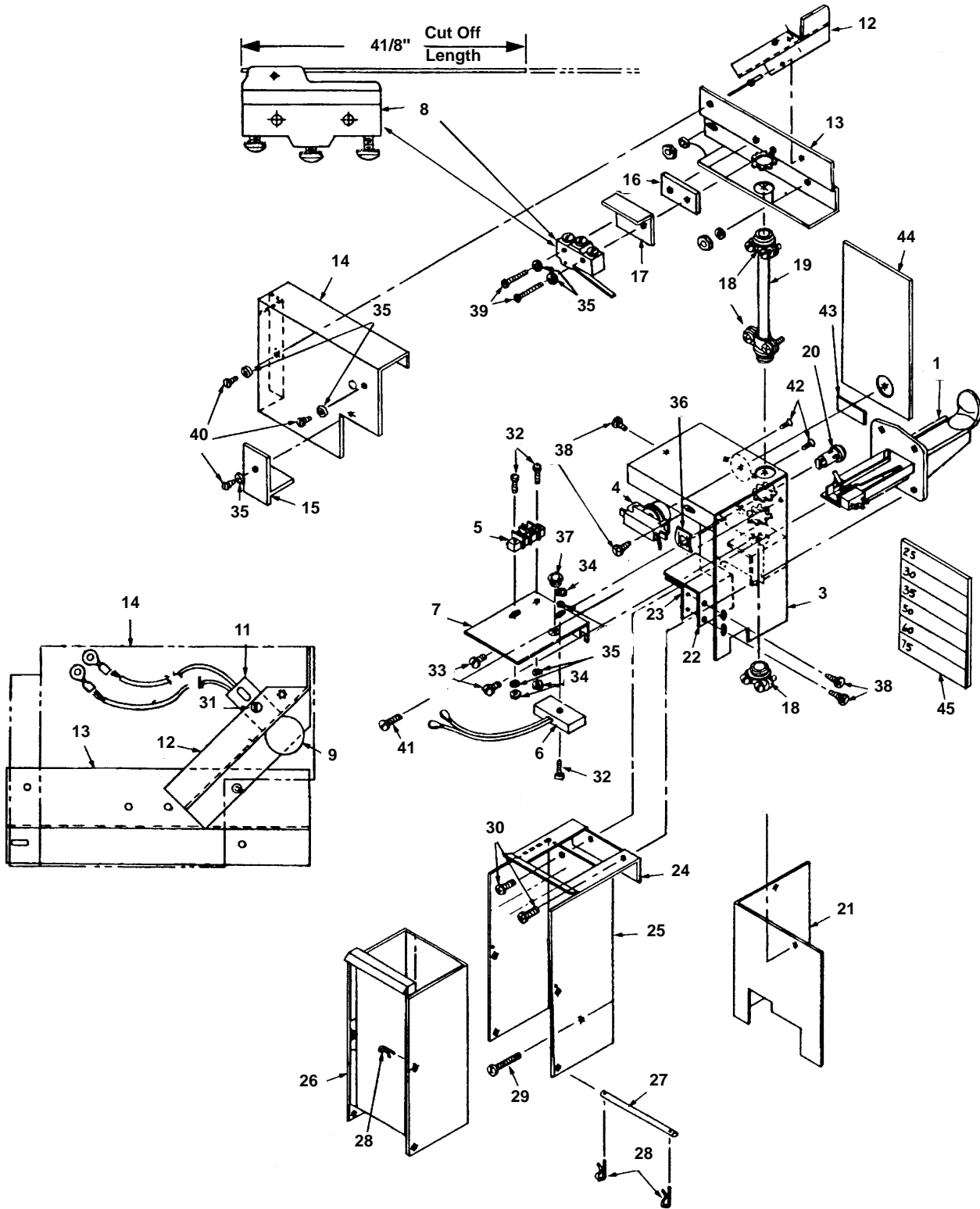
2161

**Ice Button Box Assembly for
Key Operated Units**

| DESCRIPTION | PART NO. |
|--------------------------------------|---------------------|
| 1 Room Key Cylinder | No Longer Available |
| 2 Screw, 1/4 – 20 x 3/4" Set | No Longer Available |
| 3 Hole Plug – 7/8" | 4301463 |
| 4 Ice Button Box Weldment. | No Longer Available |
| 5 Connector. | No Longer Available |
| 6 Ice Button Cover | No Longer Available |
| Key Cylinder Bracket | No Longer Available |
| 7 Push Button Switch | † 2301063 |
| 8 Switch Mounting Bracket | No Longer Available |
| 9 Screw, 6-32 x 5/16" Slot Pan Head | † 5022379 |
| 10 Lockwasher, #8 Split Pins | † 5544609 |
| 11 Screw, #8 x 1/2" | † 5124649 |
| 12 Groundscrew #10-32 | † 5027019 |
| 13 Screw, #8-32 x 3/8" Phil. Head. | † 5025519 |
| 14 Screw, #6-32 x 3/8" Slot Pan Head | † 5022419 |
| 15 Label, Insert Room Key | No Longer Available |
| 16 Lockwashers | † 5544079 |

† Refer to Cross Reference Guide

HCA330 COIN OPERATED ICE SWITCH DETAIL



2162

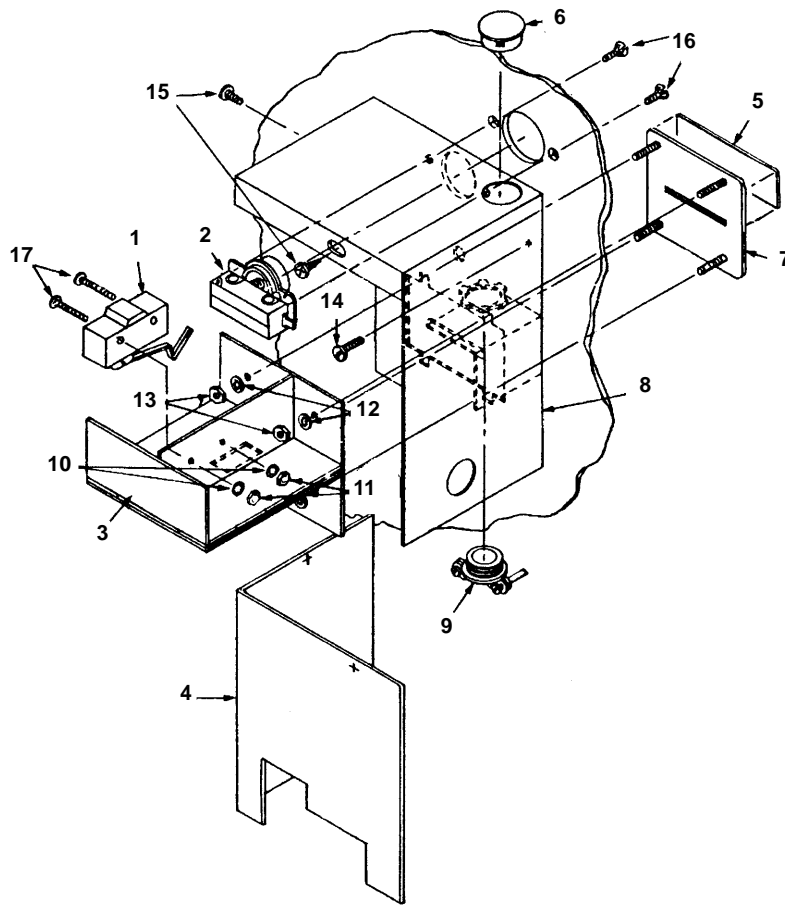
HCA330 COIN OPERATED ICE SWITCH DETAIL, CONTINUED

| DESCRIPTION | PART NO. |
|--|---------------------|
| 1 Coin Chute, 25 Cent or Token | No Longer Available |
| 2 Coin Chute 50 Cent | No Longer Available |
| 3 Ice Button Box Weldment. | No Longer Available |
| 4 Push Button Switch | † 2301063 |
| 5 Terminal Block | No Longer Available |
| 6 Heater – 115V* | 2202113 |
| 7 Heater Bracket | No Longer Available |
| 8 Microswitch | 2301183 |
| 9 Incandescent Lamp 60 Hz | No Longer Available |
| 10 Incandescent Lamp 50 Hz | No Longer Available |
| 11 Lamp Holder. | No Longer Available |
| 12 Lamp Holder Bracket | No Longer Available |
| 13 Microswitch Bracket | No Longer Available |
| 14 Chute Switch Cover | No Longer Available |
| 15 Tamper Proof Bracket | No Longer Available |
| 16 Microswitch Spacer | No Longer Available |
| 17 Insulator | No Longer Available |
| 18 Connector. | No Longer Available |
| 19 Cord Assembly. | No Longer Available |
| 20 Indicator Light – 125V | No Longer Available |
| 21 Ice Button Box Cover | No Longer Available |
| 22 Fish Paper | No Longer Available |
| 23 Switch Guard | No Longer Available |
| 24 Tamper Cover. | No Longer Available |
| 25 Coin Box Enclosure | No Longer Available |
| 26 Coin Box Weldment | No Longer Available |
| 27 Coin Box Pivot | No Longer Available |
| 28 Hairpin (Cotter). | † 3712031 |
| 29 Screw, #10-32 x 1" | No Longer Available |
| 30 Screw, #10-32 x 1/2" | No Longer Available |
| 31 Screw, #10-32 x 3/16" | No Longer Available |
| 32 Screw, #6-32 x 5/8" | † 5022399 |
| 33 Screw, #10-32 x 3/8" | No Longer Available |
| 34 Hex Nut, #6-32" | No Longer Available |
| 35 Lockwasher #6. | No Longer Available |
| 36 Speed Nut | † 5475049 |
| 37 Bushing | 2500031 |
| 38 Screw, #8-1/2" | † 5124649 |
| 39 Screw, #6-32 x 1-1/4" | No Longer Available |
| 40 Screw, #6-32 x 5/16" | † 5022379 |
| 41 Ground Screw | † 5027019 |
| 42 Screw, #6-32 x 3/8" | † 5022409 |
| 43 Label, Empty Light | No Longer Available |
| 44 Label, "NO ICE" | 8131873 |
| 45 Label, Coin Designation. | No Longer Available |
| 46 Toggle Switch for Coin Chute. | No Longer Available |

* 230V parts, see Page 15.

† Refer to Cross Reference Guide

HRA340 KEY CARD DETAIL



2164

DESCRIPTION

| DESCRIPTION | PART NO. |
|-------------------------------------|---------------------|
| 1 Access Switch | 6270314 |
| 2 Push Button Switch | † 2301063 |
| 3 Access Switch Bracket | 6640514 |
| 4 Ice Button Box Cover | No Longer Available |
| 5 Label, Insert Room Key | No Longer Available |
| 6 Hole Plug, 7/8" | 4301463 |
| 7 Key Card Access Plate | No Longer Available |
| 8 Ice Button Box Weldment | No Longer Available |
| 9 Connector | No Longer Available |
| 10 Lockwasher, #6 | No Longer Available |
| 11 Hexnut #6-32 | No Longer Available |
| 12 Lockwasher, #8 | † 5544599 |
| 13 Hexnut, #8-32 | † 5429069 |
| 14 Ground Screw, #10-32 | † 5027019 |
| 15 Screw, #8-1/2" | † 5124649 |
| 16 Screw, #6-32 x 3/8" | † 5022409 |
| 17 Screw, #6-32 x 1" | No Longer Available |

† Refer to Cross Reference Guide

H300 DISPENSER – 230V PARTS LIST

All parts are the same as 60 Hz Model with the following exceptions:

| DESCRIPTION | PART NO. |
|---|---------------------|
| Drive Motor/Gear Reducer Assembly | † 7626833 |
| Drive Motor Only | 7626823 |
| Mechanical Relay (Used Only on Coin-Op) | 2408103 |
| Dual Delay Timer 230V | No Longer Available |
| Indicator Lamp | No Longer Available |
| Heater 230V | No Longer Available |
| Run Capacitor 20 MFD 370V | † 8503413 |

INTENTIONALLY LEFT BLANK