



Ice Machine Parts List for F Series Ice Storage Bins Models

F700

FC1350

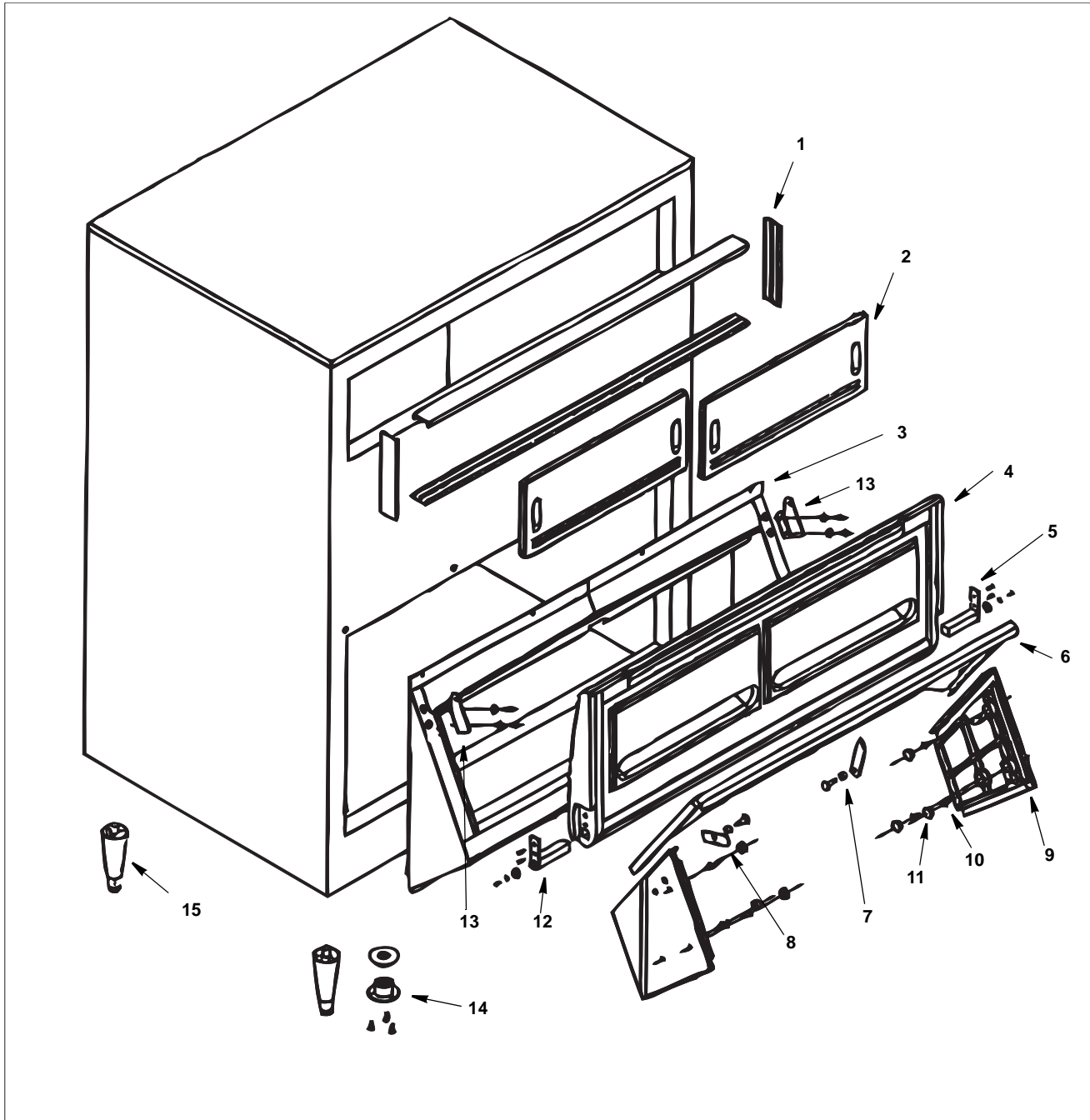
F1300

F1325

F1475

F1650

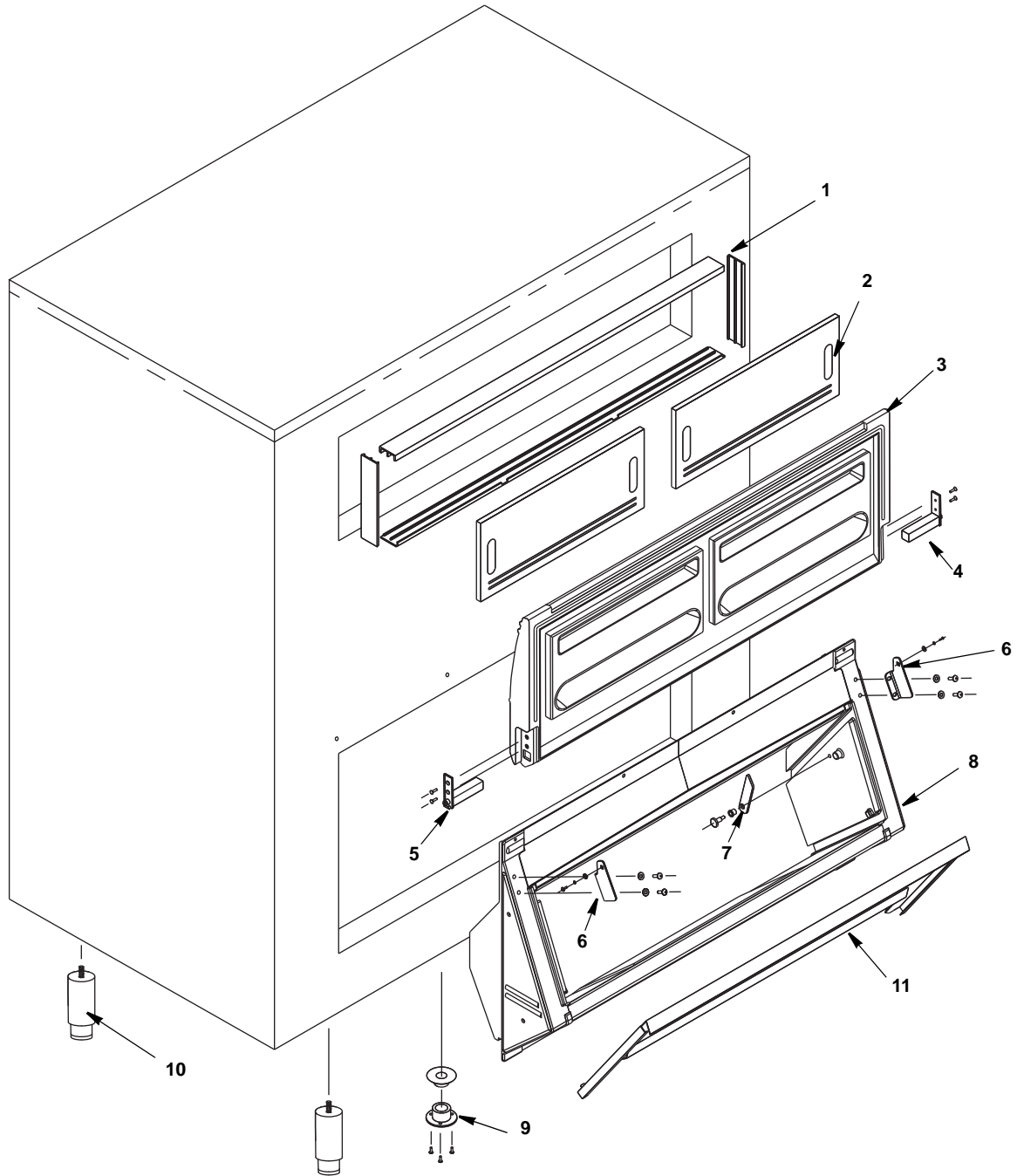
F SERIES STORAGE BINS BEFORE SERIAL NUMBER F10000027



F SERIES STORAGE BINS BEFORE SERIAL NUMBER F10000027

DESCRIPTION	PART NO.
1 Track, Inspection Window	7628823
2 Inspection Window (21.125" x 8.625")	000006589
3 Lower Door Frame Assembly.	7628843
4 Outer Lift Door (Includes Door Hinges and Hardware)	7628853
5 Hinge, Right-hand, Door Mount (Includes Hardware)	000006597
6 Ice Gate	7628873
7 Catch, Ice Gate	000006595
8 Retainer, Ice Gate	7628893
9 End Plate Guides (Pair – Includes Hardware)	7628903
10 Screws, End Plate (3)	7628913
11 Plugs, End Plate (3)	7628923
12 Hinge, Left-hand, Door Mount (Includes Hardware)	000006598
13 Hinges, Left-hand and Right-hand Pair, Bin Mount (Includes Hardware)	000006596
14 Drain Assembly	000006591
15 Legs, 6 inch Adjustable (Set of 4)	7628963

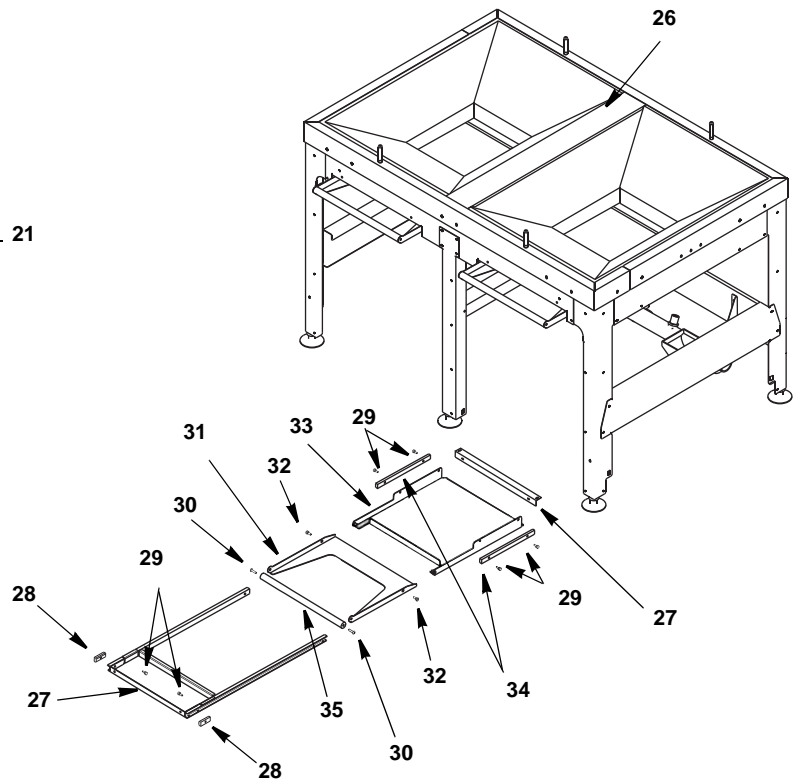
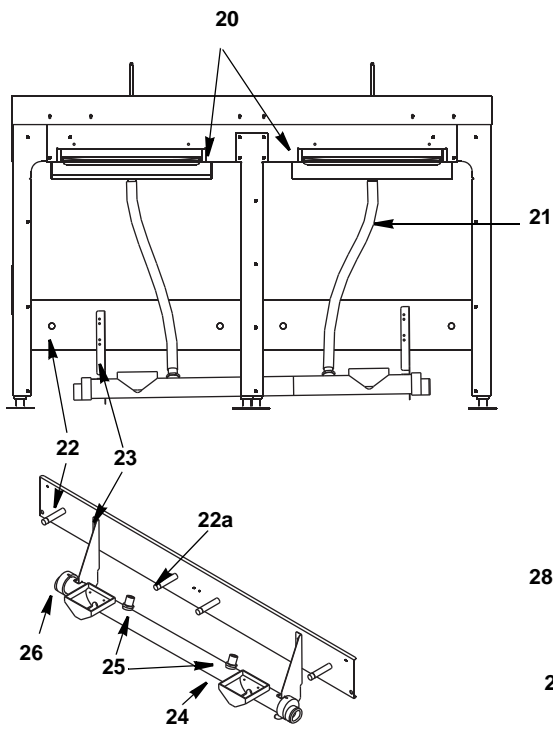
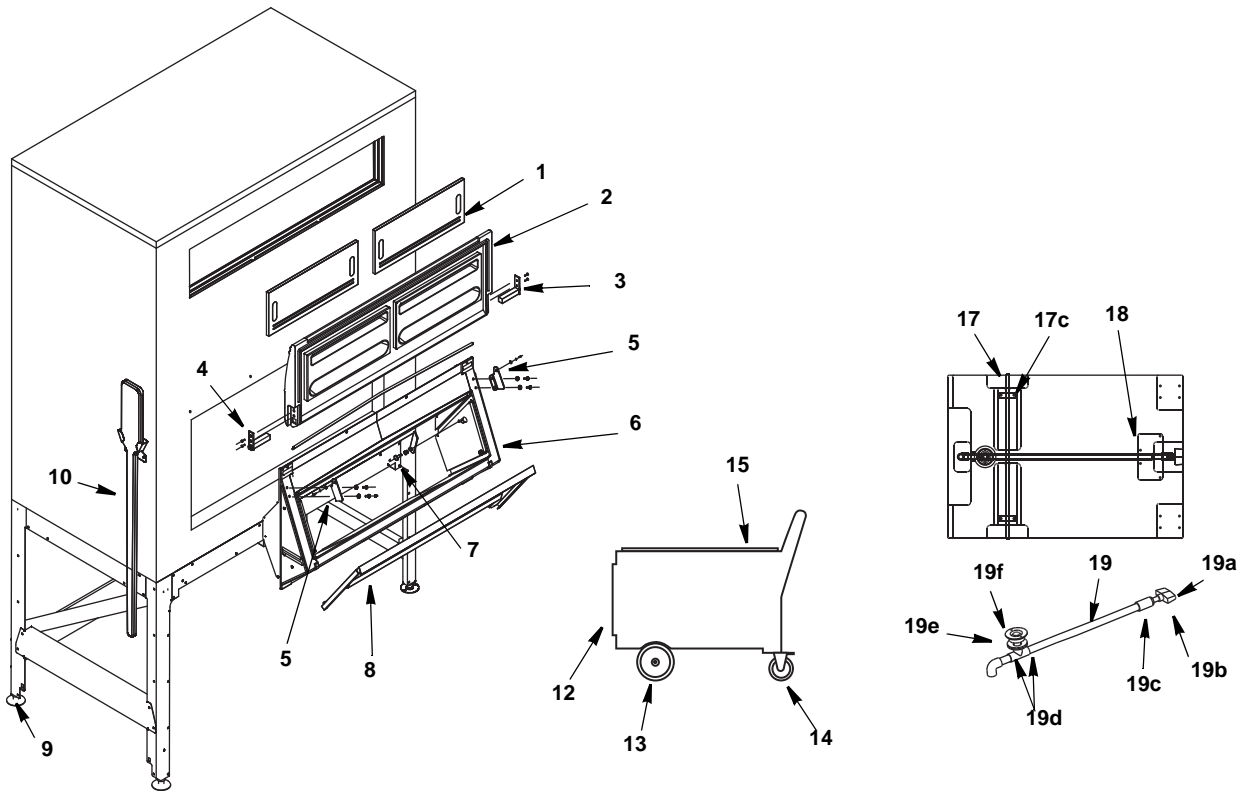
F SERIES STORAGE BINS STARTING WITH SERIAL NUMBER F10000027



F SERIES STORAGE BINS STARTING WITH SERIAL NUMBER F10000027

DESCRIPTION	PART NO.
F700	
1 Track, Inspection Window	000006616
2 Inspection Window (each)	000006585
3 Lift Door 28"	000006588
4 Hinge, Right-hand with Hardware	000006597
5 Hinge, Left-hand with Hardware	000006598
6 Hinge Bracket Left or Right with Hardware	000006596
7 Lower Door Frame Assembly	000006586
8 Catch for Ice Gate	000006595
9 Drain Assembly	000006591
10 Legs, 6 in. Adjustable (Set of 4)	000006590
11 Ice Gated	000006587
12 Label "Gate Operation"	000009111
F1300	
1 Track, Inspection Window - Non-replaceable on this model	
2 Inspection Window (each)	000006589
3 Lift Door 45"	000006594
4 Hinge, Right-hand with Hardware	000006597
5 Hinge, Left-hand with Hardware	000006598
6 Hinge Bracket Left or Right with Hardware	000006596
7 Lower Door Frame Assembly	000006592
8 Catch for Ice Gate	000006595
9 Drain Assembly	000006591
10 Legs, 6 in. Adjustable (Set of 4)	000006590
11 Ice Gate	000006593
12 Label "Gate Operation"	000009111
F1325	
1 Track, Inspection Window - Non-replaceable on this model	
2 Inspection Window (each)	000006589
3 Lift Door 45"	000006594
4 Hinge, Right-hand with Hardware	000006597
5 Hinge, Left-hand with Hardware	000006598
6 Hinge Bracket Left or Right with Hardware	000006596
7 Lower Door Frame Assembly	000006592
8 Catch for Ice Gate	000006595
9 Drain Assembly	000006591
10 Legs, 6 in. Adjustable (Set of 4)	000006590
11 Ice Gate	000006593
12 Label "Gate Operation"	000009111
F1650	
1 Track, Inspection Window - Non-replaceable on this model	
2 Inspection Window (each)	000006589
3 Lift Door 45"	000006594
4 Hinge, Right-hand with Hardware	000006597
5 Hinge, Left-hand with Hardware	000006598
6 Hinge Bracket Left or Right with Hardware	000006596
7 Lower Door Frame Assembly	000006592
8 Catch for Ice Gate	000006595
9 Drain Assembly	000006591
10 Legs, 6 in. Adjustable (Set of 4)	000006590
11 Ice Gate	000006593
12 Label "Gate Operation"	000009111

FC1350 ICE TRANSPORT SERIES



FC1350 ICE TRANSPORT SERIES

DESCRIPTION	PART NO.
FC1350	
1 Inspection Window (each)	00006589
2 Lift Door 45"	00006594
3 Hinge, Right-hand with Hardware	00006597
4 Hinge, Left-hand with Hardware	00006598
5 Hinge Bracket Left or Right with Hardware	00006596
6 Lower Door Frame Assembly	00006592
7 Catch for Ice Gate	00006595
8 Ice Gate	00006593
9 Flanged Foot	00006599
10 Ice Paddle	
a. 46.5" paddle	K00412
b. 58.5" paddle	K00419
11 Shovel	K00414
12 Transport Cart	K00418
13 8" Fixed Wheel	00006612
14 Locking Swivel Caster	00006611
15 Cart Lid	00006610
a. Cart Lid Holder Bracket	00006630
16 Ice Tote	00006631
a. Handle For Ice Tote	00006632
17 Cart Axle	00006613
a. Washer For Cart Axle	00006633
b. Cotter Pin For Cart Axle	00006634
c. Axle Retaining Strap	00006628
18 Drain Support Plate	00006629
19 Cart Drain Assembly	00006614
a. Knob For Drain Rod	00006637
b. Drain Rod	00006636
c. Retaining Bushing For Drain Rod	00006638
d. O-Ring For Drain Assembly (Requires 2)	00006615
e. Drain Assembly Fitting	00006639
f. Vent Plug For Cart	00006635
20 Drain Pan Upper	00006600
21 Vertical Drain Tube	00006601
22 Cart Bumper Cap And Stud	00006618
a. Bumper Cap Only	00006622
23 Bracket Lower Drain Trough	00006619
24 Drain Trough Lower	00006602
25 Vertical Drain Tube Fitting	00006620
26 Lower Drain Trough End Cap	00006621
27 Track Shutter Door	00006603
28 Bearing Spacer	00006624
29 Thumb Screw	00006604
30 Rod Handle Shutter Door Screw	00006625
31 Shutter Door Handle	00006607
32 Shoulder Screw Handle	00006606
33 Shutter Door	00006605
34 Nylon Bearing Strips	00006609
35 Rod Handle Shutter Door	00006623
36 Hopper Joint Cover	00006626
37 Ice Guide (Not Shown - Deflects Ice into cart)	00006608
38 Bracket For Ice Guide (Not Shown - mounts to bin)	00006627
39 Hold Down Strap (Not Shown - Secures Dispense Section To Bin)	00006617

INTENTIONALLY LEFT BLANK