



**Ice Machine Parts List for
AM0360 Series Dispensers
Models**

AM0361

AM0362

Manufactured November 1975 through December 1982

AM0360

OUTER CABINET GROUP

PART NO.

Main Door Assembly	No Longer Available
Right Hand Panel	No Longer Available
Left Hand Panel	No Longer Available
Upper Rear Panel	No Longer Available
Lower Rear Panel (Access)	No Longer Available
Mounting Screw (Lower rear panel to sides)	No Longer Available
Mounting Washer (Upper & lower rear panels to sides)	† 5544079
Mounting Screw (Upper rear panel to sides)	† 5121539

MAIN DOOR ASSEMBLY GROUP

Main Door Assembly	No Longer Available
Door Lock With Key	No Longer Available
Door Lock Key (Master) No. X1328 (Round key)	3060071
Door Lock Locating Pin	No Longer Available
Tapping Plate (Door locating pin)	No Longer Available
Lock Plate (On left hand side panel)	No Longer Available
Push Button Switch Cover	No Longer Available
Push Button Switch Housing & Lamp Holder (See detail C)*	No Longer Available
Push Button Switch Barrier (2 per assembly) (See detail C)*	No Longer Available
Push Button Microswitch Unit (Less wires) (See detail C)*	0700383
Push Button Switch Display Screen (See detail C)*	No Longer Available
Push Button Switch Display Lamp 28 Volts (2 per switch) (See detail C)*	No Longer Available
Stainless Steel Bucket Housing	No Longer Available
Melting Tray Retainer Bracket	No Longer Available
Wing Nut (Mounting melting tray retainer bracket to ice chute housing)	No Longer Available
Hinge Assembly	No Longer Available
Mounting Screw (Hinge to door)	† 5026249
Melting Tray Pan Assembly	No Longer Available
Wire Grill	No Longer Available
Ice Chute Assembly, Long	No Longer Available
Ice Chute Assembly, Short	No Longer Available
Thumbscrew (Mounting ice chute to ice chute housing)	† 5000013
Switch Transformer	No Longer Available
Wing Nut (Mounting bucket housing to door)	No Longer Available
Key Ice Switch Used Up to SN 09033	No Longer Available
Key (For key operated ice switch 2300781)	No Longer Available
Key Ice Lock, SN 09034 to 09730	3060133
SN 10178 to 11647	
SN AC0100 to AC0299	
Microswitch (For key to ice switch)	No Longer Available
Key, for Lock 3060133, No. A2500 (Round key)	No Longer Available
Key Ice Lock, SN 10178 to 10377	3060153
Key, for Lock 3060153, Keyed Individually	Order through Sales Dept.
Key Ice Lock, Starting SN AF1500 and on (Flat key)	No Longer Available
Key, for Lock 3060183 Master (Flat key)	No Longer Available
Speed Grip Door Lock Nut (Starting SN 10178)	No Longer Available
Door Lock Bracket (For lock nut)	† 6520824
Key Ice Kit (Push button to key conversion)	No Longer Available
Uses Key	No Longer Available
Contactor (To start drive motor)	† 7621923
Kit to Change From Key to Push Button	0700383

*Items Comprise the Push Button Ice Switch Assembly

AM0360, CONTINUED

GEAR DRIVE & MOTOR ASSEMBLY GROUP

PART NO.

Gear Drive Motor	No Longer Available
Gear Reducer	No Longer Available
Motor Mounting Bracket (Front)	6529714
Motor Mounting Bracket (Rear)	No Longer Available
Flat Washer (Mounting bracket to reducer)	† 5573099
Machine Screw (Mounting rear support bracket to rear bracket)	† 5032369
Lockwasher (Mounting rear support bracket to rear bracket)	† 5545109
Machine Screw (Mounting reducer bracket to base)	† 5032369
Flat Washer (Mounting reducer bracket to base)	† 5573049
Lockwasher (Mounting reducer bracket to base)	† 5545109
Coupling With Set Screw & Spider	No Longer Available
Spider, for Coupling Item 60	No Longer Available

AUGER & BEARING ASSEMBLY

Auger Assembly	No Longer Available
Upper Bearing Assembly	No Longer Available
Upper Bearing (Only)	3730031
Upper Bearing Shaft (Only)	No Longer Available
Upper Bearing Shaft Pin (Only)	No Longer Available
Upper Bearing Housing (Only)	No Longer Available
Lower Bearing Assembly	116911
Lower Bearing Housing (Only)	No Longer Available
Lower Bearing Shaft (Only)	No Longer Available
Lower Bearing Shaft Pin (Only)	No Longer Available
Lower Bearing Seal Housing	No Longer Available
Lower Bearing (Only)	3730031
Lower Bearing Seal	3705011
Lower Bearing Mounting Bolt	No Longer Available
Lower Bearing Mounting Bolt Lock Nut	† 5430029
Upper Bearing Mounting Bolt	No Longer Available
Upper Bearing Mounting Bolt Nut	No Longer Available
Upper Bearing Mounting Bolt Washer	† 5545119
Auger Access Door (Drilled)	† 7619763
Auger Access Door Mounting Thumbscrew	† 5000013
Damper Door for Access Door	No Longer Available
Damper Door Pin Washer	No Longer Available
Auger Ice Deflector	No Longer Available
Deflectors to Adapt to E Series Cuber – Side Ice Deflector	No Longer Available
– Drop Zone Deflector	No Longer Available

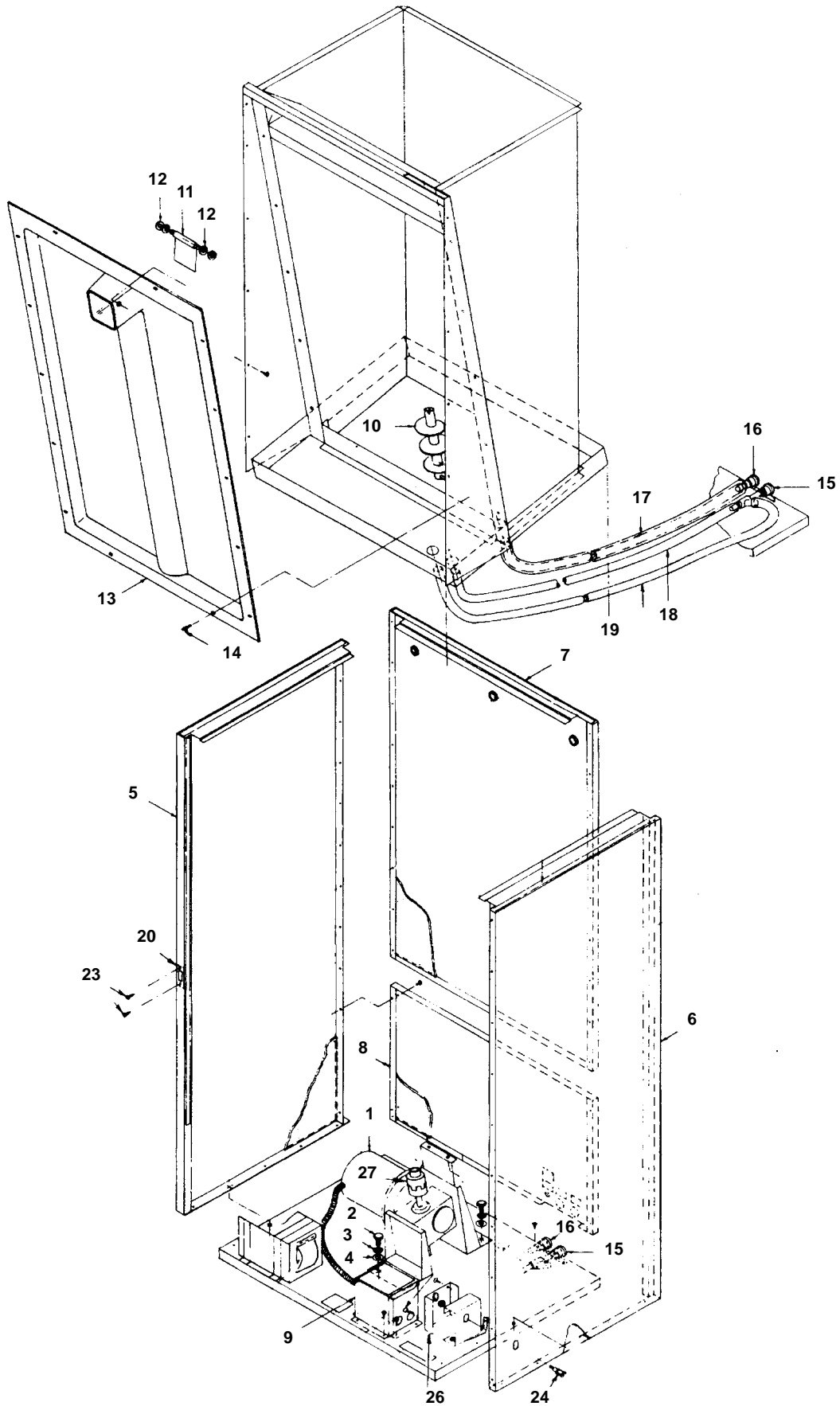
50 CYCLE PARTS:

Gear Train Motor	No Longer Available
Transformer	No Longer Available

† Refer to Cross Reference Guide

AM0360, CONTINUED

CABINET GROUP – DETAIL A



2014

AM0360, CONTINUED

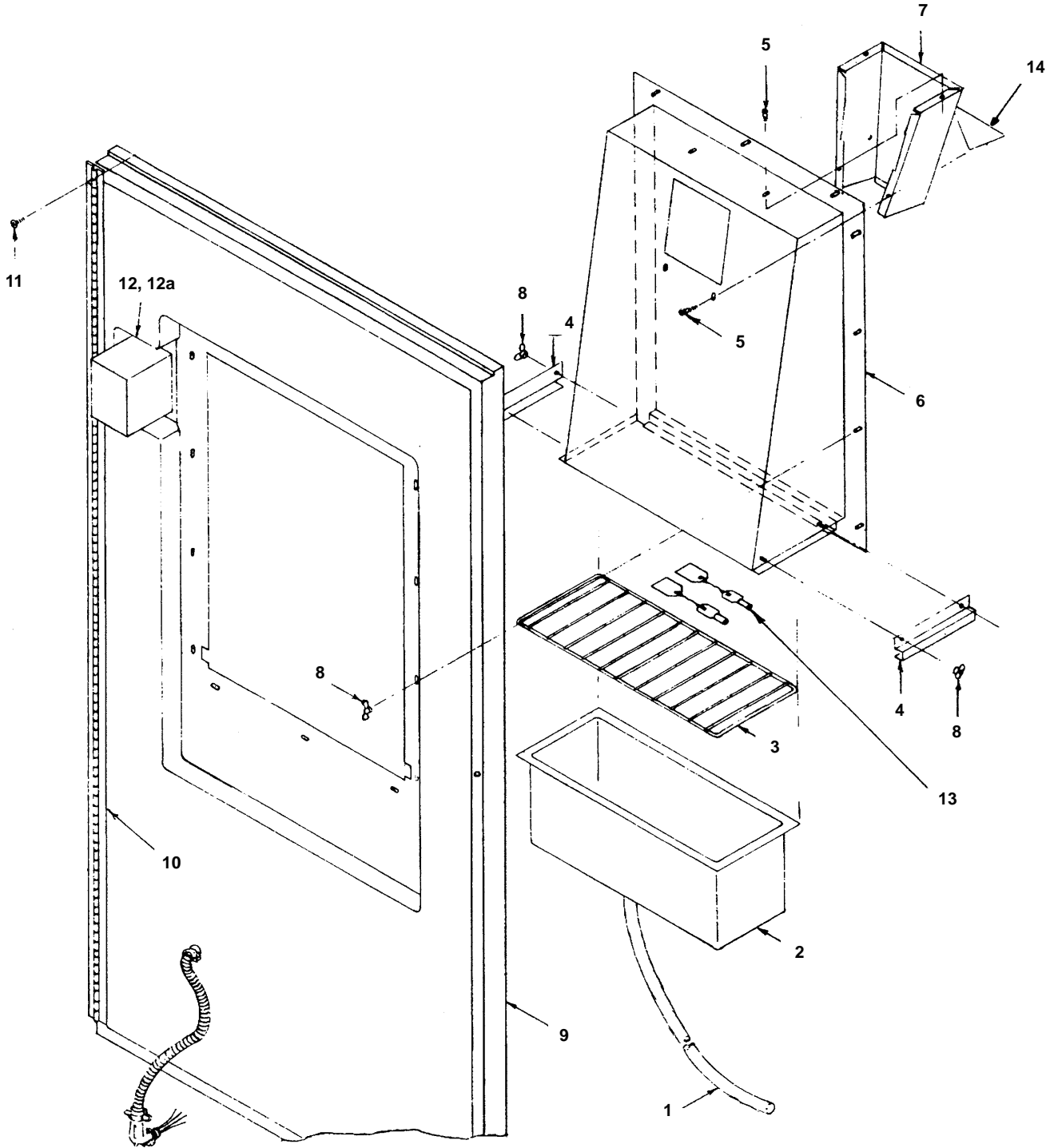
CABINET GROUP – DETAIL A

		PART NO.
1	Gear Drive Mounting Assembly	SEE GEAR DRIVE GROUP
2	Machine Screw, Mount Gear Drive Bracket to Base	† 5032369
3	Lockwasher, Mount Gear Drive Bracket to Base	† 5545109
4	Flatwasher, Mount Gear Drive Bracket to Base	† 5573049
5	Left Hand Side Panel	No Longer Available
6	Right Hand Side Panel	No Longer Available
7	Upper Rear Panel	No Longer Available
8	Lower Access Panel	No Longer Available
9	Junction Box Cover	No Longer Available
10	4" Auger	No Longer Available
11	Damper Door	No Longer Available
12	Washer (Damper door)	No Longer Available
13	Access Door	No Longer Available
14	Access Door (Mounting screws)	† 5000013
15	Drain Fitting	117161
16	Drain Fitting	No Longer Available
17	Tygon Tubing 18" Long	† 4420333
18	Tygon Tubing 21" Long	† 4420333
19	Tygon Tubing 24" Long	† 4420333
20	Lock Plate	No Longer Available
21	Speed Grip Door Lock Nut (Starting SN 10178) (Not shown)	No Longer Available
22	Door Lock Bracket (Not shown)	† 6520824
23	Lock Plate Mounting Screws	† 5026739
24	Key Operated Lock With Key Cam & Nut	3060101
25	Key Only for Lock 3060101 (Not shown)	3060071
26	Key Lock Cover	No Longer Available
27	Coupling With Set Screw	No Longer Available
28	Microswitch (For key operated lock) (Not shown)	No Longer Available
	Master Key for Key Ice Switch (Not shown)	No Longer Available
	Door Lock Nut (Not shown)	No Longer Available
	Door Lock Nut Bracket (Not shown)	No Longer Available

† Refer to Cross Reference Guide

AM0360, CONTINUED

DOOR GROUP – DETAIL B



AM0360, CONTINUED

DOOR GROUP DETAIL B		PART NO.
1	Tygon Tube	† 4420333
2	Melting Tray	No Longer Available
3	Wire Grill	No Longer Available
4	Melting Tray Retainer Bracket	6032714
5	Ice Spout Mounting Knurled Screw	† 5000013
6	Bucket Housing	155982
7	Ice Spout Assembly (Long)	300431
8	Wing Nut (Mounting bucket housing)	No Longer Available
9	Door Assembly	No Longer Available
10	Door Hinge	No Longer Available
11	Door Hinge Mounting Screw	† 5026249
12	Cover, Push Button Ice Switch Box (See Main Door Group for Push Button Assembly)	No Longer Available
12a	Cover, Key Ice Box Cover	6020814
13	Key (Ice lock out & main door lock)	3060071
14	“Place Container Here” (Decal)	No Longer Available

AM0360, CONTINUED

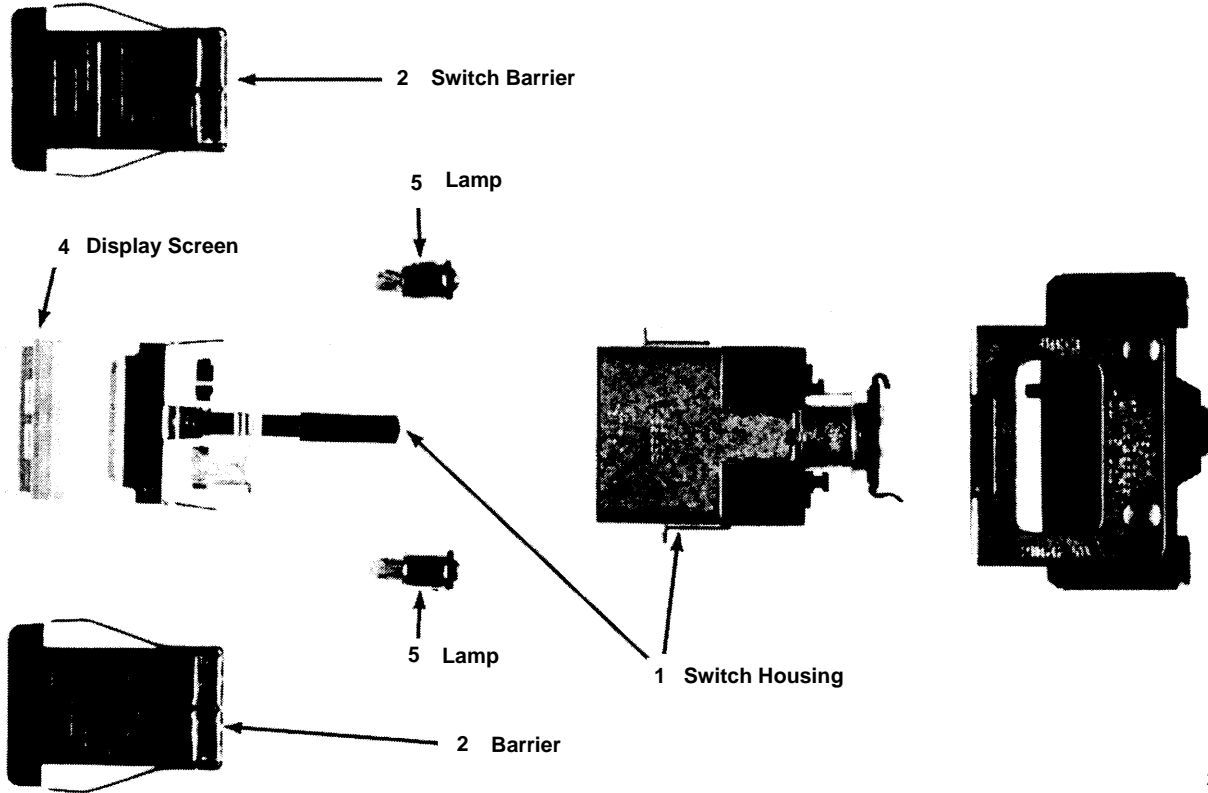
0700383 SWITCH REPLACEMENT KIT

PART NO.

Actuator Button	No Longer Available
Microswitch	No Longer Available
Exterior Plate	No Longer Available
Backup Plate	No Longer Available
Hex Nuts	No Longer Available

NOTE: Original switch not available – use 0700383 Kit

PUSH BUTTON SWITCH – DETAIL C



2017

1 Push Button Switch Housing and Lamp Holder	No Longer Available
2 Push Button Switch Barrier 2 Per	No Longer Available
3 Push Button Switch Unit (Less wires) Microswitch	See Note Above
4 Push Button Switch Display Screen	No Longer Available
5 Push Button Switch Lamp 28 Volt 2 Per	No Longer Available



Ice Machine Parts List for

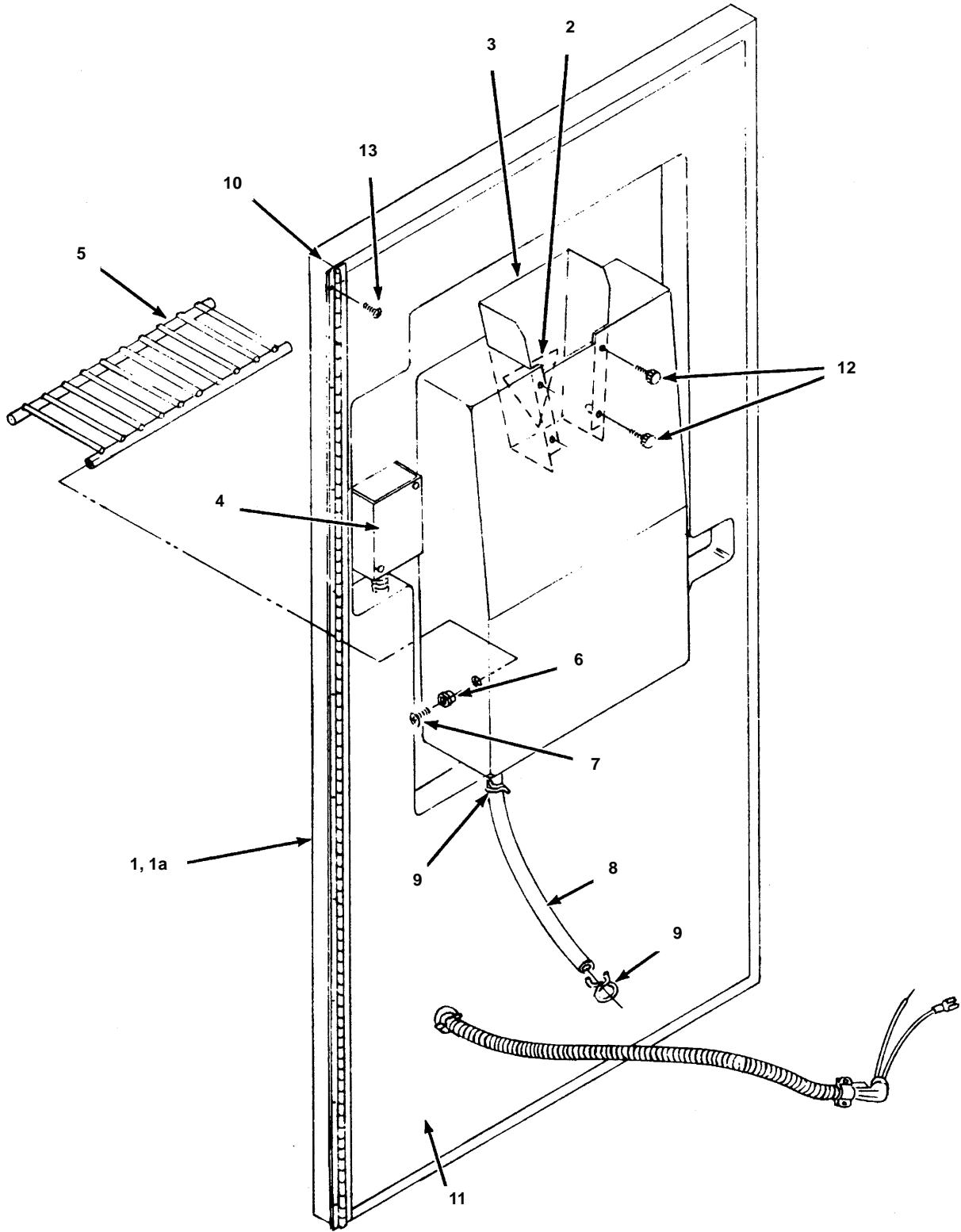
AM0361

AM0362

Starting with SN 81070926

AM0361

DOOR GROUP – DETAIL C



AM0361, CONTINUED

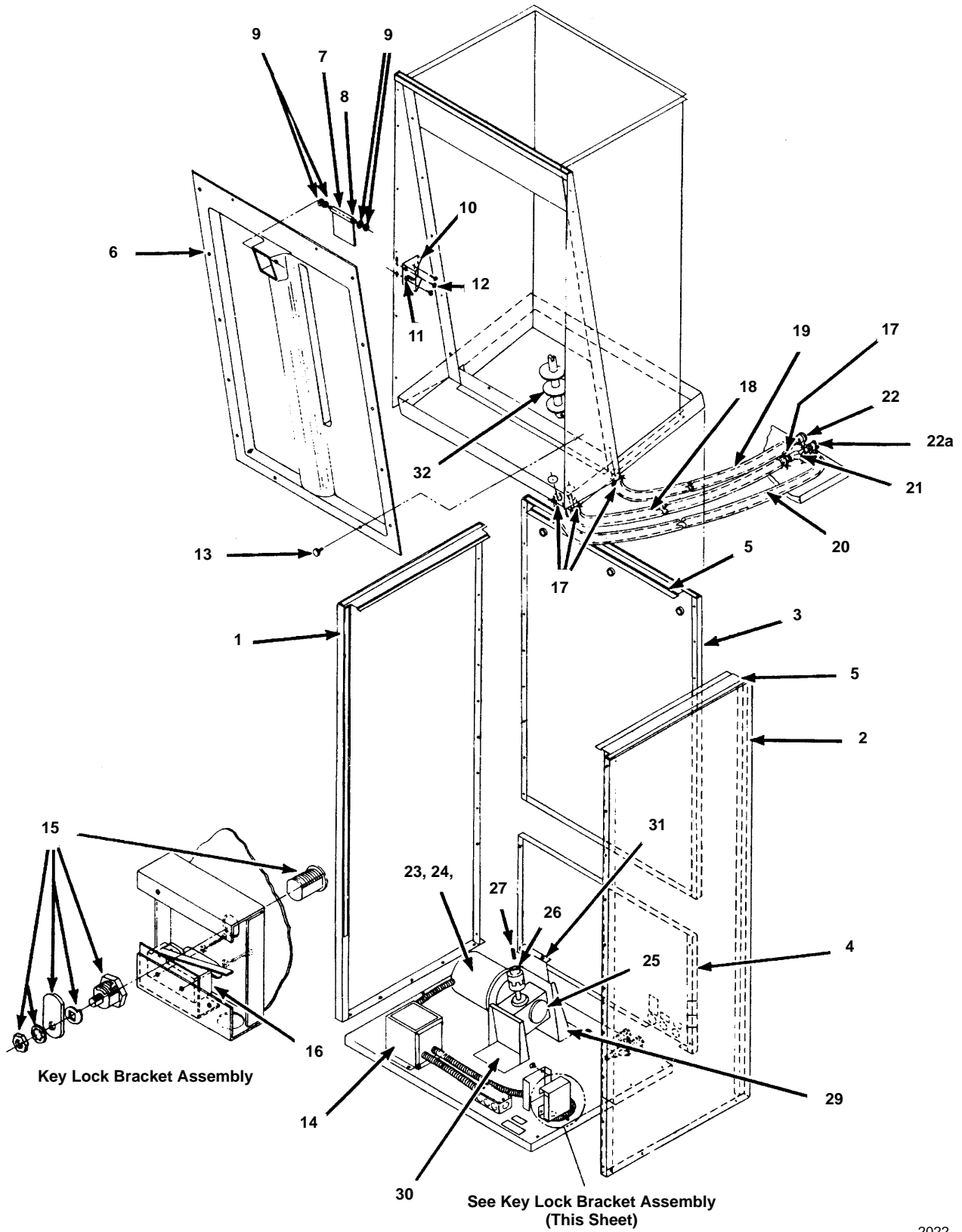
DOOR GROUP DETAIL C

PART NO.

1	Main Door Assembly With Push Button	No Longer Available
1a	Main Door Assembly With Key Operated Switch	No Longer Available
2	Label "Place Container Below"	No Longer Available
3	Ice Chute With Label & Foam Tape	† 7619423
4	Electrical Box Cover	No Longer Available
5	Wire Grill	No Longer Available
6	Nylon Bushing	No Longer Available
7	#8-32 Machine Screw	† 5026249
8	Vinyl Tubing	† 4420333
9	Spring Clamps	5650381
10	Door Hinge	No Longer Available
11	Front Door Liner	No Longer Available
12	Thumbscrew, Mounting Ice Chute	† 5000013
13	#8-32 x 1/2" Small Screw (Mounting hinge)	† 5026249
14	Push Button Ice Switch (Not shown)	(See Page 15)
15	Key Operator Ice Switch (Not shown)	(See Page 16)
16	Door Lock Complete With Key (Not shown)	No Longer Available
17	Key (For key operated switch no. 3060101) (Not shown)	3060071

AM0361, CONTINUED

MAIN CABINET GROUP – DETAIL D



2022

AM0361, CONTINUED

MAIN CABINET GROUP DETAIL D

PART NO.

1	Left Hand Side Panel	No Longer Available	
2	Right Hand Side Panel		130191
3	Upper Rear Panel		130151
4	Lower Rear Access	No Longer Available	
5	Foam Tape		† 9202489
6	Auger Access Door	No Longer Available	
7	Damper Door	No Longer Available	
8	Shaft	No Longer Available	
9	Flatwasher	No Longer Available	
10	Door Lock Bracket	No Longer Available	
11	Door Lock Nut	No Longer Available	
12	S.M. Screw		† 5121539
13	Thumbscrew		† 5305049
14	Contactors		† 7621923
15	Key Operated Switch With One Key		3060101
16	Microswitch	No Longer Available	
17	Spring Clamps		5650381
18	Vinyl Tubing 21" Long		† 4420333
19	Vinyl Tubing 18" Long		† 4420333
20	Vinyl Tubing 23" Long		† 4420333
21	Tee	No Longer Available	
22	Adapter Fitting Assembly (Water drain)	No Longer Available	
22a	Adapter Fitting Assembly (Melting tank)		117161
23	Key Only (For switch 3060101) (Not shown)		3060071

GEAR DRIVE MOTOR AND AUGER GROUP DETAIL D

24	Drive Motor 60 Hz 501	No Longer Available	
	Driver Motor 50 Hz 501 (Blador)	No Longer Available	
25	Gear Reducer	No Longer Available	
26	Coupling (Complete)	No Longer Available	
27	KeyWay	No Longer Available	
28	Spider (Not shown)	No Longer Available	
29	Rear Bracket	No Longer Available	
30	Front Bracket Motor Mounting		6529714
31	Rear Liner Support	No Longer Available	
32	4" Auger Complete	No Longer Available	

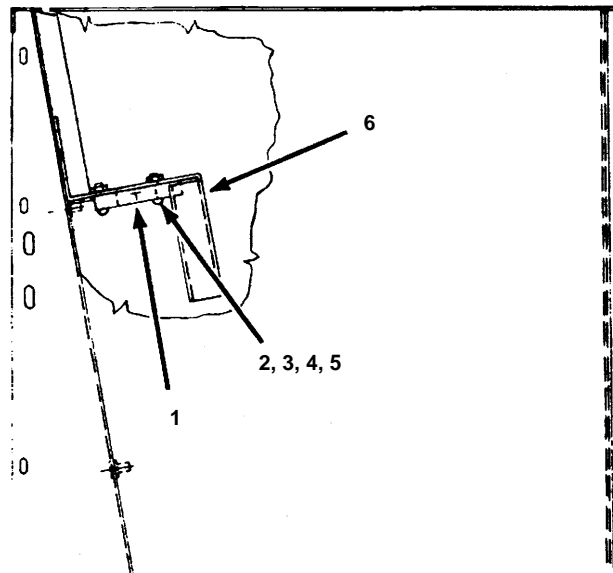
AUGERS BUILT AFTER 12991 CONSIST OF:

(1)	Cotterless Clevis Pin		3712083
(1)	Lower Coupling		5031190
(10)	4" Auger Flightings		5031191
(1)	Upper Bearing		4302043
(1)	Auger Shaft	No Longer Available	

† Refer to Cross Reference Guide

AM0361, CONTINUED

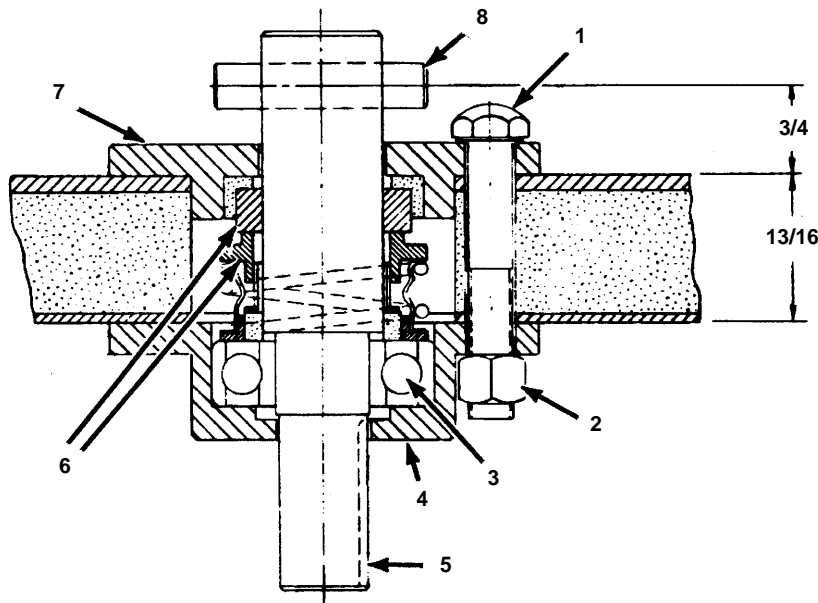
BEARING GROUP



2024A

UPPER BEARING

	PART NO.
1 Auger Bearing.....	No Longer Available
2 #10-32 Machine Screw.....	No Longer Available
3 Flat Washer.....	† 5504279
4 #10 Lockwasher.....	No Longer Available
5 #10-32 Hex Nut.....	No Longer Available
6 Auger Bearing Bracket.....	No Longer Available



2024B

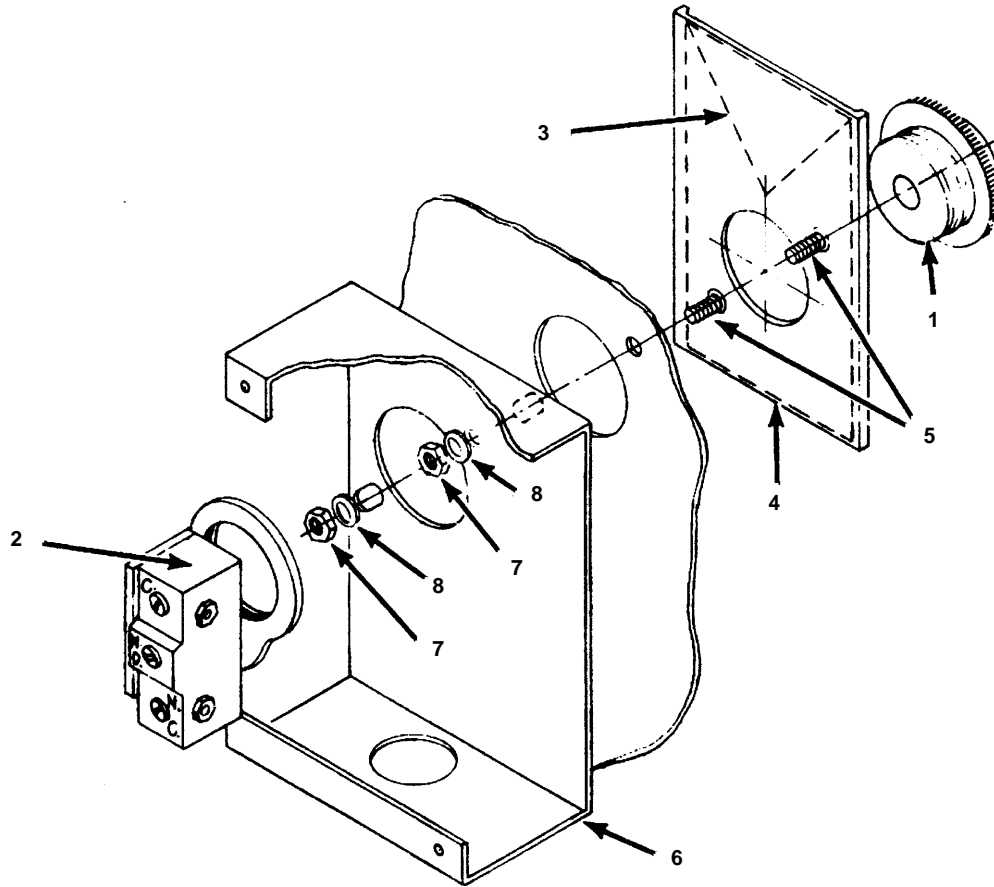
LOWER BEARING AUGER SECTION VIEW

	PART NO.
1 3/8-16 x 2-1/4" Bolt.....	No Longer Available
2 Hex Lock Nut.....	† 5430029
3 Bearing.....	3730031
4 Lower Bearing Housing.....	No Longer Available
5 Lower Bearing Shaft.....	3710191
6 Lower Seal With Seat.....	3705011
7 Housing Lower Seal.....	No Longer Available
8 Pin Lower Bearing Shaft.....	No Longer Available
9 Lower Bearing Housing Assembly (includes Items 3, 4 & 5).....	116911

† Refer to Cross Reference Guide

AM0361, CONTINUED

PUSH BUTTON ICE SWITCH GROUP



2025

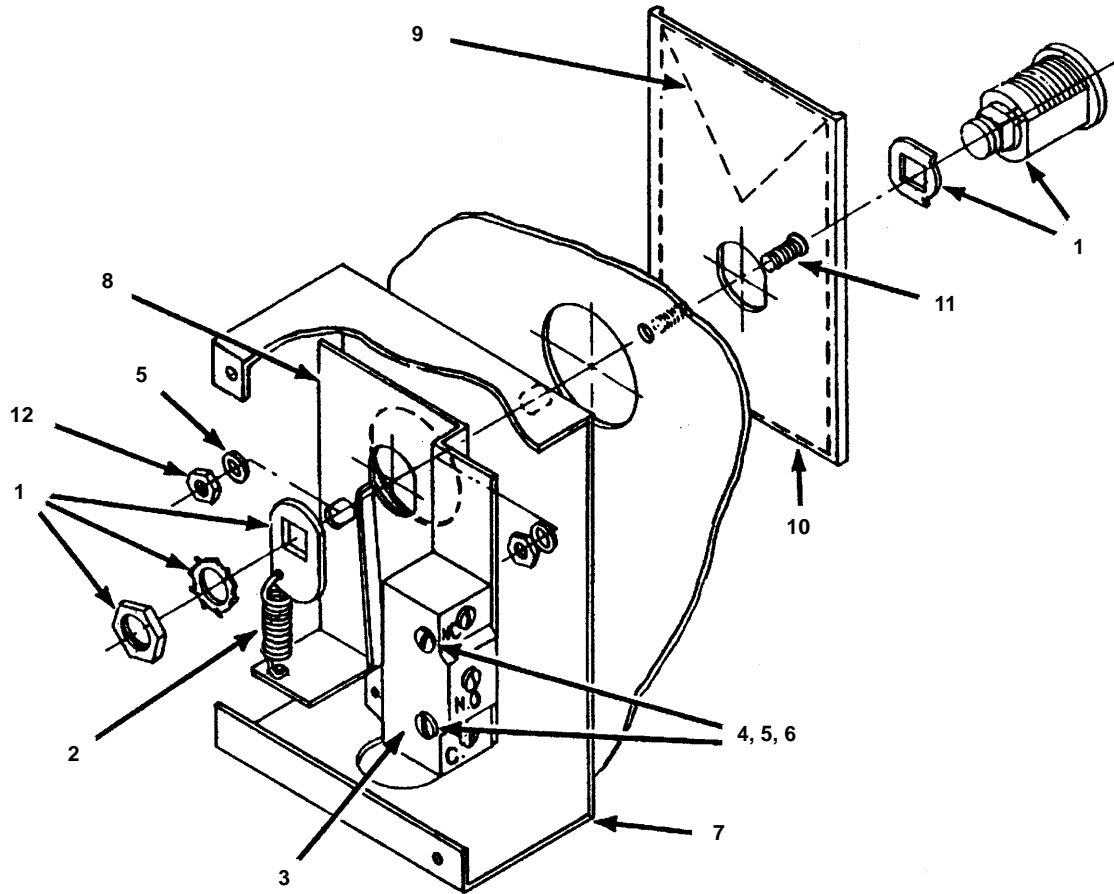
PUSH BUTTON AM0361

	PART NO.
1 Manual Push Button Actuator	No Longer Available
2 Microswitch Push Button	No Longer Available
3 Label "Ice" (AM0362 only)	No Longer Available
4 Exterior Mounting Plate	No Longer Available
5 #6-32 x 1/2" Phil. Head Machine Screws	No Longer Available
6 Enclosure Ice Switch	No Longer Available
7 #6-32 Hex Nut	No Longer Available
8 No. 6 Lockwasher	No Longer Available

† Refer to Cross Reference Guide

AM0362

KEY OPERATED ICE SWITCH GROUP



2026

KEY OPERATED ICE SWITCH GROUP

	PART NO.
1 Ice Key Lock Complete	No Longer Available
2 Extension Spring	No Longer Available
3 Microswitch	No Longer Available
4 #6-32 Machine Screw	No Longer Available
5 #6 Lockwasher	No Longer Available
6 Switch Insulator	No Longer Available
7 Enclosure Ice Switch	No Longer Available
8 Key Switch Bracket	No Longer Available
9 Label Ice	No Longer Available
10 Exterior Mounting Plate	3203273
11 #6-32 x 1/2" Phil. Head Screw	No Longer Available
12 #6-32 Hex Nut	No Longer Available
13 Master Key	No Longer Available

† Refer to Cross Reference Guide