

# ELECTRICAL DIAGRAM

MALLET & COMPANY  
MODEL PPO-500  
SEPTEMBER 5, 2019

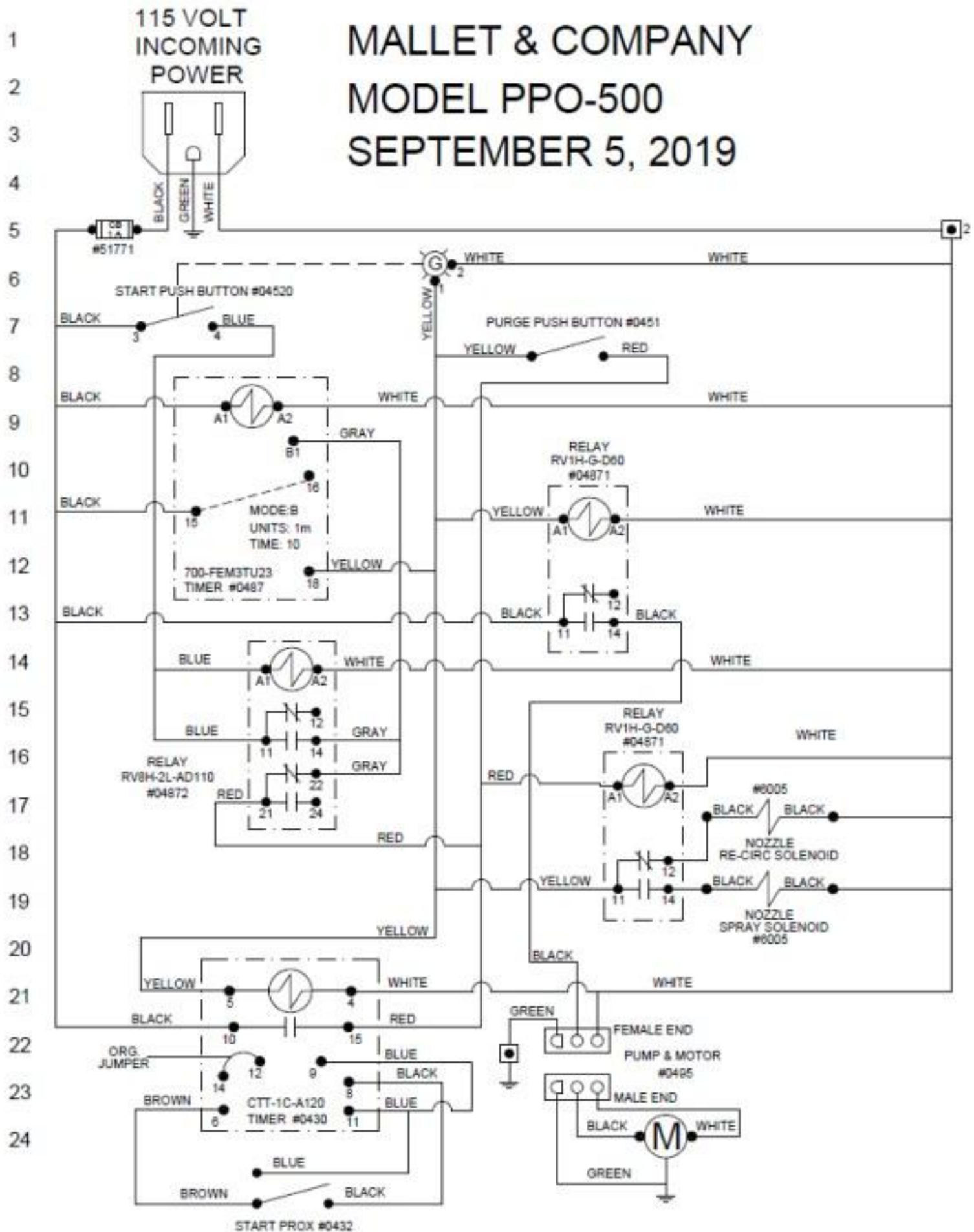


Figure 4. Electrical Diagram

# DIAGRAMA ELÉCTRICO

## MALLET & COMPANY MODEL PPO-500 SEPTEMBER 5, 2019

