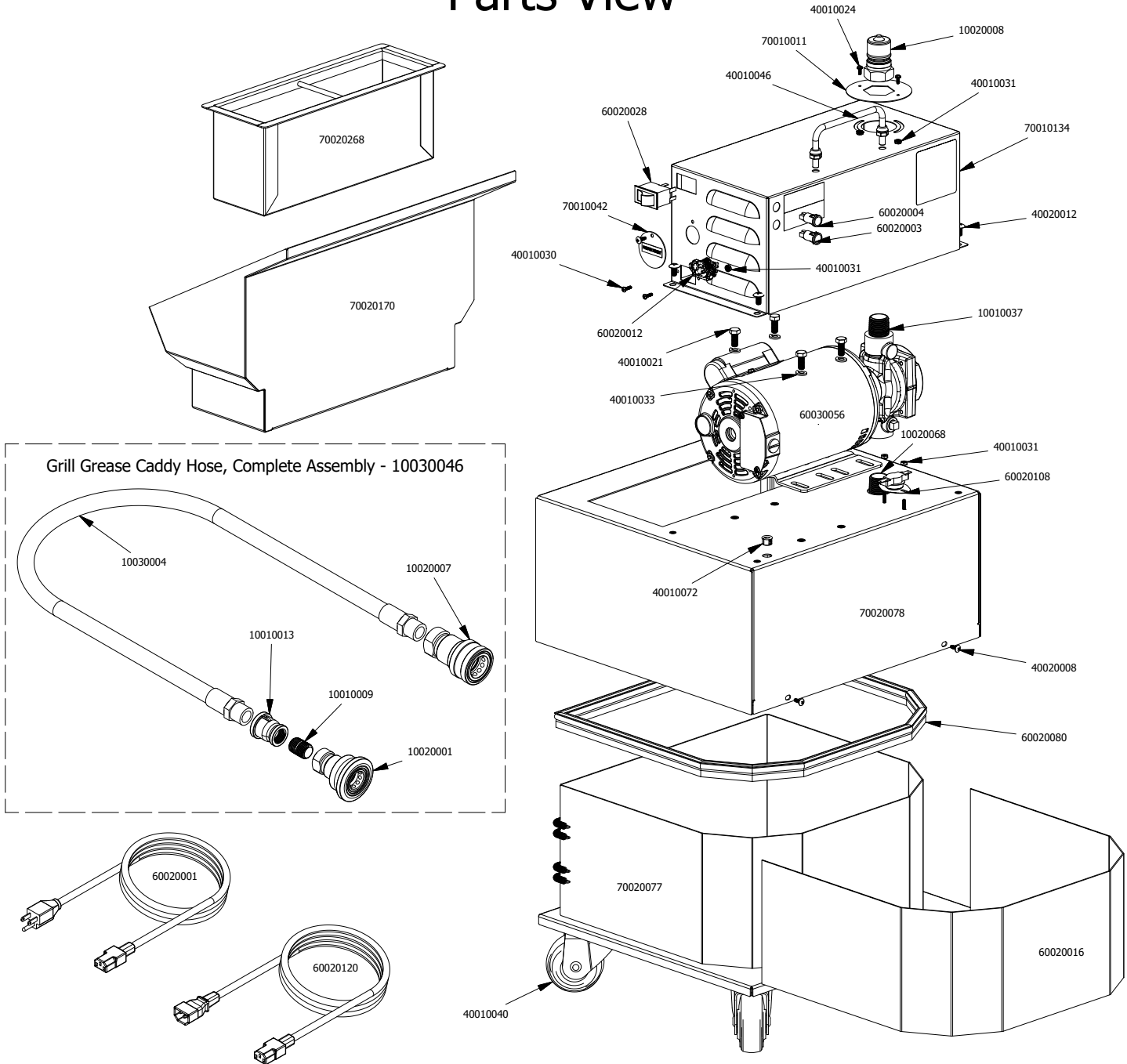


LS3-60-NA-GG Parts View

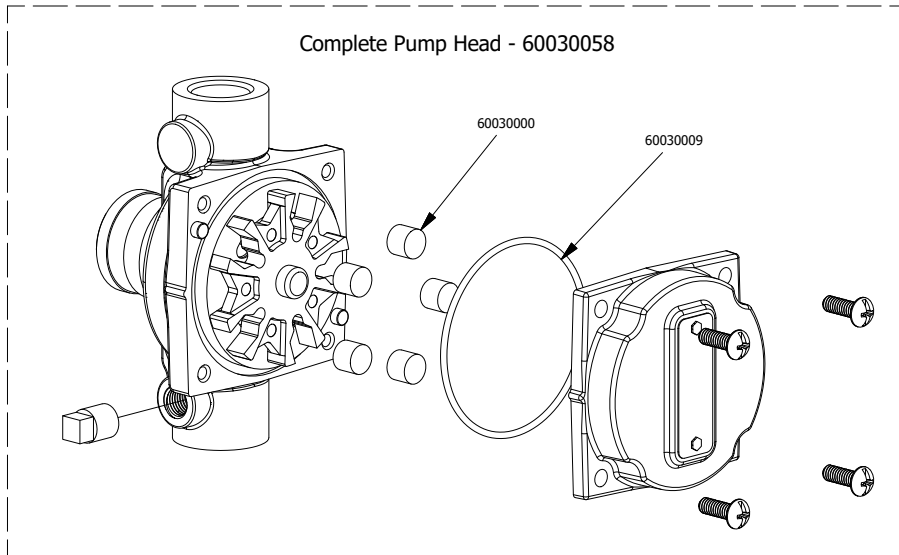
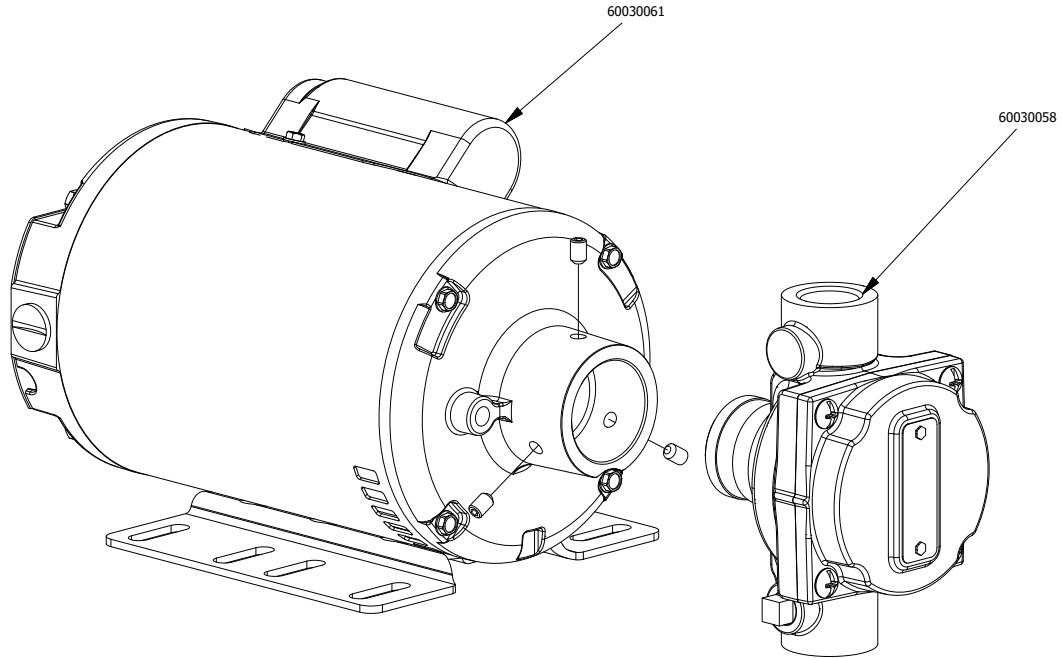


Part Number	Description	Qty	Part Number	Description	Qty
10010037	3/4" Galv. Close Nipple	1	60020001	Caddy Power Supply Cord, NEMA 5-15 for US Outlet	1
10020008	3/4" Quick Disconnect Fitting, Nipple, Food Grade	1	60020003	Amber indicator Light 125 V 1/2 w	1
10020068	Grill Grease Caddy Suck Pipe	1	60020004	Green indicator Light 125 V 1/2 w	1
10030046	Grill Grease Caddy Hose Assembly	1	60020012	Panel Mount Receptacle for Molded Female Caddy Cord	1
10010009	1/2" Galv. Close Nipple	1	60020016	120V 250W Heater Belt	1
10010013	3/4" to 1/2" Galv. Reducing Coupler	1	60020028	On/Off Rocker Switch	1
10020001	1/2" Quick Disconnect Fitting, Coupler, Food Grade	1	60020108	3/4" Disc Thermostat	1
10020007	3/4" Quick Disconnect Fitting, Coupler, Food Grade	1	60020120	Caddy Power Supply Cord, IEC for Control Panel	1
10030004	.750 White Kleenflow Hose, 48"L x 3/4" NPT	1	60030056	HR5 Motor & Pump	1
40010021	5/16"-18 x 3/4" Unslotted Hex Screw	4	70010011	Grill Grease Disconnect Ring	1
40010024	6-32 x 3/8" Panhead Screw	2	70010042	Motor Reset Cover	1
40010030	6-32 x 1/2" Panhead Screw	2	70010134	LS-3-60GG Motor Cover	1
40010031	6-32 Hex Keps Nut	6	70020077	Grill Grease Caddy Rolling Chassis	1
40010033	5/16" Medium Split Lockwasher	4	40010040	3" Swivel Caster, Poly Wheel	4
40010046	Grill Grease Caddy Handle	1	60020080	Edge Grip Gasket	1
40010072	1/2" Split Locking Grommet	1	70020078	LS-1-60GG Body Complete Assembly	1
40020008	10-24 x 1/2" Truss Head Screw	5	70020170	Grill Grease Caddy Chute	1
40020012	1/4" - 20 Truss Head Screw	4	70020268	LS-3-60GG Filter Basket	1

FRONTLINE
international
187 ASCOT PARKWAY
CUYAHOGA FALLS, OH 44223

TITLE LS3-60-NA-GG Parts View
PART NUMBER LS3-60-NA-GG
6/30/20 SHEET 1 OF 3

60030056 Parts View



Part Number	Description	Qty
60030000	5 GPM Roller for Roller Pumps	1
60030009	Silicone O-Ring for Roller Pumps	1
60030058	HR5 Pump Head for 1/2HP Motor	1
60030061	HR5 Motor Only, No Power Cord or Switch	1

FRONTLINE
international
187 ASCOT PARKWAY
CUYAHOGA FALLS, OH 44223

TITLE 60030056 Parts View
PART NUMBER 60030056
10/5/22 SHEET 2 OF 3

2

1

B

B



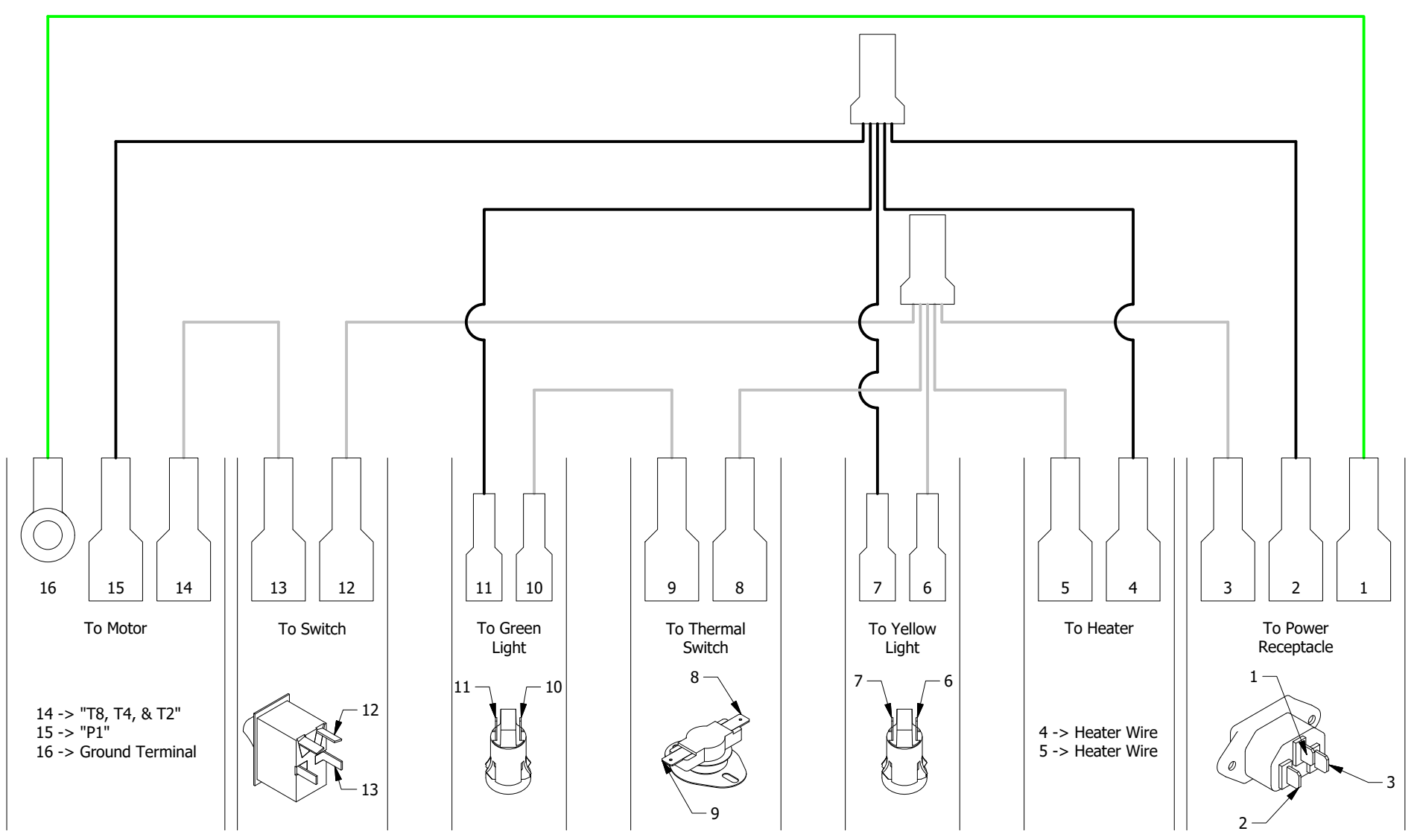
A

A



2

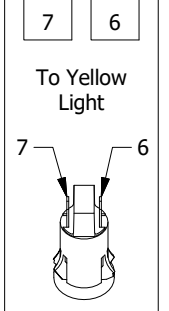
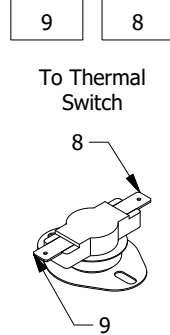
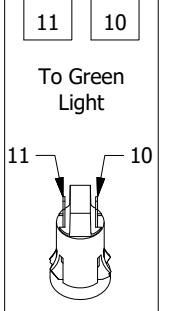
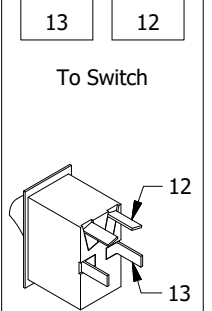
1



16
15
14

To Motor

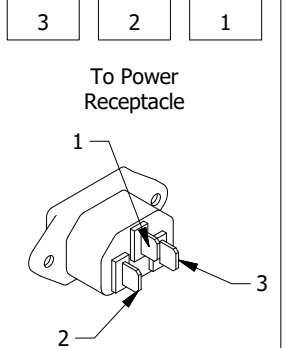
14 -> "T8, T4, & T2"
15 -> "P1"
16 -> Ground Terminal



5
4

To Heater

4 -> Heater Wire
5 -> Heater Wire



TOLERANCES ARE: .XX: ± .010 .XXX: ± .005 ANGULAR: ± .5°	FRONTLINE international 187 ASCOT PARKWAY CUYAHOGA FALLS, OH 44223
THIS DRAWING IS CONFIDENTIAL PROPERTY OF FRONTLINE INTERNATIONAL	
TITLE LS1-60-NA-GG Wiring Diagram	
DRAWN CCB	SHEET 3 OF 3