

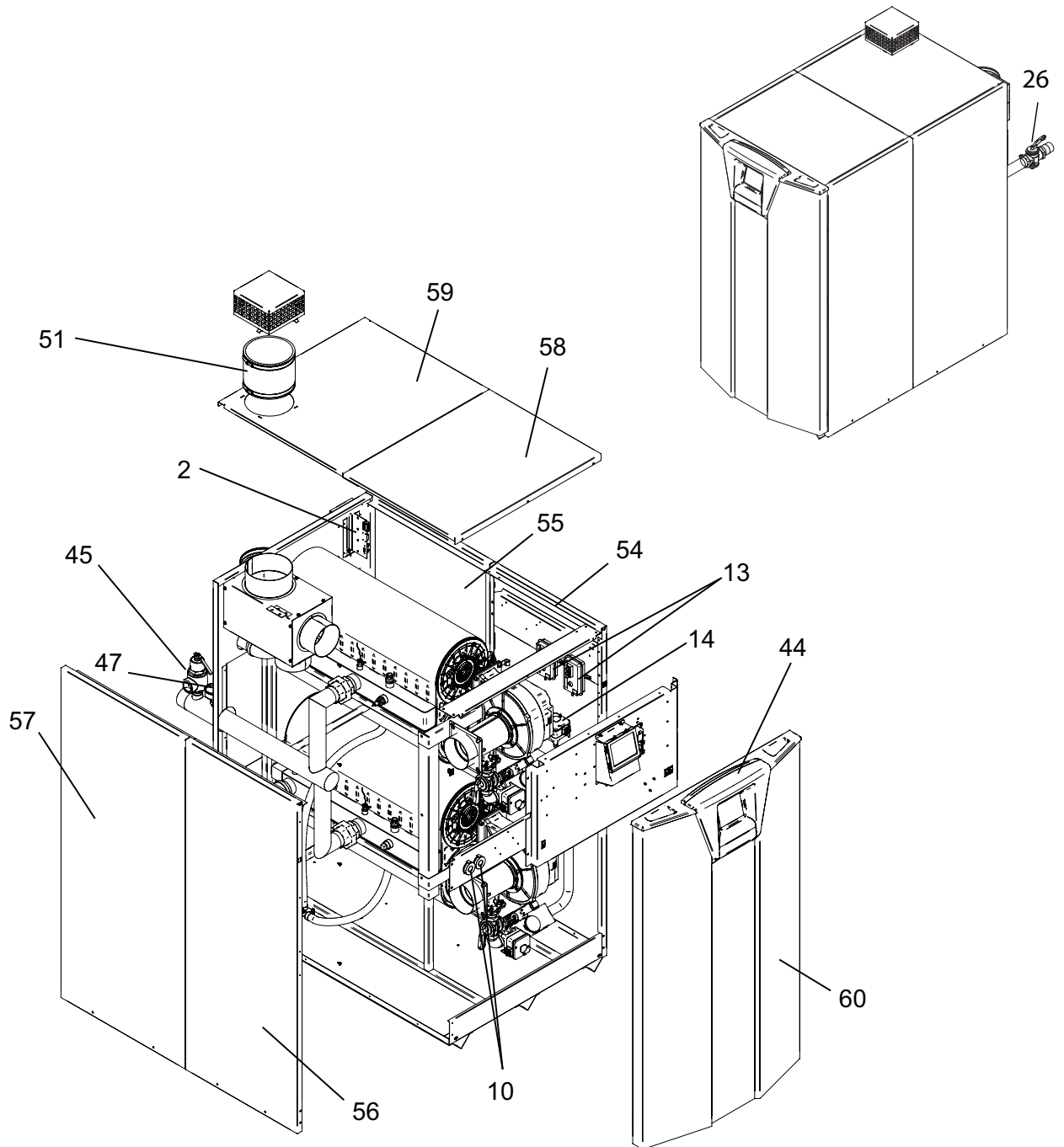


**Lochinvar**<sup>®</sup>  
HIGH EFFICIENCY BOILERS & WATER HEATERS

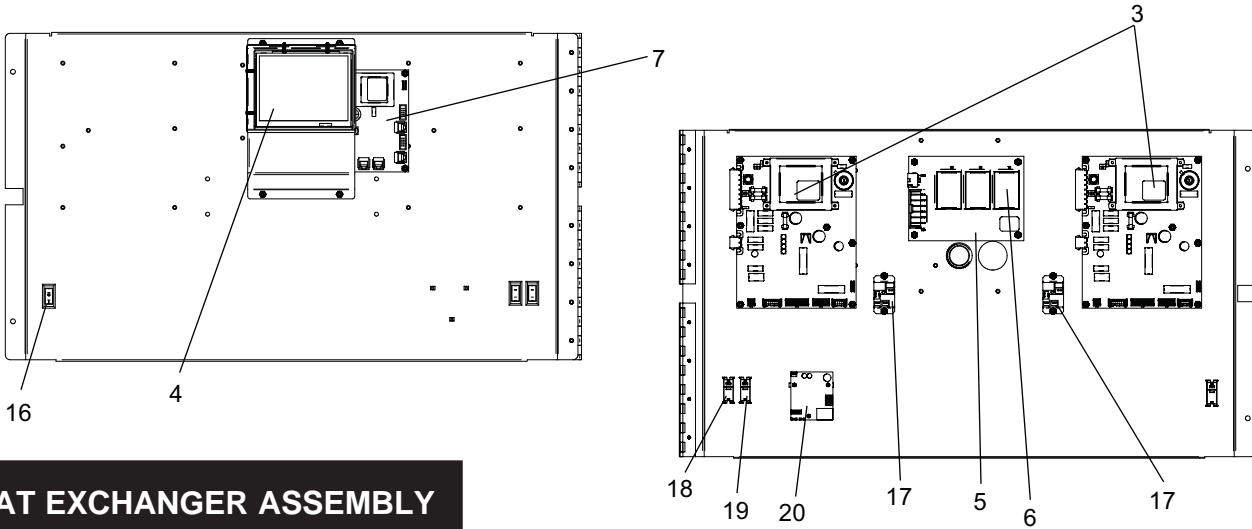
## Replacement Parts List

*PARTS & SERVICE DEPARTMENT*  
Nashville, Tennessee  
615-889-8900 • Fax: 615-882-2918  
parts\_team@lochinvar.com  
www.Lochinvar.com

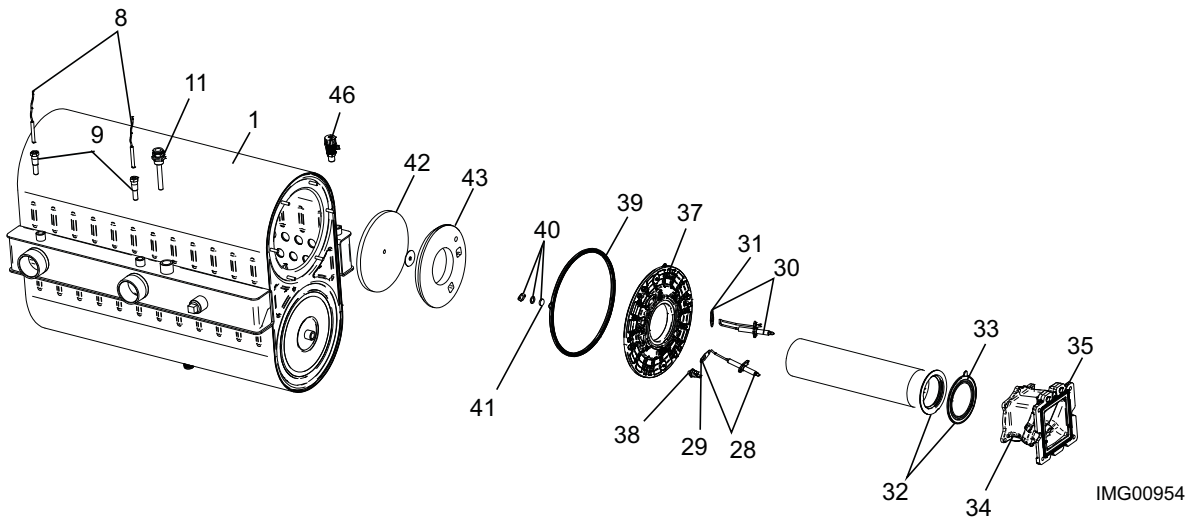
**SYNC**<sup>®</sup>  
Condensing Boilers  
SB 1000 - 1500



# CONTROL PANEL ASSEMBLY

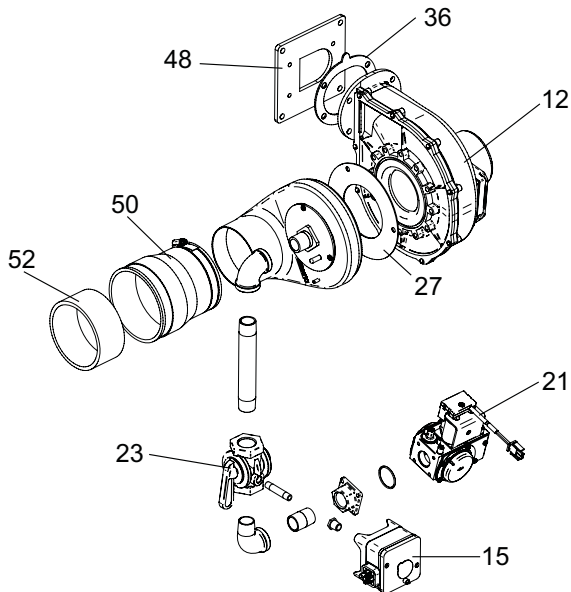


# HEAT EXCHANGER ASSEMBLY

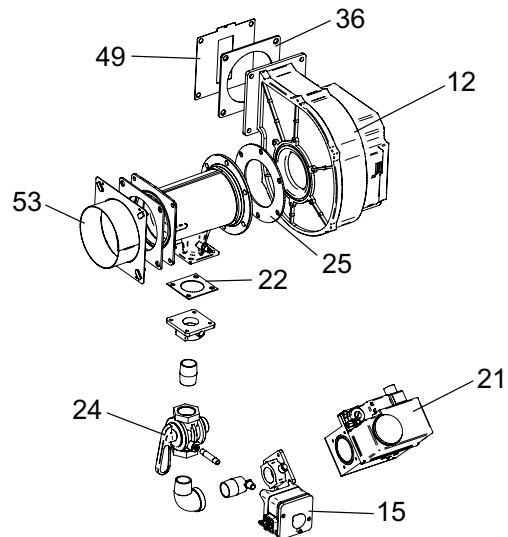


IMG00954

# GAS TRAIN SB 1000



# GAS TRAIN SB 1300, 1500



| ITEM NO.                       | PART NO.  | DESCRIPTION   | MODEL        |
|--------------------------------|-----------|---|--------------|
| <b>HEAT EXCHANGER ASSEMBLY</b> |           |   |              |
| 1                              | 100147302 | HEAT EXCHANGER  | SB 1000      |
| 1                              | 100147303 | HEAT EXCHANGER  | SB 1300      |
| 1                              | 100147304 | HEAT EXCHANGER  | SB 1500      |
| <b>CONTROLS</b>                |           |   |              |
| 2                              | 100208467 | LOW VOLTAGE CONNECTION BOARD                            | ALL          |
| 3                              | 100167550 | INTEGRATED CONTROL PRIOR TO SERIAL #L09                 | SB 1000      |
| 3                              | 100208466 | INTEGRATED CONTROL PRIOR TO SERIAL #L09                 | SB 1300-1500 |
| 3                              | 100208471 | INTEGRATED CONTROL BEGINNING SERIAL #L09                | SB 1000      |
| 3                              | 100208470 | INTEGRATED CONTROL BEGINNING SERIAL #L09                | SB 1300-1500 |
| 3                              | 100167764 | INTEGRATED CONTROL, HIGH ALTITUDE PRIOR TO SERIAL #L09  | SB 1000      |
| 3                              | 100167763 | INTEGRATED CONTROL, HIGH ALTITUDE PRIOR TO SERIAL #L09  | SB 1300-1500 |
| 3                              | 100167790 | INTEGRATED CONTROL, HIGH ALTITUDE BEGINNING SERIAL #L09 | SB 1000      |
| 3                              | 100167789 | INTEGRATED CONTROL, HIGH ALTITUDE BEGINNING SERIAL #L09 | SB 1300-1500 |
| 4                              | 100167788 | LCD DISPLAY PRIOR TO SERIAL L09                         | ALL          |
| 4                              | 100167787 | LCD DISPLAY BEGINNING SERIAL L09                        | ALL          |
| 5                              | 100208493 | PUMP RELAY BOARD  | ALL          |
| 6                              | 100208502 | 1.5HP PUMP RELAY  | ALL          |
| 7                              | 100167544 | ECS CONTROL BOARD PRIOR TO SERIAL L09                   | ALL          |
| 7                              | 100167571 | ECS CONTROL BOARD BEGINNING SERIAL L09                  | ALL          |
| 8                              | 100208552 | INLET/OUTLET SENSOR                                     | ALL          |
| 9                              | 100208569 | BULB WELL, INLET/OUTLET SENSOR                          | ALL          |
| 10                             | 100208179 | MANUAL RESET HIGH LIMIT                                 | ALL          |
| 11                             | 100233695 | BULB WELL, HIGH LIMIT                                   | ALL          |
| 12                             | 100144985 | FAN ASSEMBLY PRIOR TO SERIAL C09                        | SB 1000      |
| 12                             | 100144984 | FAN ASSEMBLY BEGINNING SERIAL C09                       | SB 1000      |
| 12                             | 100145010 | FAN ASSEMBLY PRIOR TO SERIAL C09                        | SB 1300-1500 |
| 12                             | 100144980 | FAN ASSEMBLY BEGINNING SERIAL C09                       | SB 1300-1500 |
| 13                             | 100208393 | AIR PRESSURE SWITCH                                     | ALL          |
| 13                             | 100166112 | AIR PRESSURE SWITCH, HIGH ALTITUDE                      | ALL          |
| 14                             | 100208392 | GAS PRESSURE SWITCH, LOW                                | ALL          |
| 15                             | 100166148 | GAS PRESSURE SWITCH, HIGH                               | ALL          |
| 16                             | 100208242 | ON/OFF SWITCH   | ALL          |
| 17                             | 100208495 | RELAY, 24VAC  | ALL          |
| 18                             | 100169472 | MOMENTARY OFF SWITCH, RED                               | ALL          |
| 19                             | 100169473 | MOMENTARY OFF SWITCH, BLACK                             | ALL          |
| 20                             | 100173747 | LOW WATER CUT-OFF, MANUAL RESET                         | ALL          |
| 20                             | 100173748 | LOW WATER CUT-OFF, AUTO RESET                           | ALL          |
| -                              | 100173648 | PROBE, LWCO   | ALL          |
| -                              | 100173640 | BOOT, LWCO  | ALL          |
| <b>GAS VALVES</b>              |           |   |              |
| 21                             | 100171924 | GAS VALVE ASSEMBLY, NAT                                 | SBN1000      |
| 21                             | 100171925 | GAS VALVE ASSEMBLY, NAT                                 | SBN1300      |
| 21                             | 100171926 | GAS VALVE ASSEMBLY, NAT                                 | SBN1500      |
| 21                             | 100171932 | GAS VALVE ASSEMBLY, LP                                  | SBL1000      |
| 21                             | 100171933 | GAS VALVE ASSEMBLY, LP                                  | SBL1300      |
| 21                             | 100171934 | GAS VALVE ASSEMBLY, LP                                  | SBL1500      |
| 22                             | 100208105 | GAS VALVE GASKET  | SB 1300-1500 |
| 23                             | 100146148 | GAS CUT OFF VALVE - 3/4"                                | SB 1000      |
| 24                             | 100146149 | GAS CUT OFF VALVE - 1X1                                 | SB 1300-1500 |
| 25                             | 100233705 | GASKET, VENTURI   | SB 1300-1500 |
| 26                             | 100171912 | GAS CUT OFF VALVE - 1 1/2"                              | ALL          |
| 27                             | 100233703 | AIR SHROUD GASKET                                       | SB 1000      |

PLEASE HAVE MODEL AND SERIAL NUMBER WHEN ORDERING PARTS

| ITEM NO.   | PART NO.  | DESCRIPTION                                | MODEL        |
|--|-----------|--|--------------|
| <b>PILOT &amp; BURNER ASSEMBLIES</b>                           |           |  |              |
| 28   | 100165931 | FLAME SENSOR W/ GASKET                     | ALL          |
| 29   | 100208091 | GASKET, FLAME SENSOR                       | ALL          |
| 30   | 100165920 | IGNITOR W/ GASKET                          | ALL          |
| 31   | 100208086 | GASKET, IGNITOR                            | ALL          |
| 32   | 100135261 | BURNER W/ GASKET                           | SB 1000      |
| 32   | 100135262 | BURNER W/ GASKET                           | SB 1300      |
| 32   | 100135263 | BURNER W/ GASKET                           | SB 1500      |
| 33   | 100233594 | GASKET, BURNER                             | ALL          |
| 34   | 100173641 | FLAPPER VALVE ASSEMBLY & STABILITOR        | ALL          |
| 35   | 100233609 | GASKET, FLAPPER VALVE                      | ALL          |
| 36   | 100208089 | GASKET, FAN                                | SB 1300-1500 |
| 36   | 100208759 | GASKET, FAN                                | SB 1000      |
| 37   | 100173799 | HEAT EXCHANGER ACCESS DOOR KIT             | ALL          |
| 38   | 100094572 | HEX DOOR TEMP SWITCH BEGINNING SERIAL #F14 | ALL          |
| 39   | 100208093 | GASKET DOOR, RUBBER                        | ALL          |
| <b>MISCELLANEOUS</b>   |           |  |              |
| 40   | 100163249 | SIGHT GLASS                                | ALL          |
| 41   | 100208762 | GASKET, SIGHT GLASS                        | ALL          |
| 42   | 100208061 | DIVIDER PLATE, INSULATION BAFFLE           | ALL          |
| 43   | 100208059 | BURNER PLATE, INSULATION, DOOR             | ALL          |
| 44   | 100162957 | DISPLAY BEZEL                              | ALL          |
| 45   | 100208448 | RELIEF VALVE, 50 PSI                       | ALL          |
| 46   | 100167445 | AIR VENT VALVE                             | ALL          |
| 47   | 100208152 | GAUGE, TRIOMETER, 75# PSI                  | ALL          |
| 48   | 100149666 | ADAPTER, FAN                               | SB 1000      |
| 49   | 100150174 | AIR SHUTTER                                | SB 1300      |
| 50   | 100138385 | COUPLING - 4"                              | SB 1000      |
| 51   | 100138301 | COUPLING - 6"                              | ALL          |
| 52   | 100166490 | INLET STIFFENER                            | SB 1000      |
| 53   | 100151317 | INLET ADAPTER                              | SB 1300-1500 |
| -  | 100208807 | FUSE, 1.25 AMP                             | ALL          |
| -  | 100208231 | FUSE, 3.15 AMP                             | ALL          |
| -  | 100208232 | FUSE, 5 AMP                                | ALL          |
| -  | 100208834 | OUTDOOR AIR SENSOR                         | ALL          |
| -  | 100163242 | CONDENSATE TRAP                            | ALL          |
| -  | 100208243 | BLOCKED DRAIN SWITCH                       | ALL          |
| -  | 100170652 | FLUE TEMP SENSOR KIT                       | ALL          |
| -  | 100157700 | NEUTRALIZER KIT                            | ALL          |
| -  | 100157719 | ALARM BELL KIT                             | ALL          |
| -  | 100157612 | SIDEWALL VENT KIT                          | ALL          |
| -  | 100157628 | HEAT EXCHANGER CLEANING KIT                | ALL          |
| -  | 100208308 | DOOR CATCH                                 | ALL          |
| -  | 100208818 | DOOR STRIKE                                | ALL          |
| -  | 100148402 | LIMIT, HEAT EXCHANGER OVER TEMP            | ALL          |
| -  | 100072940 | HARNESS, UNIT                              | ALL          |
| <b>JACKET ASSEMBLIES</b>                                       |           |  |              |
| 54   | 100149703 | JACKET, OUTER SIDE, RIGHT FRONT            | ALL          |
| 55   | 100151023 | JACKET, OUTER SIDE, RIGHT REAR             | SB 1000      |
| 55   | 100151025 | JACKET, OUTER SIDE, RIGHT REAR             | SB 1300      |
| 55   | 100151027 | JACKET, OUTER SIDE, RIGHT REAR             | SB 1500      |
| 56   | 100149704 | JACKET, OUTER SIDE, LEFT FRONT             | ALL          |
| 57   | 100150469 | JACKET, OUTER SIDE, LEFT REAR              | SB 1000      |
| 57   | 100150470 | JACKET, OUTER SIDE, LEFT REAR              | SB 1300      |
| 57   | 100150471 | JACKET, OUTER SIDE, LEFT REAR              | SB 1500      |
| 58   | 100151052 | JACKET, OUTER FRONT TOP                    | ALL          |
| 59   | 100150167 | JACKET, OUTER REAR TOP                     | SB 1000      |
| 59   | 100150159 | JACKET, OUTER REAR TOP                     | SB 1300      |
| 59   | 100150166 | JACKET, OUTER REAR TOP                     | SB 1500      |
| 60   | 100149685 | JACKET, FRONT DOOR ASSEMBLY                | ALL          |
| <b>PLEASE HAVE MODEL AND SERIAL NUMBER WHEN ORDERING PARTS</b> |           |  |              |