

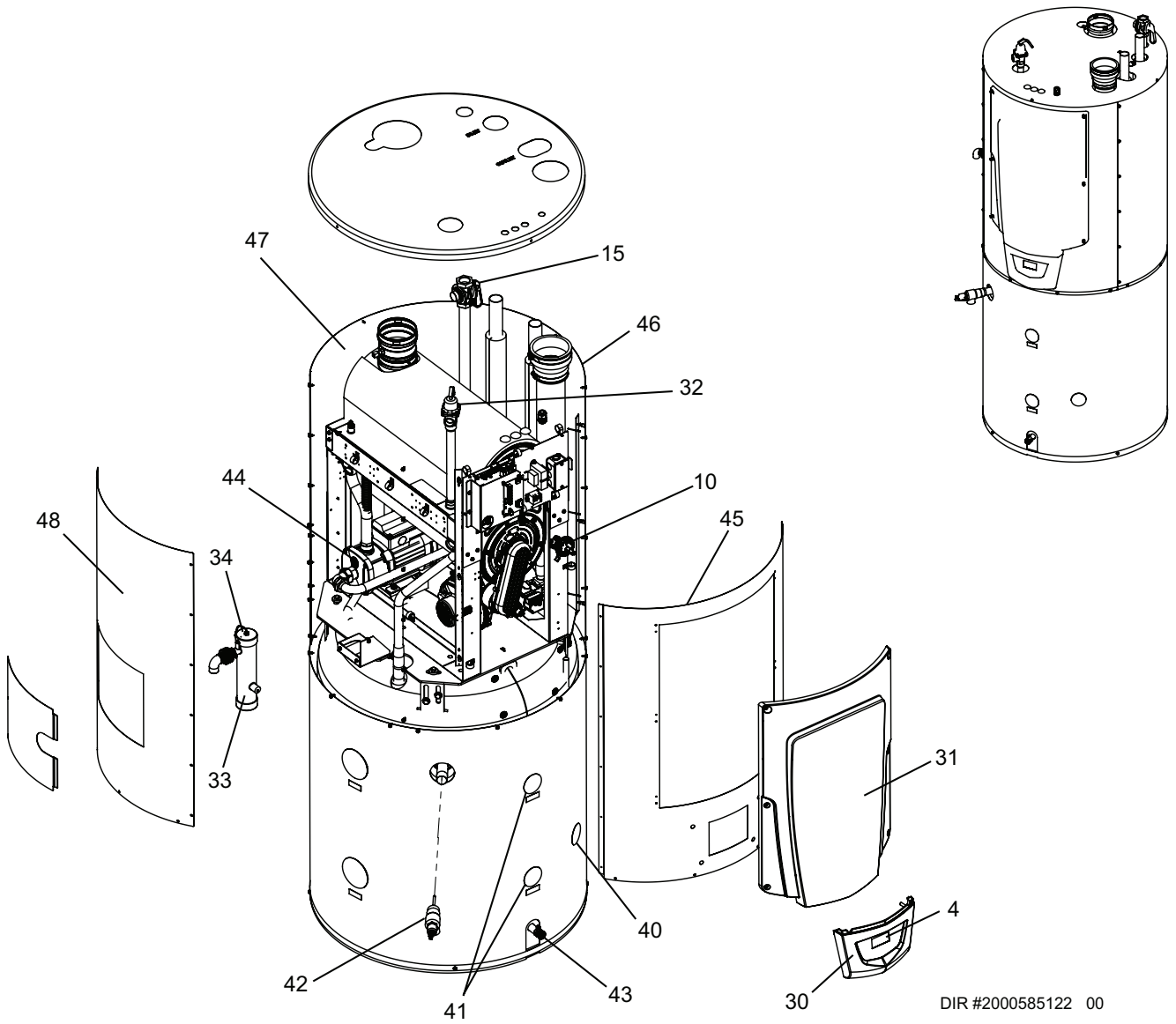


Replacement Parts List

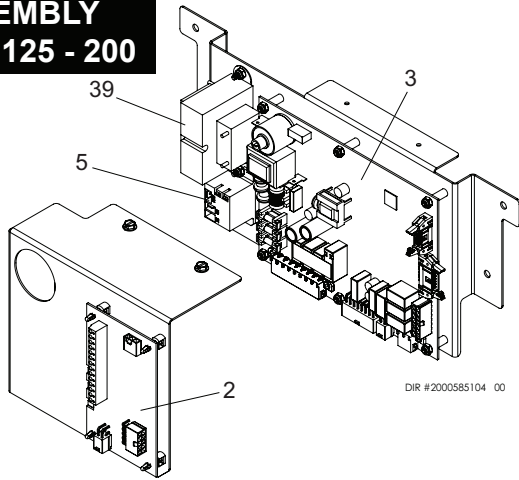
PARTS & SERVICE DEPARTMENT
Nashville, Tennessee
877-554-5544 • Fax: 615-882-2918
parts_team@lochinvar.com
www.Lochinvar.com

SHIELD™ Water Heater

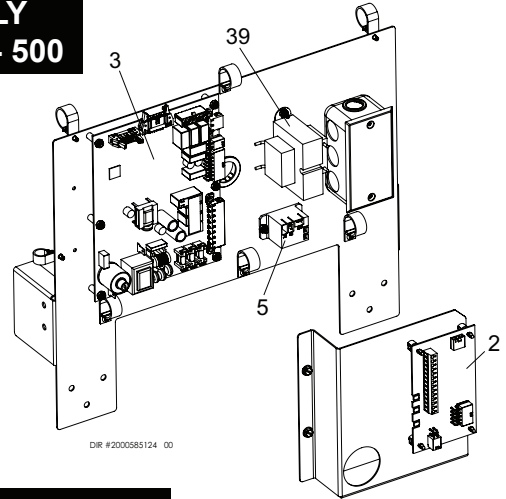
SWR125, 150, 200, 285, 400,
SWA150, 200, 285, 400, 500



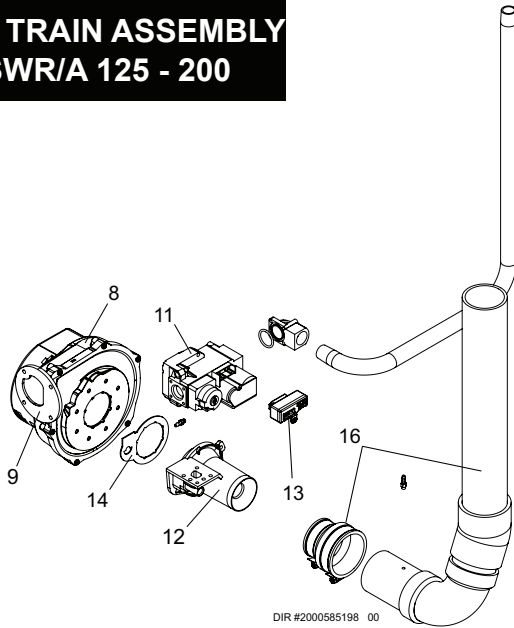
**CONTROL PANEL
ASSEMBLY
SWR/A 125 - 200**



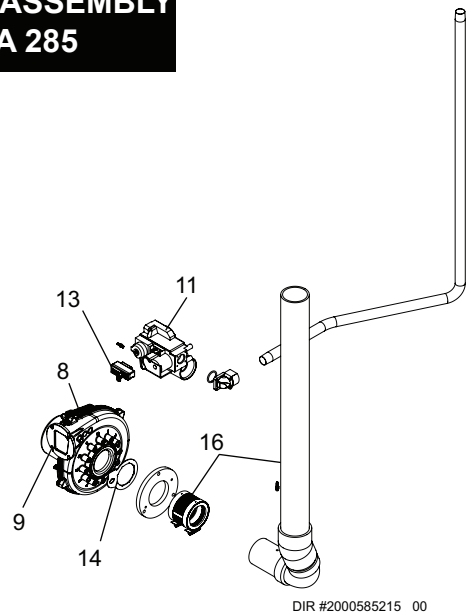
**CONTROL PANEL
ASSEMBLY
SWR/A 285 - 500**



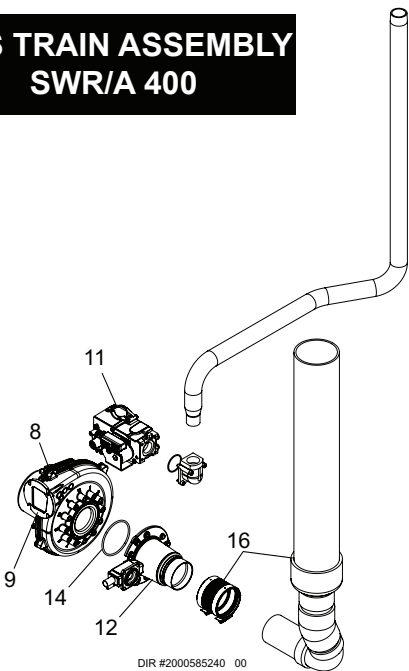
**GAS TRAIN ASSEMBLY
SWR/A 125 - 200**



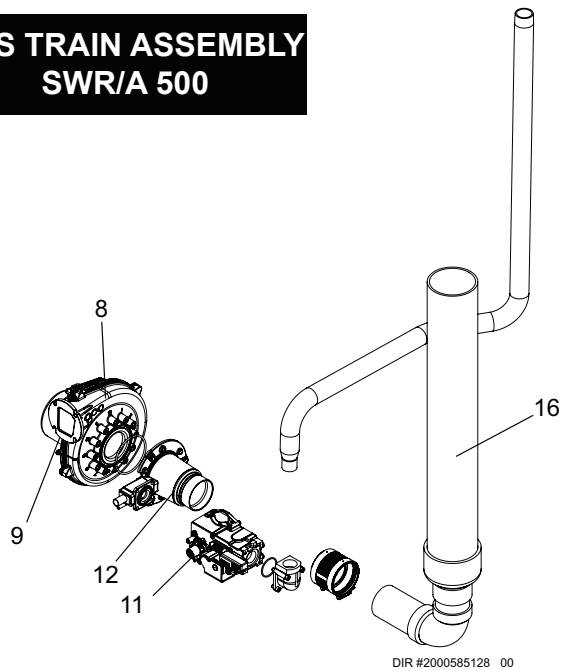
**GAS TRAIN ASSEMBLY
SWR/A 285**



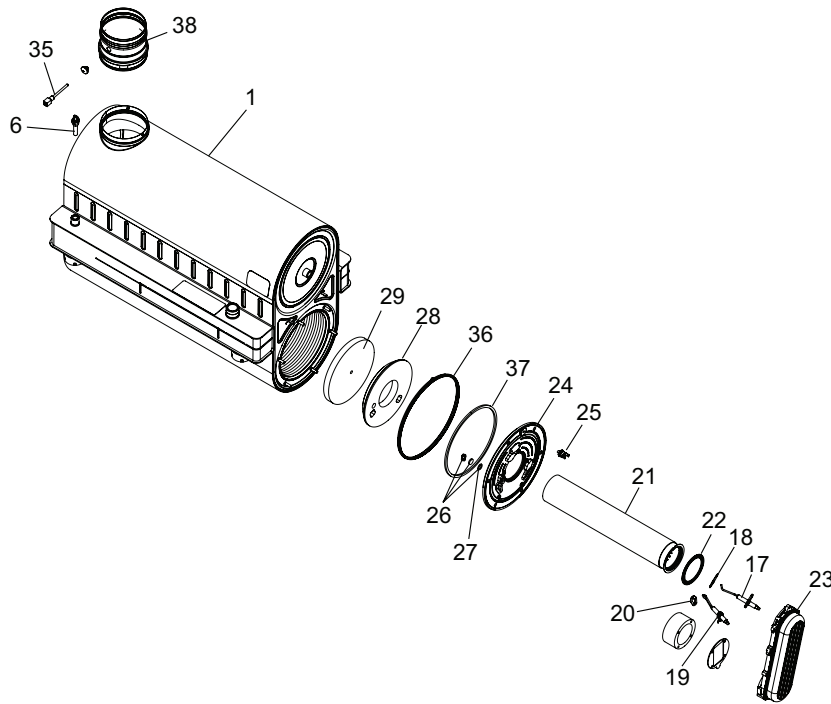
**GAS TRAIN ASSEMBLY
SWR/A 400**



**GAS TRAIN ASSEMBLY
SWR/A 500**



HEAT EXCHANGER ASSEMBLY



DIR #2000585174 00

ITEM NO.	PART NO.	DESCRIPTION	MODEL
HEAT EXCHANGERS			
1	100327441	HEAT EXCHANGER ASSEMBLY	SWR125 & SWR/A150
1	100327443	HEAT EXCHANGER ASSEMBLY	SWR/A200
1	100327444	HEAT EXCHANGER ASSEMBLY	SWR/A285
1	100327445	HEAT EXCHANGER ASSEMBLY	SWR/A400
1	100327446	HEAT EXCHANGER ASSEMBLY	SWA500
CONTROLS			
2	100327447*	CONNECTION BOARD	ALL
3	100327448*	INTEGRATED CONTROL	SWR125
3	100327450*	INTEGRATED CONTROL	SWR/A150
3	100327461*	INTEGRATED CONTROL	SWR/A200
3	100327462*	INTEGRATED CONTROL	SWR/A285
3	100327463*	INTEGRATED CONTROL	SWR/A400
3	100327464*	INTEGRATED CONTROL	SWA500
3	100359449	INTEGRATED CONTROL - HIGH ALTITUDE	SWR125
3	100359450	INTEGRATED CONTROL - HIGH ALTITUDE	SWR/A150
3	100359472	INTEGRATED CONTROL - HIGH ALTITUDE	SWR/A200
3	100359470	INTEGRATED CONTROL - HIGH ALTITUDE	SWR/A285
3	100359483	INTEGRATED CONTROL - HIGH ALTITUDE	SWR/A400
3	100359485	INTEGRATED CONTROL - HIGH ALTITUDE	SWA500
4	100327465	USER INTERFACE CONTROL	ALL
5	100208509*	RELAY, 120VAC, 60HZ, 10.8 AMP	ALL
6	100208565*	WATER TEMP SENSOR, INLET	ALL
7	100208566*	OUTLET SENSOR/ HIGH LIMIT	SWR125, SWR/A150 & 200
7	100327467*	OUTLET SENSOR/ HIGH LIMIT	SWR/A285 & 400, SWA500
8	100145003	FAN ASSEMBLY	SWR125, SWR/A150
8	100145005	FAN ASSEMBLY	SWR/A200
8	100327468	FAN ASSEMBLY	SWR/A285-400
8	100327469	FAN ASSEMBLY	SWA500
9	100208101*	GASKET, FAN / AIR ARM	SWR125, SWR/A150-500
10	100278107*	PRESSURE SWITCH - 2.5" WATER COLUMN	SWR125
10	100208377*	PRESSURE SWITCH - 3.0" WATER COLUMN	SWR/A150 & 285
10	100208378*	PRESSURE SWITCH - 4.1" WATER COLUMN	SWR/A200 & 400
10	100208383*	PRESSURE SWITCH - 5.3" WATER COLUMN	SWA500
GAS VALVES			
11	100327471	GAS VALVE ASSEMBLY	SWR/A125-150 (N,L)

PLEASE HAVE SERIAL NUMBER WHEN ORDERING PARTS
*ITEMS DENOTE SUGGESTED INVENTORY PARTS

ITEM NO.	PART NO.	DESCRIPTION	MODEL
GAS VALVES (CONTINUED)			
11	100327472	GAS VALVE ASSEMBLY	SWR/A200 (N,L)
11	100171988	GAS VALVE / VENTURI ASSEMBLY	SWR/A285 (N,L)
11	100327474	GAS VALVE ASSEMBLY	SWR/A400 (N,L)
11	100327475	GAS VALVE ASSEMBLY	SWA500 (N,L)
12	100327477	VENTURI ASSEMBLY	SWR125, SWR/A150-200 (N,L)
12	100327478	VENTURI ASSEMBLY	SWR/A400-500 (N,L)
13	100208324	GAS VALVE ON/OFF SWITCH	ALL
14	100208760	GASKET, GAS VALVE / VENTURI	ALL
14	100208761*	GASKET, VENTURI O-RING	SWR/A285 & 400, SWA500
15	100300201	GAS CUT OFF VALVE 1 X 1	SWR/A400 & SWA500
16	100327479	AIR INLET KIT	SWR125 & SWA150
16	100327480	AIR INLET KIT	SWR/A200
16	100327481	AIR INLET KIT	SWR/A285
16	100327482	AIR INLET KIT	SWA400
16	100327483	AIR INLET KIT	SWA500
PILOT & BURNER ASSEMBLIES			
17	100165930*	FLAME SENSOR W/ GASKET & SCREWS	ALL
18	100208091*	GASKET, FLAME SENSOR	ALL
19	100165929*	IGNITOR W/ GASKET	ALL
20	100208086*	GASKET, IGNITOR	ALL
21	100135278	BURNER ASSEMBLY W/ GASKET	SWR125 & SWR/A150
21	100135309	BURNER ASSEMBLY W/ GASKET	SWR/A200
21	100135310	BURNER ASSEMBLY W/ GASKET	SWR/A285
21	100135311	BURNER ASSEMBLY W/ GASKET	SWR/A400 & SWA 500
22	100208085	GASKET, BURNER	ALL
23	100173791	GAS AIR ARM ASSEMBLY W/ GASKET	SWR125, SWR/A150
23	100173792	GAS AIR ARM ASSEMBLY W/ GASKET	SWR/A200-400, SWA500
24	100173749	HEAT EXCHANGER ACCESS DOOR KIT	ALL
25	100292715	HEX DOOR TEMP SWITCH	SWR/A285 & 400, SWA500
MISCELLANEOUS			
26	100163249	SIGHT GLASS W/ GASKET	ALL
27	100208762	SIGHT GLASS GASKET	ALL
28	100289429	INSULATION, BURNER PLATE DOOR	ALL
29	100208061	INSULATION BAFFLE, DIVIDER PLATE	ALL
30	100277817	DISPLAY BEZEL, LOWER	ALL
31	100189211	DISPLAY BEZEL, UPPER	SWR125, SWR/A150 & 200
31	100189212	DISPLAY BEZEL, UPPER	SWR/A285 & 400, SWA500
32	100277759	T&P RELIEF VALVE, 3/4", 150 PSI	SWR125, SWR/A150 & 200
32	100288438	T&P RELIEF VALVE, 3/4", 150 PSI	SWR/A285 & 400, SWA500
33	100208315	CONDENSATE TRAP	SWR/A285 & 400, SWA500
33	100163241	CONDENSATE TRAP	SWR125, SWR/A150 & 200
34	100208243*	BLOCKED DRAIN SWITCH	ALL
35	100208556*	FLUE TEMP SENSOR KIT	SWR125, SWR/A150 & 200
35	100170642*	FLUE TEMP SENSOR KIT	SWR/A285 & 400, SWA500
36	100208088	GASKET, DOOR RUBBER	ALL
37	100208107	GASKET, DOOR ROPE	ALL
38	100277782	FLUE COLLAR	SWR125, SWR/A150 & 200
38	100189054	KIT, FLUE COLLAR 4"	SWR/A285 & 400, SWA500
-	100208654	ANODE ROD, MAGNESIUM	ALL
39	100208230	TRANSFORMER, 24V, 40VA	ALL
40	100208552*	SENSOR, SYSTEM / INLET	ALL

PLEASE HAVE SERIAL NUMBER WHEN ORDERING PARTS
*ITEMS DENOTE SUGGESTED INVENTORY PARTS

ITEM NO.	PART NO.	DESCRIPTION	MODEL
MISCELLANEOUS (CONTINUED)			
-	100233695*	HIGH LIMIT THERMOSTAT BULB WELL, 3/8 NPT	ALL
-	100289672	SEAL, KNOCK OUT	ALL SWR
41	100208330	SEAL, KNOCK OUT 2 1/2"	ALL
42	100277746	T&P RELIEF VALVE, 3/4, 150 PSI	SWA150 & 200
42	100208453	T&P RELIEF VALVE, 1", 150 PSI	SWA285-500
43	100327589	VALVE DRAIN, 3/4", BRASS	ALL
-	100328116*	GASKET, HEX O-RING	SWR125, SWR/A150 & 200
-	100328117*	GASKET, HEX O-RING	SWR/A285 & 400, SWA500
-	100208807*	FUSE, 1.25 AMP	ALL
-	100208231*	FUSE, 3.15 AMP	ALL
-	100208232*	FUSE, 5 AMP	ALL
-	100354665*	LOW WATER CUT-OFF W/ MANUAL RESET	ALL
-	100148402	LIMIT, HEAT EXCHANGER OVER TEMP	SWR/A285 & 400, SWA500
-	100327488	HARNESS, UNIT	SWR125, SWR/A150 & 200
-	100327491	HARNESS, UNIT	SWR/A285 & 400, SWA500
-	100327487	HARNESS, POWER	SWR125, SWR/A150 & 200
-	100327490	HARNESS, POWER	SWR/A285 & 400, SWA500
-	100327492	HARNESS, PUMP	ALL
-	100288484	CORD, POWER	ALL
-	100288511	HARNESS, CONNECTION BOARD	SWR125, SWR/A150 & 200
-	100284234	HARNESS, ELECTRODE SPARK	ALL
-	100278061	HARNESS, ELECTRODE, FLAME SENSOR	ALL
-	100208636	CABLE, RIBBON	SWR125, SWR/A150 & 200
-	100208638	CABLE, RIBBON	SWR/A285 & 400, SWA500
-	100159009	LP CONVERSION KIT	SWR125, SWR/A150 & 200
-	100159010	LP CONVERSION KIT	SWR/A285
-	100328668	LP CONVERSION KIT	SWR/A400
-	100328705	LP CONVERSION KIT	SWA500
PUMPS			
44	100327484	PUMP ASSEMBLY, 3-SPEED, WET ROTOR, SS	SWR125, SWR/A150 & 200
44	100327485	PUMP ASSEMBLY, END SUCTION, SS	SWR/A285 & 400
44	100327486	PUMP ASSEMBLY, END SUCTION, SS	SWA500
JACKET ASSEMBLY			
45	100327493	JACKET, OUTER, TOP, FRONT	SWR125, SWR/A150 & 200
45	100327497	JACKET, OUTER, TOP, FRONT	SWR/A200 - 400, SWA500
46	100327496	JACKET, OUTER, UPPER, REAR	SWR125, SWR/A150 & 200
46	100327499	JACKET, OUTER, UPPER, REAR	SWR/A200 - 400, SWA500
47	100327495	JACKET, OUTER, TOP, RIGHT	SWR125, SWR/A150 & 200
47	100327500	JACKET, OUTER, TOP, RIGHT	SWR/A285 & 400, SWA500
48	100327494	JACKET, OUTER, UPPER, SIDE, LEFT, W/ COVER	SWR125, SWR/A150 & 200
48	100327498	JACKET, OUTER, UPPER, SIDE, LEFT, W/ COVER	SWR/A200 - 400, SWA500
PLEASE HAVE SERIAL NUMBER WHEN ORDERING PARTS *ITEMS DENOTE SUGGESTED INVENTORY PARTS			

NOTES

NOTES

