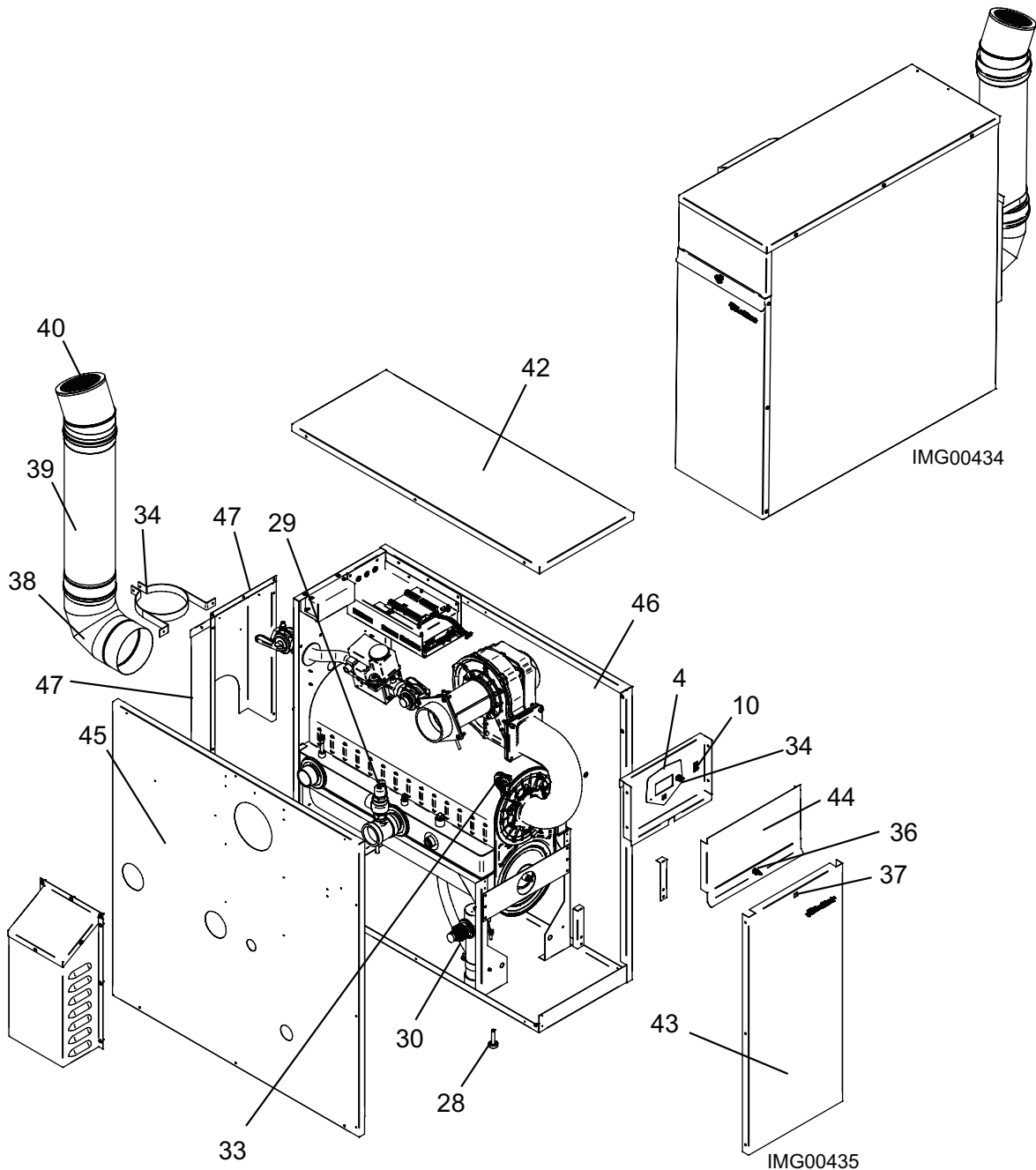




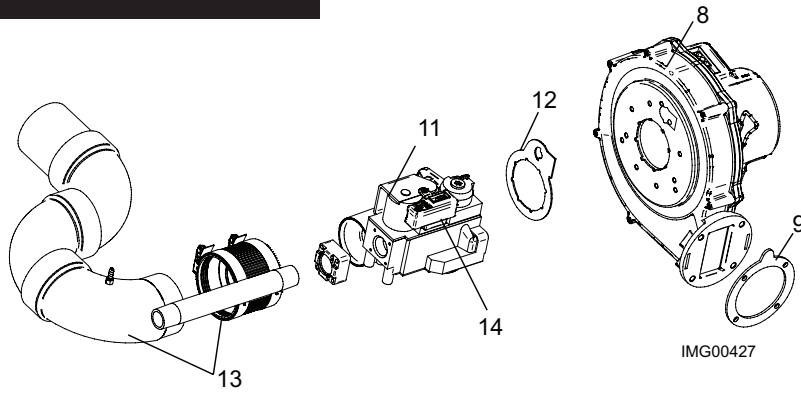
Replacement Parts List

PARTS & SERVICE DEPARTMENT
Nashville, Tennessee
877-554-5544 • Fax: 615-882-2918
parts_team@lochinvar.com
www.Lochinvar.com

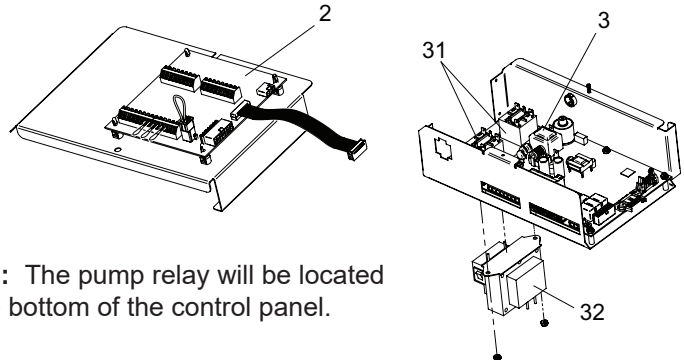
Outdoor Armor Condensing Water Heater OA 151 thru 286



GAS TRAIN

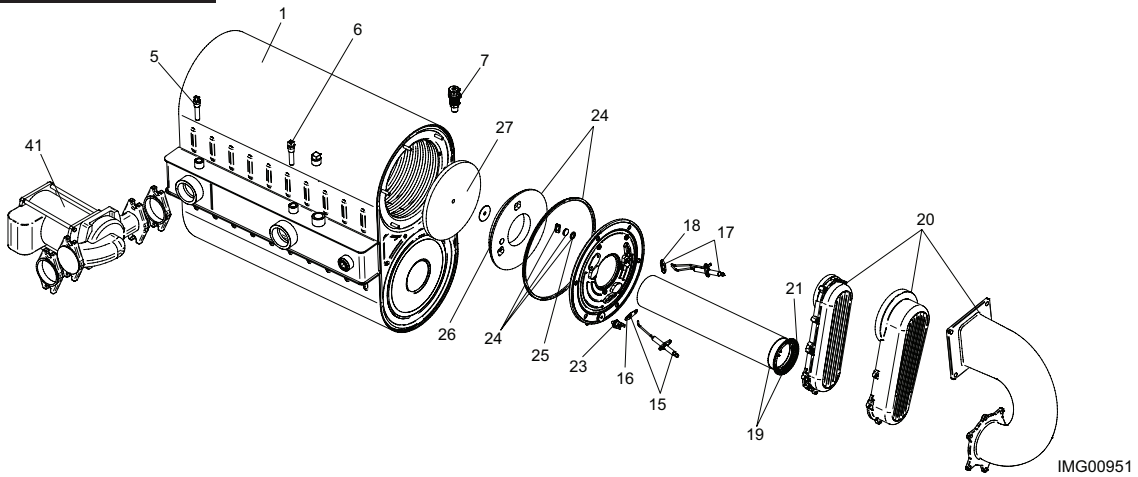


CONTROL PANEL



NOTE: The pump relay will be located on the bottom of the control panel.

HEAT EXCHANGER



ITEM NO.	PART NO.	DESCRIPTION	MODEL
HEAT EXCHANGER ASSEMBLY			
1	100147750	HEAT EXCHANGER	OA 151
1	100147751	HEAT EXCHANGER	OA 200
1	100352797	HEAT EXCHANGER	OA 201
1	100147752	HEAT EXCHANGER	OA 286
CONTROLS			
2	100208473*	CONNECTION BOARD	ALL
3	100167803*	INTEGRATED CONTROL	ALL
4	100208458*	USER INTERFACE CONTROL	ALL
-	100289526	USER INTERFACE OVERLAY	ALL
5	100208549*	SENSOR, INLET	ALL

PLEASE HAVE SERIAL NUMBER AVAILABLE WHEN ORDERING PARTS
*ITEMS DENOTE SUGGESTED INVENTORY PARTS

ITEM NO.	PART NO.	DESCRIPTION	MODEL
CONTROLS (CONTINUED)			
5	100208563	SENSOR, INLET, SS (OPTIONAL)	ALL
6	100208544*	SENSOR, OUTLET / HIGH LIMIT	ALL
6	100208558	SENSOR, OUTLET / HIGH LIMIT, SS (OPTIONAL)	ALL
7	100167445	AIR VENT VALVE	ALL
8	100145004	FAN ASSEMBLY	OA 151
8	100145005	FAN ASSEMBLY	OA 200/201
8	100145006	FAN ASSEMBLY	OA 286
9	100208764*	GASKET, BLOWER	OA 200/201
9	100208101*	GASKET, BLOWER	OA 151 & 286
10	100208242*	SWITCH, ON/OFF	ALL
GAS VALVES			
11	100172003	GAS VALVE ASSEMBLY NAT	OA 151
11	100172004	GAS VALVE ASSEMBLY NAT	OA 200/201
11	100172005	GAS VALVE ASSEMBLY NAT	OA 286
12	100208760	GASKET, GAS VALVE	ALL
13	100163228	AIR INLET KIT	OA 151
13	100163229	AIR INLET KIT	OA 200/201
13	100163230	AIR INLET KIT	OA 286
14	100208324*	SWITCH, GAS VALVE	ALL
PILOT & BURNER ASSEMBLIES			
15	100165930*	FLAME SENSOR W/ GASKET	ALL
16	100208091*	GASKET, FLAME SENSOR	ALL
17	100165929*	IGNITOR W/ GASKET	ALL
18	100208086*	GASKET, IGNITOR	ALL
19	100135308	BURNER W/ GASKET	OA 151
19	100135309	BURNER W/ GASKET	OA 200/201
19	100135310	BURNER W/ GASKET	OA 286
20	100173796	GAS/AIR ARM ASSEMBLY W/ GASKET	OA 151
20	100173792	GAS/AIR ARM ASSEMBLY W/ GASKET	OA 200 - 286
21	100208085*	GASKET, BURNER	ALL
22	100173794	HEAT EXCHANGER ACCESS DOOR KIT	ALL
23	100292715	SWITCH, HEX DOOR TEMP (BEGINNING SERIAL # F14)	OA 286
MISCELLANEOUS			
24	100163249	SIGHT GLASS	ALL
25	100208762	GASKET, SIGHT GLASS	ALL
26	100208060	INSULATION, BURNER PLATE DOOR	ALL
27	100208061	INSULATION BAFFLE, DIVIDER PLATE	ALL
28	100321509	LEVELING LEG	ALL
29	100208453	T & P RELIEF - 1" X 150#	ALL
29	100208443	T & P RELIEF - 3/4" X 150#	OA 286
30	100163241	CONDENSATE TRAP	OA 151 - 201
30	100163244	CONDENSATE TRAP	OA 286
31	100208509	RELAY, 1.5 HP PUMP	ALL
PLEASE HAVE SERIAL NUMBER AVAILABLE WHEN ORDERING PARTS *ITEMS DENOTE MISUGGESTED INVENTORY PARTS			

ITEM NO.	PART NO.	DESCRIPTION	MODEL
MISCELLANEOUS (CONTINUED)			
32	100208230	TRANSFORMER	ALL
33	100208377	SWITCH, PRESSURE	OA 151 & 286
33	100208378	SWITCH, PRESSURE	OA 200 & 201
34	100277824	FLUTED KNOB W/ SKIRT	ALL
35	100289565	FLUE STRAP - 3"	OA 151, 200, 201
35	100289568	FLUE STRAP - 4"	OA 286
36	100289570	DOOR LATCH	ALL
-	100289644	LATCH RETAINER	ALL
37	100289643	DOOR LATCH RECEPTACLE	ALL
38	100288432	ELBOW - 3" 90 DEG	OA 151, 200, 201
38	100288433	ELBOW - 4" 90 DEG	OA 286
39	100288435	PIPE - 3"	OA 151, 200, 201
39	100288434	PIPE - 4"	OA 286
40	100289551	BIRD SCREEN, FLUE PIPE	OA 151, 200, 201
40	100289554	BIRD SCREEN, FLUE PIPE	OA 286
-	100233684	GASKET STRIP, AIR INLET & FLUE	ALL
-	100208808*	FUSE, 0.8 AMP	ALL
-	100208231*	FUSE, 3.15 AMP	ALL
-	100208232*	FUSE, 5 AMP	ALL
-	100208660*	FLOW SWITCH	OA 151 - 201
-	100208661*	FLOW SWITCH	OA 286
-	100208243*	SWITCH, BLOCKED DRAIN	ALL
-	100173773	MRLWCO KIT W/ TEST	ALL
-	100170642*	FLUE TEMP SENSOR KIT	ALL
-	100157660	ALARM BELL	ALL
-	100170644*	SENSOR KIT, TANK	ALL
-	100159008	LP CONVERSION KIT	OA 151
-	100159009	LP CONVERSION KIT	OA 200/201
-	100159010	LP CONVERSION KIT	OA 286
-	100148402	LIMIT, HEAT EXCHANGER OVER TEMP	ALL
-	100208090	GASKET, ESCUTCHEON, 1" CONDENSATE TRAP	ALL
-	100208097	GASKET, ESCUTCHEON, 3/4" GAS CONNECTION	OA 286
-	100289443	GASKET, ESCUTCHEON, 1/2" GAS CONNECTION	OA 151, 200, 201
-	100290347	GASKET, ESCUTCHEON, 1 1/4" WATER CONNECTION	OA 151, 200, 201
-	100278141	GASKET, ESCUTCHEON, 2" WATER CONNECTION	OA 286
-	100289474	GASKET, ESCUTCHEON, 2" AIR INLET	ALL
-	100208625	HARNESS, CONNECTION BOARD	ALL
-	100299107	HARNESS, RELAY	ALL
-	100299109	HARNESS, POWER	ALL
-	100208627	HARNESS, GAS VALVE	ALL
-	100208628	HARNESS, UNIT	OA 151, 200, 201
-	100072936	HARNESS, UNIT	OA 286

PLEASE HAVE SERIAL NUMBER AVAILABLE WHEN ORDERING PARTS
*ITEMS DENOTE SUGGESTED INVENTORY PARTS

ITEM NO.	PART NO.	DESCRIPTION	MODEL
MISCELLANEOUS (CONTINUED)			
-	100288496	HARNESS, WIRE,ON/OFF	ALL
-	100208621	HARNESS, SPARK ELECTRODE	OA 151, 200, 201
-	100208620	HARNESS, SPARK ELECTRODE	OA 286
-	100208622	HARNESS, FLAME SENSE ELECTRODE	ALL
-	100208638	CABLE, RIBBON	ALL
PUMPS			
41	100166430	PUMP, PRIOR TO DECEMBER 2014	OA 151 - 201
41	100208409	PUMP, STANDARD, BEGINNING DECEMBER 2014	OA 151 - 201
41	100287807	PUMP, STANDARD, BEGINNING OCTOBER 2017	OA 151 - 201
41	100287809	PUMP, UPSIZED, BEGINNING JULY 2017	OA 151 - 201
41	100166428	PUMP, STANDARD	OA 286
41	100166409	PUMP, UPSIZED, BEGINNING JULY 2017	OA 286
41	100166420	PUMP WITH COVER	OA 151 - 201
41	100166421	PUMP WITH COVER	OA 286
JACKET ASSEMBLY			
42	100149725	JACKET, TOP	OA 151
42	100149726	JACKET, TOP	OA 200/201
42	100149727	JACKET, TOP	OA 286
43	100149722	JACKET, FRONT, LOWER	OA 151, 200, 201
43	100149723	JACKET, FRONT, LOWER	OA 286
44	100149733	JACKET, FRONT, UPPER	ALL
45	100149737	JACKET, LEFT SIDE	OA 151
45	100149738	JACKET, LEFT SIDE	OA 200/201
45	100149739	JACKET, LEFT SIDE	OA 286
46	100150572	JACKET, RIGHT SIDE	OA 151
46	100150643	JACKET, RIGHT SIDE	OA 200/201
46	100150700	JACKET, RIGHT SIDE	OA 286
47	100149749	COVER, FLUE BOX	OA 151, 200, 201
47	100149750	COVER, FLUE BOX	OA 286
48	100149734	COVER, FLUE BOX TOP	ALL
-	100149764	COVER, PUMP TOP AND BOTTOM	OA 151, 200, 201
-	100149762	COVER, PUMP TOP AND BOTTOM	OA 286

PLEASE HAVE SERIAL NUMBER AVAILABLE WHEN ORDERING PARTS
*ITEMS DENOTE SUGGESTED INVENTORY PARTS