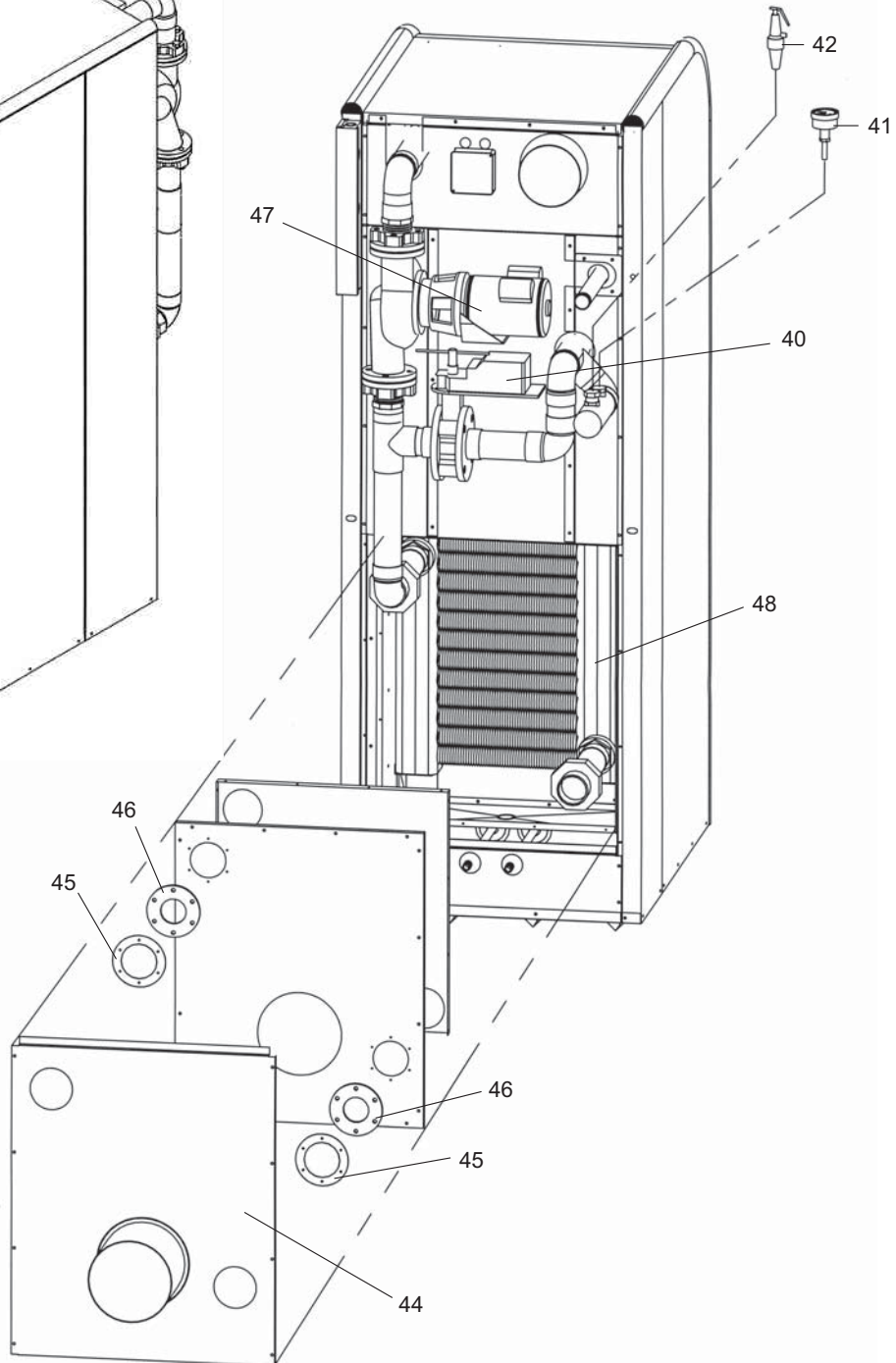
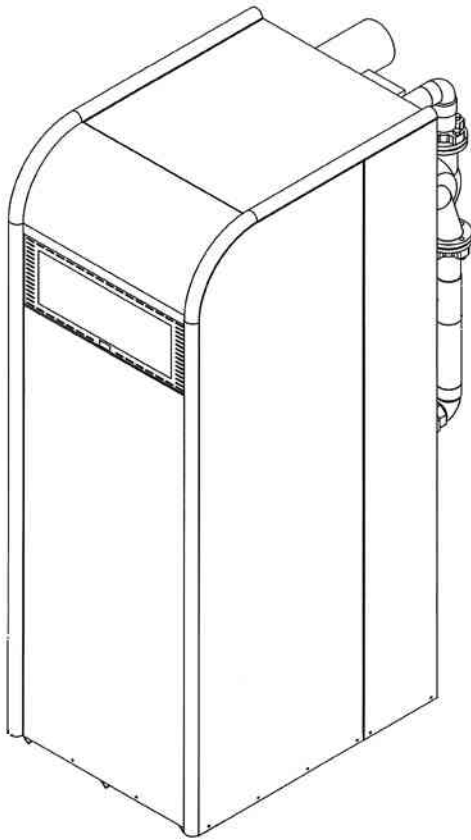




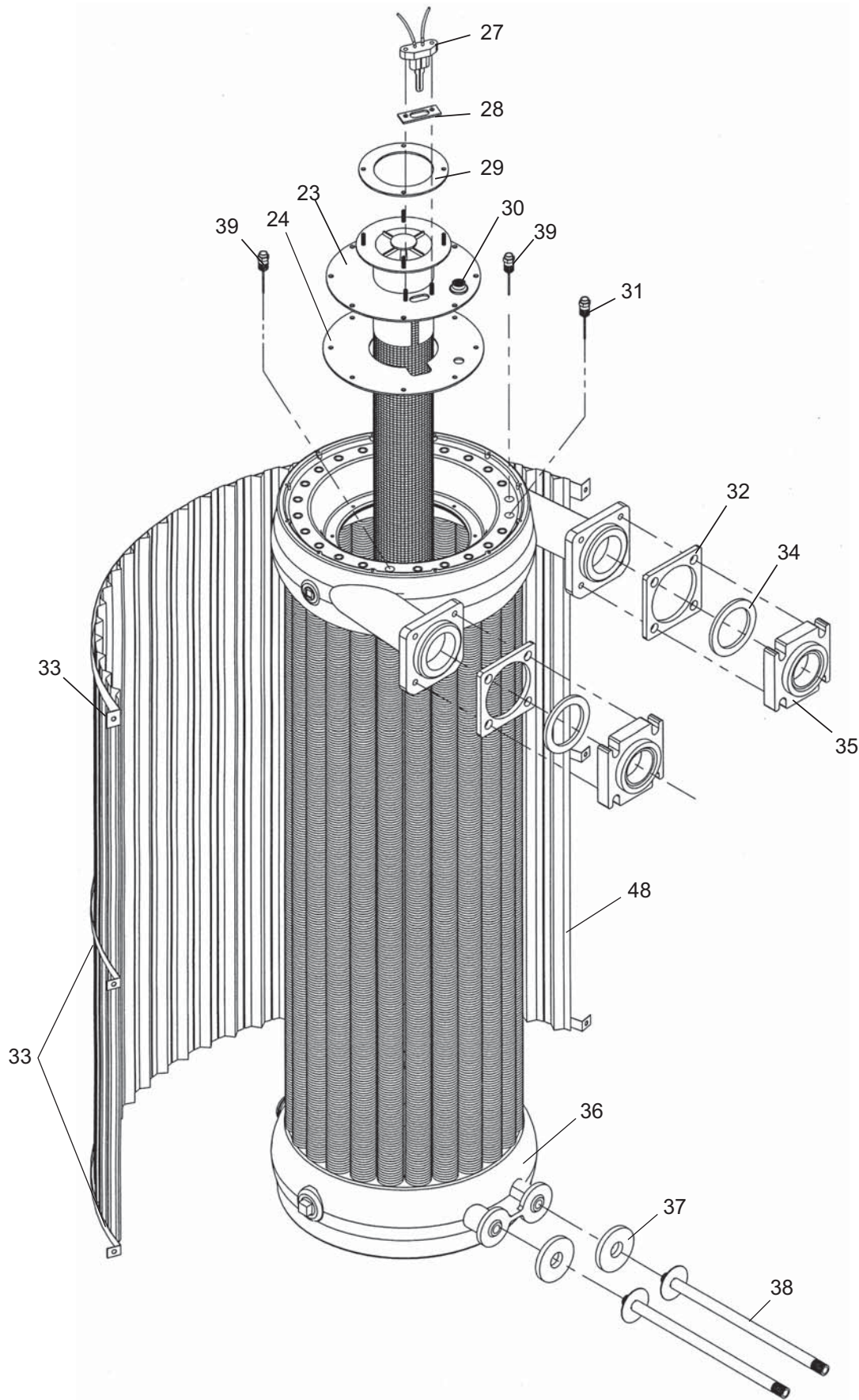
**PARTS & SERVICE DEPARTMENT**  
Nashville, Tennessee  
615-889-8900 • Fax: 615-882-2918  
parts\_team@lochinvar.com  
www.Lochinvar.com

**Replacement Parts List**

**Intelli-Fin®  
Boilers/Water Heaters  
IB/IW 1500, 1700, 2000**

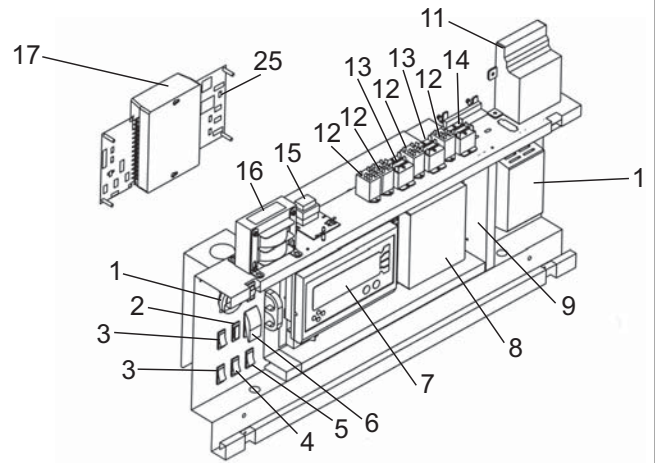
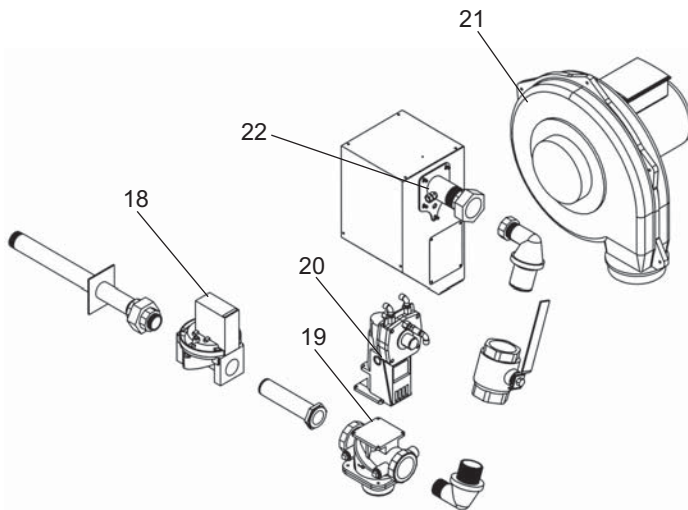


# HEAT EXCHANGER ASSEMBLY



## GAS TRAIN ASSEMBLY

## CONTROL PANEL



ITEM NO.	PART NO.	DESCRIPTION	MODEL NO.
<b>CONTROLS</b>			
1	<a href="#">HLC2702</a>	High Limit, Manual Reset	ALL
2	LHT2001	Light, 24 VAC Indicator, Amber	ALL
3	SWT2001	Switch, On/Off	ALL
4	SWT2002	Switch, Momentary Off (Red)	ALL
5	SWT2003	Switch, Momentary Off (Black)	ALL
6	SWT2000	Switch, On/Off Power	ALL
7	RLY3717	Command Display	ALL
8	<a href="#">RLY2402</a>	Module, Ignition	ALL
9	SWT2004	Switch, Round Pushbutton	ALL
10	RLY3020	Variable Frequency Drive	ALL
11	RLY2718	Module, Pulse to Analog	ALL
12	RLY2902	Relay, 24 Volt Control	ALL
13	RLY2708	Relay, Ignition Enable	ALL
14	RLY2706	Relay, Pump	ALL
15	WTR2530	Low Water Cut-Off, Manual Reset (Optional) (Prior to Serial H08H00211245)	ALL
15	WTR30000	Low Water Cut-Off, Manual Reset (Optional) (Beginning Serial H08H00211245)	ALL
15	<a href="#">WTR2528</a>	Low Water Cut-Off, Auto Reset (Optional) (Prior to Serial H08H00211245)	ALL
15	WTR30001	Low Water Cut-Off, Auto Reset (Optional) (Beginning Serial H08H00211245)	ALL
-	<a href="#">WTR2222</a>	Low Water Cut-Off Probe (Optional)	ALL
-	WTR20000	Low Water Cut-Off Boot (Optional)	ALL
16	TRF2010	Transformer 120 volt	ALL
17	RLY3027	Interface Board/XL-10 Programmed	ALL
-	MSC2549	Terminator Module	ALL
<b>GAS TRAIN ASSEMBLIES</b>			
18	VAL2044	Valve, Main Gas	ALL
19	VAL2710	Valve, 1-1/2" Body Auto Proportioning	1500
19	VAL2711	Valve, 2" Body Auto Proportioning	1700-2000
20	VAL3004	Actuator Kit	ALL
21	FAN3006	Fan Kit	1500
21	FAN3007	Fan Kit	1700
21	FAN3008	Fan Kit	2000
22	GKT2000	Gasket, Orifice Holder	ALL
23	BNR3419	Burner Assembly	1500
23	BNR3420	Burner Assembly	1700
23	BNR3421	Burner Assembly	2000
24	<a href="#">GKT2102</a>	Burner Gasket	ALL
25	RLY2043	XL - 10 Interface Board - Wings	ALL
27	<a href="#">PLT3400</a>	Ignitor, Hot Surface	ALL
28	GKT2012	Gasket, Ignitor	ALL
29	GKT2103	Gasket, Blower	ALL

**PLEASE HAVE MODEL AND SERIAL NUMBER WHEN ORDERING PARTS**

ITEM NO.	PART NO.	DESCRIPTION	MODEL NO.
<b>GAS TRAIN ASSEMBLIES (CONTINUED)</b>			
30	MSC2731	Sight Glass	ALL
-	TST2409	Inlet/Outlet Bypass Sensor	ALL
-	WRE2143	Inlet Sensor Harness w/ Plug	ALL
-	WRE2135	Bypass/Outlet Assembly	ALL
<b>HEAT EXCHANGERS</b>			
36	HEX3060	Heat Exchanger (HLW)	IW1500
36	HEX3061	Heat Exchanger (HLW)	IW1700
36	HEX3062	Heat Exchanger (HLW)	IW2000
36	HEX3068	Heat Exchanger (H)	IB1500
36	HEX3069	Heat Exchanger (H)	IB1700
36	HEX3070	Heat Exchanger (H)	IB2000
48	HEX3067	Heat Exchanger, Secondary	ALL
31	TST2300	Bulbwell Thermostat, 3/8" (High Limit)	ALL
32	GKT2006	Gasket, Flange	ALL
33	JKH6431	Retainer V-Baffle (3x Req.)	ALL
34	GKT2006	Gasket, Top Header Flange	ALL
35	WTR4708	Flange, Cast	ALL
37	GKT2006	Gasket, Flange for Drain Valve	ALL
38	DRV3800	Drain Pipe Assembly	ALL
39	TST2306	Bulbwell Thermostat, 3/8"	ALL
48	JKH2012	V-Baffle (24x Req.)	1500
48	JKH2013	V-Baffle (24x Req.)	1700
48	JKH2014	V-Baffle (24x Req.)	2000
<b>MISCELLANEOUS</b>			
40	VAL2058	Valve, Actuator (Prior to Serial J04)	ALL
40	VAL2158	Valve, Actuator (Beginning Serial J04)	ALL
41	GTP2900	Gauge, Pressure & Temperature	IB
41	GTP3000	Gauge, Temperature	IW
42	RLV2016	Relief Valve, Temperature & Pressure, 1", 150 PSI	IW
42	RLV2003	Relief Valve, Pressure 1", 50 PSI	IB1500 & 1700
42	RLV2001	Relief Valve, Pressure 3/4", 50 PSI (2 Req'd.)	IB2000
44	JKH6863	Jacket, Back Secondary HEX Access	ALL
45	JKH6818	Flange, Pipe	ALL
46	GKT2434	Grommet, Pipe	ALL
47	ARM3072PAB	Pump Assembly	IW
47	ARM3072PBF	Pump Assembly	IB
-	PRS30022	Pressure Switch (Prior to Serial F05)	ALL
-	PRS2007	Pressure Switch (Beginning Serial F05)	ALL
-	JKH6865	Door, Front Upper Outer	ALL
-	MSC2465	Circuit Breaker, 5 AMP	ALL
-	LHT2000	Light, 24 VAC Indicator, Red	ALL
-	SWT2005	Switch, Lever Handle	ALL
-	FIB2104	Insulation Top	ALL
-	FIB2105	Insulation Back	ALL
-	FIB2106	Insulation Front Door	1500
-	FIB2107	Insulation Front Door	1700
-	FIB2108	Insulation Front Door	2000
-	FIB2109	Insulation Front	1500
-	FIB2110	Insulation Front	1700
-	FIB2111	Insulation Front	2000
-	FIB2112	Insulation Side	1500
-	FIB2113	Insulation Side	1700
-	FIB2114	Insulation Side	2000
-	GKT2053	Gasket, Jacket (Order by the Foot)	ALL
-	KIT3000	Neutralizing Kit (Prior to Serial K05)	ALL
-	KIT3046	Neutralizing Kit (Beginning Serial K05)	ALL
-	MSC2976	Condensate Trap (Beginning Serial K05)	ALL
-	MSC2737	Condensate Trap (Prior to Serial K05)	ALL
-	WRE2106	Communication Wire (Purchase by the Foot)	ALL
-	WTR2040	Flow Switch	ALL
<b>PLEASE HAVE MODEL AND SERIAL NUMBER WHEN ORDERING PARTS</b>			