



**Lochinvar**<sup>®</sup>  
HIGH EFFICIENCY BOILERS & WATER HEATERS

**PARTS & SERVICE DEPARTMENT**

Nashville, Tennessee

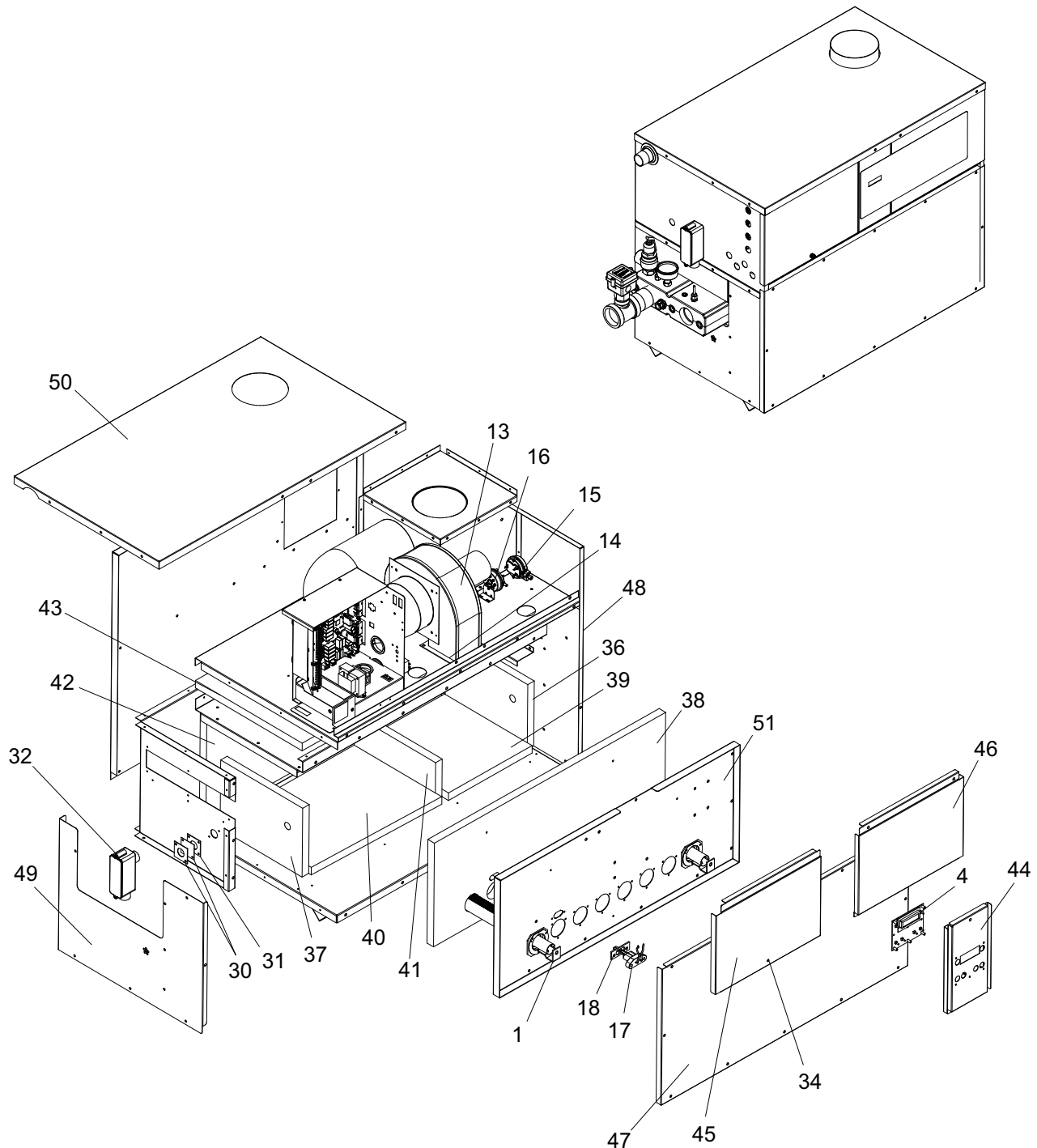
877-554-5544 • Fax: 615-882-2918

parts\_team@lochinvar.com

www.Lochinvar.com

## Replacement Parts List

### Copper-Fin II<sup>®</sup> Boilers — Water Heaters CH — CF 402 -752





ITEM NO.	PART NO.	DESCRIPTION	MODEL NO.
<b>BURNERS</b>			
1		Model 100135270 100135300	
		402 1 ea 7 ea	
100135300 is Main Burner		502 1 ea 9 ea	
100135270 is Main Burner w/ compression fitting.		652 1 ea 12 ea	
		752 1 ea 14 ea	
<b>GAS TRAIN ASSEMBLIES</b>			
2	100208344	ORIFICE, NATURAL	ALL
2	100208345	ORIFICE, LP	ALL
3	100208601	GAS VALVE ASSEMBLY, NATURAL	ALL
3	100208608	GAS VALVE ASSEMBLY, LP	ALL
<b>CONTROLS &amp; GAUGES</b>			
4	100208468*	USER INTERFACE CONTROL	ALL
5	100208469*	MAIN CONTROL BOARD	ALL
6	100208475*	CONNECTION BOARD	ALL
7	100288444*	SENSOR BOARD	CH
8	100208490*	RELAY, 120V, 1.2VA	ALL
9	100208509*	RELAY, 120VAC, 60HZ, 10.8 AMP	ALL
10	100208246	TRANSFORMER, 24V, 60VA	ALL
11	100208249	TRANSFORMER, 27.5V, 50VA	402 & 502
11	100208246	TRANSFORMER, 24V, 60VA	652 & 752
12	100208242	ON / OFF SWITCH W/ I-O SYMBOL	ALL
13	100233485	FAN ASSEMBLY	ALL
14	100233678*	GASKET, FAN	ALL
15	100294585*	PRESSURE SWITCH, .68" WATER COLUMN	ALL
16	100208384*	PRESSURE SWITCH, .85" WATER COLUMN	ALL
17	100165937*	IGNITOR, HOT SURFACE	ALL
18	100208087	GASKET, IGNITOR	ALL
<b>HEAT EXCHANGER</b>			
19	100147342	HEAT EXCHANGER, HLW (BEFORE 4-1-2017)	CF 402
19	100147346	HEAT EXCHANGER, HLW (BEFORE 4-1-2017)	CF 502
19	100147348	HEAT EXCHANGER, HLW (BEFORE 4-1-2017)	CF 652
19	100147350	HEAT EXCHANGER, HLW (BEFORE 4-1-2017)	CF 752
19	100147343	HEAT EXCHANGER, H (CF BEGINNING 4-1-2017)	CF 402
19	100147344	HEAT EXCHANGER, H (CF BEGINNING 4-1-2017)	CF 502
19	100147347	HEAT EXCHANGER, H (CF BEGINNING 4-1-2017)	CF 652
19	100147349	HEAT EXCHANGER, H (CF BEGINNING 4-1-2017)	CF 752
19	100147343	HEAT EXCHANGER, H	CH 402
19	100147344	HEAT EXCHANGER, H	CH 502
19	100147347	HEAT EXCHANGER, H	CH 652
19	100147349	HEAT EXCHANGER, H	CH 752
20	100151231	V-BAFFLE (5 REQ.)	402
20	100151232	V-BAFFLE (5 REQ.)	502
20	100290355	V-BAFFLE (5 REQ.)	652
20	100151234	V-BAFFLE (5 REQ.)	752
21	100151524	V-BAFFLE FRAME RUNNER (2 REQ.)	402
21	100151525	V-BAFFLE FRAME RUNNER (2 REQ.)	502
21	100151526	V-BAFFLE FRAME RUNNER (2 REQ.)	652
21	100151527	V-BAFFLE FRAME RUNNER (2 REQ.)	752
22	100163183	V-BAFFLE RETAINER (2 REQ.)	ALL
23	100208106*	GASKET, HEAT SHIELD	ALL
24	100232493*	FLOW SWITCH, OUTDOOR	ALL
24	100208653*	FLOW SWITCH W/ PADDLE, INDOOR	ALL
25	100208152	GAUGE TRIOMETER, 75 PSI	ALL CH
26	100208559*	OUTLET SENSOR, DUAL IMMERSION	ALL
27	100208553*	INLET SENSOR	ALL
28	100208443	T&P RELIEF VALVE, 3/4", 150 PSI	CF 402
28	100208446	T&P RELIEF VALVE, 3/4", 150 PSI	CF 502 - 752
28	100208442	PRESSURE RELIEF VALVE, 3/4", 50 PSI	ALL CH
<b>PUMPS</b>			
29	100133610	PUMP ASSEMBLY FOR WATER HEATER, STANDARD, 1/4 HP, 2" FLG, BRZ	CF
29	100232190	PUMP ASSEMBLY FOR WATER HEATER, UPSIZED, 3/4 HP, SS	CF
29	100133612	PUMP ASSEMBLY FOR BOILER, 1/4 HP, 2" FLG, CAST	CH
<b>MISCELLANEOUS</b>			
30	100163259*	SIGHT GLASS KIT	ALL
31	100233729	GASKET, SIGHT GLASS	ALL
PLEASE HAVE MODEL NUMBER AND SERIAL NUMBER WHEN ORDERING PARTS NOTE: CH = BOILER, CF = WATER HEATER *ITEMS DENOTE SUGGESTED INVENTORY PARTS			

ITEM NO.	PART NO.	DESCRIPTION	MODEL NO.
<b>MISCELLANEOUS (CONTINUED)</b>			
32	100289397	CONDUIT BODY, 1-1/4", PVC	ALL
33	100208097	ESCUTCHEON GASKET, 3/4"	ALL
34	100289391	SCREW, KNURLED HEAD	ALL
35	100288508	GAS SHUT-OFF VALVE, 3/4 NPT, BRS (CF BEGINNING 4-1-2017)	CH 502 - 752
-	100233577*	FILTER - 12" X 12" X 1"	ALL
-	100146604	GASKET STRIP, FIBERGLASS, WHITE	ALL
-	100208231*	FUSE, 3.15A / 250V	ALL
-	100208232*	FUSE, 5A / 250V	ALL
-	100290347	PIPE ESCUTCHEON GASKET, 1-1/4"	ALL
-	100233587*	GASKET, BURNER	ALL
-	100146588	GASKET, PVC - 1/4" X 5/8", BLACK	ALL
-	100289393	PLASTIC BARBED TEE, 3/16"	ALL
-	100208319	CAP, 3/16" TEE FITTING	ALL
-	100208572	TUBING - 3/16" X 5/16", GRAY	ALL
-	100208573	TUBING - 1/8", ALUMINUM	ALL
<b>LOCH-HEAT TILE</b>			
36	100233555	LOCH-HEAT TILE, FRONT HEAD SIDE	ALL
37	100145466	LOCH-HEAT TILE, REAR HEAD SIDE	ALL
38	100145467	LOCH-HEAT TILE, FRONT DOOR	402
38	100145468	LOCH-HEAT TILE, FRONT DOOR	502
38	100145399	LOCH-HEAT TILE, FRONT DOOR	652
38	100145400	LOCH-HEAT TILE, FRONT DOOR	752
39	100145693	LOCH-HEAT TILE, RIGHT BOTTOM	402
39	100145694	LOCH-HEAT TILE, RIGHT BOTTOM	502
39	100145695	LOCH-HEAT TILE, RIGHT BOTTOM	652
39	100233571	LOCH-HEAT TILE, RIGHT BOTTOM	752
-	100145369	LOCH-HEAT TILE, MIDDLE BOTTOM	652
-	100145697	LOCH-HEAT TILE, MIDDLE BOTTOM	752
40	100145692	LOCH-HEAT TILE, LEFT BOTTOM	402
40	100145694	LOCH-HEAT TILE, LEFT BOTTOM	502
40	100145368	LOCH-HEAT TILE, LEFT BOTTOM	652
40	100233571	LOCH-HEAT TILE, LEFT BOTTOM	752
41	100233575	LOCH-HEAT TILE, DIVIDER	ALL
42	100145612	LOCH-HEAT TILE, BACK	402
42	100145613	LOCH-HEAT TILE, BACK	502
42	100145614	LOCH-HEAT TILE, BACK	652
42	100145615	LOCH-HEAT TILE, BACK	752
43	100145674	INSULATION PAD, TOP	402
43	100145675	INSULATION PAD, TOP	502
43	100145676	INSULATION PAD, TOP	652
43	100145677	INSULATION PAD, TOP	752
<b>JACKET ASSEMBLIES</b>			
44	100151255	JACKET, OUTER FRONT UPPER MIDDLE	ALL
45	100151490	JACKET, OUTER FRONT UPPER LEFT	402 & 502
45	100151492	JACKET, OUTER FRONT UPPER LEFT	652 & 752
46	100151256	JACKET, OUTER FRONT UPPER RIGHT	402
46	100151258	JACKET, OUTER FRONT UPPER RIGHT	502
46	100151259	JACKET, OUTER FRONT UPPER RIGHT	652
46	100151260	JACKET, OUTER FRONT UPPER RIGHT	752
47	100151481	JACKET, OUTER FRONT LOWER	402
47	100151482	JACKET, OUTER FRONT LOWER	502
47	100151483	JACKET, OUTER FRONT LOWER	652
47	100151484	JACKET, OUTER FRONT LOWER	752
48	100151474	JACKET, OUTER REAR HEAD	402 & 502
48	100151496	JACKET, OUTER REAR HEAD	652 & 752
49	100151472	JACKET, OUTER LEFT LOWER HEAD	ALL
50	100151476	JACKET, OUTER TOP	402
50	100151477	JACKET, OUTER TOP	502
50	100151478	JACKET, OUTER TOP	652
50	100151479	JACKET, OUTER TOP	752
51	100151261	DOOR, COMBUSTION CHAMBER	402
51	100151262	DOOR, COMBUSTION CHAMBER	502
51	100151263	DOOR, COMBUSTION CHAMBER	652
51	100151264	DOOR, COMBUSTION CHAMBER	752
<b>PLEASE HAVE MODEL NUMBER AND SERIAL NUMBER WHEN ORDERING PARTS</b>			
<b>NOTE: CH = BOILER, CF = WATER HEATER</b>			
<b>*ITEMS DENOTE SUGGESTED INVENTORY PARTS</b>			