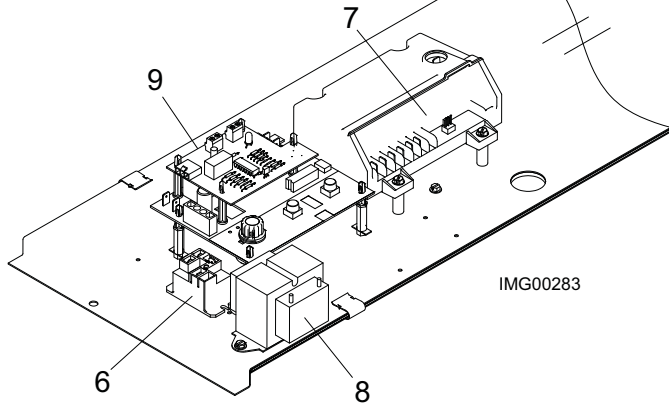
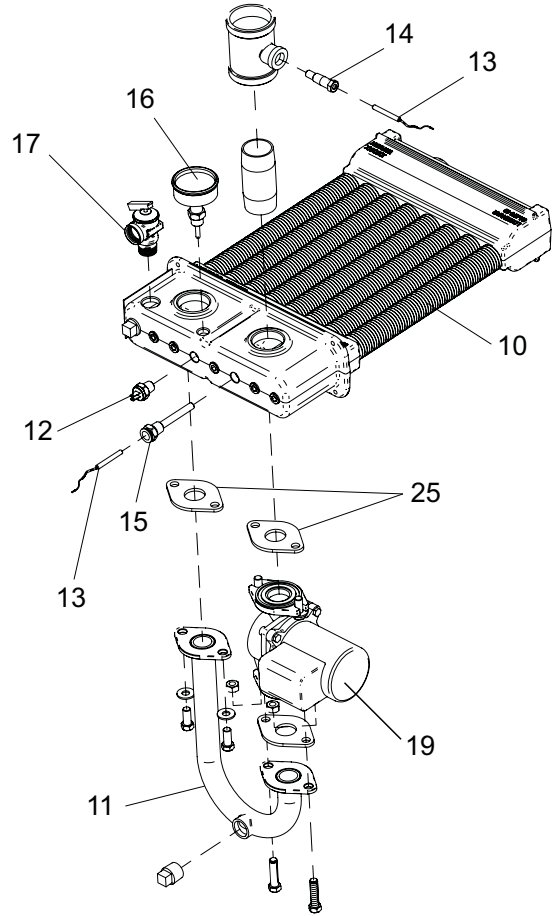




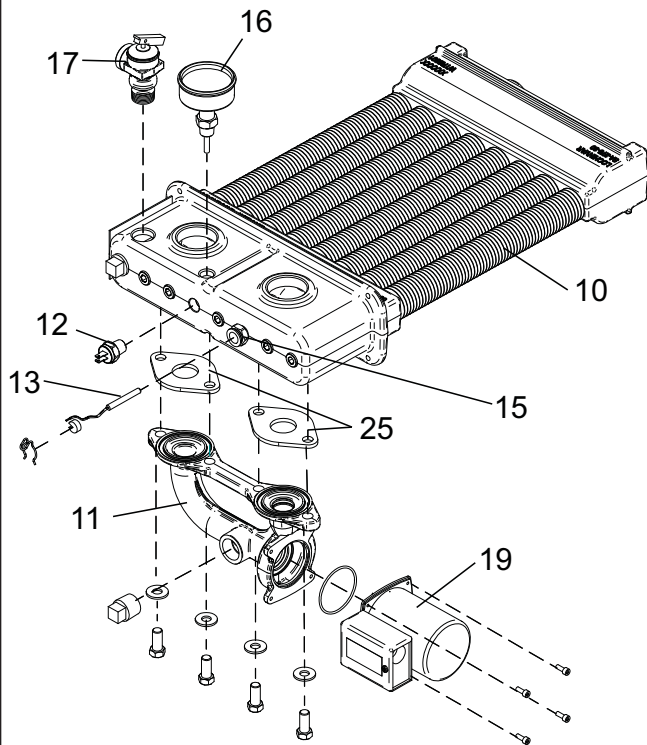
# CONTROL PANEL



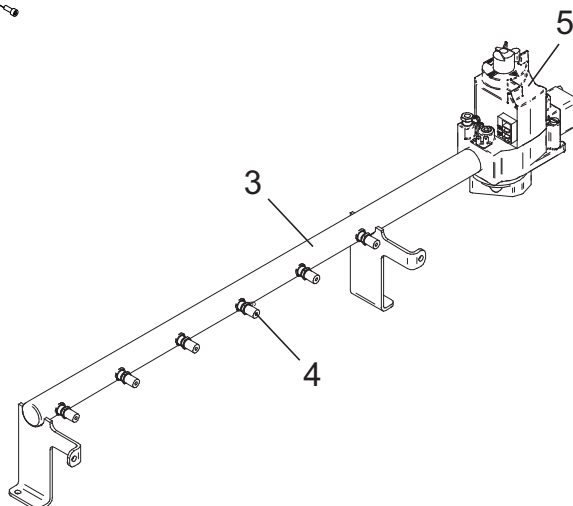
# HEAT EXCHANGER ASSEMBLY PRIOR TO SERIAL #E10H00226216



# HEAT EXCHANGER ASSEMBLY BEGINNING WITH SERIAL #E10H00226216



# GAS TRAIN



| ITEM NO.                             | PART NO.   | DESCRIPTION  | MODEL NO.      |
|--------------------------------------|------------|--|----------------|
| <b>PILOT &amp; BURNER ASSEMBLIES</b> |            |  |                |
| 1                                    | 100233340  | MAIN BURNER  | ALL            |
| 2                                    | 100278133  | PILOT, INTERMITTENT, NAT. M9                                   | CBN045         |
| 2                                    | 100165936  | PILOT, INTERMITTENT, LP. M9                                    | CBL045         |
| 2                                    | 100208365  | PILOT, INTERMITTENT, NAT. M9                                   | CBN075-260     |
| 2                                    | 100208373  | PILOT, INTERMITTENT, LP. M9                                    | CBL075-260     |
| 3                                    | 100290485  | MANIFOLD, BURNER   | CB 045         |
| 3                                    | 100290486  | MANIFOLD, BURNER   | CB 075/090     |
| 3                                    | 100290487  | MANIFOLD, BURNER   | CB 135         |
| 3                                    | 100290488  | MANIFOLD, BURNER   | CB 180         |
| 3                                    | 100290489  | MANIFOLD, BURNER   | CB 215         |
| 3                                    | 100290491  | MANIFOLD, BURNER   | CB 260         |
| 4                                    | 100208350  | ORIFICE, MAIN BNR. NAT.3.2MM                                   | CB 045-180     |
| 4                                    | 100208347  | ORIFICE, MAIN BNR. LP 2.0MM                                    | CB 045-180     |
| 4                                    | 100288412  | ORIFICE, MAIN BNR. NAT. 3.1MM                                  | CB 215-260     |
| 4                                    | 100208341  | ORIFICE, MAIN BNR. LP. 1.9MM                                   | CB 215-260     |
| <b>GAS VALVES</b>                    |            |  |                |
| 5                                    | 100278094  | GAS VALVE, LP, M9  | CB 045-135     |
| 5                                    | 100277952  | GAS VALVE, LP, M9  | CB 180-260     |
| 5                                    | 100208613  | GAS VALVE, NATURAL, M9   | CB 045-135     |
| 5                                    | 100208614  | GAS VALVE, NATURAL, M9   | CB 180-260     |
| <b>CONTROLS</b>                      |            |  |                |
| 6                                    | 100208495* | RELAY, PANEL MOUNT   | ALL            |
| 7                                    | 100208460  | IGNITION MODULE  | ALL            |
| 8                                    | 100208249  | TRANSFORMER, 27.5V, 50VA                                       | ALL            |
| 9                                    | 100208835* | THERMOSTAT, TWO STAGE M9, PRIOR TO SERIAL I12                  | ALL            |
| 9                                    | 100170643* | THERMOSTAT, TWO STAGE M9, BEGINNING SERIAL I12                 | ALL            |
| -                                    | 100278104* | ROLLOUT SWITCH 200 DEG.  | CB 045         |
| -                                    | 100290352* | ROLLOUT SWITCH 220 DEG.  | CB 075         |
| -                                    | 100208181* | ROLLOUT SWITCH 280 DEG   | CB 215-260     |
| -                                    | 100208172* | ROLLOUT SWITCH 250 DEG.  | CB 090-180     |
| -                                    | 100278104* | SPILL SWITCH 200 DEG.  | CB 260         |
| -                                    | 100208172* | SPILL SWITCH 250 DEG.  | CB 090/135/215 |
| -                                    | 100290352* | SPILL SWITCH 220 DEG   | CB 045/075     |
| -                                    | 100208181* | SPILL SWITCH 280 DEG   | CB 180         |
| <b>HEAT EXCHANGERS</b>               |            |  |                |
| 10                                   | 100147669  | HEAT EXCHANGER H   | CB 045         |
| 10                                   | 100147670  | HEAT EXCHANGER H   | CB 075/090     |
| 10                                   | 100147671  | HEAT EXCHANGER H   | CB 135         |
| 10                                   | 100147672  | HEAT EXCHANGER H   | CB 180         |
| 10                                   | 100147673  | HEAT EXCHANGER H   | CB 215         |
| 10                                   | 100147674  | HEAT EXCHANGER H   | CB 260         |
| 11                                   | 100289371  | BYPASS PIPE ASSEMBLY, PRIOR TO SERIAL E10H00226216             | ALL            |
| 11                                   | 100288528  | BYPASS PIPE ASSEMBLY, BEGINNING SERIAL E10H00226216            | ALL            |
| 12                                   | 100208182* | HIGH LIMIT   | ALL            |
| 13                                   | 100208552* | SENSOR, SYSTEM / INLET   | ALL            |
| 14                                   | 100208569* | BULB WELL, 1/4", PRIOR TO SERIAL B08                           | ALL            |
| 15                                   | 100233695* | HIGH LIMIT THERMOSTAT BULB WELL, 3/8 NPT, BEGINNING SERIAL B08 | ALL            |
| 16                                   | 100208152* | GAUGE TRIOMETER, 75 PSI  | ALL            |
| 17                                   | 100208449  | RELIEF VALVE, 3/4", 30 PSI                                     | ALL            |
| 17                                   | 100208442  | PRESSURE RELIEF VALVE, 3/4", 50 PSI                            | ALL            |
| 18                                   | 100290394  | V-BAFFLE   | CB 045         |
| 18                                   | 100290395  | V-BAFFLE   | CB 075/090     |
| 18                                   | 100290396  | V-BAFFLE   | CB 135         |
| 18                                   | 100290397  | V-BAFFLE   | CB 180         |
| 18                                   | 100290398  | V-BAFFLE   | CB 215         |
| 18                                   | 100290399  | V-BAFFLE   | CB 260         |
| <b>PUMPS</b>                         |            |  |                |
| 19                                   | 100133598  | PUMP, BOILER BYPASS, 1", 1/25HP, CAST, PRIOR TO E10H00226216   | ALL            |
| 19                                   | 100208413  | PUMP, PERFORMANCE LOOP, 1/25HP, CAST, BEGINNING E10H00226216   | ALL            |

PLEASE HAVE MODEL AND SERIAL NUMBER AVAILABLE WHEN ORDERING PARTS  
\*ITEMS DENOTE SUGGESTED INVENTORY PARTS

| ITEM NO.   | PART NO.   | DESCRIPTION                              | MODEL NO.  |
|--|------------|--|------------|
| <b>LOCH-HEAT® TILE</b>   |            |  |            |
| 20   | 100145796  | INSULATION, BOTTOM                       | CB 045     |
| 20   | 100145797  | INSULATION, BOTTOM                       | CB 075/090 |
| 20   | 100145798  | INSULATION, BOTTOM                       | CB 135     |
| 20   | 100145799  | INSULATION, BOTTOM                       | CB 180     |
| 20   | 100145800  | INSULATION, BOTTOM                       | CB 215     |
| 20   | 100145801  | INSULATION, BOTTOM                       | CB 260     |
| 21   | 100145806  | LOCH-HEAT TILE, SIDE RIGHT               | ALL        |
| 22   | 100145775  | LOCH-HEAT TILE, SIDE LEFT                | ALL        |
| 23   | 100145776  | LOCH-HEAT TILE, FRONT                    | CB 045     |
| 23   | 100145778  | LOCH-HEAT TILE, FRONT                    | CB 075/090 |
| 23   | 100145780  | LOCH-HEAT TILE, FRONT                    | CB 135     |
| 23   | 100145782  | LOCH-HEAT TILE, FRONT                    | CB 180     |
| 23   | 100145784  | LOCH-HEAT TILE, FRONT                    | CB 215     |
| 23   | 100145786  | LOCH-HEAT TILE, FRONT                    | CB 260     |
| 24   | 100145777  | LOCH-HEAT TILE, BACK                     | CB 045     |
| 24   | 100145779  | LOCH-HEAT TILE, BACK                     | CB 075/090 |
| 24   | 100145781  | LOCH-HEAT TILE, BACK                     | CB 135     |
| 24   | 100145783  | LOCH-HEAT TILE, BACK                     | CB 180     |
| 24   | 100145785  | LOCH-HEAT TILE, BACK                     | CB 215     |
| 24   | 100145787  | LOCH-HEAT TILE, BACK                     | CB 260     |
| <b>MISCELLANEOUS</b>   |            |  |            |
| 25   | 100208111  | GASKET, PUMP FLANGE                      | ALL        |
| -  | 100208834* | OUTDOOR AIR SENSOR, BEGINNING SERIAL I12 | ALL        |
| <b>FLUE DAMPERS</b>  |            |  |            |
| 26   | 100290298  | FLUE DAMPER - 4"                         | CB 045     |
| 26   | 100233421  | FLUE DAMPER - 5"                         | CB 075/090 |
| 26   | 100278112  | FLUE DAMPER - 6"                         | CB 135     |
| 26   | 100278106  | FLUE DAMPER - 7"                         | CB 180/215 |
| 26   | 100290325  | FLUE DAMPER - 8"                         | CB 260     |
| <b>OPTIONS (NOT PICTURED)</b>  |            |  |            |
| -  | 100208653* | FLOW SWITCH W/ PADDLE, INDOOR            | ALL        |
| -  | 100157702  | OUTDOOR AIR RESET, PRIOR TO SERIAL I12   | ALL        |
| -  | 100157703  | ADJUSTABLE HIGH LIMIT, MANUAL RESET      | ALL        |
| -  | 100208651* | LOW WATER CUT-OFF W/ AUTO RESET          | ALL        |
| -  | 100208652* | LOW WATER CUT-OFF W/ MANUAL RESET        | ALL        |
| -  | 100157706* | PUMP DELAY                               | ALL        |
| -  | 100158999  | NAT - LP CONVERSION KIT, M9              | CB 045     |
| -  | 100158977  | NAT - LP CONVERSION KIT, M9              | CB 075-135 |
| -  | 100158978  | NAT - LP CONVERSION KIT, M9              | CB 180     |
| -  | 100159002  | NAT - LP CONVERSION KIT, M9              | CB 215/260 |
| <b>PLEASE HAVE MODEL AND SERIAL NUMBER AVAILABLE WHEN ORDERING PARTS</b> |            |  |            |
| <b>*ITEMS DENOTE SUGGESTED INVENTORY PARTS</b>                           |            |  |            |