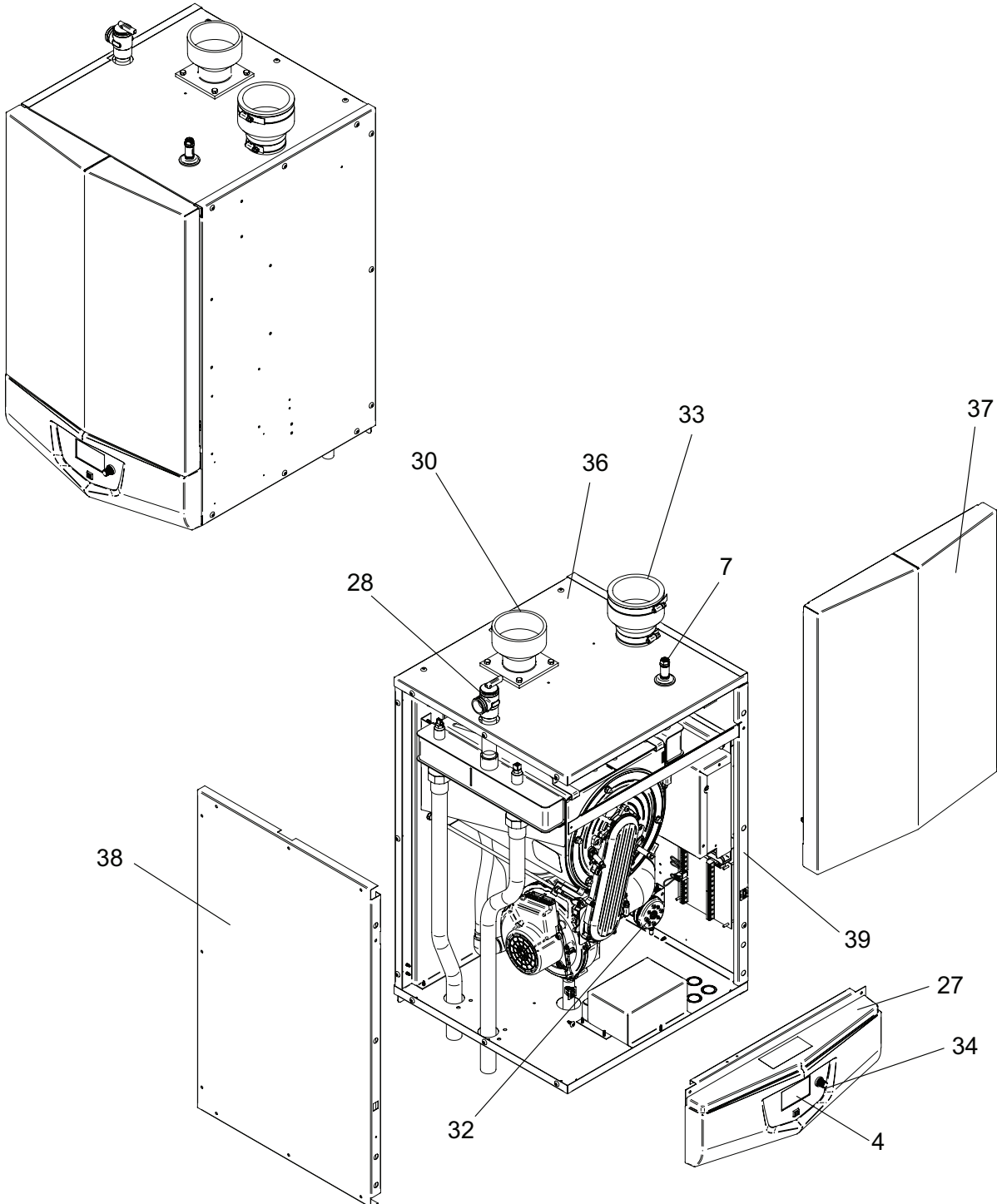




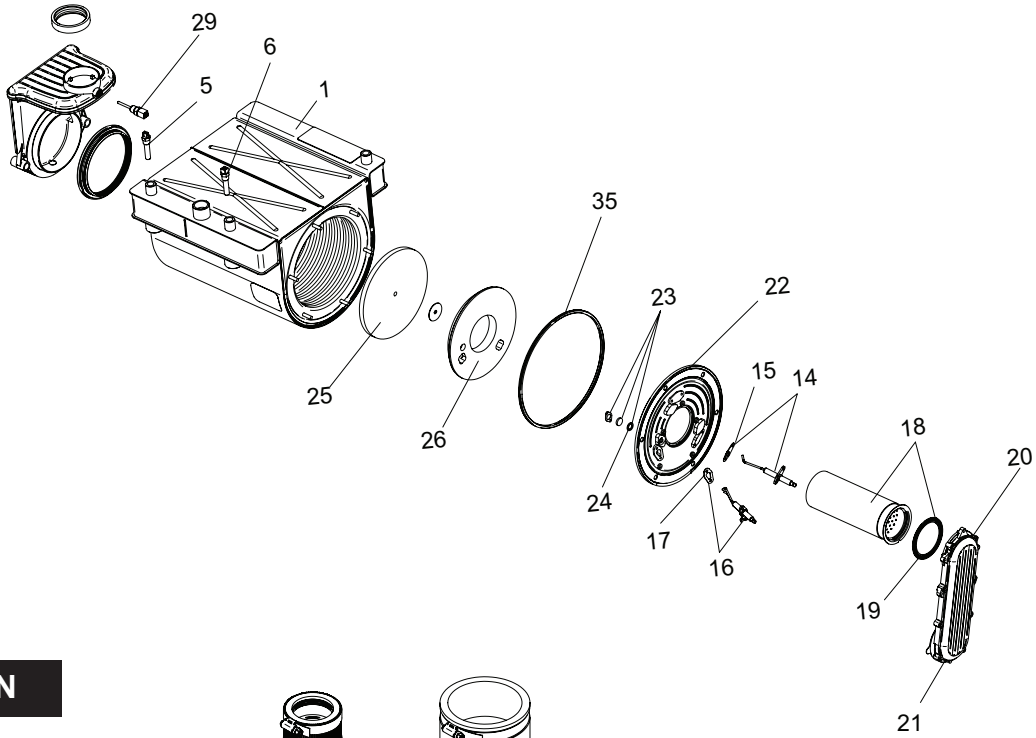
PARTS & SERVICE DEPARTMENT
Nashville, Tennessee
877-554-5544 • Fax: 615-882-2918
parts_team@lochinvar.com
www.Lochinvar.com

Replacement Parts List

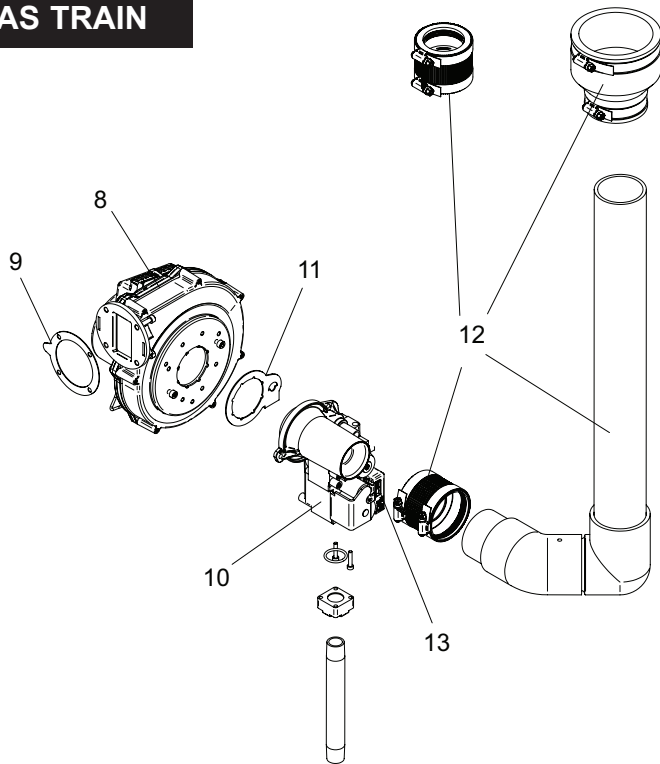
Armor Wall Mount Water Heaters WA 125 thru 201



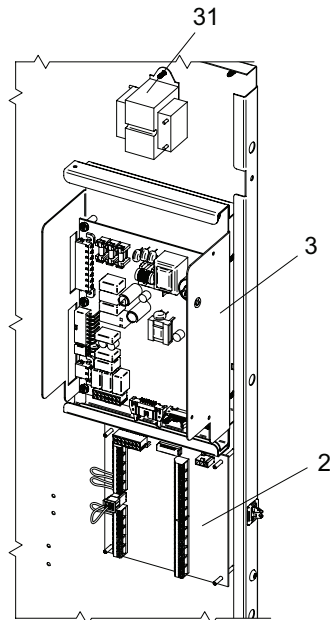
HEAT EXCHANGER



GAS TRAIN



CONTROL PANEL



ITEM NO.	PART NO.	DESCRIPTION	MODEL
HEAT EXCHANGER ASSEMBLY			
1	100147385	HEAT EXCHANGER	WA 125
1	100147386	HEAT EXCHANGER	WA 200/201
CONTROLS			
2	100208473*	LOW VOLTAGE CONNECTION BOARD	ALL
3	100167803*	INTEGRATED CONTROL	ALL
3	100167808	HIGH ALTITUDE INTEGRATED CONTROL	ALL
4	100208458*	USER INTERFACE CONTROL	ALL
-	100289528	USER INTERFACE OVERLAY	ALL
5	100208565*	SENSOR, INLET	ALL
6	100208566*	SENSOR, OUTLET / HIGH LIMIT	ALL
7	100167445	AIR VENT VALVE	ALL
8	100145003	FAN ASSEMBLY	WA 125
8	100145005	FAN ASSEMBLY	WA 200/201
9	100208764*	GASKET, BLOWER	WA 125
9	100208101*	GASKET, BLOWER	WA 200/201
-	100208509	RELAY, 120VAC 60HZ	ALL
GAS VALVES			
10	100171984	GAS VALVE ASSEMBLY	WA 125
10	100172013	GAS VALVE ASSEMBLY	WA 200/201
11	100208760	GASKET, VENTURI	ALL
12	100163245	AIR INLET KIT	ALL
13	100208324	SWITCH, GAS VALVE	ALL
PILOT & BURNER ASSEMBLIES			
14	100165930*	FLAME SENSOR W/ GASKET	ALL
15	100208091*	GASKET, FLAME SENSOR	ALL
16	100165929*	IGNITOR W/ GASKET	ALL
17	100208086*	GASKET, IGNITOR	ALL
18	100135278	BURNER W/ GASKET	WA 125
18	100135309	BURNER W/ GASKET	WA 200/201
19	100208085*	GASKET, BURNER	ALL
20	100173791	GAS/AIR ARM ASSEMBLY W/GASKET	WA 125
20	100173792	GAS/AIR ARM ASSEMBLY W/GASKET	WA 200/201
21	100208763*	GASKET, GAS/AIR ARM ASSEMBLY	ALL
22	100173749	HEAT EXCHANGER ACCESS DOOR	ALL
MISCELLANEOUS			
23	100163249	SIGHT GLASS	ALL
24	100208762	GASKET, SIGHT GLASS	ALL
25	100208061	DIVIDER PLATE, INSULATION BAFFLE	ALL
26	100289429	BURNER PLATE, INSULATION, DOOR	ALL
27	100286959	DISPLAY BEZEL	ALL
28	100277759	RELIEF VALVE - 150 PSI	ALL
29	100208556*	SENSOR, FLUE	ALL
30	100277782	FLUE CONNECTION - 3"	WA 125
31	100208230	TRANSFORMER, 24V, 40VA	ALL
32	100208381*	SWITCH, PRESSURE	WA 125
32	100289699*	SWITCH, PRESSURE	WA 200/201
33	100275561	COUPLING, AIR INLET - 3"	ALL
33	100287122	COUPLING, AIR INLET - 2"	ALL

PLEASE HAVE MODEL AND SERIAL NUMBER WHEN ORDERING PARTS
*ITEMS DENOTE SUGGESTED INVENTORY PARTS

ITEM NO.	PART NO.	DESCRIPTION	MODEL
MISCELLANEOUS (CONTINUED)			
34	100277824	KNOB, FLUTED W/ SKIRT	ALL
35	100208088*	GASKET, DOOR, RUBBER	ALL
-	100208569*	BULB WELL - 1/4"	ALL
-	100208552*	SENSOR, TANK	ALL
-	100286989	WALL MOUNT BRACKET	ALL
-	100208808*	FUSE, 0.8 AMP	ALL
-	100208231*	FUSE, 3.15 AMP	ALL
-	100208232*	FUSE, 5 AMP	ALL
-	100208653*	FLOW SWITCH	ALL
-	100208243*	SWITCH, BLOCKED DRAIN	ALL
-	100170644	SENSOR KIT, WATER HEATER	ALL
-	100208652*	MRLWCO WITH TEST	ALL
-	100157660	ALARM BELL	ALL
-	100158945	LP CONVERSION KIT	WA 125
-	100159009	LP CONVERSION KIT	WA 200/201
-	100163247	CONDENSATE TRAP ASSEMBLY	ALL
-	100208626	HARNESS, CONNECTION BOARD	ALL
-	100299107	HARNESS, RELAY	ALL
-	100288489	HARNESS, UNIT	ALL
-	100288499	HARNESS, POWER	ALL
-	100208636	CABLE, RIBBON	ALL
-	100208620	HARNESS, SPARK ELECTRODE	ALL
-	100208622	HARNESS, FLAME SENSE ELECTRODE	ALL
PUMPS			
-	100166430	PUMP, 1-1/4 FLG, 1/6 HP, BRZ, STANDARD	ALL
-	100166430	PUMP, 1-1/4 FLG, 1/6 HP, BRZ, STANDARD, PRIOR TO JULY 2017	WA 200/201
-	100208409	PUMP, 1-1/4 FLG, 1/6 HP, BRZ, STANDARD, BEGINNING JULY 2017	WA 125
-	100287807	PUMP, 1-1/2 FLG, 1/6 HP, BRZ, STANDARD, BEGINNING JULY 2017	WA 200/201
-	100287809	PUMP, 1-1/2 FLG, 3/4 HP, BRZ, UPSIZED, BEGINNING JULY 2017	ALL
JACKET ASSEMBLY			
36	100150548	JACKET, TOP	WA 125
36	100150537	JACKET, TOP	WA 200/201
37	100149766	JACKET, FRONT	ALL
38	100150547	JACKET, LEFT SIDE	WA 125
38	100150536	JACKET, LEFT SIDE	WA 200/201
39	100149935	JACKET, RIGHT SIDE	WA 125
39	100149932	JACKET, RIGHT SIDE	WA 200/201

PLEASE HAVE MODEL AND SERIAL NUMBER WHEN ORDERING PARTS
*ITEMS DENOTE SUGGESTED INVENTORY PARTS