

# ARMOR®

WALL MOUNT WATER HEATER

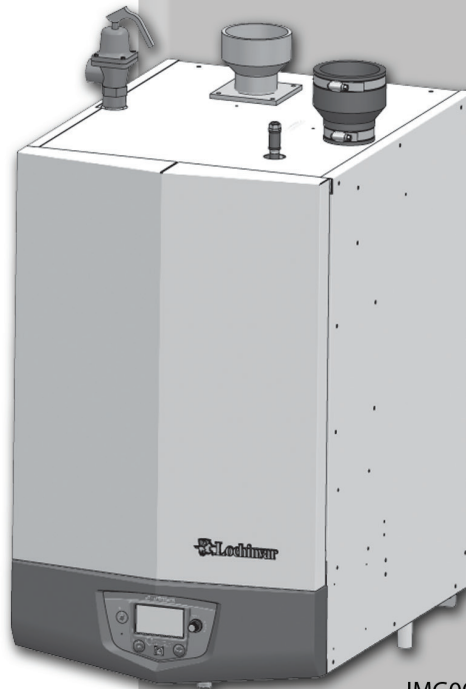
## Installation & Operation Manual Models: 125 - 201

**⚠ WARNING:** If the information in this manual is not followed exactly, a fire or explosion may result causing property damage, personal injury or loss of life.

-- This water heater **MUST NOT** be installed in any location where gasoline or flammable vapors are likely to be present.

### -- WHAT TO DO IF YOU SMELL GAS

- Do not try to light any appliance.
- Do not touch any electric switch; do not use any phone in your building.
- Immediately call your gas supplier from a near by phone. Follow the gas supplier's instructions.
- If you cannot reach your gas supplier, call the fire department.
- Installation and service must be performed by a qualified installer, service agency, or the gas supplier.



IMG00497



### ⚠ WARNING

This manual must only be used by a qualified heating installer / service technician. Read all instructions, including this manual and the Armor Wall Mount Water Heater Service Manual, before installing. Perform steps in the order given. Failure to comply could result in severe personal injury, death, or substantial property damage.

Save this manual for future reference.

# Contents

<b>HAZARD DEFINITIONS</b> .....	2	<b>6. SYSTEM PIPING</b>	
<b>PLEASE READ BEFORE PROCEEDING</b> .....	3	System Water Piping Methods .....	37
<b>THE ARMOR WALL MOUNT WATER HEATER -- HOW IT WORKS</b> .....	4-5	Flow Switch Installation .....	37
<b>RATINGS</b> .....	6	Flow Switch Adjustment .....	37
<b>1. DETERMINE WATER HEATER LOCATION</b>		Scalding .....	38
Provide Clearances .....	7-8	Water Chemistry .....	38
Provide Air Openings to Room .....	9	Piping Components .....	38
Wall Mounting Location .....	9	<b>7. GAS CONNECTIONS</b>	
Residential Garage Installation .....	9	Connecting Gas Supply Piping .....	44
Vent and Air Piping .....	9	Natural Gas .....	45
Prevent Combustion Air Contamination .....	9	Pipe Sizing for Natural Gas .....	45
Corrosive Contaminants and Sources .....	10	Natural Gas Supply Pressure Requirements .....	45
Using an Existing Vent System to Install a New Water Heater .....	10	Propane Gas .....	45
Removing a Water Heater from Existing Common Vent ..	11	Pipe Sizing for Propane Gas .....	45
<b>2. PREPARE WATER HEATER</b>		Propane Supply Pressure Requirements .....	45
Remove Water Heater from Wood Pallet .....	12	Check Inlet Gas Supply .....	46
Gas Conversions .....	12-13	Gas Pressure .....	47
Mounting the Water Heater .....	13	Gas Valve Replacement .....	47
<b>3. GENERAL VENTING</b>		<b>8. FIELD WIRING</b>	
Direct Venting Options .....	14	Line Voltage Connections .....	48
Install Vent and Combustion Air Piping .....	15	Low Voltage Connections .....	48
Requirements for Installation in Canada .....	16	Wiring of the Cascade .....	50
Sizing .....	16	<b>9. CONDENSATE DISPOSAL</b>	
Min./Max. Combustion Air & Vent Piping Lengths .....	16	Condensate Drain .....	52
Materials .....	16	<b>10. STARTUP</b> .....	53-57
Optional Room Air .....	17	<b>11. OPERATING INFORMATION</b>	
PVC/CPVC .....	18	General .....	58
Polypropylene .....	19	Cascade .....	60
Stainless Steel Vent .....	20	Sequence of Operation .....	61
<b>4. SIDEWALL DIRECT VENTING</b>		Armor Wall Mount Water Heater Control Module .....	62
Vent/Air Termination - Sidewall .....	21-27	Status Display Screens .....	63-65
Determine Location .....	21-25	<b>12. MAINTENANCE</b>	
Prepare Wall Penetrations .....	26	Maintenance & Annual Startup .....	66-70
Multiple Vent/Air Terminations .....	27	<b>13. DIAGRAMS</b>	
Sidewall Termination - Optional Concentric Vent .....	28-30	Ladder Diagram .....	71
<b>5. VERTICAL DIRECT VENTING</b>		Wiring Diagram .....	72
Vent/Air Termination - Vertical .....	31-32	Revision Notes .....	Back Cover
Determine Location .....	31		
Prepare Roof Penetrations .....	32		
Multiple Vent/Air Terminations .....	32		
Vertical Termination - Optional Concentric Vent ...	33-34		
Alternate Vertical Concentric Venting .....	35-36		

## Hazard definitions

The following defined terms are used throughout this manual to bring attention to the presence of hazards of various risk levels or to important information concerning the life of the product.

**⚠ DANGER** DANGER indicates an imminently hazardous situation which, if not avoided, will result in death or serious injury.

**⚠ WARNING** WARNING indicates a potentially hazardous situation which, if not avoided, could result in death or serious injury.

**⚠ CAUTION** CAUTION indicates a potentially hazardous situation which, if not avoided, may result in minor or moderate injury.

**CAUTION** CAUTION used without the safety alert symbol indicates a potentially hazardous situation which, if not avoided, may result in property damage.

**NOTICE** NOTICE indicates special instructions on installation, operation, or maintenance that are important but not related to personal injury or property damage.

## Please read before proceeding

### WARNING

**Installer** – Read all instructions, including this manual and the Armor Wall Mount Water Heater Service Manual, before installing. Perform steps in the order given.

Have this water heater serviced/inspected by a qualified service technician, at least annually.

Failure to comply with the above could result in severe personal injury, death or substantial property damage.

### NOTICE

When calling or writing about the water heater – Please have the water heater model and serial number from the water heater rating plate.

Consider piping and installation when determining water heater location.

Any claims for damage or shortage in shipment must be filed immediately against the transportation company by the consignee.

Factory warranty (shipped with unit) does not apply to units improperly installed or improperly operated.

### WARNING

Failure to adhere to the guidelines on this page can result in severe personal injury, death, or substantial property damage.

### WARNING

If the information in this manual is not followed exactly, a fire or explosion may result causing property damage, personal injury or loss of life.

-- This water heater **MUST NOT** be installed in any location where gasoline or flammable vapors are likely to be present.

#### -- WHAT TO DO IF YOU SMELL GAS

- Do not try to light any appliance.
- Do not touch any electric switch; do not use any phone in your building.
- Immediately call your gas supplier from a near by phone. Follow the gas supplier's instructions.
- If you cannot reach your gas supplier, call the fire department.
- Installation and service must be performed by a qualified installer, service agency, or the gas supplier.

### WARNING

DO NOT install units in rooms or environments that contain corrosive contaminants (see Table 1A on page 10). Failure to comply could result in severe personal injury, death, or substantial property damage.

#### When servicing the water heater –

- To avoid electric shock, disconnect electrical supply before performing maintenance.
- To avoid severe burns, allow the water heater to cool before performing maintenance.

#### Water heater operation –

- Do not block flow of combustion or ventilation air to the water heater.
- Should overheating occur or gas supply fail to shut off, do not turn off or disconnect electrical supply to circulator. Instead, shut off the gas supply at a location external to the appliance.
- Do not use this water heater if any part has been under water. The possible damage to a flooded appliance can be extensive and present numerous safety hazards. Any appliance that has been under water must be replaced.

# The Armor Wall Mount Water Heater - How it works...

- 1. Stainless steel heat exchanger**

Allows water to flow through specially designed coils for maximum heat transfer, while providing protection against flue gas corrosion. The coils are encased in a jacket that contains the combustion process.
- 2. Combustion chamber access cover**

Allows access to the combustion side of the heat exchanger coils.
- 3. Blower**

The blower pulls in air and gas through the venturi (item 5). Air and gas mix inside the blower and are pushed into the burner, where they burn inside the combustion chamber.
- 4. Gas valve**

The gas valve senses the negative pressure created by the blower, allowing gas to flow only if the gas valve is powered and combustion air is flowing.
- 5. Venturi**

The venturi controls air and gas flow into the burner.
- 6. Flue gas sensor (limit rated)**

This sensor monitors the flue gas exit temperature. The control module will modulate and shut down the water heater if the flue gas temperature gets too hot. This protects the flue pipe from overheating.
- 7. Water heater outlet temperature sensor (housed with the high limit sensor)**

This sensor monitors water heater outlet water temperature (system supply).
- 8. Water heater inlet temperature sensor**

This sensor monitors return water temperature (system return). If selected as the controlling sensor, the control module adjusts the water heater firing rate so the inlet temperature is correct.
- 9. Flow Switch (not shown)**

The flow switch is a safety device that ensures flow through the heat exchanger during operation. This appliance is low mass and should never be operated without flow. The flow switch makes contact when flow is detected and allows the unit to operate. If flow is discontinued during operation for any reason the flow switch will break the control circuit and the unit will shut down.
- 10. Electronic LCD display**

The electronic display consists of 4 buttons, a navigation dial and a multiple line liquid crystal display.
- 11. Flue pipe adapter**

Allows for the connection of the vent pipe system to the water heater.
- 12. Burner (not shown)**

Made with metal fiber and stainless steel construction, the burner uses pre-mixed air and gas and provides a wide range of firing rates.
- 13. Water outlet**

Water connection that supplies hot water to the tank.
- 14. Water inlet**

Water connection that returns water from the tank to the heat exchanger.
- 15. Gas connection pipe**

Threaded pipe connection. This pipe should be connected to the incoming gas supply for the purpose of delivering gas to the water heater.
- 16. SMART SYSTEM Control Module**

The SMART SYSTEM Control responds to internal and external signals and controls the blower, gas valve, and pumps to meet the demand.
- 17. Manual air vent**

Designed to remove trapped air from the heat exchanger coils.
- 18. Air intake adapter**

Allows for the connection of the air intake pipe to the water heater.
- 19. High voltage junction box**

The junction box contains the connection points for the line voltage power and the pump.
- 20. Low voltage connection board**

The connection board is used to connect external low voltage devices.
- 21. Low voltage wiring connections (knockouts)**

Conduit connection points for the low voltage connection board.
- 22. Condensate drain connection**

Connects the condensate drain line to a 1/2" pipe.
- 23. Access cover - front**

Provides access to all internal components.
- 24. Ignition electrode**

Provides direct spark for igniting the burner.
- 25. Flame inspection window**

The quartz glass window provides a view of the burner surface and flame.
- 26. Gas shutoff switch**

An electrical switch designed to cut power to the gas valve.
- 27. High limit sensor (housed with the outlet temperature sensor)**

Device that monitors the outlet water temperature. If the temperature exceeds its setting, the integrated control will break the control circuit, shutting the water heater down.
- 28. Relief valve**

Protects the heat exchanger from over pressure and temperature conditions. The relief valve is set at 150 PSI.
- 29. Flame sensor**

Used by the control module to detect the presence of burner flame.
- 30. Line voltage wiring connections (knockouts)**

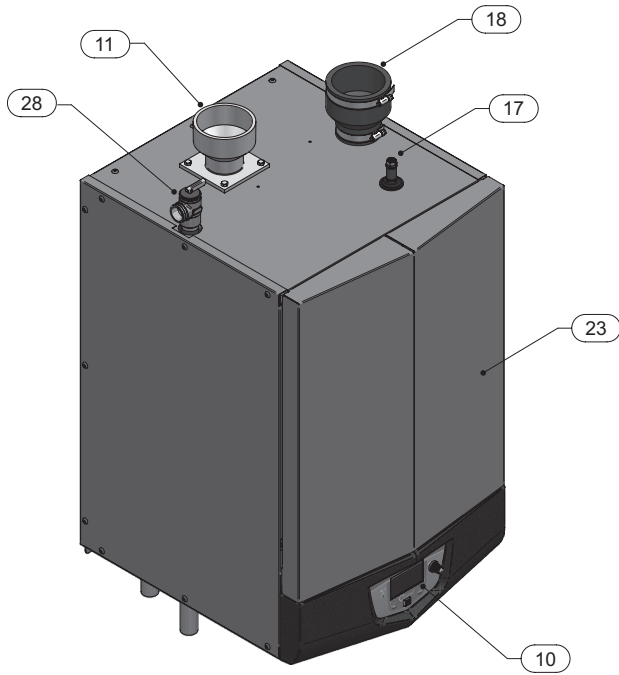
Conduit connection points for the high voltage junction box.
- 31. Air pressure switch**

The air pressure switch detects blocked inlet or outlet conditions.
- 32. Pump relay (not shown)**

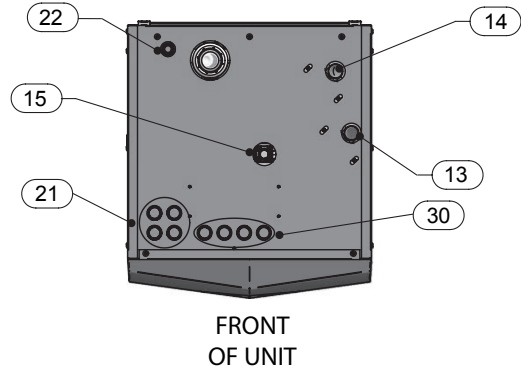
The pump relay is used to control the circulation pump.
- 33. Transformer**

The transformer provides 24V power to the integrated control.

# The Armor Wall Mount Water Heater - How it works... *(continued)*

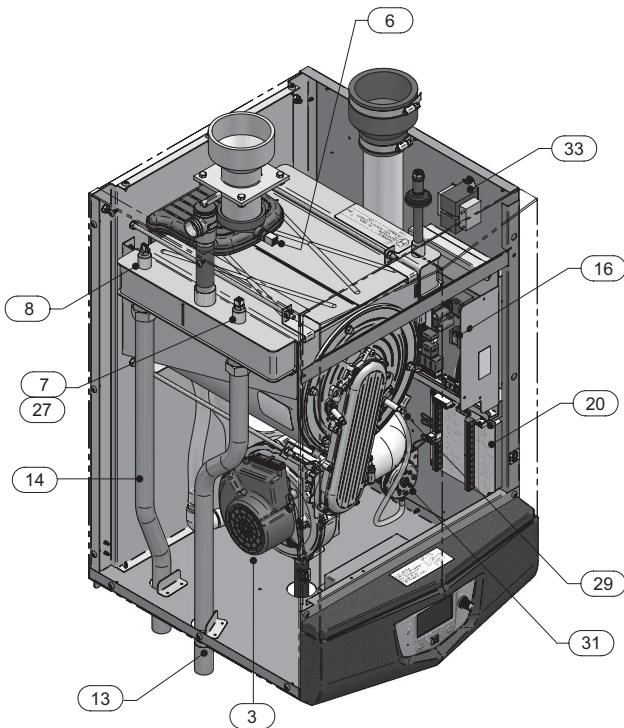


Front View

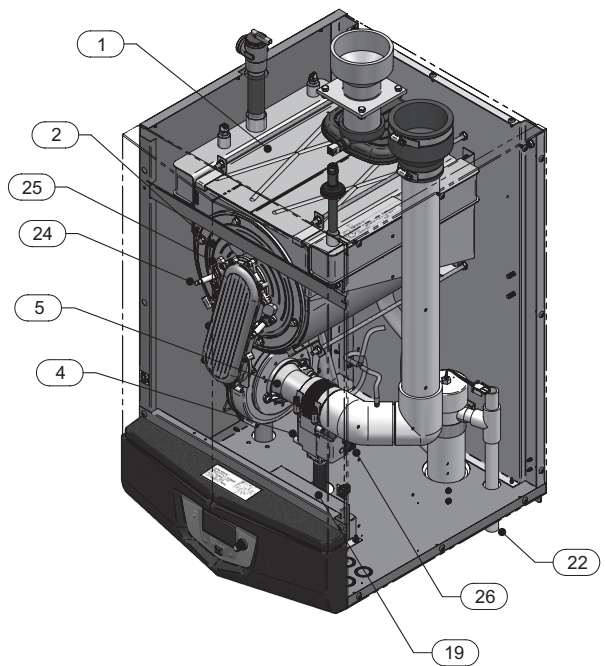


FRONT  
OF UNIT

Bottom View



Left Side (inside unit)



Right Side (inside unit)

# Ratings



Model Number Note: Change "N" to "L" for L.P. gas models.	CSA Input Modulation Btu/hr	Water Content Gallons	Water Connections	Gas Connections	Vent/Air Size
	(Note 2, 3)				(Note 1)
WAN125PM**	25,000 - 125,000	1.0	1"	1/2"	3"/3"
WAN200PM**	39,800 - 199,000	1.8	1-1/4"	1/2"	3"/3"
WAN201PM†	39,800 - 201,000	1.8	1-1/4"	1/2"	3"/3"
*Note: Applies to WAN200 & WAN201 Models ONLY.					
**Canada Only      †AHRI Certified Models					

**NOTICE**

Maximum allowed working pressure is located on the rating plate.

**Notes:**

1. Armor wall mount water heaters require special gas venting. Use only the vent materials and methods specified in the Armor Wall Mount Installation and Operation Manual.
2. Standard Armor wall mount water heaters are equipped to operate from sea level to 4,500 feet **only** with no adjustments. The water heater will de-rate by 4% for each 1,000 feet above sea level up to 4,500 feet.
3. High altitude Armor wall mount water heaters are equipped to operate from 3,000 to 12,000 feet **only**. The water heater will de-rate by 2% for each 1,000 feet above sea level. High altitude models are manufactured with a different control module for altitude operation, but the operation given in this manual remains the same as the standard models. A high altitude label (as shown in FIG. A) is also affixed to the unit.

De-rate values are based on proper combustion calibration and CO<sub>2</sub>'s adjusted to the recommended levels.

4. The manual reset high limit provided with the Armor wall mount water heater is listed to UL353. The auto reset high limit is listed to ANSI Z21.87.

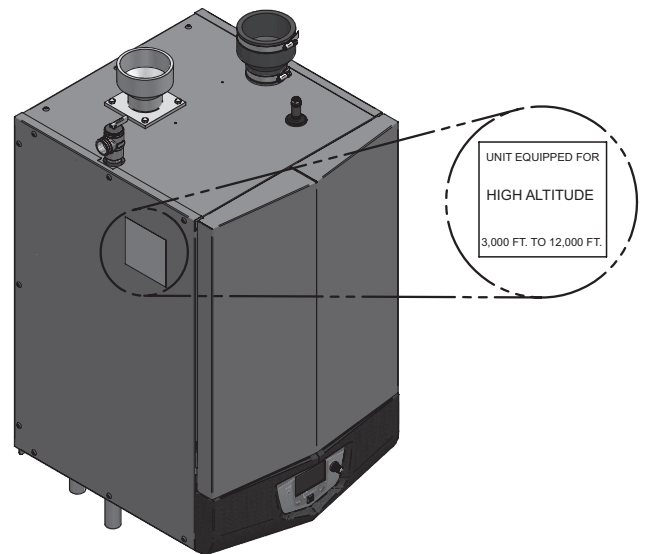


Figure A High Altitude Label Location

# 1 Determine water heater location

## Installation must comply with:

- Local, state, provincial, and national codes, laws, regulations, and ordinances.
- National Fuel Gas Code, ANSI Z223.1 – latest edition.
- National Electrical Code.
- For Canada only: B149.1 Installation Code, CSA C22.1 Canadian Electrical Code Part 1 and any local codes.

### NOTICE

The Armor wall mount water heater gas manifold and controls met safe lighting and other performance under tests specified in ANSI Z21.10.3 – latest edition.

## Before locating the water heater, check:

1. Check for nearby connection to:
  - Water piping
  - Venting connections
  - Gas supply piping
  - Electrical power
2. Locate the appliance so that if water connections should leak, water damage will not occur. When such locations cannot be avoided, it is recommended that a suitable drain pan, adequately drained, be installed under the appliance. The pan must not restrict combustion air flow. Under no circumstances is the manufacturer to be held responsible for water damage in connection with this appliance, or any of its components.
3. Check area around the water heater. Remove any combustible materials, gasoline and other flammable liquids.

### WARNING

Failure to keep water heater area clear and free of combustible materials, gasoline, and other flammable liquids and vapors can result in severe personal injury, death, or substantial property damage.

4. The Armor wall mount water heater must be installed so that gas control system components are protected from dripping or spraying water or rain during operation or service.
5. If a new wall mount water heater will replace an existing water heater, check for and correct system problems.
6. Check around the water heater for any potential air contaminants that could risk corrosion to the water heater or the water heater combustion air supply (see Table 1A on page 10). Prevent combustion air contamination. Remove any of these contaminants from the water heater area.

### WARNING

DO NOT install units in rooms or environments that contain corrosive contaminants (see Table 1A on page 10). Failure to comply could result in severe personal injury, death, or substantial property damage.

### WARNING

This appliance is certified as an indoor appliance. Do not install the appliance outdoors or locate where the appliance will be exposed to freezing temperatures.

Do not install the appliance where condensation may form on the inside or outside of the appliance, or where condensation may fall onto the appliance.

Failure to install the appliance indoors could result in severe personal injury, death, or substantial property damage.

### WARNING

This appliance requires a special venting system. If using PVC the vent connection to the appliance must be made with the starter CPVC pipe section provided with the appliance. The field provided vent fittings must be cemented to the CPVC pipe section. Use only the vent materials, primer and cement specified in this manual to make the vent connections. Failure to follow this warning could result in fire, personal injury, or death.

## Closet and alcove installations

A closet is any room in which the water heater is installed which has a volume of 104 cubic feet maximum.

An alcove is any room which meets the criteria for a closet with the exception that it does not have a door.

**Example:** Room dimensions = 4 feet long, 5 feet wide, and 9 foot ceiling = 4 x 5 x 9 = 180 cubic feet.

### WARNING

For closet and alcove installations as shown in FIG.'s 1-1 and 1-2, CPVC vent material must be used inside the structure. The ventilating air openings shown in FIG.'s 1-1 and 1-2 are required for this arrangement. Failure to follow this warning could result in fire, personal injury, or death.

## Provide clearances:

### Clearances from combustible materials

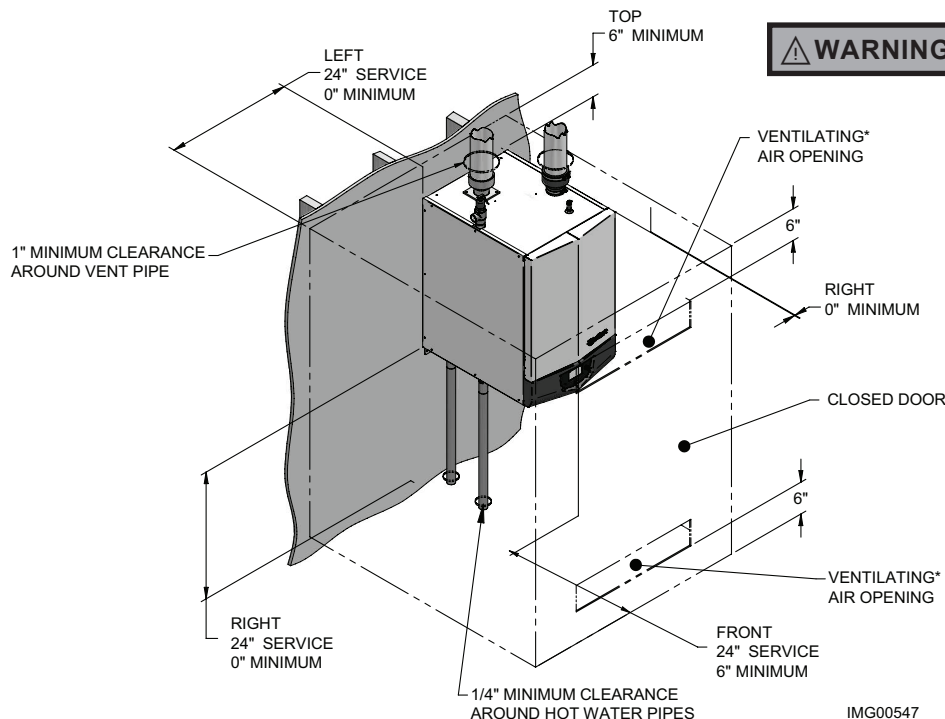
1. Hot water pipes—at least 1/4" from combustible materials.
2. Vent pipe – at least 1" from combustible materials.
3. See FIG.'s 1-1 and 1-2 on page 8 for other clearance minimums.

### Clearances for service access

1. See FIG.'s 1-1 and 1-2 on page 8 for recommended service clearances. If you do not provide the minimum clearances shown, it may not be possible to service the water heater without removing it from the space.

# 1 Determine water heater location

Figure 1-1 Closet Installation - Minimum Required Clearances



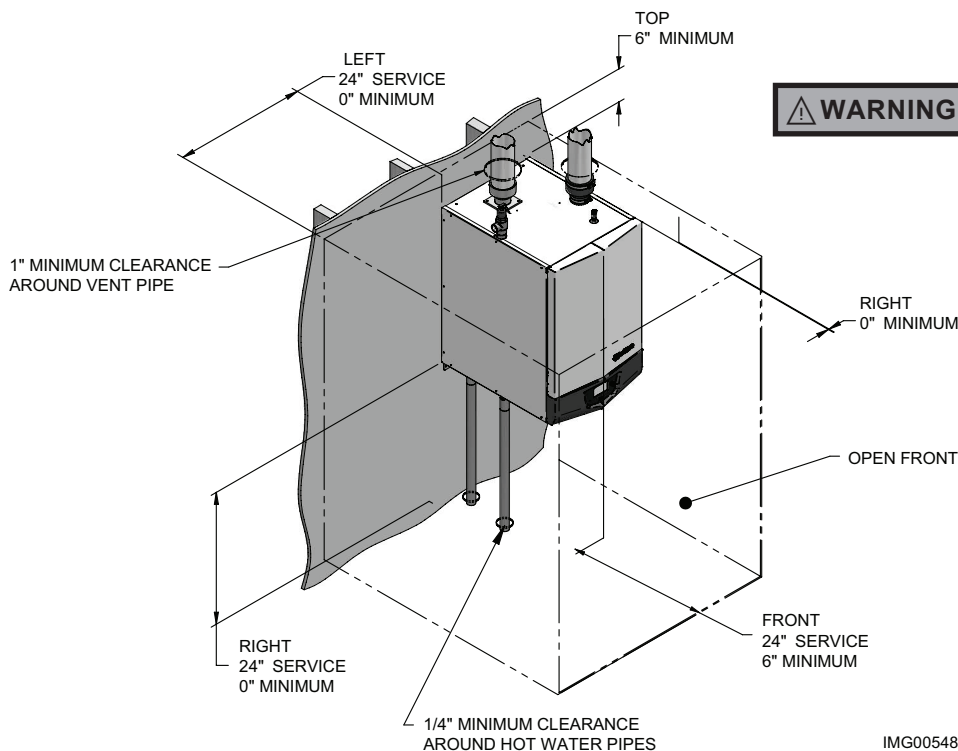
**WARNING**

For closet installations, CPVC or stainless steel vent material **MUST BE** used in a closet structure due to elevated temperatures. Failure to follow this warning could result in fire, personal injury, or death.

\*AREA OF EACH OPENING:  
1 SQ. INCH PER 1000 BTU PER HOUR INPUT  
WITH A MINIMUM OF 100 SQ. INCHES.

**Note:** Service clearances are recommendations only.

Figure 1-2 Alcove Installation - Minimum Required Clearances



**WARNING**

For alcove installations, CPVC or stainless steel vent material **MUST BE** used in an alcove structure due to elevated temperatures. Failure to follow this warning could result in fire, personal injury, or death.

\*AREA OF EACH OPENING:  
1 SQ. INCH PER 1000 BTU PER HOUR INPUT  
WITH A MINIMUM OF 100 SQ. INCHES.

**Note:** Service clearances are recommendations only.

# 1 Determine water heater location *(continued)*

## Provide air openings to room:

### Armor wall mount water heater alone in equipment room

1. No air ventilation openings into the equipment room are needed when clearances around the Armor wall mount water heater are at least equal to the SERVICE clearances shown in FIG.'s 1-1 and 1-2. For spaces that do NOT supply this clearance, provide two openings as shown in FIG. 1-1. Each opening must provide one square inch free area per 1,000 Btu/hr of water heater input.

### Armor wall mount water heater in same space with other gas or oil-fired appliances

1. Follow the National Fuel Gas Code (U.S.) or CSA B149.1 (Canada) to size/verify size of the combustion/ventilation air openings into the space.

**⚠ WARNING**

The space must be provided with combustion/ventilation air openings correctly sized for all other appliances located in the same space as the Armor wall mount water heater.

Do not install the water heater in an attic.

Failure to comply with the above warnings could result in severe personal injury, death, or substantial property damage.

2. Size openings only on the basis of the other appliances in the space. No additional air opening free area is needed for the Armor wall mount water heater because it takes its combustion air from outside (direct vent installation).

## Wall mounting location

Ensure the wall for which the water heater is intended to be mounted to is comprised of either, cement, brick, block, or wooden studs spaced 16" apart from center. Ensure the wall is capable of supporting at least 200 pounds.

If flooding is possible, elevate the water heater sufficiently to prevent water from reaching the water heater.

Ensure the water heater is installed in a location that minimizes the risk of water damage due to valves, pumps, etc.

## Residential garage installation

### Precautions

Take the following precautions when installing the appliance in a residential garage. If the appliance is located in a residential garage, it should be installed in compliance with the latest edition of the National Fuel Gas Code, ANSI Z223.1 and/or CAN/CGA-B149 Installation Code.

- Appliances located in residential garages and in adjacent spaces that open to the garage and are not part of the living space of a dwelling shall be installed so that all burners and burner ignition devices are located not less than 18 inches (46 cm) above the floor.
- The appliance shall be located or protected so that it is not subject to physical damage by a moving vehicle.

### Vent and air piping

The Armor wall mount water heater requires a special vent system, designed for pressurized venting.

The water heater is to be used for either direct vent installation or for installation using indoor combustion air. When room air is considered, see the General Venting Section. Note prevention of combustion air contamination below when considering vent/air termination.

Vent and air must terminate near one another and may be vented vertically through the roof or out a side wall, unless otherwise specified. You may use any of the vent/air piping methods covered in this manual. Do not attempt to install the Armor wall mount water heater using any other means.

Be sure to locate the water heater such that the vent and air piping can be routed through the building and properly terminated. The vent/air piping lengths, routing and termination method must all comply with the methods and limits given in this manual.

### Prevent combustion air contamination

Install air inlet piping for the Armor wall mount water heater as described in this manual. Do not terminate vent/air in locations that can allow contamination of combustion air. Refer to Table 1A, page 10 for products and areas which may cause contaminated combustion air.

**⚠ WARNING**

You must pipe combustion air to the water heater air intake. Ensure that the combustion air will not contain any of the contaminants in Table 1A, page 10. Contaminated combustion air will damage the water heater, resulting in possible severe personal injury, death or substantial property damage. Do not pipe combustion air near a swimming pool, for example. Also avoid areas subject to exhaust fumes from laundry facilities. These areas will always contain contaminants.

# 1 Determine water heater location

Table 1A Corrosive Contaminants and Sources

Products to avoid:
Spray cans containing chloro/fluorocarbons
Permanent wave solutions
Chlorinated waxes/cleaners
Chlorine-based swimming pool chemicals
Calcium chloride used for thawing
Sodium chloride used for water softening
Refrigerant leaks
Paint or varnish removers
Hydrochloric acid/muriatic acid
Cements and glues
Antistatic fabric softeners used in clothes dryers
Chlorine-type bleaches, detergents, and cleaning solvents found in household laundry rooms
Adhesives used to fasten building products and other similar products
Areas likely to have contaminants
Dry cleaning/laundry areas and establishments
Swimming pools
Metal fabrication plants
Beauty shops
Refrigeration repair shops
Photo processing plants
Auto body shops
Plastic manufacturing plants
Furniture refinishing areas and establishments
New building construction
Remodeling areas
Garages with workshops

## When using an existing vent system to install a new water heater:

**⚠ WARNING** Failure to follow all instructions can result in flue gas spillage and carbon monoxide emissions, causing severe personal injury or death.

Check the following venting components before installing:

- **Material** - For materials listed for use with this appliance, see Section 3 - General Venting. For polypropylene or stainless steel venting, an adapter of the same manufacturer must be used at the flue collar connection.
- **Size** - To ensure proper pipe size is in place, see Table 3?. Check to see that this size is used throughout the vent system.
- **Manufacturer** - For a stainless steel or polypropylene application, you must use only the listed manufacturers and their type product listed in Tables 3C and 3E for CAT IV positive pressure venting with flue producing condensate.
- **Supports** - Non-combustible supports must be in place allowing a minimum 1/4" rise per foot. The supports should adequately prevent sagging and vertical slippage, by distributing the vent system weight. For additional information, consult the vent manufacturer's instructions for installation.
- **Terminations** - Carefully review Sections 3 through 5 to ensure requirements for the location of the vent and air terminations are met and orientation of these fit the appropriate image from the Horizontal or Vertical options listed in the General Venting Section. For stainless steel vent, only use terminations listed in Table 3I for the manufacturer of the installed vent.
- **Seal** - With prior requirements met, the system should be tested to the procedure listed in parts (c) through (f) of the Removal of an Existing Water Heater Section on page 11.

With polypropylene and stainless steel vent, seal and connect all pipe and components as specified by the vent manufacturer used; with PVC/CPVC vent, see the Installing Vent or Air Piping Section on page 17.

**⚠ WARNING** If any of these conditions are not met, the existing system must be updated or replaced for that concern. Failure to follow all instructions can result in flue gas spillage and carbon monoxide emissions, causing severe personal injury or death.

# 1 Determine water heater location *(continued)*

## When removing a water heater from existing common vent system:

### DANGER

Do not install the Armor wall mount water heater into a common vent with any other appliance. This will cause flue gas spillage or appliance malfunction, resulting in possible severe personal injury, death, or substantial property damage.

### WARNING

Failure to follow all instructions can result in flue gas spillage and carbon monoxide emissions, causing severe personal injury or death.

At the time of removal of an existing water heater, the following steps shall be followed with each appliance remaining connected to the common venting system placed in operation, while the other appliances remaining connected to the common venting system are not in operation.

- a. Seal any unused openings in the common venting system.
- b. Visually inspect the venting system for proper size and horizontal pitch and determine there is no blockage or restriction, leakage, corrosion, or other deficiencies, which could cause an unsafe condition.
- c. Test vent system – Insofar as is practical, close all building doors and windows and all doors between the space in which the appliances remaining connected to the common venting system are located and other spaces of the building. Turn on clothes dryers and any appliance not connected to the common venting system. Turn on any exhaust fans, such as range hoods and bathroom exhausts, so they will operate at maximum speed. Do not operate a summer exhaust fan. Close fireplace dampers.
- d. Place in operation the appliance being inspected. Follow the lighting instructions. Adjust thermostat so appliance will operate continuously.
- e. Test for spillage at the draft hood relief opening after 5 minutes of main burner operation. Use the flame of a match or candle, or smoke from a cigarette, cigar, or pipe.
- f. After it has been determined that each appliance remaining connected to the common venting system properly vents when tested as outlined herein, return doors, windows, exhaust fans, fireplace dampers, and any other gas-burning appliance to their previous conditions of use.
- g. Any improper operation of the common venting system should be corrected so the installation conforms with the National Fuel Gas Code, ANSI Z223.1/NFPA 54 and/or CAN/CSA B149.1, Natural Gas and Propane Installation Code. When resizing any portion of the common venting system, the common venting system should be resized to approach the minimum size as determined using the appropriate tables in the National Fuel Gas Code, ANSI Z223.1/NFPA and/or CAN/CSA B149.1, Natural Gas and Propane Installation Code.

## 2 Prepare water heater

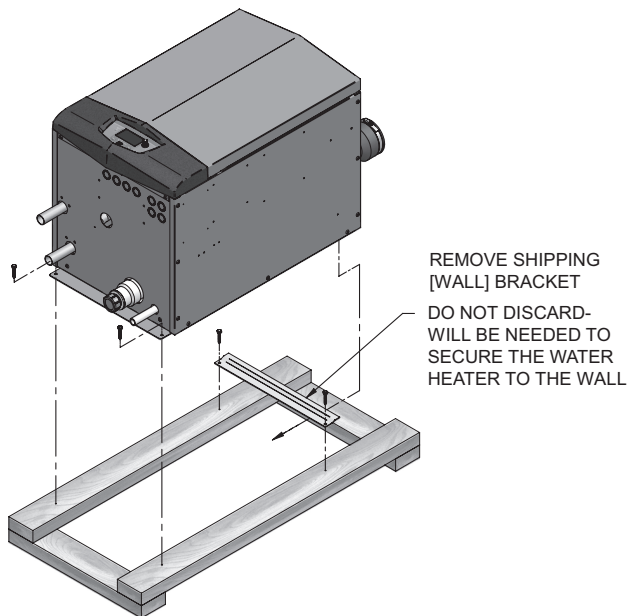
### Remove water heater from wood pallet

1. After removing the outer shipping carton from the water heater, remove the parts box.
2. To remove the water heater from the pallet:
  - a. Remove the two (2) lag bolts securing the bottom of the unit to the pallet.
  - b. Lift the water heater off the wall bracket mounted to the pallet.
3. Remove the two (2) lag bolts securing the wall bracket to the wood pallet. Be certain not to lose the wall bracket as it will be needed for securing the water heater to the wall (FIG. 2-1).

**NOTICE**

Do not drop the water heater or bump the jacket on the floor or pallet. Damage to the water heater can result.

**Figure 2-1** Water Heater Mounted on Shipping Pallet



### Gas conversions

**WARNING**

The gas conversion procedure should be accomplished BEFORE the water heater is installed. For a water heater already installed, you must turn off gas supply, turn off power, and allow the water heater to cool before proceeding. You must also completely test the water heater after conversion to verify performance as described under Start-up, Section 10 of this manual.

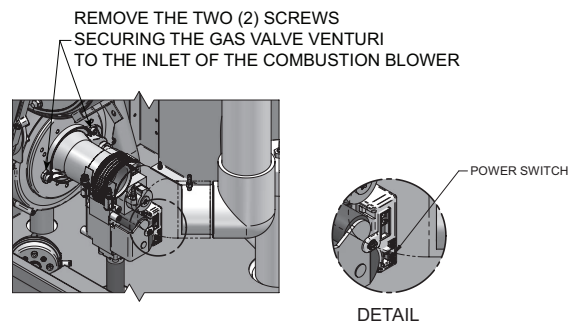
You must install the propane orifice to fire the Armor wall mount water heater on propane. Verify when installing that the orifice size marking matches water heater size (Table 2A). Failure to comply could result in severe personal injury, death, or substantial property damage.

**Table 2A** LP Conversion Table

LP Conversion Table	
Model	LP Orifice Stamping
125	125
200/201	210 / W150

1. Remove the front access cover from the unit (no tools required for removal).
2. Disconnect the ribbon cable from the control board. Remove the four (4) screws securing the bezel to the front of the unit and remove the bezel.
3. Disconnect the Molex plug from the wiring connector located on the gas valve.
4. Using a 5/16" nut driver, loosen the band clamp securing the air intake coupler to the gas valve venturi. Remove the air intake pipe and coupler from the gas valve venturi.
5. Using a 4mm Allen wrench, remove the two (2) screws securing the gas valve venturi to the inlet of the combustion blower (FIG. 2-2). Remove the gas valve venturi assembly from the unit.

**Figure 2-2** Gas Valve Power Switch & Venturi Removal



6. Using a 4mm Allen wrench, remove the four (4) screws securing the gas valve to the venturi (FIG. 2-3).
7. Locate the propane orifice disk from the conversion kit bag. Verify that the stamping on the orifice disk matches the water heater size (125 - 201, see Table 2A).
8. Place the orifice into the black rubber grommet in the side of the gas valve and secure inside the gas valve (see FIG. 2-3).
9. Reposition the gas valve against the venturi and replace the four (4) screws removed in Step 6, securing the valve to the venturi (FIG. 2-3).
10. Reposition the gas valve venturi assembly inside the unit. Secure the gas valve venturi to the combustion blower by replacing the two (2) screws removed in Step 5 (FIG. 2-2).
11. Reattach the air intake pipe and coupler to the gas valve venturi. Tighten the band clamp to secure.

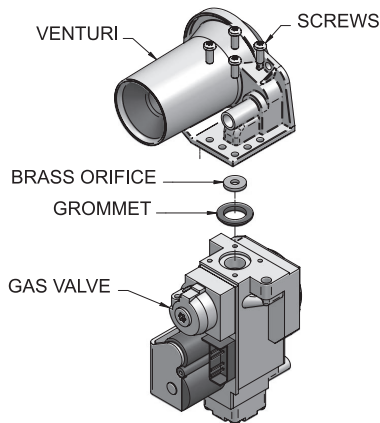
## 2 Prepare water heater *(continued)*

12. Reattach the wiring connector to the gas valve. Tighten the screw on the wiring connector to secure to the gas valve.
13. Turn the gas valve power switch to the "ON" position.
14. Reattach the bezel to the unit. Reconnect the ribbon cable to the control board.
15. After installation is complete, fill out the gas conversion label (in the conversion kit bag) and affix it to the unit under the water heater rating plate inside the unit. Attach the LP caution label (in the conversion kit bag) to the left side of the unit in the lower left corner.
16. Replace the front access cover.

**WARNING**

After converting to LP, check combustion per the Start-up procedure in Section 10 of this manual. Failure to check and verify combustion could result in severe personal injury, death, or substantial property damage.

**Figure 2-3 Installing Propane Orifice**



### Mounting the water heater

See page 9 of this manual for water heater mounting location instructions.

**NOTICE**

The Armor Wall Mount water heater is not intended for floor installation.

#### Mounting to a wood studded wall:

1. The wall mount bracket is designed for a stud spacing of 16 inches from center. For other stud spacing a solid mounting surface must be provided by the installer.

**WARNING**

Do not mount the water heater to a hollow wall. Be sure to mount the water heater to the studs only. It must be mounted vertically, with the air and flue connections on the top and the water and gas connections on the bottom.

2. Mount the wall bracket using the 2 1/4" lag bolts provided. Make sure the top edge of the bracket is away from the wall. Ensure the bracket is level when mounted. Extreme care is needed to ensure the bolts are secured in the center of the studs.
3. Hang the water heater on the bracket and secure the bottom of the water heater with two (2) additional lag bolts provided.

**WARNING**

The water heater is too heavy for a single person to lift. A minimum of two people is needed for mounting the water heater onto the bracket.

#### Mounting to a concrete wall:

1. Mount the wall bracket using the two (2) wedge anchor bolts provided with the bracket. To mount the wedge anchor bolts, drill a 1/4" diameter hole 1 1/8" deep and insert anchor. Hang the bracket from the anchor and secure with the two nuts provided. Make sure the top edge of the bracket is away from the wall. Ensure bracket is level when mounted. Extreme care is needed to ensure the bolts are secured in the center of the studs.

**Note:** If wall thickness does not allow a 1 1/8" deep hole, field supplied hardware suitable for the application should be provided.

2. Hang the water heater on the bracket and secure the bottom of the water heater with two (2) remaining anchors, following the instructions above.

**WARNING**

The water heater is too heavy for a single person to lift. A minimum of two people is needed for mounting the water heater onto the bracket.

#### Mounting to a metal studded wall:

1. The wall mount bracket is designed for a stud spacing of 16 inches from center. For other stud spacing a solid mounting surface must be provided by the installer.

**WARNING**

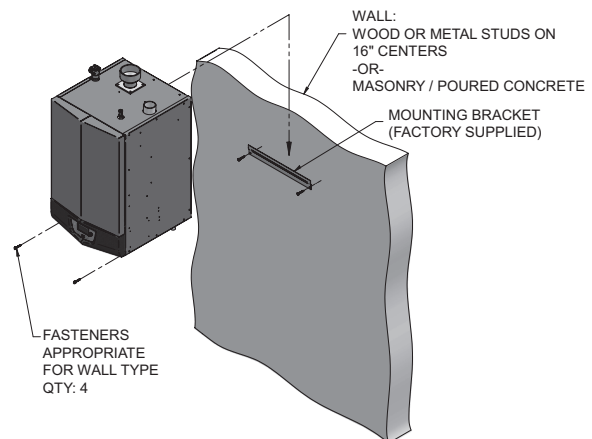
Do not mount the water heater to a hollow wall. Be sure to mount the water heater to the studs only.

2. Mount the wall bracket using two (2) field supplied toggle bolts capable of supporting 100 pounds each. Ensure the top edge of the bracket is away from the wall. Ensure the bracket is level when mounted. Extreme care is needed to ensure the bolts are secured in the center of the studs.
3. Hang the water heater on the bracket and secure the bottom of the water heater with two (2) field supplied toggle bolts.

**WARNING**

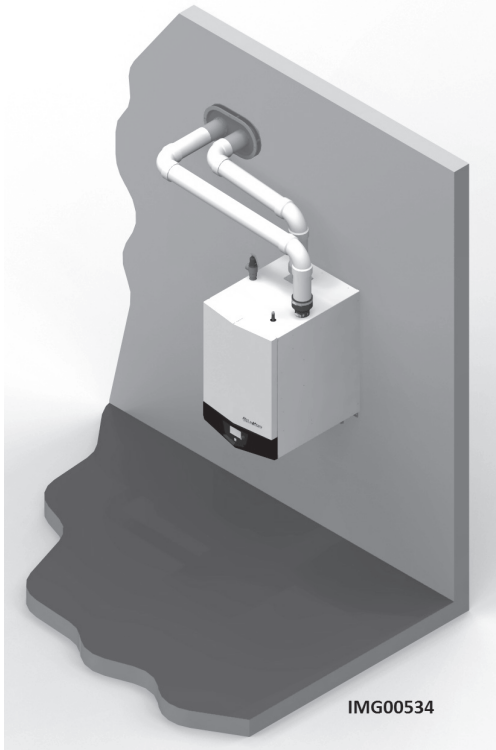
The water heater is too heavy for a single person to lift. A minimum of two people is needed for mounting the water heater onto the bracket.

**Figure 2-4 Mounting the Water Heater**

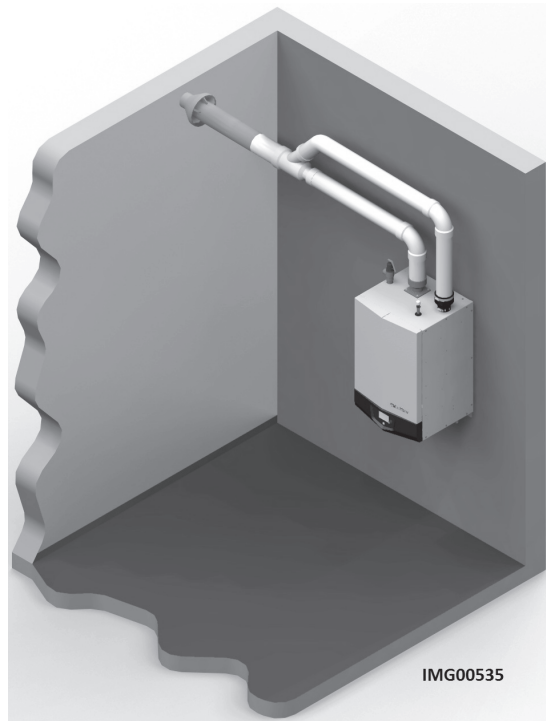


### 3 General venting

#### Direct venting options - Sidewall Vent

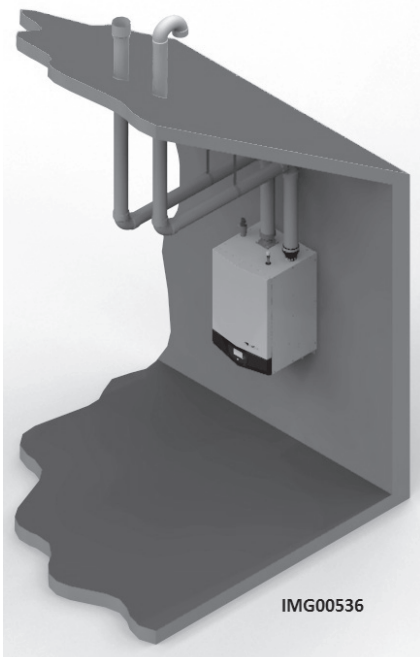


**Figure 3-1** Two-Pipe Sidewall Termination - See page 21 for more details

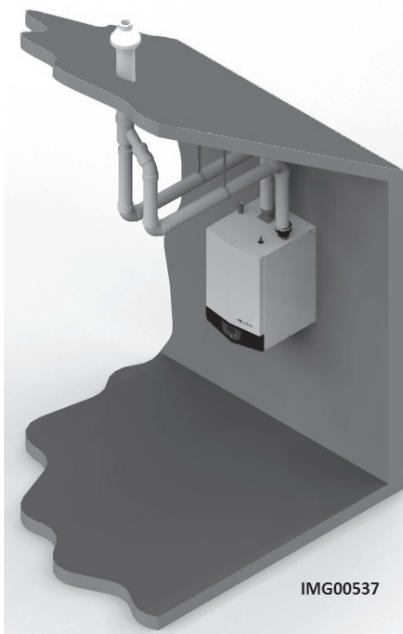


**Figure 3-2** PVC/CPVC Concentric Sidewall Termination - See page 28 for more details

#### Direct venting options - Vertical Vent



**Figure 3-3** Two-Pipe Vertical Termination - See page 31 for more details



**Figure 3-4** PVC/CPVC Concentric Vertical Termination - See page 33 for more details



**Figure 3-5** Vertical Vent, Sidewall Air

### 3 General venting *(continued)*

#### Install vent and combustion air piping

**⚠ DANGER** The Armor wall mount water heater must be vented and supplied with combustion and ventilation air as described in this section. Ensure the vent and air piping and the combustion air supply comply with these instructions regarding vent system, air system, and combustion air quality. See also Section 1 of this manual.

Inspect finished vent and air piping thoroughly to ensure all are airtight and comply with the instructions provided and with all requirements of applicable codes.

Failure to provide a properly installed vent and air system will cause severe personal injury or death.

**⚠ WARNING** This appliance requires a special venting system. Use only approved stainless steel, PVC, CPVC or polypropylene pipe and fittings listed in Tables 3D, 3E, and 3G for vent pipe, and fittings. Failure to comply could result in severe personal injury, death, or substantial property damage.

**⚠ WARNING** DO NOT mix components from different systems. The vent system could fail, causing leakage of flue products into the living space. Mixing of venting materials will void the warranty and certification of the appliance.

**NOTICE** Installation must comply with local requirements and with the National Fuel Gas Code, ANSI Z223.1 for U.S. installations or CSA B149.1 for Canadian installations.

**⚠ WARNING** For closet and alcove installations, CPVC, polypropylene or stainless steel material **MUST BE** used in a closet/alcove structure. Failure to follow this warning could result in fire, personal injury, or death.

**⚠ CAUTION** Improper installation of venting systems may result in injury or death.

**NOTICE** Follow the instructions in Section 1, page 10 of this manual when removing a water heater from an existing vent system.

**⚠ WARNING** Do not connect any other appliance to the vent pipe or multiple water heaters to a common vent pipe. Failure to comply could result in severe personal injury, death, or substantial property damage.

**NOTICE** Vent system must be pitched a 1/4" minimum per foot back to the appliance to allow drainage of condensate.

The Armor wall mount water heater vent and air piping can be installed through the roof or through a sidewall. Follow the procedures in this manual for the method chosen. Refer to the information in this manual to determine acceptable vent and air piping length.

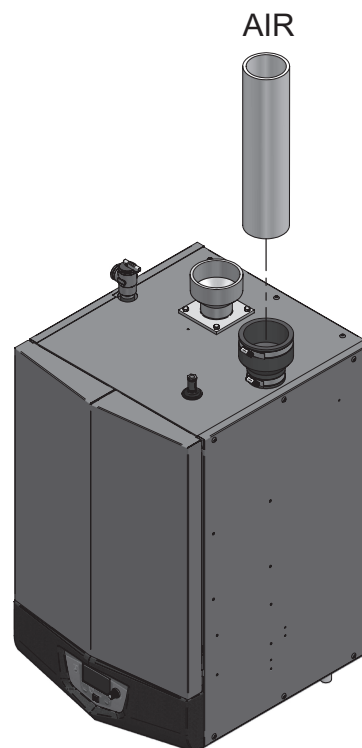
You may use any of the vent/air piping methods covered in this manual. Do not attempt to install the Armor wall mount water heater using any other means.

You must also install air piping from outside to the water heater air intake adapter unless following the Optional Room Air instructions on page 17 of this manual. The resultant installation is direct vent (sealed combustion).

#### Air intake/vent connections

1. **Combustion Air Intake Connector** (FIG. 3-6) - Used to provide combustion air directly to the unit from outdoors. A fitting is provided on the unit for final connection. Combustion air piping must be supported per guidelines listed in the National Mechanical Code, Section 305, Table 305.4 or as local codes dictate.
2. **Vent Connector** (FIG.'s 3-7 thru 3-10) - Used to provide a passageway for conveying combustion gases to the outside. A transition fitting is provided on the unit for final connection. Vent piping must be supported per the National Building Code, Section 305, Table 305.4 or as local codes dictate.

Figure 3-6 Near Water Heater Air Piping



### 3 General venting Requirements for installation in Canada

- Installations must be made with a vent pipe system certified to ULC-S636.  
IPEX is an approved vent manufacturer in Canada supplying vent material listed to ULC-S636.
- The first three (3) feet of plastic vent pipe from the appliance flue outlet must be readily accessible for visual inspection.
- The components of the certified vent system must not be interchanged with other vent systems or unlisted pipe/fittings. For concentric vent installations, the inner vent tube must be replaced with field supplied certified vent material to comply with this requirement.
- The 3 and 4" Concentric Vent Kit available from Lochinvar (see Section 4 – *Sidewall Termination – Optional Concentric Vent*) and the 3 and 4" Concentric Vent Kit available from IPEX are both approved for use on the Armor wall mount water heater. Both kits are listed to the ULC-S636 standard for use in Canada.

#### Sizing

The Armor wall mount water heater uses a 3 inch combustion air intake and vent pipe. The maximum length of each one is 100 feet.

**NOTICE**

Increasing or decreasing combustion air or vent piping sizes is not authorized.

#### Minimum / Maximum allowable combustion air and vent piping lengths are as follows:

**Combustion Air** = 12 equivalent feet minimum / 100 equivalent feet maximum

**Vent** = 12 equivalent feet minimum / 100 equivalent feet maximum

When determining equivalent combustion air and vent length, add 5 feet for each 90° elbow and 3 feet for each 45° elbow.

**EXAMPLE:** 20 feet of PVC pipe + (4) 90° elbows + (2) 45° elbows + (1) concentric vent kit (100140480) = 49 equivalent feet of piping.

**NOTICE**

The appliance output rating will reduce by up to 1.5% for each 25 feet of vent length.

**Table 3A Concentric Vent Kit Equivalent Vent Lengths**

Model	Kit Number	Equivalent Vent Length
125 - 201	100140480	3 feet

#### Air inlet pipe materials:

The air inlet pipe(s) must be sealed. Choose acceptable combustion air inlet pipe materials from the following list:

- PVC, CPVC, Polypropylene or ABS
- Dryer Vent or Sealed Flexible Duct (not recommended for rooftop air inlet)
- Galvanized steel vent pipe with joints and seams sealed as specified in this section.
- Type “B” double-wall vent with joints and seams sealed as specified in this section.
- AL29-4C, stainless steel material to be sealed to specification of its manufacturer.

\*Plastic pipe may require an adapter (not provided) to transition between the air inlet connection on the appliance and the plastic air inlet pipe.

**WARNING**

Using air intake materials other than those specified can result in personal injury, death or property damage.

**NOTICE**

The use of double-wall vent or insulated material for the combustion air inlet pipe is recommended in cold climates to prevent the condensation of airborne moisture in the incoming combustion air.

Sealing of Type “B” double-wall vent material or galvanized vent pipe material used for air inlet piping on a sidewall or vertical rooftop Combustion Air Supply System:

- Seal all joints and seams of the air inlet pipe using either Aluminum Foil Duct Tape meeting UL Standard 723 or 181A-P or a high quality UL Listed silicone sealant such as those manufactured by Dow Corning or General Electric.
- Do not install seams of vent pipe on the bottom of horizontal runs.
- Secure all joints with a minimum of three (3) sheet metal screws or pop rivets. Apply Aluminum Foil Duct Tape or silicone sealant to all screws or rivets installed in the vent pipe.
- Ensure that the air inlet pipes are properly supported.

The PVC, CPVC, or ABS air inlet pipe should be cleaned and sealed with the pipe manufacturer’s recommended solvents and standard commercial pipe cement for the material used. The PVC, CPVC, ABS, Dryer Vent or Flex Duct air inlet pipe should use a silicone sealant to ensure a proper seal at the appliance connection and the air inlet cap connection. Dryer vent or flex duct should use a screw type clamp to seal the vent to the appliance air inlet and the air inlet cap. Proper sealing of the air inlet pipe ensures that combustion air will be free of contaminants and supplied in proper volume.

Follow the polypropylene manufacturer’s instructions when using polypropylene material as an inlet pipe.

When a sidewall or vertical rooftop combustion air supply system is disconnected for any reason, the air inlet pipe must be resealed to ensure that combustion air will be free of contaminants and supplied in proper volume.

**DANGER**

Failure to properly seal all joints and seams as required in the air inlet piping may result in flue gas recirculation, spillage of flue products and carbon monoxide emissions causing severe personal injury or death.

## 3 General venting *(continued)*

### Supports

Vent system must be supported horizontally to prevent sagging. Methods and intervals for support vary by vent manufacturer and vent material. Vent support methods and intervals shall adhere to vent manufacturer's instructions, where applicable.

### Vent, air piping and termination:

The Armor wall mount water heater vent and air piping can be installed through the roof or through a sidewall. Follow the procedures in this manual for the method chosen. This unit requires Category IV venting. Refer to the information in this manual to determine acceptable vent and air piping length.

### Optional room air

#### NOTICE

Optional room air is intended for commercial applications. Combustion air piping to the outside is recommended for residential applications.

Commercial applications utilizing the Armor wall mount water heater may be installed with a single pipe carrying the flue products to the outside while using combustion air from the equipment room. In order to use the room air venting option the following conditions and considerations must be followed.

- The unit **MUST** be installed using Room Air [100157615](#).
- The equipment room **MUST** be provided with properly sized openings to assure adequate combustion air. Refer to the instructions provided with the room air kit.
- There will be a noticeable increase in the noise level during normal operation from the inlet air opening.
- Using the room air kit makes the unit vulnerable to combustion air contamination from within the building. Please review Section 1, Prevent Combustion Air Contamination, to ensure proper installation.
- Vent system and terminations must comply with the standard venting instructions set forth in this manual.

#### WARNING

When utilizing the single pipe method, provisions for combustion and ventilation air must be in accordance with Air for Combustion and Ventilation, of the latest edition of the National Fuel Gas Code, ANSI Z223.1, in Canada, the latest edition of CGA Standard B149 Installation Code for Gas Burning Appliances and Equipment, or applicable provisions of the local building codes.

### Air contamination

Pool and laundry products and common household and hobby products often contain fluorine or chlorine compounds. When these chemicals pass through the water heater, they can form strong acids. The acid can eat through the water heater wall, causing serious damage and presenting a possible threat of flue gas spillage or appliance water leakage into the building.

Please read the information given in Table 1A, page 10, listing contaminants and areas likely to contain them. If contaminating chemicals will be present near the location of the water heater combustion air inlet, have your installer pipe the water heater combustion air and vent to another location, per this manual.

#### WARNING

If the water heater combustion air inlet is located in a laundry room or pool facility, for example, these areas will always contain hazardous contaminants.

#### WARNING

To prevent the potential of severe personal injury or death, check for areas and products listed in Table 1A, page 10 before installing the water heater or air inlet piping.

If contaminants are found, you **MUST**:

- Remove contaminants permanently.  
—OR—
- Relocate air inlet and vent terminations to other areas.

### 3 General venting

#### PVC/CPVC

This product has been approved for use with the PVC/CPVC vent materials listed in Table 3B.

#### Installing vent and air piping

**WARNING** The vent connection to the appliance must be made with the starter CPVC pipe section provided with the appliance if PVC/CPVC vent is to be used. The field provided vent fittings must be cemented to the CPVC pipe section using an “All Purpose Cement” suitable for PVC and CPVC pipe. Use only the vent materials, primer, and cement specified in Table 3B to make the vent connections. Failure to follow this warning could result in fire, personal injury, or death.

**NOTICE** Use only cleaners, primers, and solvents that are approved for the materials which are joined together.

**NOTICE** All CPVC and PVC vent pipes must be glued, properly supported, and the exhaust must be pitched a minimum of 1/4" per foot back to the water heater (to allow drainage of condensate). Horizontal runs shall have supports suitable for non-metallic vent piping that do not clamp tightly onto vent allowing for vent expansions or contraction. Supports shall be as close to joints and fittings as practical and no more than 5 ft. apart.

**WARNING** Insulation shall not be used on PVC or CPVC venting materials. The use of insulation will cause increased vent wall temperatures, which could result in vent pipe failure.

**NOTICE** When available, follow all vent manufacturer's installation instructions.

1. Work from the water heater to vent or air termination. Do not exceed 100 feet in length.
2. Cut pipe to the required lengths and deburr the inside and outside of the pipe ends.
3. Chamfer outside of each pipe end to ensure even cement distribution when joining.
4. Clean all pipe ends and fittings using a clean dry rag. (Moisture will retard curing and dirt or grease will prevent adhesion.)
5. Dry fit vent or air piping to ensure proper fit up before assembling any joint. The pipe should go a third to two-thirds into the fitting to ensure proper sealing after cement is applied.
6. Priming and Cementing:
  - a. Handle fittings and pipes carefully to prevent contamination of surfaces.
  - b. Apply a liberal even coat of primer to the fitting socket and to the pipe end to approximately 1/2" beyond the socket depth.
  - c. Apply a second primer coat to the fitting socket.
  - d. While primer is still wet, apply an even coat of approved cement to the pipe equal to the depth of the fitting socket along with an even coat of approved cement to the fitting socket.
  - e. Apply a second coat of cement to the pipe.
  - f. While the cement is still wet, insert the pipe into the fitting, if possible twist the pipe a 1/4 turn as you insert it. **NOTE:** If voids are present, sufficient cement was not applied and joint could be defective.
  - g. Wipe excess cement from the joint removing ring or beads as it will needlessly soften the pipe.

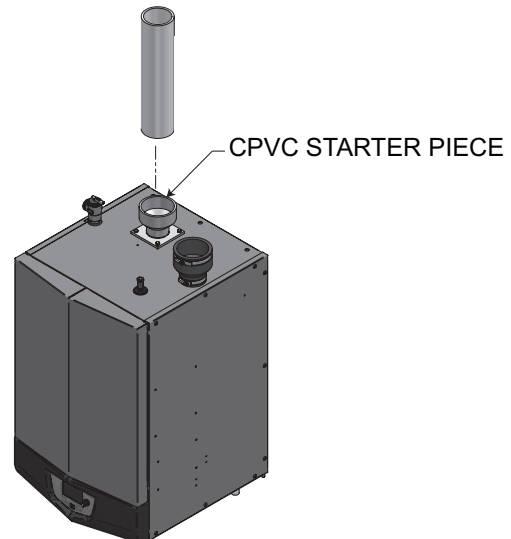
**Table 3B PVC/CPVC Vent Pipe and Fittings**

Approved PVC/CPVC Vent Pipe and Fittings		
Item	Material	Standard
Vent pipe	PVC Schedule 40, 80	ANSI/ASTM D1785
	PVC - DWV	ANSI/ASTM D2665
	CPVC Schedule 40, 80	ANSI/ASTM F441
Vent fittings	PVC Schedule 40	ANSI/ASTM D2466
	PVC Schedule 80	ANSI/ASTM D2467
	CPVC Schedule 80	ANSI/ASTM F439
	PVC - DWV	ANSI/ASTM D2665
Pipe Cement / Primer	PVC	ANSI/ASTM D2564
	CPVC	ANSI/ASTM F493

**NOTICE: DO NOT USE CELLULAR (FOAM) CORE PIPE**

**NOTE:** In Canada, CPVC and PVC vent pipe, fittings and cement/primer must be ULC-S636 certified.

**Figure 3-7 Near Water Heater PVC/CPVC Venting**



### 3 General venting *(continued)*

#### Polypropylene

This product has been approved for use with polypropylene vent with the manufacturers listed in Table 3C.

All terminations must comply with listed options in this manual and be a single-wall vent offering.

For support and special connections required, see the manufacturer's instructions. All vent is to conform to standard diameter and equivalent length requirements established.

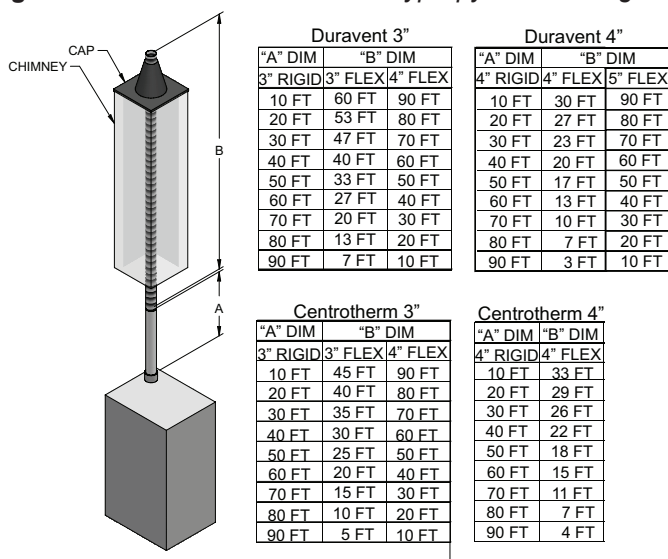
When determining equivalent combustion air and vent length for polypropylene single-wall piping:

- 1 foot of Duravent 4 inch single-wall pipe is equivalent to 1.6 feet of piping

#### Flexible polypropylene

For use of flex pipe, it is recommended to have the vent material in 32°F or higher ambient space before bending at installation. No bends should be made to greater than 45° and ONLY installed in vertical or near vertical installations (FIG. 3-8).

**Figure 3-8 Near Boiler Flexible Polypropylene Venting**



- \*NOTES: 1) FLEX PIPE MAY ONLY BE RUN IN A VERTICAL ORIENTATION  
 2) ALL VENT LENGTHS REPRESENTED IN ABOVE CHARTS ARE EQUIVALENT LENGTHS.  
 3) SECTION A IS EQUIVALENT FEET OF RIGID PIPE, WHICH MAY INCLUDE 45 AND 90° ELBOWS. PLEASE SEE SIZING SECTION FOR DETERMINING EQUIVALENT FEET.

IMG00840

**Table 3C Polypropylene Vent Pipe and Fittings**

Approved Polypropylene Vent Manufacturers		
Make	Model	Standard
Centrotherm Eco Systems	InnoFlue SW/Flex	UL-1738/ULC-S636
Duravent (M & G Group)	PolyPro Single-Wall / PolyPro Flex	ULC-S636

**Table 3D Approved Polypropylene Terminations**

Model	Centrotherm InnoFlue SW					Duravent Polypro		
	Polypropylene Adapter	Joint Connector	Sidewall Kit*	Sidewall Retaining Bracket*	Sidewall Adapter*	Polypropylene Adapter	Joint Connector	Sidewall Kit*
125 - 201	ISAG0303 w/ IAFC03	IANS03	ISLPT0303	IATP0303	ISTAGL0303	3PPS-AD w/ PPS-PAC	3PPS-LB	3PPS-HLK

\* These parts are only needed if the sidewall termination assembly is used (see FIG. 4-5B on page 24).

**NOTICE**

The installer must use a specific vent starter adapter at the flue collar connection. This adapter is supplied by the vent manufacturer to adapt to its vent system. See Table 3D for approved vent adapters.

**NOTICE**

All vent connections MUST be secured by the vent manufacturer's joint connector (FIG. 3-9).

**WARNING**

Insulation should not be used on polypropylene venting materials. The use of insulation will cause increased vent wall temperatures, which could result in vent pipe failure.

**WARNING**

Use only the adapters and vent system listed in Tables 3C and 3D. DO NOT mix vent systems of different types or manufacturers. Failure to comply could result in severe personal injury, death, or substantial property damage.

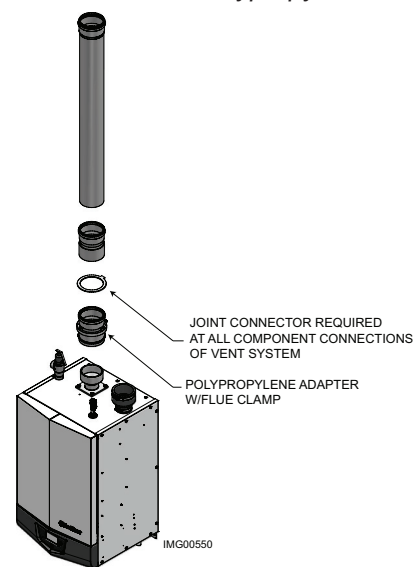
**NOTICE**

Installations must comply with applicable national, state, and local codes. For Canadian installation, polypropylene vent must be listed as a ULC-S636 approved system.

**NOTICE**

Installation of a polypropylene vent system should adhere to the vent manufacturer's installation instructions supplied with the vent system.

**Figure 3-9 Near Water Heater Polypropylene Venting**



### 3 General venting

#### Stainless steel vent

This product has been approved for use with stainless steel using the manufacturers listed in Table 3E.

**WARNING** Use only the materials, vent systems, and terminations listed in Tables 3E and 3F. DO NOT mix vent systems of different types or manufacturers. Failure to comply could result in severe personal injury, death, or substantial property damage.

**NOTICE** The installer must use a specific vent starter adapter at the flue collar connection, supplied by the vent manufacturer to adapt to its vent system. See Table 3F for approved vent adapters.

**NOTICE** Installations must comply with applicable national, state, and local codes. Stainless steel vent systems must be listed as a UL-1738 approved system for the United States and a ULC-S636 approved system for Canada.

**NOTICE** Installation of a stainless steel vent system should adhere to the stainless steel vent manufacturer's installation instructions supplied with the vent system.

Figure 3-10 Near Water Heater Stainless Steel Venting

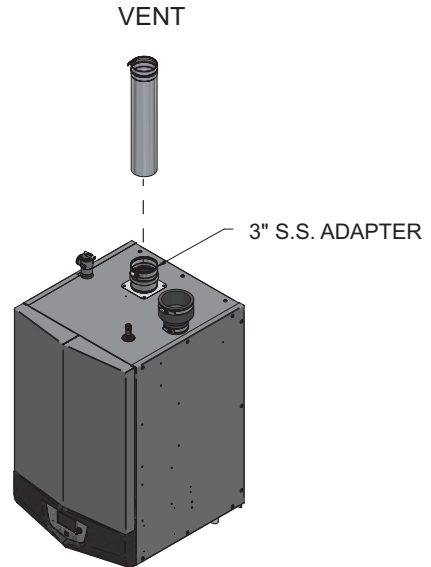


Table 3E Stainless Steel Vent Pipe and Fittings

Approved Stainless Steel Vent Manufacturers		
Make	Model	Standard
Dura Vent (M & G Group)	FasNSeal Vent	UL-1738/ULC-S636
Dura Vent (M & G Group)	FasNSeal Flex* Vent	UL-1738/UL-1777/ULC-S636
Z-Flex (Nova Flex Group)	Z-Vent	UL-1738/ULC-S636
Heat Fab (Selkirk Corporation)	Saf-T Vent	UL-1738/ULC-S636/UL-641/ ULC-S609

\*Use of FasNSeal Flex smooth inner wall vent is to be used in vertical or near vertical sections only, taking precaution to ensure no sagging occurs of the vent system. Connect to the FasNSeal rigid vent using specially designed adapters and sealing method, see manufacturer's instructions.

Table 3F Approved Stainless Steel (S.S.) Terminations and Adapters

Model	ProTech			Heat Fab			Z Flex		
	FasNSeal			Saf-T Vent			Z-Vent		
	S.S. Adapter	Flue Termination	Intake Air Termination	S.S. Adapter	Flue Termination	Intake Air Termination	S.S. Adapter	Flue Termination	Intake Air Termination
125 - 201	300716 (Vent) 300715 (Intake Air)	FSBS3 FSRC3(R.C)	303889	WB50210 (Vent) 9301PVC (Intake Air)	9392 5300CI	9314TERM	2SVSLPVC3 (Vent) 2SVSLA03 (Intake Air)	2SVSTP03 2SVSRCX03	2SVSTEX0390

## 4 Sidewall direct venting

### Vent/air termination – sidewall

**WARNING** Follow instructions below when determining vent location to avoid possibility of severe personal injury, death, or substantial property damage.

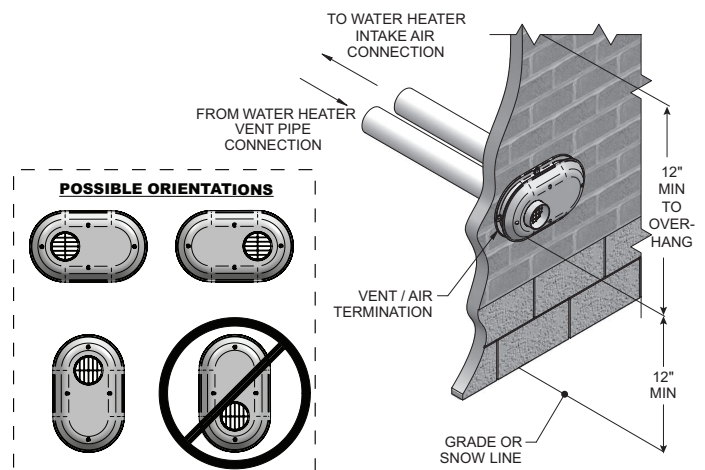
**WARNING** A gas vent extending through an exterior wall shall not terminate adjacent to a wall or below building extensions such as eaves, parapets, balconies, or decks. Failure to comply could result in severe personal injury, death, or substantial property damage.

#### Determine location

Locate the vent/air terminations using the following guidelines:

1. The total length of piping for vent or air must not exceed the limits given in the General Venting Section on page 16 of this manual.
  2. You must consider the surroundings when terminating the vent and air:
    - a. Position the vent termination where vapors will not damage nearby shrubs, plants or air conditioning equipment or be objectionable.
    - b. The flue products will form a noticeable plume as they condense in cold air. Avoid areas where the plume could obstruct window views.
    - c. Prevailing winds could cause freezing of condensate and water/ice buildup where flue products impinge on building surfaces or plants.
    - d. Avoid possibility of accidental contact of flue products with people or pets.
    - e. Do not locate the terminations where wind eddies could affect performance or cause recirculation, such as inside building corners, near adjacent buildings or surfaces, window wells, stairwells, alcoves, courtyards, or other recessed areas.
- WARNING** Sidewall vent and air inlet terminations must terminate in the same pressure zone.
- f. Do not terminate above any door or window. Condensate can freeze, causing ice formations.
  - g. Locate or guard vent to prevent condensate damage to exterior finishes.
  - h. Do not locate the terminations over public walkways.
  - i. Do not locate the terminations near soffit vents, crawl space vents, or other areas where condensate or vapor could create a nuisance, hazard, or cause property damage.
  - j. Do not locate the terminations where condensate vapor could cause damage or could be detrimental to the operation of regulators, relief valves, or other equipment.
  - k. Terminations must be located a minimum of 12" above grade or maximum snow line.

**Figure 4-1A** PVC/CPVC/Polypropylene Sidewall Termination of Air and Vent



**Table 4A** Sidewall Vent Kits

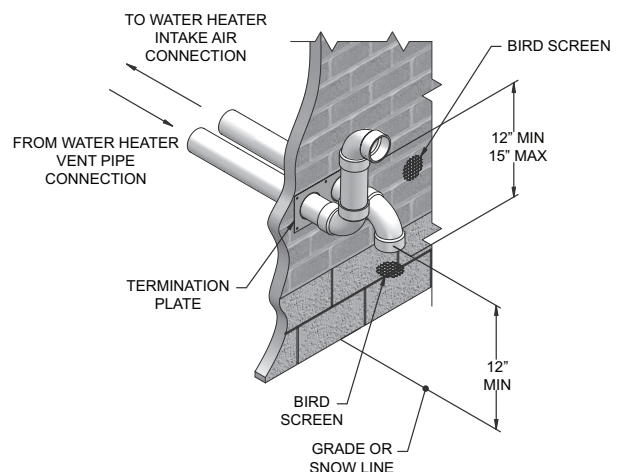
Model	Kit Number	Vent Size
125 - 201	100157610	3 inch vent

#### If using the alternate sidewall termination:

3. The air piping must terminate in a down-turned elbow as shown in FIG. 4-1B. This arrangement avoids recirculation of flue products into the combustion air stream.
4. The vent piping must terminate in an elbow pointed outward or away from the air inlet, as shown in FIG. 4-1B.

**WARNING** Do not exceed the maximum lengths of the outside vent piping shown in FIG. 4-1B. Excessive length exposed to the outside could cause freezing of condensate in the vent pipe, resulting in potential water heater shutdown.

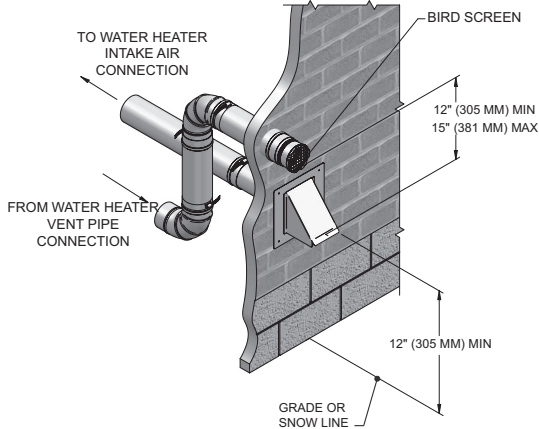
**Figure 4-1B** Alternate PVC/CPVC Sidewall Termination of Air and Vent w/Field Supplied Fittings



# 4 Sidewall direct venting

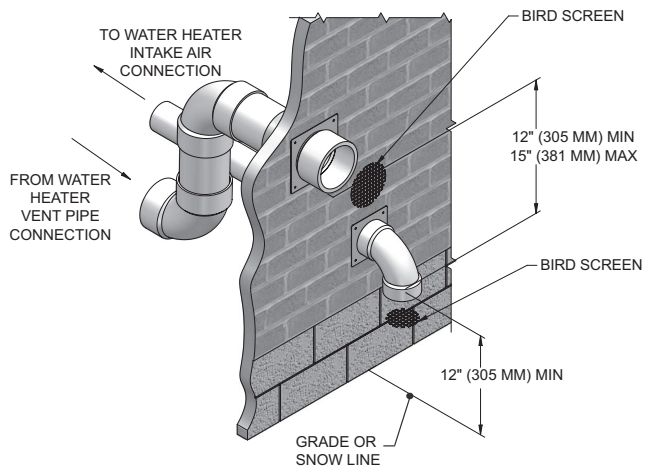
## Vent/air termination – sidewall

**Figure 4-1C** Alternate PVC/CPVC/SS Vent Termination - Typical Stainless Steel Sidewall Termination of Air and Vent w/Field Supplied Fittings



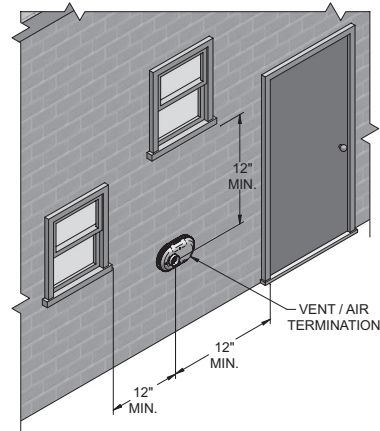
**NOTICE** PVC/CPVC or ABS is acceptable air inlet pipe material.

**Figure 4-2** Alternate PVC/CPVC/SS/ Polypropylene Sidewall Termination w/Field Supplied Fittings

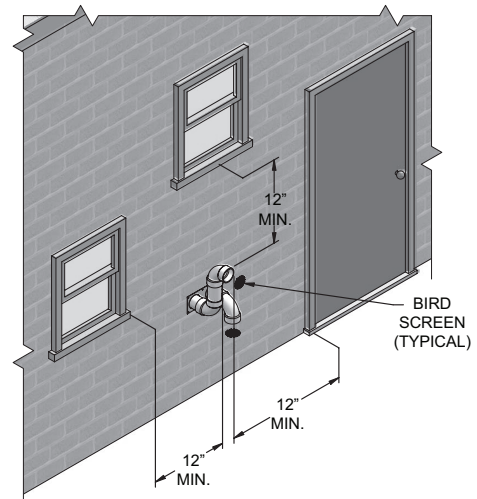


5. Maintain clearances as shown in FIG.'s 4-1A thru 4-4B, pages 21 thru 25. Also maintain the following:
  - a. Vent must terminate:
    - At least 6 feet from adjacent walls.
    - No closer than 12 inches below roof overhang.
  - b. Air inlet must terminate at least 12 inches above grade or snow line; at least 12 inches below the vent termination; and the vent pipe must not extend more than 24 inches vertically outside the building as shown in FIG. 4-1B.
  - c. Do not terminate closer than 4 feet horizontally from any electric meter, gas meter, regulator, relief valve, or other equipment. Never terminate above or below any of these within 4 feet horizontally.
6. Locate terminations so they are not likely to be damaged by foreign objects, such as stones or balls, or subject to buildup of leaves or sediment.

**Figure 4-3A** Clearance to Gravity Air Inlets



**Figure 4-3B** Alternate Clearance to Gravity Air Inlets w/ Field Supplied Fittings



# 4 Sidewall direct venting *(continued)*

Figure 4-4A Direct Vent Terminal Clearances

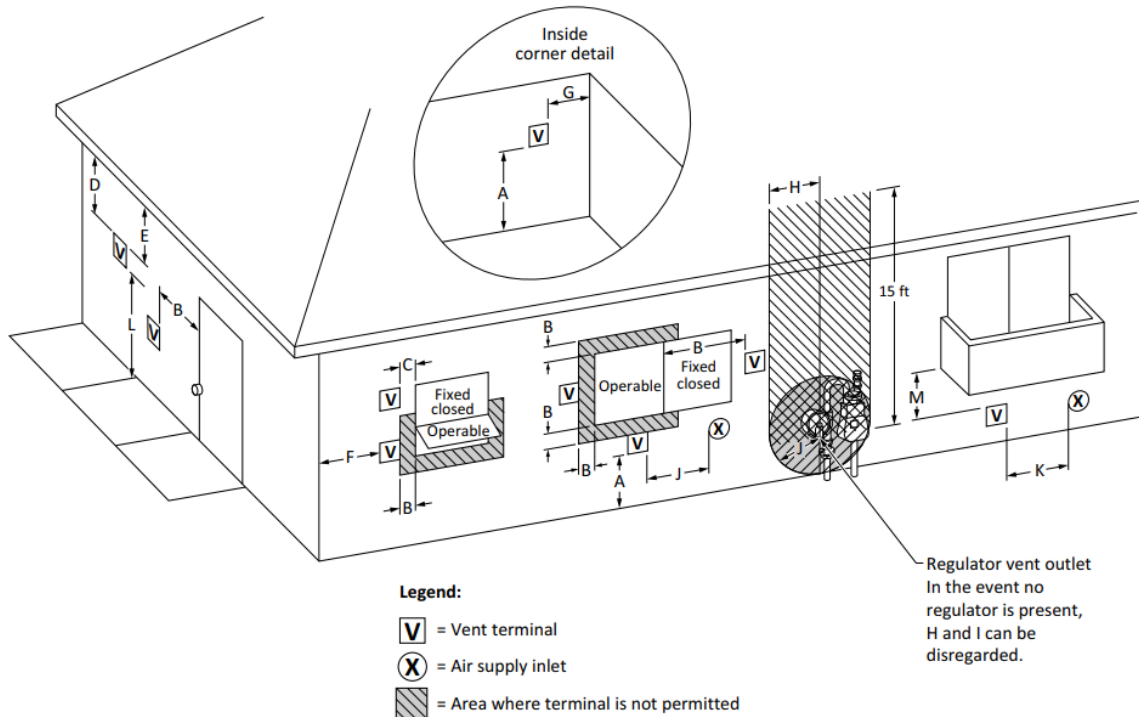


Table 4B Direct Vent Terminal Clearances

		Canadian Installations <sup>1</sup>	US Installations <sup>2</sup>
A =	Clearance above grade, veranda, porch, deck, or balcony	12 in (30 cm)	12 in (30 cm)
B =	Clearance to window or door that may be opened	6 in (15 cm) for appliances ≤ 10,000 Btuh (3 kW), 12 in (30 cm) for appliances > 10,000 Btuh (3 kW) and ≤ 100,000 Btuh (30 kW), 36 in (91 cm) for appliances > 100,000 Btuh (30 kW)	6 in (15 cm) for appliances ≤ 10,000 Btuh (3 kW), 9 in (23 cm) for appliances > 10,000 Btuh (3 kW) and ≤ 50,000 Btuh (15 kW), 12 in (30 cm) for appliances > 50,000 Btuh (15 kW)
C =	Clearance to permanently closed window	*	*
D =	Vertical clearance to ventilated soffit located above the terminal within a horizontal distance of 2 ft (61 cm) from the center line of the terminal.	*	*
E =	Clearance to unventilated soffit	*	*
F =	Clearance to outside corner	*	*
G =	Clearance to inside corner	*	*
H =	Clearance to each side of center line extended above meter / regulator assembly	3 ft (91 cm) within a height 15 ft (4.6 m)	*
I =	Clearance to service regulator vent outlet	3 ft (91 cm)	*

# 4 Sidewall direct venting

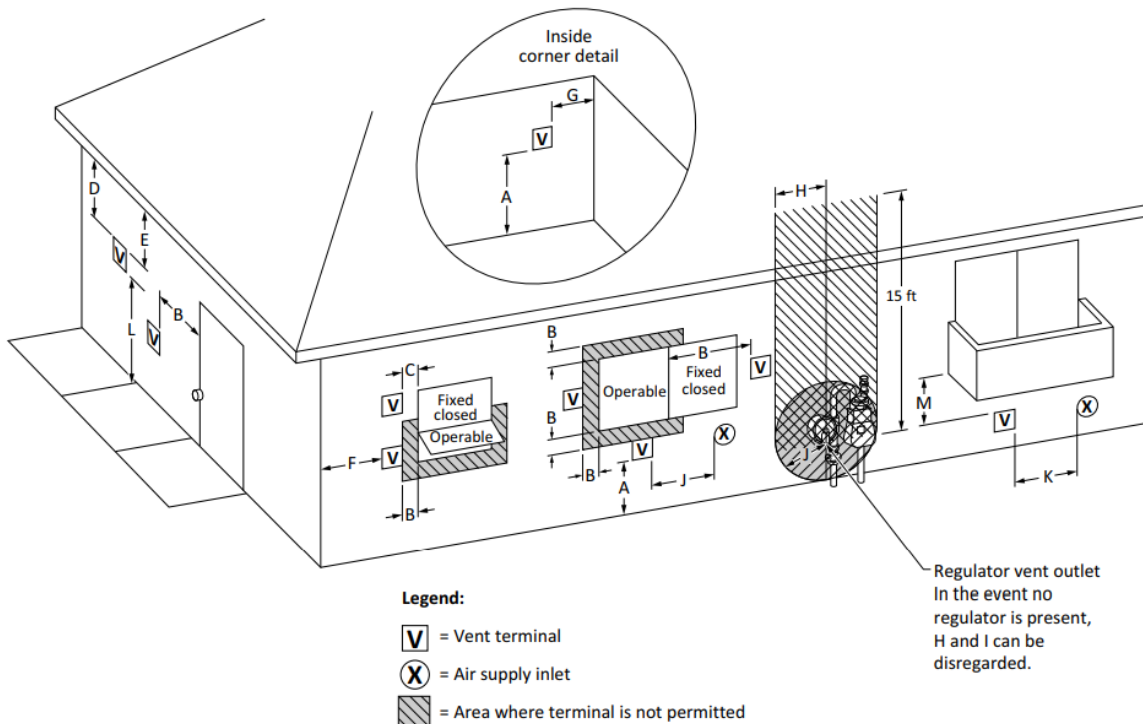
Table 4B Direct Vent Terminal Clearances (continued)

J =	Clearance to nonmechanical air supply inlet to building or the combustion air inlet to any other appliance	6 in (15 cm) for appliances ≤ 10,000 Btuh (3kW), 12 in (30 cm) for appliances > 10,000 Btuh (3 kW) and ≤ 100,000 Btuh (30 kW), 36 in (91 cm) for appliances > 100,000 Btuh (30 kW)	6 in (15 cm) for appliances ≤ 10,000 Btuh (3kW), 9 in (23 cm) for appliances > 10,000 Btuh (3 kW) and ≤ 50,000 Btuh (15 kW), 12 in (30 cm) for appliances > 50,000 Btuh (15 kW)
K =	Clearance to a mechanical air supply inlet	6 ft (1.83 m)	3 ft (91 cm) above if within 10 ft (3 m) horizontally
L =	Clearance above paved sidewalk or paved driveway located on public property	7 ft (2.13 m)†	7 ft (2.13 m) for mechanical draft systems (Category I appliances). Vents for Category II and IV appliances cannot be located above public walkways or other areas where condensate or vapor can cause a nuisance or hazard
M =	Clearance under veranda, porch, deck, or balcony	12 in (30 cm)‡	*

\* Clearance in accordance with local installation codes and the requirements of the gas supplier.  
 † A vent shall not terminate directly above a sidewalk or paved driveway that is located between two single family dwellings and serves both dwellings.  
 ‡ Permitted only if veranda, porch, deck, or balcony is fully open on a minimum of two sides beneath the floor.

**NOTES:**  
 1) In accordance with the current CSA B149.1, Natural Gas and Propane Installation Code  
 2) In accordance with the current ANSI Z223.1/NFPA 54, National Fuel Gas Code

Figure 4-4B Other than Direct Vent Terminal Clearances



## 4 Sidewall direct venting *(continued)*

**Table 4C Other than Direct Vent Terminal Clearances**

		Canadian Installations <sup>1</sup>	US Installations <sup>2</sup>
A =	Clearance above grade, veranda, porch, deck, or balcony	12 in (30 cm)	12 in (30 cm)
B =	Clearance to window or door that may be opened	6 in (15 cm) for appliances ≤ 10,000 Btuh (3 kW), 12 in (30 cm) for appliances > 10,000 Btuh (3 kW) and ≤ 100,000 Btuh (30 kW), 36 in (91 cm) for appliances > 100,000 Btuh (30 kW)	4 ft (1.2 m) below or to side of opening; 1 ft (300 mm) above opening
C =	Clearance to permanently closed window	*	*
D =	Vertical clearance to ventilated soffit located above the terminal within a horizontal distance of 2 ft (61 cm) from the center line of the terminal.	*	*
E =	Clearance to unventilated soffit	*	*
F =	Clearance to outside corner	*	*
G =	Clearance to inside corner	*	*
H =	Clearance to each side of center line extended above meter / regulator assembly	3 ft (91 cm) within a height 15 ft (4.6 m)	*
I =	Clearance to service regulator vent outlet	3 ft (91 cm)	*
J =	Clearance to nonmechanical air supply inlet to building or the combustion air inlet to any other appliance	6 in (15 cm) for appliances ≤ 10,000 Btuh (3kW), 12 in (30 cm) for appliances > 10,000 Btuh (3 kW) and ≤ 100,000 Btuh (30 kW), 36 in (91 cm) for appliances > 100,000 Btuh (30 kW)	4 ft (1.2 m) below or to side of opening; 1 ft (300 mm) above opening
K =	Clearance to a mechanical air supply inlet	6 ft (1.83 m)	3 ft (91 cm) above if within 10 ft (3 m) horizontally
L =	Clearance above paved sidewalk or paved driveway located on public property	7 ft (2.13 m)†	7 ft (2.13 m) for mechanical draft systems (Category I appliances). Vents for Category II and IV appliances cannot be located above public walkways or other areas where condensate or vapor can cause a nuisance or hazard
M =	Clearance under veranda, porch, deck, or balcony	12 in (30 cm)‡	*

\* Clearance in accordance with local installation codes and the requirements of the gas supplier.

† A vent shall not terminate directly above a sidewalk or paved driveway that is located between two single family dwellings and serves both dwellings.

‡ Permitted only if veranda, porch, deck, or balcony is fully open on a minimum of two sides beneath the floor.

**NOTES:**

- 1) In accordance with the current CSA B149.1, Natural Gas and Propane Installation Code
- 2) In accordance with the current ANSI Z223.1/NFPA 54, National Fuel Gas Code

## 4 Sidewall direct venting

### Prepare wall penetrations

1. Use the factory supplied wall plate as a template to locate the vent and air intake holes and mounting holes.

Air pipe penetration:

- a. Cut a hole for the air pipe. Size the air pipe hole as close as desired to the air pipe outside diameter.

Vent pipe penetration:

- a. Cut a hole for the vent pipe. For either combustible or noncombustible construction, size the vent pipe hole with at least a 1/2 inch clearance around the vent pipe outer diameter:
  - 4½ inch hole for 3 inch vent pipe

Drill 3/16" diameter holes for inserting the plastic anchors into the wall.

2. For Polypropylene Only: Install the vent and air intake sidewall adapters from Table 3D on page 19 into the vent plate. Slide the sidewall retaining bracket down the sidewall adapters flush to the vent plate.
3. For PVC/CPVC Only: Install the vent and air intake piping through the wall into the vent plate openings. Use RTV silicone sealant to seal the air pipe. Use the cement/primer listed in Table 3B on page 18 to seal the vent pipe.
4. Mount and secure the vent plate to the wall using stainless steel screws. Seal around the plate to the wall assuring no air gaps.
5. Seal all gaps between the pipes and wall. Seal around the plate to the wall assuring no air gaps.
6. Assemble the vent cap to the vent plate (see FIG. 4-5A). Insert the stainless steel screws into the vent cap screw hole openings and securely attach the vent cap to the vent plate.
7. Seal all wall cavities.
8. PVC/CPVC terminations are designed to accommodate any wall thickness of standard constructions per the directions found in this manual.
9. Stainless steel terminations are designed to penetrate walls with a thickness up to 9.25 inches of standard construction.

Figure 4-5A Sidewall Termination Assembly

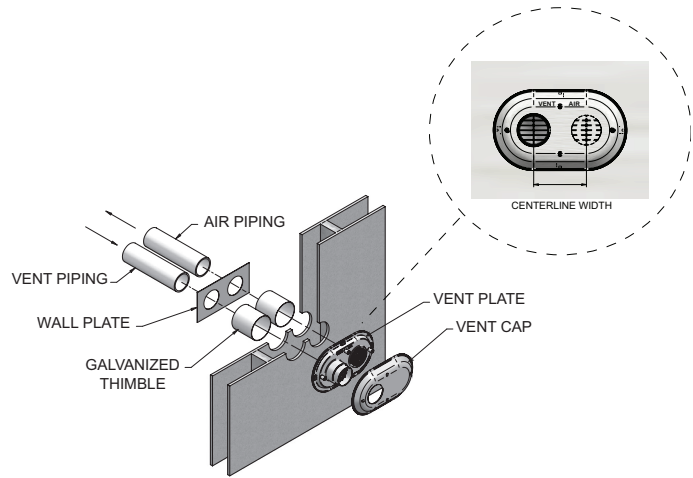
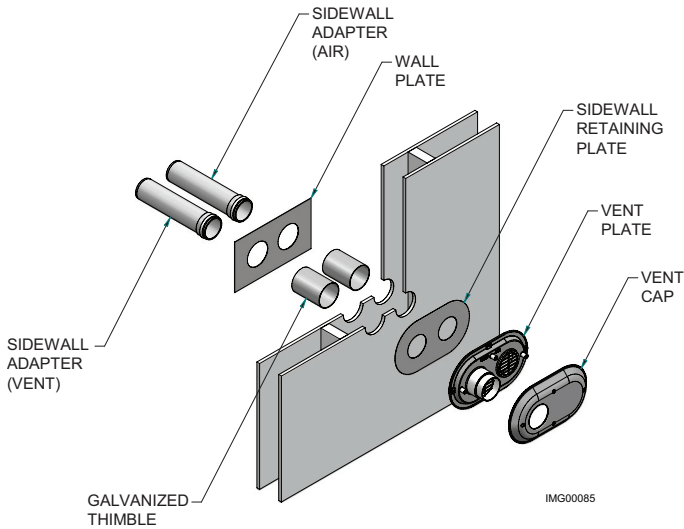


Table 4D Sidewall Vent Centerline Dimensions

Model	Air	Vent	Centerline Width
125 - 201	3"	3"	5 5/8"

# 4 Sidewall direct venting *(continued)*

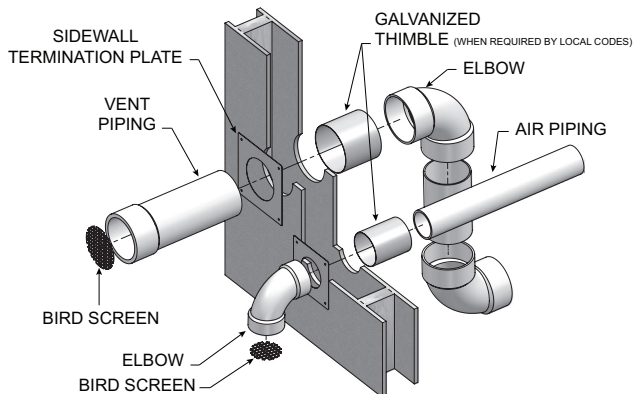
**Figure 4-5B Polypropylene Sidewall Termination Assembly**



## Prepare wall penetrations (Alternate - Field Supplied Option)

1. Air pipe penetration:
  - a. Cut a hole for the air pipe. Size the air pipe hole as close as desired to the air pipe outside diameter.
2. Vent pipe penetration:
  - a. Cut a hole for the vent pipe. For either combustible or noncombustible construction, size the vent pipe hole with at least a 1/2 inch clearance around the vent pipe outer diameter:
    - 4½ inch hole for 3 inch vent pipe
  - b. Insert a galvanized metal thimble in the vent pipe hole as shown in FIG. 4-5C.
3. Use a sidewall termination plate as a template for correct location of hole centers.
4. Follow all local codes for isolation of vent pipe when passing through floors or walls.
5. Seal exterior openings thoroughly with exterior caulk.

**Figure 4-5C A Typical Sidewall Termination Assembly - PVC/CPVC or Stainless Steel**



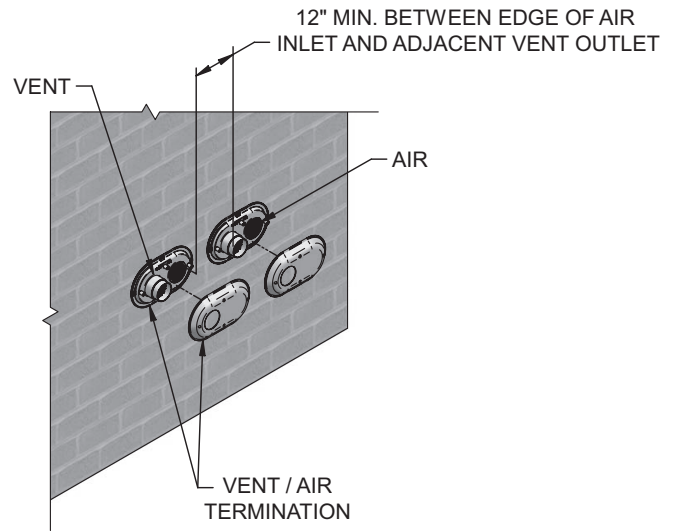
## Multiple vent/air terminations

1. When terminating multiple Armor wall mount water heaters terminate each vent/air connection as described in this manual (FIG. 4-6A).

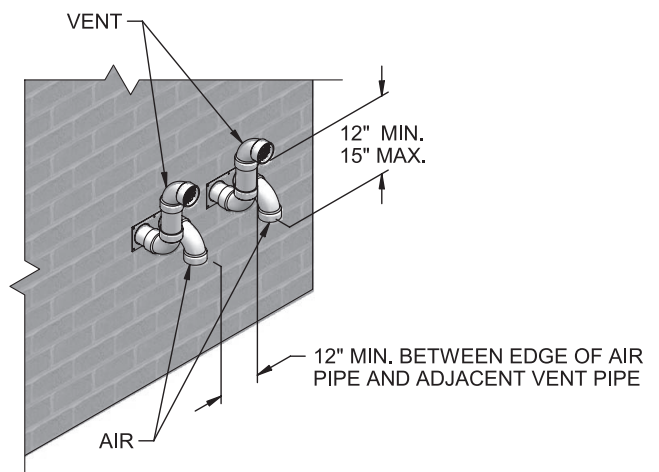
**WARNING** All vent pipes and air inlets must terminate at the same height to avoid possibility of severe personal injury, death, or substantial property damage.

2. Place wall penetrations to obtain minimum clearance of 12 inches between edge of air inlet and adjacent vent outlet, as shown in FIG. 4-6A for U.S. installations. For Canadian installations, provide clearances required by CSA B149.1 Installation Code.
3. The air inlet of a Armor wall mount water heater is part of a direct vent connection. It is not classified as a forced air intake with regard to spacing from adjacent water heater vents.

**Figure 4-6A Multiple Vent Terminations (must also comply with Figure 4-1A)**



**Figure 4-6B Alternate Multiple Vent Terminations w/Field Supplied Fittings (must also comply with Figure 4-1B)**



# 4 Sidewall direct venting

## Sidewall termination – optional concentric vent

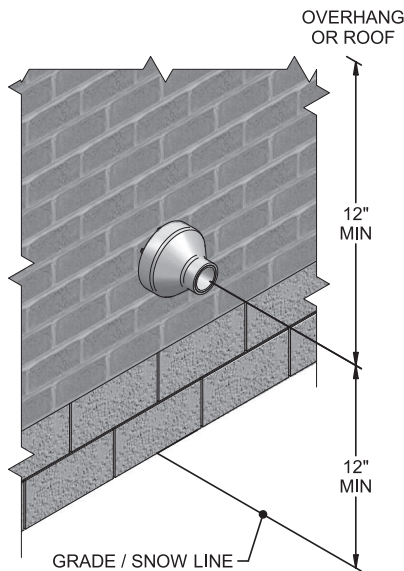
### Description and usage

Lochinvar offers an optional concentric combustion air and vent pipe termination kit (100140480). Both combustion air and vent pipes must attach to the termination kit. The termination kit must terminate outside the structure and must be installed as shown below in FIG. 4-7.

The required combustion vent pipe materials are listed in Table 3B, on page 18 of this manual.

4. Cut one (1) hole (5 inch diameter) into the structure to install the termination kit.
5. Partially assemble the concentric vent termination kit.
  - a. Cement the Y concentric fitting to the larger kit pipe (FIG. 4-8).
  - b. Cement the rain cap to the smaller diameter kit pipe (FIG. 4-8).

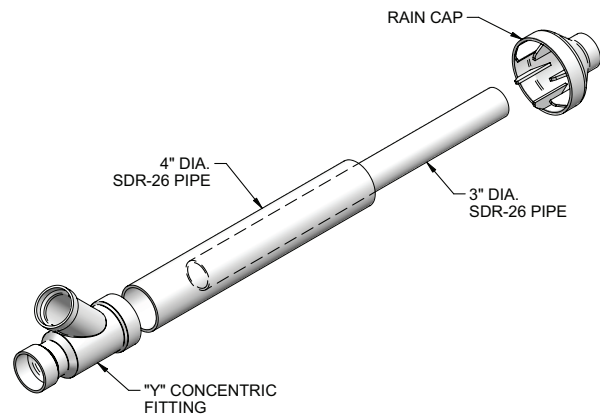
**Figure 4-7 Concentric Sidewall Termination**



### Sidewall termination installation

1. Determine the best location for the termination kit (see FIG. 4-7).
2. Reference the *Determine Location Section* on page 21 of this manual for general termination considerations.

**Figure 4-8 Kit Contents\_100140480**



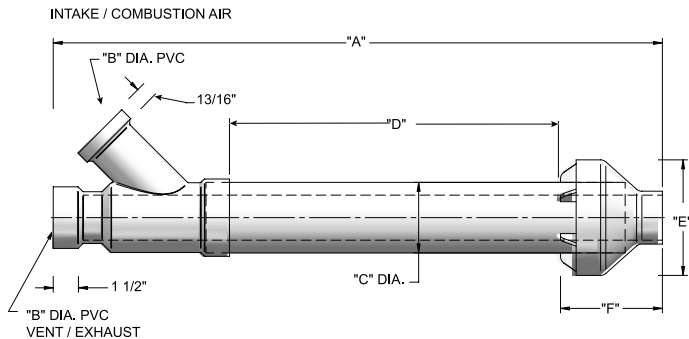
**Table 4E Alternate Centrotherm Concentric Vent Terminations**

Roof Terminations	
Size	Part No.
3"	ICRT3539
Wall Terminations	
Size	Part No.
3"	ICWT352

## 4 Sidewall direct venting *(continued)*

### Sidewall termination – optional concentric vent

Figure 4-9 Concentric Vent Dimensional Drawing



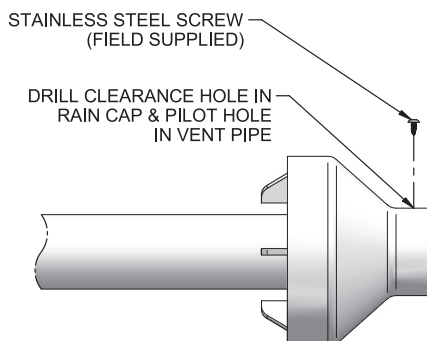
A	B	C	D	E	F
38 7/8"	3"	4 1/2"	21 1/8"	7 3/8"	6 1/2"

**NOTICE** Instead of cementing the smaller pipe to the rain cap, a field-supplied stainless steel screw may be used to secure the two (2) components together when field disassembly is desired for cleaning (see FIG. 4-10).

**WARNING** When using the alternate screw assembly method, drill a clearance hole in the rain cap and a pilot hole in the vent pipe for the screw size being used. Failure to drill adequate holes may cause cracking of PVC components, allowing combustion products to be recirculated. Failure to follow this warning could result in personal injury or death.

**WARNING** Do not operate the appliance with the rain cap removed or recirculation of combustion products may occur. Water may also collect inside the larger combustion air pipe and flow to the burner enclosure. Failure to follow this warning could result in product damage or improper operation, personal injury, or death.

Figure 4-10 Rain Cap to Vent Pipe Alternate Assembly



6. Install the Y concentric fitting and pipe assembly through the structure's hole.

**NOTICE** Do not allow insulation or other materials to accumulate inside the pipe assembly when installing through the hole.

7. Install the rain cap and small diameter pipe assembly into the Y concentric fitting and large pipe assembly. Ensure small diameter pipe is bottomed and cemented in the Y concentric fitting.

8. Secure the assembly to the structure as shown in FIG. 4-11 using field-supplied metal strapping or equivalent support material.

**NOTICE** Ensure termination location clearance dimensions are as shown in FIG. 4-7.

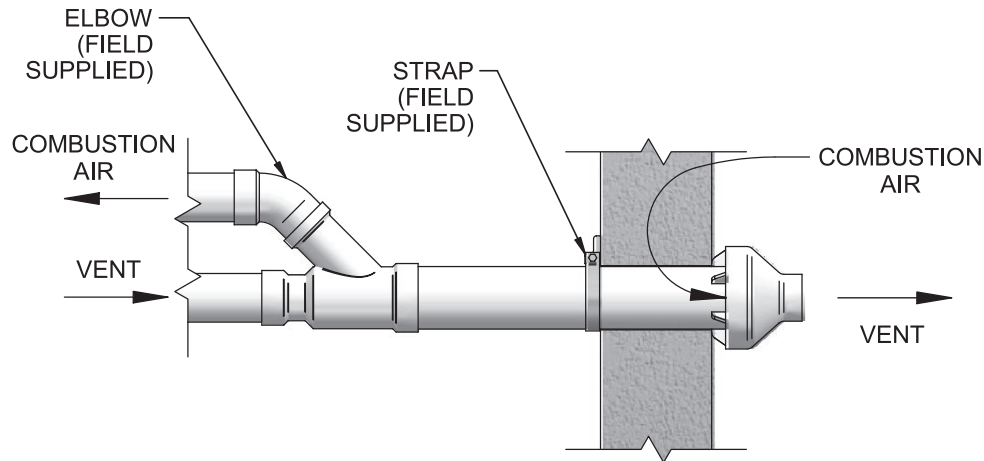
**NOTICE** If assembly needs to be extended to allow sidewall thickness requirement, the two (2) pipes supplied in the kit may be replaced by using the same diameter, field-supplied SDR-26 PVC (D2241) pipe. Do not extend dimension D\* more than 60 inches (see FIG. 4-9).

**NOTICE** If assembly depth needs to be reduced, dimension D can be as short as possible.

## 4 Sidewall direct venting

### Sidewall termination – optional concentric vent

Figure 4-11 Concentric Vent Sidewall Attachment



**CAUTION**

DO NOT use field-supplied couplings to extend pipes. Airflow restriction will occur and may cause intermittent operation.

9. Cement appliance combustion air and vent pipes to the concentric vent termination assembly. See FIG. 4-11 for proper pipe attachment.
10. Operate the appliance one (1) heat cycle to ensure combustion air and vent pipes are properly connected to the concentric vent termination connections.

#### Multiventing sidewall terminations

When two (2) or more direct vent appliances are vented near each other, each appliance must be individually vented (see FIG. 4-12). NEVER common vent or breach vent this appliance. When two (2) or more direct vent appliances are vented near each other, two (2) vent terminations may be installed as shown in FIG. 4-12. It is important that vent terminations be made as shown to avoid recirculation of flue gases.

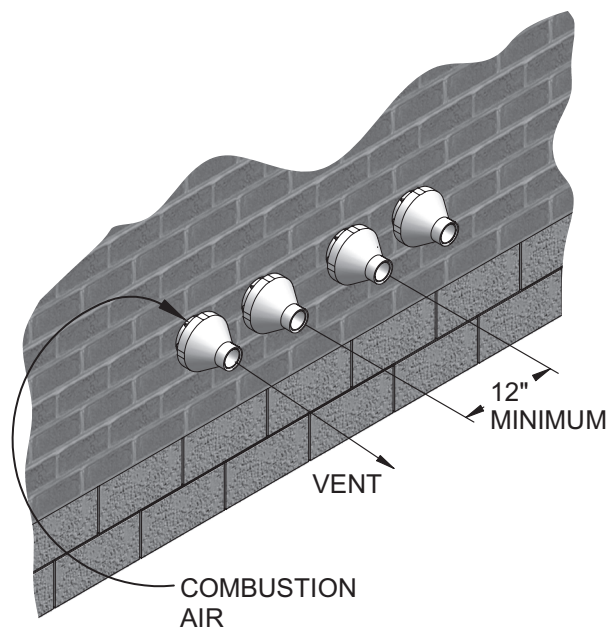


Figure 4-12 Concentric Vent and Combustion Air Termination

# 5 Vertical direct venting

## Vent/air termination – vertical

**WARNING** Follow instructions below when determining vent location to avoid possibility of severe personal injury, death or substantial property damage.

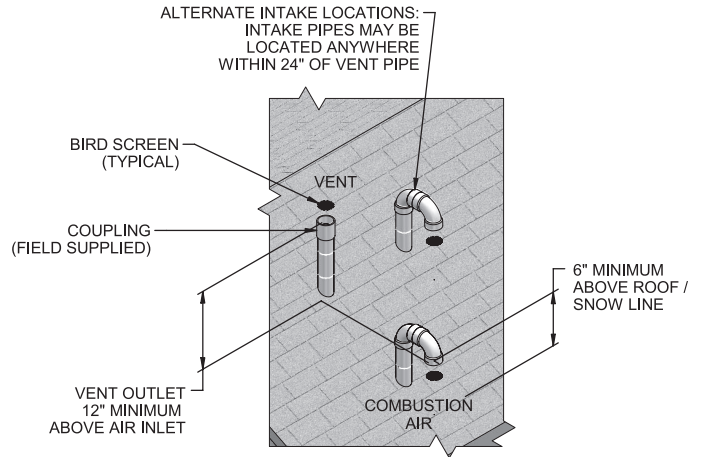
### Determine location

Locate the vent/air terminations using the following guidelines:

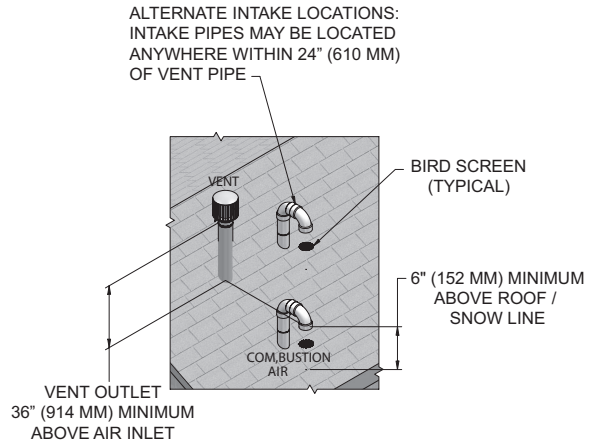
1. The total length of piping for vent or air must not exceed the limits given in the General Venting Section on page 16 of this manual.
2. Prepare the vent termination and the air termination elbow (FIG. 5-1A) by inserting bird screens. Bird screens should be obtained locally.
3. The vent must terminate at least 3 feet above the highest place in which the vent penetrates the roof and at least 2 feet above any part of a building within 10 horizontal feet.
4. The air piping must terminate in a down-turned 180° return pipe no further than 2 feet from the center of the vent pipe. This placement avoids recirculation of flue products into the combustion air stream.
5. The vent piping must terminate in an up-turned coupling as shown in FIG. 5-1A. The top of the coupling must be at least 1 foot above the air intake. When the vent termination uses a rain cap as illustrated in FIG. 5-1B maintain at least 36" (914 mm) above the air inlet. The air inlet pipe and vent pipe can be located in any desired position on the roof, but must always be no further than 2 feet (.6 m) apart and with the vent termination at least 1 foot for PVC and 3 feet for stainless steel, above the air intake.
6. Maintain the required dimensions of the finished termination piping as shown in FIG. 5-1A.
7. Do not extend exposed vent pipe outside of building more than shown in this document. Condensate could freeze and block vent pipe.

**WARNING** Rooftop vent and air inlet terminations must terminate in the same pressure zone, unless vertical vent sidewall air is set up as shown in the General Venting - Vertical Vent, Sidewall Air Section.

**Figure 5-1A** PVC/CPVC/Polypropylene Vertical Termination of Air and Vent



**Figure 5-1B** Stainless Steel Vertical Termination of Air and Vent



8. Locate terminations so they are not likely to be damaged by foreign objects, such as stones or balls, or subject to buildup of leaves or sediment.

## 5 Vertical direct venting

### Vent/air termination – vertical

#### Prepare roof penetrations

1. Air pipe penetration:
  - a. Cut a hole for the air pipe. Size the air pipe hole as close as desired to the air pipe outside diameter.
2. Vent pipe penetration:
  - a. Cut a hole for the vent pipe. For either combustible or noncombustible construction, size the vent pipe hole with at least a 1/2 inch clearance around the vent pipe outer diameter:
    - 4½ inch hole for 3 inch vent pipe
  - b. Insert a galvanized metal thimble in the vent pipe hole.
3. Space the air and vent holes to provide the minimum spacing shown in FIG. 5-1A, page 31.
4. Follow all local codes for isolation of vent pipe when passing through floors, ceilings, and roofs.
5. Provide flashing and sealing boots sized for the vent pipe and air pipe.

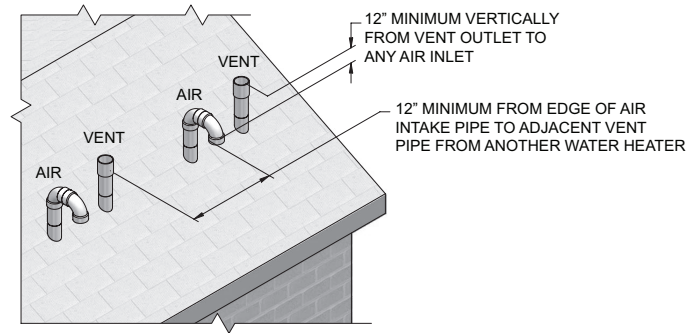
#### Multiple vent/air terminations

1. When terminating multiple Armor wall mount water heaters, terminate each vent/air connection as described in this manual (FIG. 5-2).

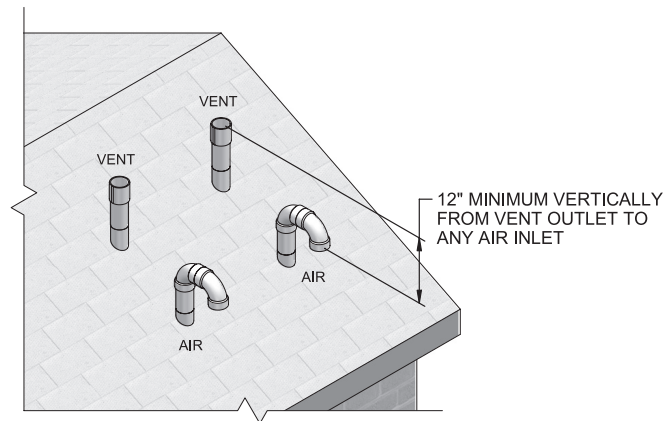
**WARNING** Terminate all vent pipes at the same height and all air pipes at the same height to avoid possibility of severe personal injury, death, or substantial property damage.

2. Place roof penetrations to obtain minimum clearance of 12 inches between edge of air intake elbow and adjacent vent pipe of another water heater for U.S. installations (see FIG. 5-2). For Canadian installations, provide clearances required by CSA B149.1 Installation Code.
3. The air inlet of an Armor wall mount water heater is part of a direct vent connection. It is not classified as a forced air intake with regard to spacing from adjacent water heater vents.

**Figure 5-2 Vertical Terminations with Multiple Water Heaters**



**Figure 5-3 Alternate Vertical Terminations with Multiple Water Heaters**



# 5 Vertical direct venting *(continued)*

## Vertical termination – optional concentric vent

### Description and usage

Lochinvar offers an optional concentric combustion air and vent pipe termination kit. Both combustion air and vent pipes must attach to the termination kit. The termination kit must terminate outside the structure and must be installed as shown in FIG. 5-4.

Field supplied pipe and fittings are required to complete the installation.

The required combustion vent pipe and fittings are listed in Table 3B, on page 18 of this manual.

### Vertical termination installation

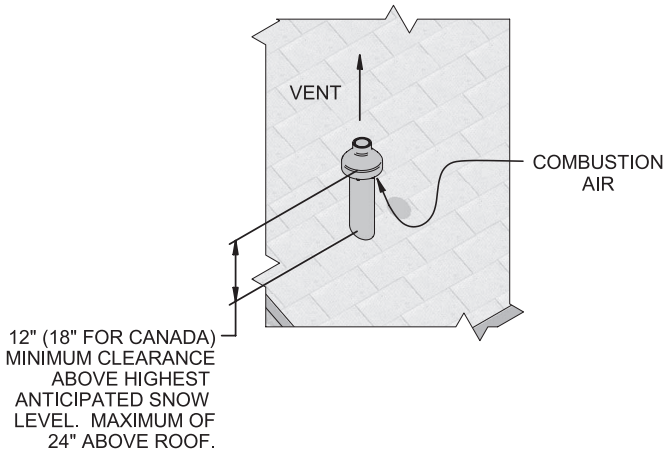
1. See Section 5, Vertical Direct Venting - Determine Location (where applicable).

2. Cut one (1) hole (5 inch diameter) into the structure to install the termination kit.
3. Partially assemble the concentric vent termination kit. Clean and cement following the cleaning procedures in these instructions.
  - a. Cement the Y concentric fitting to the larger diameter kit pipe (see FIG. 4-8, page 28).
  - b. Cement rain cap to the smaller diameter kit pipe (see FIG. 4-8, page 28).
  - c. Do not attach a U-Bend to the rain cap. Doing so could cause recirculation (see FIG. 5-5).

**NOTICE** Instead of cementing the smaller pipe to the rain cap, a field supplied stainless steel screw may be used to secure the two (2) components together when field disassembly is desired for cleaning (see FIG. 4-10, page 29).

**WARNING** When using the alternate screw assembly method, drill a clearance hole in the rain cap and a pilot hole in the vent pipe for the screw size being used. Failure to drill adequate holes may cause cracking of PVC components, allowing combustion products to be recirculated. Failure to follow this warning could result in personal injury or death.

**Figure 5-4 Concentric Vertical Termination**



**Figure 5-5 Do Not Install U-Bend to Rain Cap**



# 5 Vertical direct venting

## Vertical termination – optional concentric vent

**WARNING** Do not operate the appliance with the rain cap removed or recirculation of combustion products may occur. Water may also collect inside the larger combustion air pipe and flow to the burner enclosure. Failure to follow this warning could result in product damage or improper operation, personal injury, or death.

4. Install the Y concentric fitting pipe assembly up through the structure's hole and field supplied roof boot/flashing.

**NOTICE** Do not allow insulation or other materials to accumulate inside the pipe assembly when installing through the hole.

5. Secure the assembly to the roof structure as shown below in FIG. 5-6 using field supplied metal strapping or equivalent support material.

**CAUTION** DO NOT use field-supplied couplings to extend pipes. Airflow restriction will occur.

6. Install the rain cap and the small diameter pipe assembly into the roof penetration assembly. Ensure the small diameter pipe is cemented and bottomed in the Y concentric fitting.

7. Cement the appliance combustion air and vent pipes to the concentric vent termination assembly. See FIG. 5-6 for proper pipe attachment.

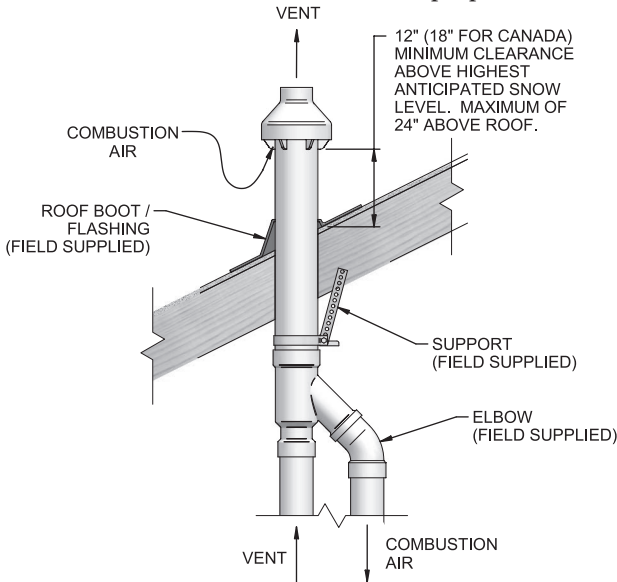
8. Operate the appliance through one (1) heat cycle to ensure combustion air and vent pipes are properly connected to the concentric vent termination connections.

### Multiventing vertical terminations

When two (2) or more direct vent appliances are vented near each other, each appliance must be individually vented (see FIG. 5-7). NEVER common vent or breach vent this appliance. When two (2) or more direct vent appliances are vented near each other, two (2) vent terminations may be installed as shown in FIG. 5-7. It is important that vent terminations be made as shown to avoid recirculation of flue gases.

**Figure 5-6 Concentric Vent Roof Installation**

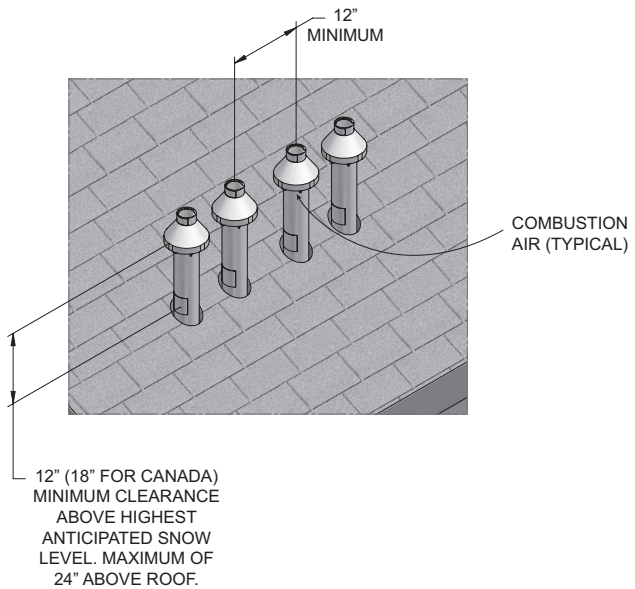
**Note:** 100140480 shown for illustration purposes.



**NOTICE** Ensure termination height is above the roof surface or anticipated snow level (12 inches in U.S.A. or 18 inches in Canada) as shown in FIG. 5-4, page 33.

**NOTICE** If assembly is too short to meet height requirement, the two (2) pipes supplied in the kit may be replaced by using the same diameter, field supplied SDR-26 PVC (D2241) pipe for 100140480 and standard schedule 40 PVC for 100140484. Do not extend dimension D\* more than 60 inches (see FIG. 4-9, page 29).

**Figure 5-7 Concentric Vent and Combustion Air Vertical Termination**



# 5 Vertical direct venting *(continued)*

## Alternate vertical concentric venting

This appliance may be installed with a concentric vent arrangement where the vent pipe is routed through an existing unused venting system; or by using the existing unused venting system as a chase for vent and combustion air routing.

### Concentric Venting Arrangement

The venting is to be vertical through the roof. The annular space between the O.D. of the vent pipe and the I.D. of the existing unused venting system is utilized for the combustion air source.

The minimum size of the existing vent system required to achieve enough annular space for combustion air can be found in Table 5A below.

The upper and lower termination as well as any other unsealed joints in the existing vent system **must be** sealed to ensure that all combustion air is drawn from under the vent cap as shown in FIG.'s 5-8 and 5-9.

Approved venting materials must be used as specified in Table 3B on page 18.

Follow all vent / air termination and clearance requirements per this section to the appropriate example. Installation must comply with local requirements and with the National Fuel Gas Code.

The maximum allowable equivalent vent and air intake lengths for this venting arrangement are to be determined from the General Venting Section.

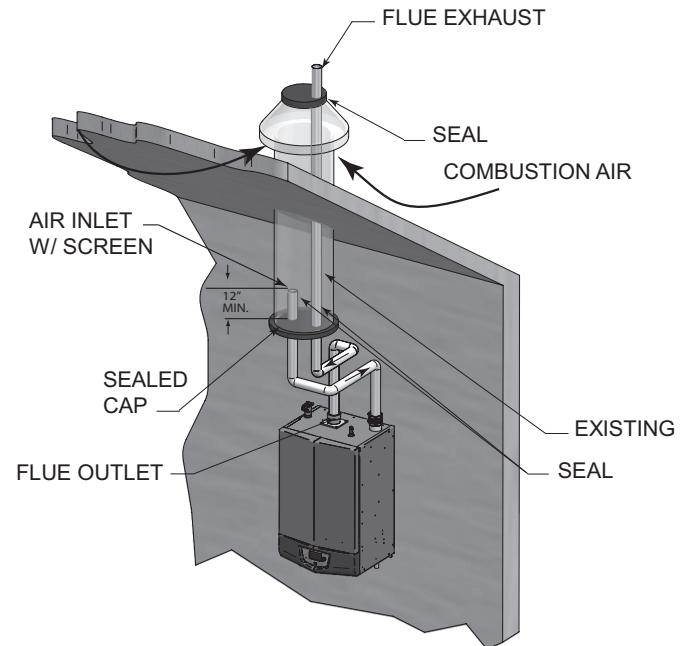
If an existing unused venting system is converted for use with this method of concentric venting, the installer must ensure that the existing venting system is clean and free from particulate contamination that will harm this appliance and cause increased nuisance calls or maintenance. See Table 1A on page 10 for a list of corrosive contaminants and sources.

Two example scenarios of a concentric venting arrangement are shown for illustrative purposes in FIG.'s 5-8 and 5-9.

**Table 5A** Alternate Vertical Concentric Vent / Chase Sizes

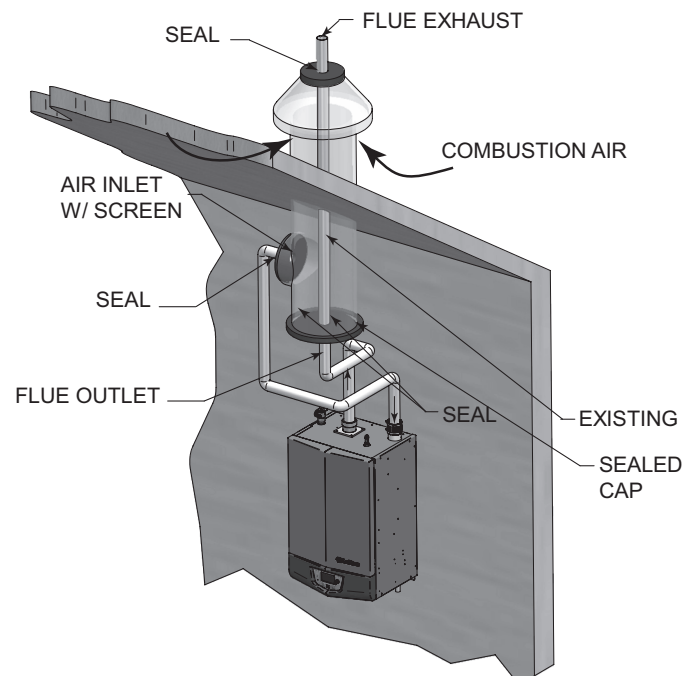
Model	Vent / Air Inlet Size	Minimum Existing Vent / Chase Size
125 - 201	3"	5"

**Figure 5-8** Concentric Vent Example 1



\*For concept illustration only. Individual installations may vary due to job site specific equipment.

**Figure 5-9** Concentric Vent Example 2



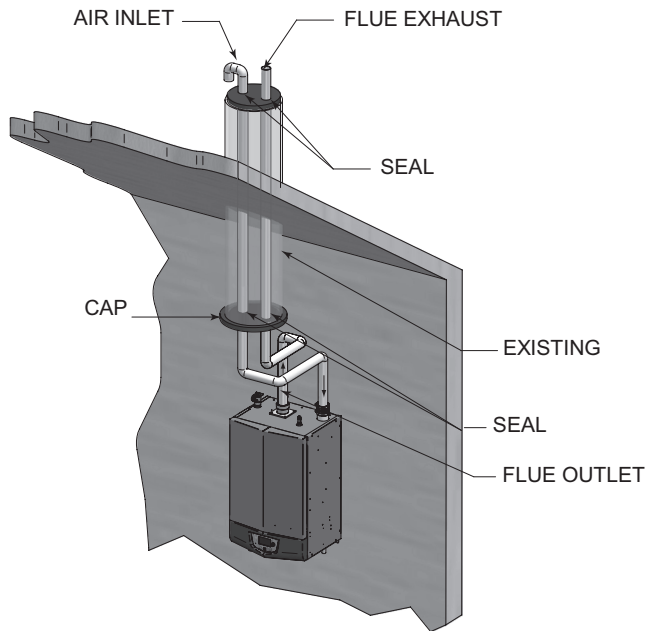
\*For concept illustration only. Individual installations may vary due to job site specific equipment.

# 5 Vertical direct venting

## Existing vent as a chase

Follow all existing termination and clearance requirements and allowable pipe lengths. Use only approved venting materials listed in the General Venting Section of this manual.

**Figure 5-10** Existing Vent as a Chase



\*For concept illustration only. Individual installations may vary due to job site specific equipment.

# 6 System piping

## System water piping methods

Observe a minimum of 1/4 inch clearance around all un-insulated hot water pipes when openings around the pipes are not protected by non-combustible materials.

### General piping information

Basic steps are listed below along with illustrations on the following pages (FIG.'s 6-4 thru 6-8), which will guide you through the installation of the Armor wall mount water heater.

1. Connect the cold water supply to the inlet side of the water heater.
2. Connect the hot water supply to the outlet side of the water heater.
3. Install a backflow preventer on the cold feed make-up water line.
4. Install the factory supplied pump as shown in FIG.'s 6-4 thru 6-8.
5. Install an expansion tank on the system supply. Consult the tank manufacturer's instruction for specific information relating to tank installation. Size the expansion tank for the required system volume and capacity.
6. Install a drain valve at the lowest point of the system.
7. This appliance is supplied with a relief valve sized in accordance with ASME Boiler and Pressure Vessel Code, Section IV ("Heating Boilers"). Pipe the discharge of the safety relief valve to a suitable drain to prevent injury in the event of pressure relief. Provide piping that is the same size as the safety relief valve outlet. Never block the outlet of the safety relief valve.

See the \*piping illustrations included in this section, FIG.'s 6-4 thru 6-8 for suggested guidelines in piping the Armor wall mount water heater.

**NOTICE**

\*Please note that these illustrations are meant to show system piping concept only, the installer is responsible for all equipment and detailing required by local codes.

### Flow switch installation

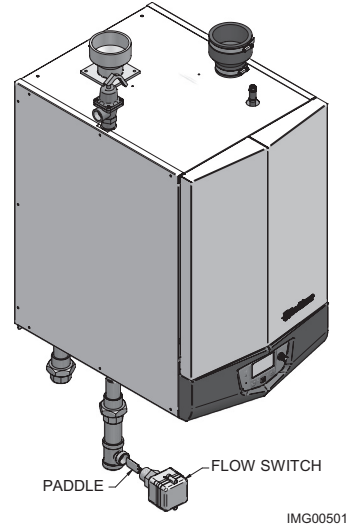
Basic steps are listed below to guide you through the installation of the flow switch provided with the unit.

1. Install the tee with the 1 inch fitting (FIG. 6-1).
2. Attach the paddle to the flow switch per the manufacturer's instructions. Reference Table 6A to select the correct paddle for the pipe size used (consult the manufacturer's instructions for a detailed explanation).  
**For Example:** If using a 1 1/4 inch pipe size (Models 125 - 201) select paddle #1.
3. Install the assembled flow switch into the 1 inch fitting of the tee installed in Step 1 (see FIG. 6-1).

**NOTICE**

Be sure to install flow switch so that the arrow on the flow switch is pointing in the direction of the flow (see FIG. 6-2).

Figure 6-1 Flow Switch Installation



### Flow switch adjustment

Refer to Table 6A for the proper setting of the sensitivity screw. For reference, the position of the screw prior to setting should be turned clockwise with a Phillips driver until it stops (FIG. 6-2). Proceed to turn the screw counterclockwise the amount of turns listed in Table 6A based on the model.

Consult the manufacturer's instructions for wiring the flow switch to your system.

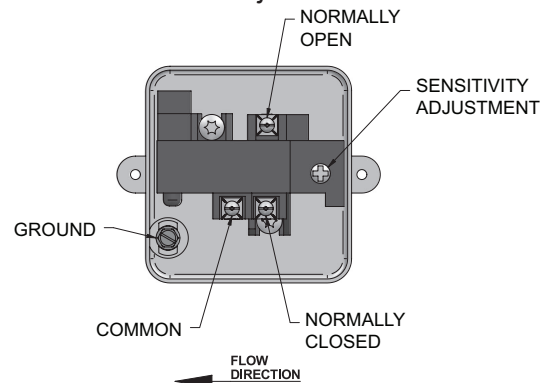
Table 6A Paddle Size / Sensitivity Screw Adjustment

MODEL	PADDLE SIZE	SENSITIVITY SCREW ADJUSTMENT
<b>Note: Paddles are included with the flow switch.</b>		
125	#1	9 turns
200/201	#1	6 turns

**NOTICE**

Turn the sensitivity screw clockwise to increase the flow rate required to activate the switch. Turn the sensitivity screw counterclockwise to decrease the flow rate required to activate the switch.

Figure 6-2 Flow Switch Adjustment

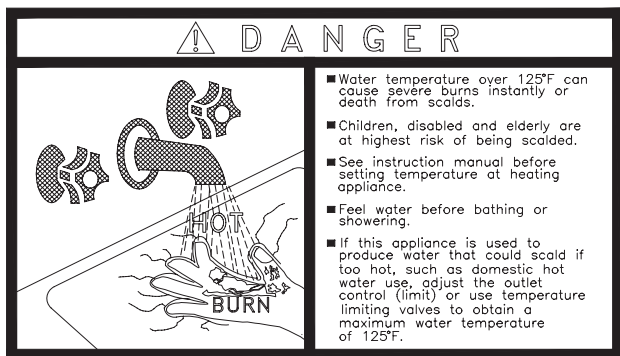


# 6 System piping

## Scalding

This water heater can deliver scalding temperature water at any faucet in the system. Be careful whenever using hot water to avoid scalding injury. Certain appliances such as dishwashers and automatic clothes washers may require increased temperature water. By setting the thermostat on this water heater to obtain the increased temperature water required by these appliances, you may create the potential for scald injury. To protect against injury, you should install a mixing valve in the water system. This valve will reduce point of discharge temperature by mixing cold and hot water in branch supply lines. Such valves are available from the local plumbing supplier.

**Figure 6-3 Scald Warning Label Located on the Appliance**



The following chart (Table 6B) details the relationship of water temperature and time with regard to scald injury and may be used as a guide in determining the safest water temperature for your applications.

**Table 6B Approximate Time / Temperature Scald Chart**

APPROXIMATE TIME / TEMPERATURE RELATIONSHIPS IN SCALDS	
120°F	More than 5 minutes
125°F	1 1/2 to 2 minutes
130°F	About 30 seconds
135°F	About 10 seconds
140°F	Less than 5 seconds
145°F	Less than 3 seconds
150°F	About 1 1/2 seconds
155°F	About 1 second

## Water chemistry

**NOTICE**

The temperature rises and circulating pumps shown in Table 6C are selected based on the heating of potable water with a specified water chemistry. See Table 10A in Start-Up section for recommendations.

Heating of high hardness and/or high total dissolved solids water may require a larger circulating pump, and a revised temperature rise specification based on the water chemistry of the water to be heated. See Table 10A in Start-Up Section for recommendations.

Water with a hardness of less than 5 grains per gallon will usually have a pH which can be aggressive and corrosive causing non-warrantable damage to the pump, and associated piping. Corrosion due to water chemistry generally shows up first in the hot water system because heated water increases the rate of corrosive chemical reactions.

## Piping components

### Water heater system piping:

Water heater system piping MUST be sized per the pipe requirements listed in Table 6C. Reducing the pipe size can restrict the flow rate through the water heater, causing inadvertent high limit shutdowns and poor system performance.

### Check valves:

Field supplied. Check valves are recommended for installation as shown in FIG.'s 6-4 thru 6-8.

### Water heater isolation valves:

Field supplied. Full port ball valves are required. Failure to use full port ball valves could result in a restricted flow rate through the water heater.

### Anti-scald mixing valve:

Field supplied. An anti-scald mixing valve is recommended when storing domestic hot water above 115°F.

### Unions:

Field supplied. Recommended for unit serviceability.

### Temperature and pressure relief valve:

Factory supplied on water heaters. The temperature and pressure relief valve is sized to ASME specifications. Storage tanks may require additional valves depending on local codes.

### Tank sensor:

Lochinvar supplies a tank sensor. The tank sensor must be installed in the tapping provided in the lower 25% of the storage tank to achieve proper operation. As shipped from the factory, the tank sensor is in the literature package shipped with the unit. Placing the sensor in the tapping provided on the storage tank will improve temperature response and prevent short cycles of operation.

### Strainer:

Field supplied. Required to help eliminate debris from causing damage to the heat exchanger. When installing in a pre-existing system, it is recommended to install a filter in the recirculation line capable of removing debris left in the system.

### Building recirculation filter:

Field supplied as required (see Table 10A). When required helps to eliminate debris from causing damage to the heat exchanger.

**CAUTION**

Check recirculation pump size to verify it is sized for filter addition and upsize if necessary.

**Table 6C Water Heater Pump Applications / Typical Temperature Rise**

Water Heater Pump Applications						
Model	*Pipe Size	Water Hardness	Grundfos	Flow Rate (GPM)	Loss (FT/HD)	Temp. Rise
125	1"	5 to 12 gpg	*UP 26-99 BF	14	17	18°F
		12 to 15 gpg	TP 40-160	19	40	12°F
200/201	1-1/4"	5 to 12 gpg	*UP 43-100 SF	21	22	18°F
		12 to 15 gpg	TP 40-160	28	38	13°F

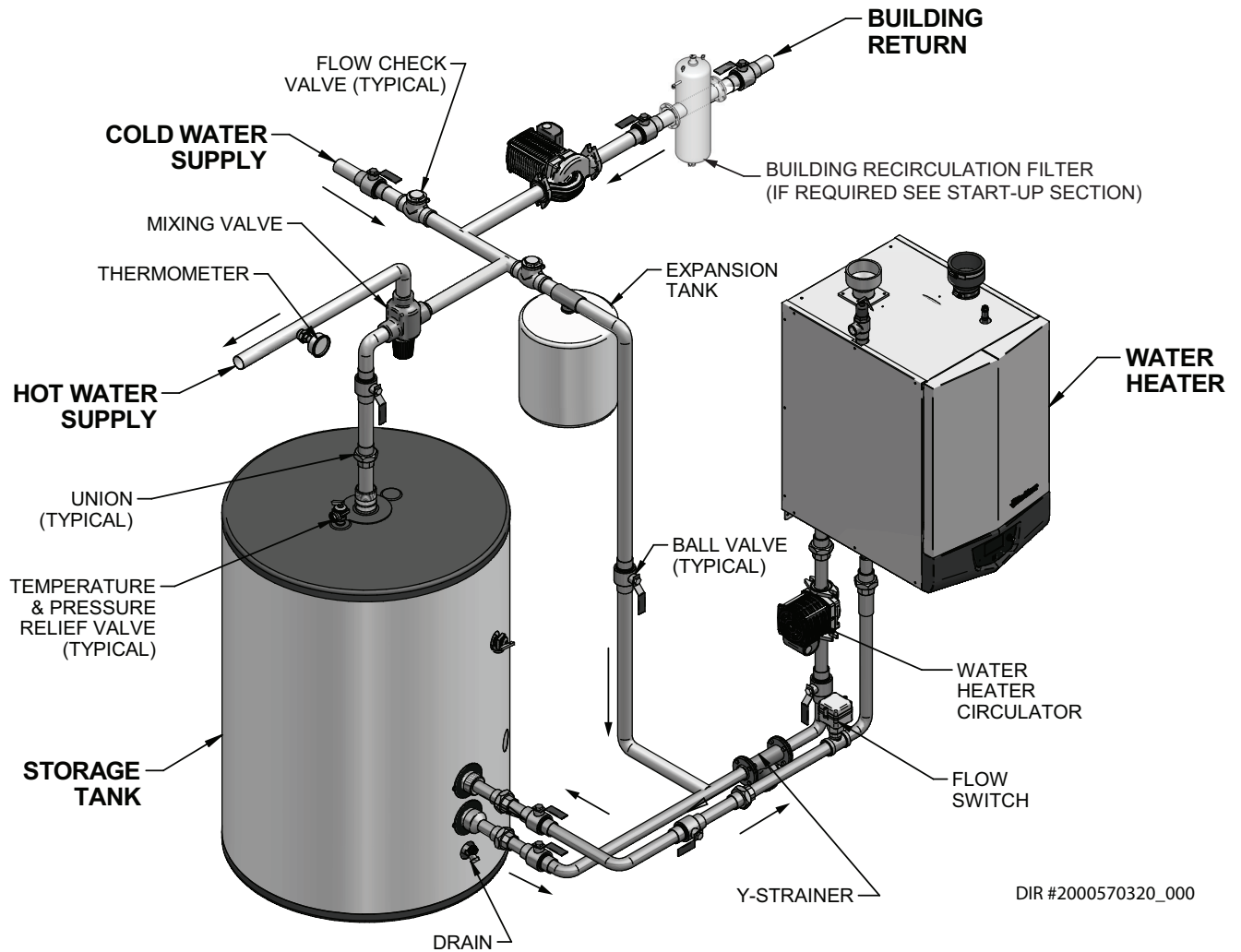
\*Denotes standard pump supplied with unit.

**NOTICE**

Pump selections and flow shown above are based on 45 feet of piping, 4 - 90° elbows, and 2 - fully ported ball valves.

## 6 System piping *(continued)*

Figure 6-4 Single Heater - Single Tank



**CAUTION**

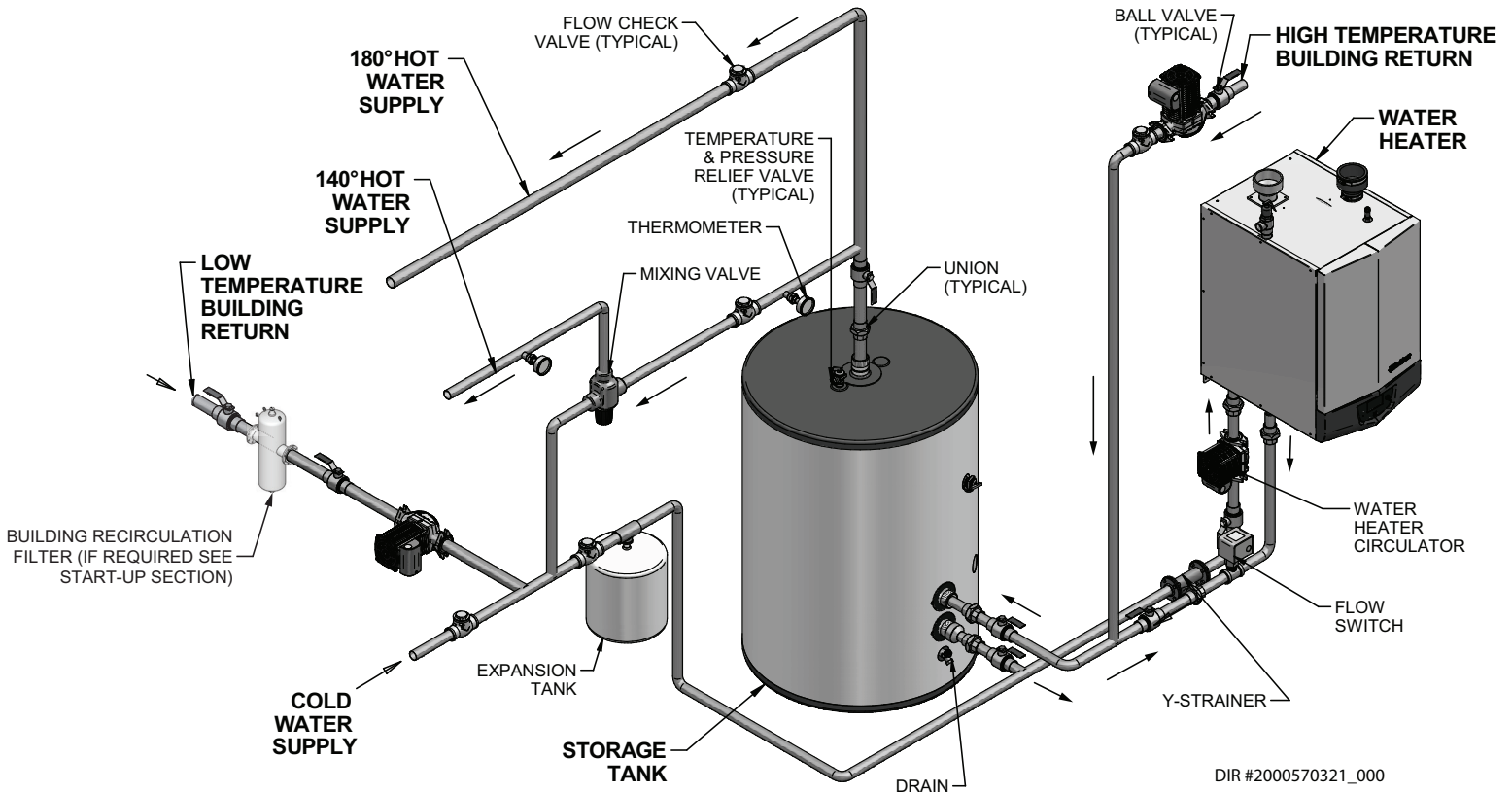
The piping will not support the weight of the water heater circulator pump. Do not attempt to support the weight of the water heater circulator pump with the piping or its accessories. Refer to the pump manufacturer's installation instructions. Failure to comply could result in severe personal injury, death, or substantial property damage.

**NOTICE**

Please note that these illustrations are meant to show system piping concept only, the installer is responsible for all equipment. The installer must follow all manufacturer's instructions for each system component. The installer is responsible for compliance with local codes.

# 6 System piping

Figure 6-5 Single Heater - Single Tank (2 Temperature)



**CAUTION**

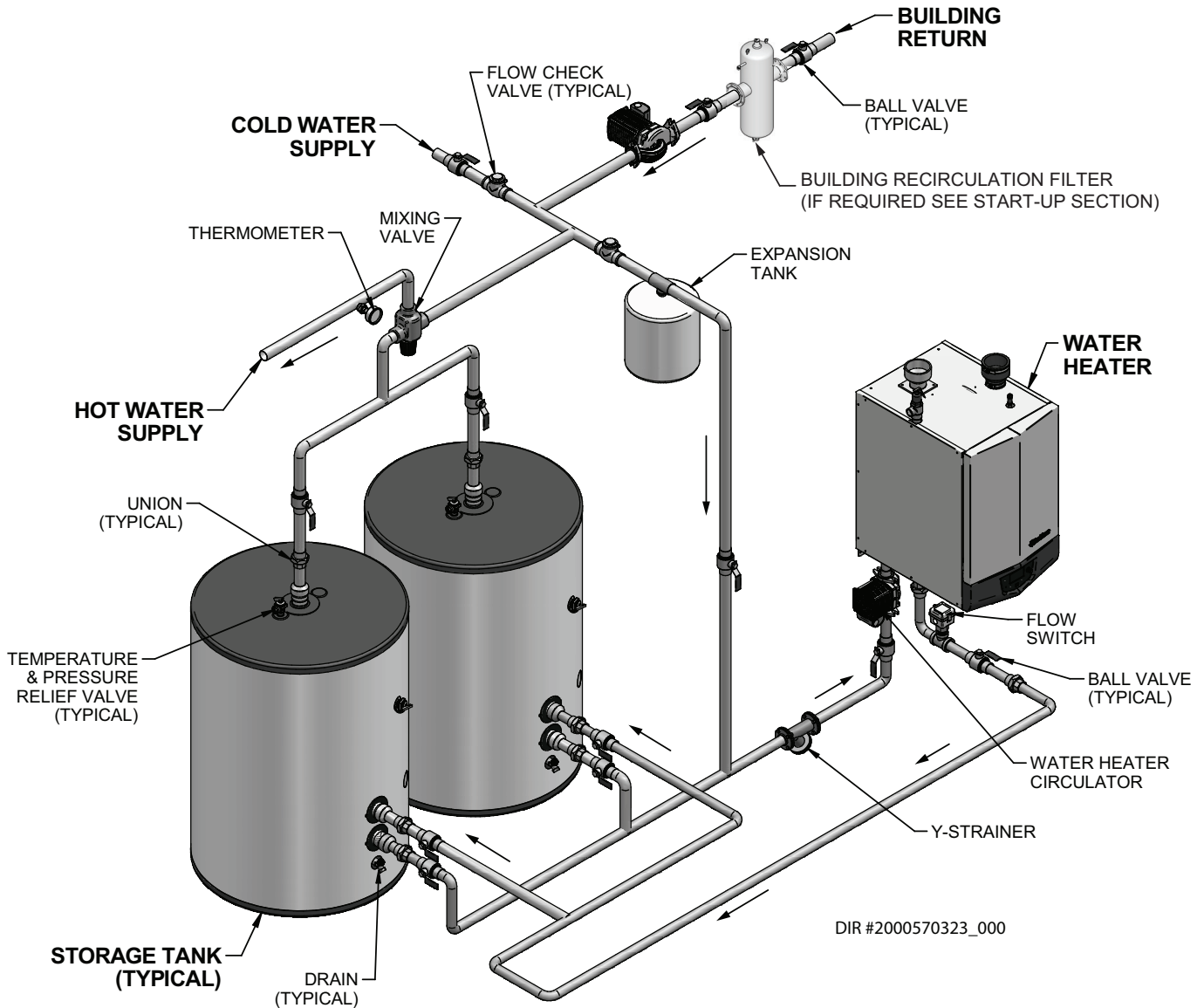
The piping will not support the weight of the water heater circulator pump. Do not attempt to support the weight of the water heater circulator pump with the piping or its accessories. Refer to the pump manufacturer's installation instructions. Failure to comply could result in severe personal injury, death, or substantial property damage.

**NOTICE**

Please note that these illustrations are meant to show system piping concept only, the installer is responsible for all equipment. The installer must follow all manufacturer's instructions for each system component. The installer is responsible for compliance with local codes.

## 6 System piping *(continued)*

Figure 6-6 Single Heater - Double Tank



**CAUTION**

The piping will not support the weight of the water heater circulator pump. Do not attempt to support the weight of the water heater circulator pump with the piping or its accessories. Refer to the pump manufacturer's installation instructions. Failure to comply could result in severe personal injury, death, or substantial property damage.

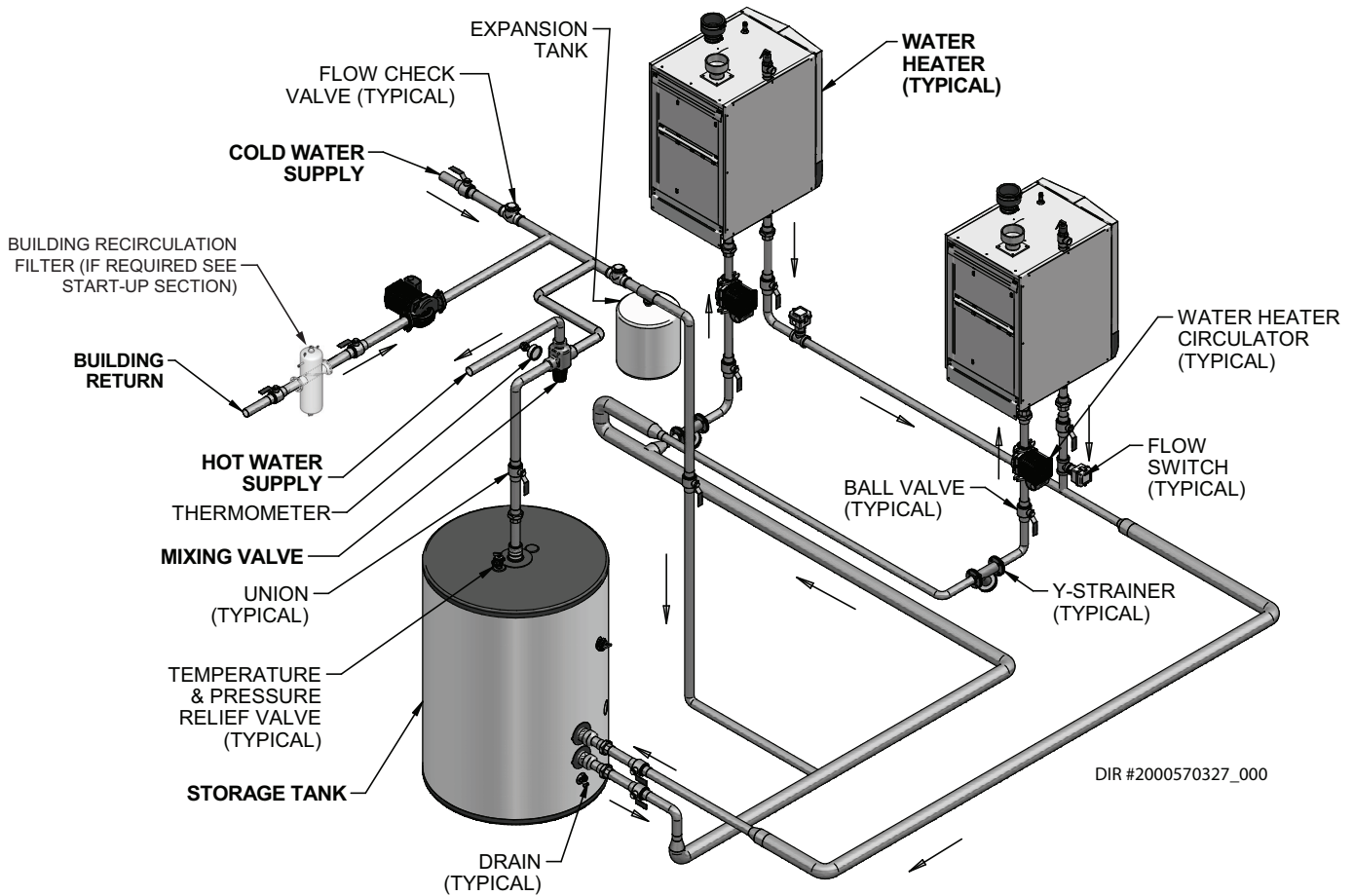
**NOTICE**

Please note that these illustrations are meant to show system piping concept only, the installer is responsible for all equipment. The installer must follow all manufacturer's instructions for each system component. The installer is responsible for compliance with local codes.

# 6 System piping

Figure 6-7 Double Heater - Single Tank

Model	Number of Units							Model	Number of Units						
	2	3	4	5	6	7	8		2	3	4	5	6	7	8
	Required Pipe Sizes in NPT with Standard Pump								Required Pipe Sizes in NPT with Upsized Pump						
151	1 1/2"	2"	2"	2"	2 1/2"	3"	3"	151	1 1/2"	2"	2 1/2"	2 1/2"	3"	3"	3"
200/201	2"	2"	2 1/2"	2 1/2"	3"	3"	3"	200/201	2"	2 1/2"	3"	3"	4"	4"	4"



DIR #2000570327\_000

**CAUTION**

The piping will not support the weight of the water heater circulator pump. Do not attempt to support the weight of the water heater circulator pump with the piping or its accessories. Refer to the pump manufacturer's installation instructions. Failure to comply could result in severe personal injury, death, or substantial property damage.

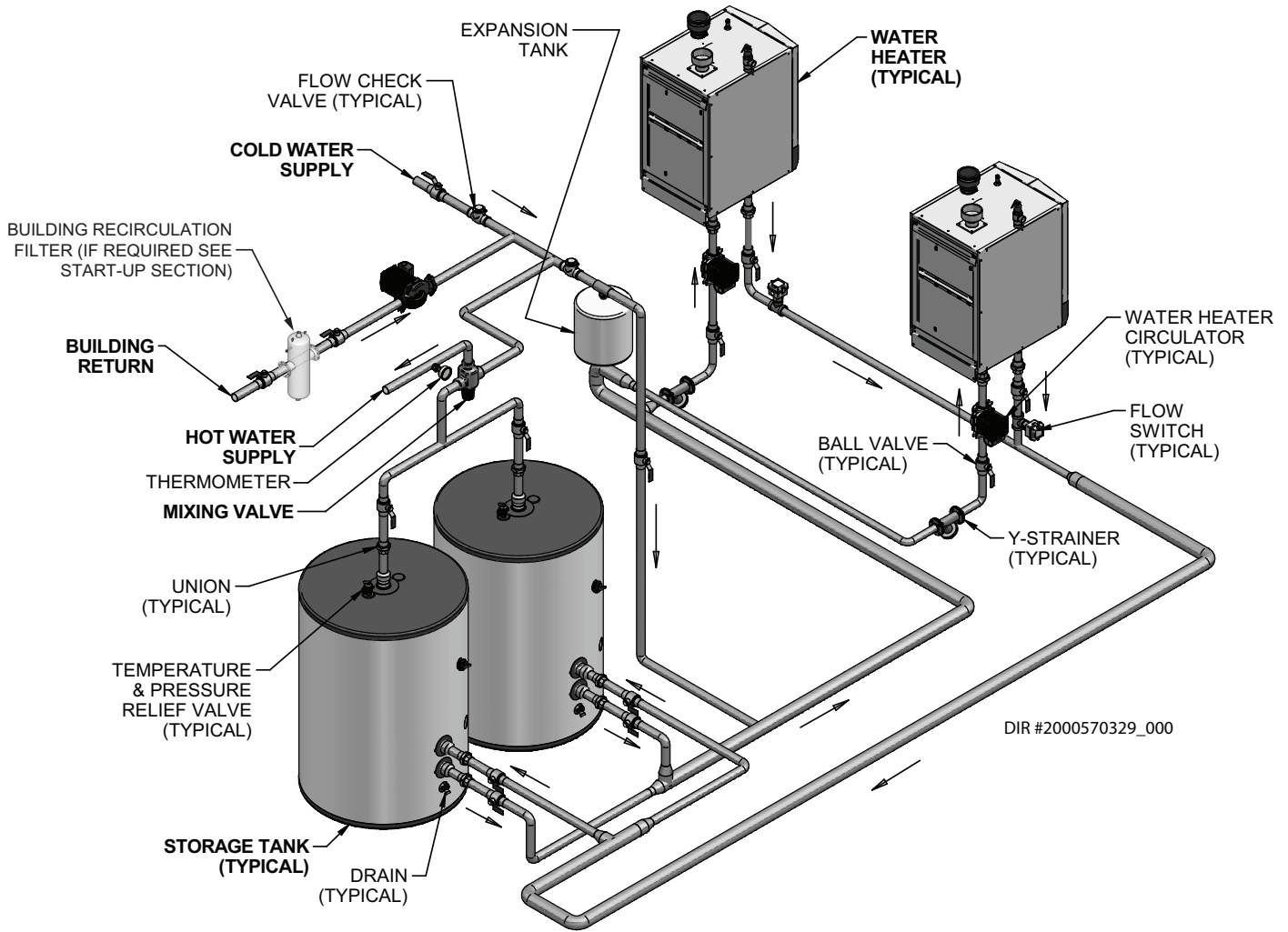
**NOTICE**

Please note that these illustrations are meant to show system piping concept only, the installer is responsible for all equipment. The installer must follow all manufacturer's instructions for each system component. The installer is responsible for compliance with local codes.

# 6 System piping *(continued)*

Figure 6-8 Double Heater - Double Tank

Model	Number of Units							Model	Number of Units						
	2	3	4	5	6	7	8		2	3	4	5	6	7	8
	Required Pipe Sizes in NPT with Standard Pump								Required Pipe Sizes in NPT with Upsized Pump						
151	1 1/2"	2"	2"	2"	2 1/2"	3"	3"	151	1 1/2"	2"	2 1/2"	2 1/2"	3"	3"	3"
200/201	2"	2"	2 1/2"	2 1/2"	3"	3"	3"	200/201	2"	2 1/2"	3"	3"	4"	4"	4"



DIR #2000570329\_000

**CAUTION**

The piping will not support the weight of the water heater circulator pump. Do not attempt to support the weight of the water heater circulator pump with the piping or its accessories. Refer to the pump manufacturer's installation instructions. Failure to comply could result in severe personal injury, death, or substantial property damage.

**NOTICE**

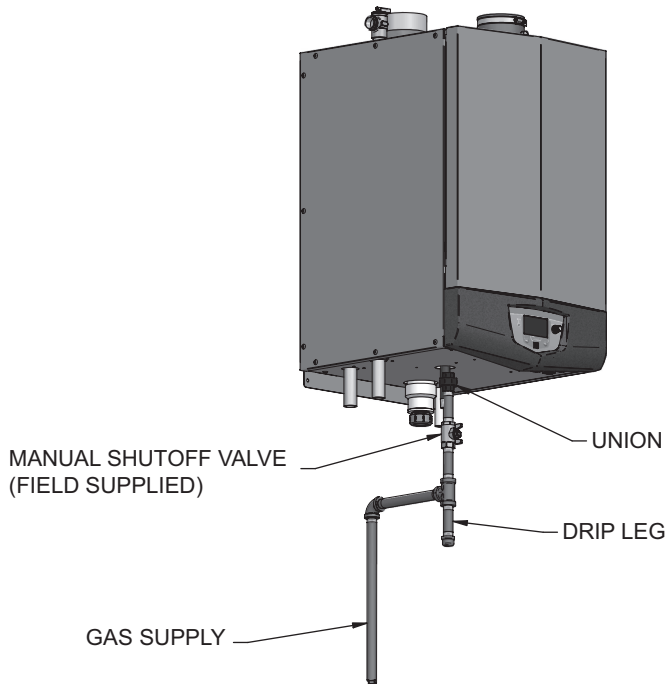
Please note that these illustrations are meant to show system piping concept only, the installer is responsible for all equipment. The installer must follow all manufacturer's instructions for each system component. The installer is responsible for compliance with local codes.

# 7 Gas connections

## Connecting gas supply piping

1. Remove the front access panel and refer to FIG. 7-1 to pipe gas to the water heater.
  - a. Install a field supplied sediment trap / drip leg upstream of the water heater gas controls.

**Figure 7-1 Gas Supply Piping**



2. Support piping with hangers, not by the water heater or its accessories.

**WARNING** The gas valve and blower will not support the weight of the piping. Do not attempt to support the weight of the piping with the water heater or its accessories. Failure to comply could result in severe personal injury, death, or substantial property damage.

3. Purge all air from the gas supply piping.
4. Before placing the water heater in operation, check the water heater and its gas connection for leaks.
  - a. Close manual main shutoff valve during any pressure testing at less than 13 inches w.c.
  - b. Disconnect the water heater and gas valve from the gas supply piping during any pressure testing greater than 13 inches w.c.

**WARNING** Do not check for gas leaks with an open flame – use the bubble test. Failure to use the bubble test or check for gas leaks can cause severe personal injury, death, or substantial property damage.

5. Use pipe sealing compound compatible with propane gases. Apply sparingly only to male threads of the pipe joints so that pipe dope does not block gas flow.

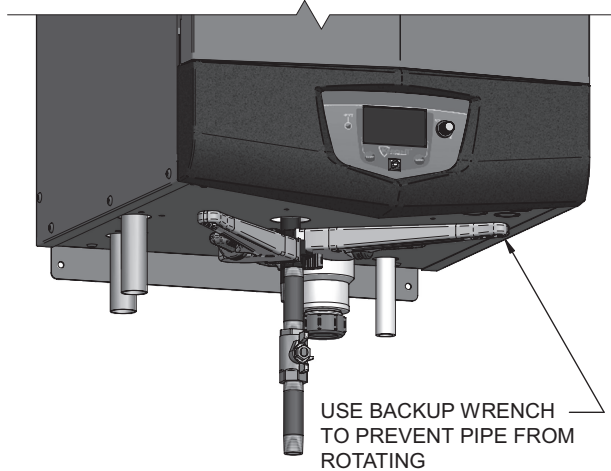
## 7 Gas connections *(continued)*

**WARNING** Failure to apply pipe sealing compound as detailed in this manual can result in severe personal injury, death, or substantial property damage.

**WARNING** Armor wall mount water heaters are typically shipped ready to fire on natural gas. Check the water heater rating plate to determine which fuel the water heater is set for. If set to natural gas, it may be converted to LP by installing an orifice (see pages 12 thru 13). In order to operate on LP gas, an orifice **MUST BE** installed. Failure to comply could result in severe personal injury, death, or substantial property damage.

**WARNING** Use two wrenches when tightening gas piping at water heater (FIG. 7-2), using one wrench to prevent the water heater gas line connection from turning. Failure to support the water heater gas connection pipe to prevent it from turning could damage gas line components.

Figure 7-2 Inlet Pipe with Backup Wrench



**NOTICE** Maximum inlet gas pressure must not exceed the value specified. Minimum value listed is for the purposes of input adjustment.

### Natural gas:

#### Pipe sizing for natural gas

1. Refer to Table 7A for pipe length and diameter. Based on rated water heater input (divide by 1,000 to obtain cubic feet per hour).
  - a. Table 7A is only for natural gas with specific gravity 0.60 inches, with a pressure drop through the gas piping of 0.30 inches w.c.
  - b. For additional gas pipe sizing information, refer to ANSI Z223.1 (or B149.1 for Canadian installations).

#### Natural gas supply pressure requirements

1. Pressure required at the gas valve inlet pressure port:
  - Maximum 14 inches w.c. with no flow (lockup) or with water heater on.
  - Minimum 4 inches w.c. with gas flowing (verify during water heater startup).
2. Install 100% lockup gas pressure regulator in supply line if inlet pressure can exceed 14 inches w.c. at any time. Adjust lockup regulator for 14 inches w.c. maximum.

### Propane gas:

**WARNING** Armor wall mount water heaters are typically shipped ready to fire on natural gas. Check water heater rating plate to determine which fuel the water heater is set for. If set to natural gas, it may be converted to LP by installing an orifice (see pages 12 thru 13). In order to operate on LP gas, an orifice **MUST BE** installed. Failure to comply could result in severe personal injury, death, or substantial property damage.

#### Pipe sizing for propane gas

1. Contact gas supplier to size pipes, tanks, and 100% lockup gas pressure regulator.

#### Propane supply pressure requirements

1. Adjust propane supply regulator provided by the gas supplier for 14 inches w.c. maximum pressure.
2. Pressure required at gas valve inlet pressure port:
  - Maximum 14 inches w.c. with no flow (lockup) or with water heater on.
  - Minimum 8 inches w.c. with gas flowing (verify during water heater startup).

**WARNING** Ensure that the high gas pressure regulator is 10 feet upstream of the appliance.

# 7 Gas connections

Table 7A Natural Gas Pipe Size Chart

Capacity of Schedule 40 Metallic Pipe in Cubic Feet of Natural Gas Per Hour (based on .60 specific gravity, 0.30" w.c. pressure drop)														
Pipe Size (Inches)	Length of Pipe in Straight Feet													
	10	20	30	40	50	60	70	80	90	100	125	150	175	200/201
1/2	131	90	72	62	55	N/A	N/A	N/A	N/A	N/A	N/A	N/A	N/A	N/A
3/4	273	188	151	129	114	104	95	89	83	79	70	63	58	N/A
1	514	353	284	243	215	195	179	167	157	148	131	119	109	102
1 1/4	1,060	726	583	499	442	400	368	343	322	304	269	244	224	209
1 1/2	1,580	1,090	873	747	662	600	552	514	482	455	403	366	336	313
2	3,050	2,090	1,680	1,440	1,280	1,160	1,060	989	928	877	777	704	648	602
2 1/2	4,860	3,340	2,680	2,290	2,030	1,840	1,690	1,580	1,480	1,400	1,240	1,120	1,030	960
3	8,580	5,900	4,740	4,050	3,590	3,260	3,000	2,790	2,610	2,470	2,190	1,980	1,820	1,700
4	17,500	12,000	9,660	8,270	7,330	6,640	6,110	5,680	5,330	5,040	4,460	4,050	3,720	3,460

**WARNING** Armor wall mount water heaters are typically shipped ready to fire on natural gas. Check the water heater rating plate to determine which fuel the water heater is set for. If set to natural gas, it may be converted to LP by installing an orifice (see pages 12 thru 13). In order to operate on LP gas, an orifice **MUST BE** installed. Failure to comply could result in severe personal injury, death, or substantial property damage.

## Check inlet gas supply

**NOTICE** CSA or UL listed flexible gas connections are acceptable, but you must exercise caution to ensure that the line has adequate capacity to allow your water heater to fire at full rate. Consult with local codes for proper installation or service procedures.

**WARNING** DO NOT attempt to measure gas valve outlet pressure. The gas valve is factory-set for the correct outlet pressure. This setting is suitable for natural gas and propane, requiring no field adjustment. Attempting to measure the gas valve outlet pressure could result in damage to the valve, causing potential severe personal injury, death, or substantial property damage.

The gas piping must be sized for the proper flow and length of pipe, to avoid excessive pressure drop. Both the gas meter and the gas regulator must be properly sized for the total gas load.

If you experience a pressure drop greater than 1 inch w.c., the meter, regulator, or gas line is undersized or in need of service. Perform the steps below when checking inlet gas supply:

1. Shut off gas supply at the manual gas valve in the gas piping to the appliance.
2. Loosen the set screw one (1) full turn from inside the pressure tap on top of the gas valve. Place the tubing of the manometer over the tap once the set screw is loosened as shown in FIG. 7-3 on page 47.
3. Slowly turn on the gas supply at the field installed manual gas valve.
4. Adjust the temperature set point on the control panel of the SMART SYSTEM control module to call for heat.

5. Observe the gas supply pressure as the burner fires at 100% of rated input. Percent of burner input will be displayed on the control panel.
6. Ensure inlet pressure is within specified range. Minimum and maximum gas supply pressures are specified in this section of the manual.
7. If gas supply pressure is within normal range and no adjustments are needed, proceed on to Step 9.
8. If the gas pressure is out of range, contact the gas utility, gas supplier, qualified installer or service agency to determine the necessary steps to provide proper gas pressure to the control.
9. Shut off the gas supply at the manual gas valve in the gas piping to the appliance.
10. Remove the manometer from the pressure tap on top of the gas valve. Re-tighten the set screw inside the pressure tap.

**WARNING** When re-tightening the set screw, be sure to tighten securely to prevent gas leaks.

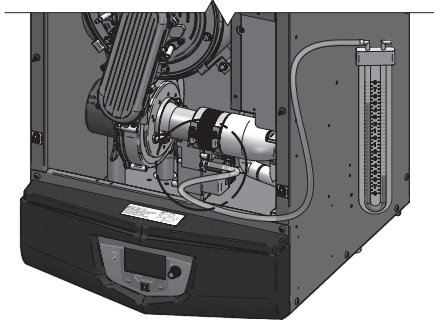
Do not check for gas leaks with an open flame -- use the bubble test. Failure to use the bubble test or check for gas leaks can cause severe personal injury, death, or substantial property damage.

11. Turn on the gas supply at the manual gas valve.
12. Adjust the temperature set point on the control panel of the SMART SYSTEM control module to the desired water temperature so the appliance will call for heat.

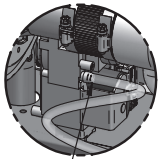
## 7 Gas connections *(continued)*

- Check burner performance by cycling the system while you observe burner response. The burner should ignite promptly. Flame pattern should be stable. Turn system off and allow burner to cool, then cycle burner again to ensure proper ignition and flame characteristics.

**Figure 7-3 Inlet Gas Supply Check**



### DETAIL



LOOSEN SET SCREW ONE (1)  
FULL TURN THEN PLACE  
TUBING OVER PRESSURE TAP

### Gas pressure

The gas pressure must remain between 4 inches w.c. (natural), 8 inches w.c. (LP) minimum and 14 inches w.c. (natural and LP) maximum during stand-by (static) mode and while in operating (dynamic) mode. If an in-line regulator is used, it must be a minimum of 10 feet from the Armor wall mount water heater. It is very important that the gas line is properly purged by the gas supplier or utility company. Failure to properly purge the lines or improper line sizing, will result in ignition failure.

The problem is especially noticeable in NEW LP installations and also in empty tank situations. This can also occur when a utility company shuts off service to an area to provide maintenance to their lines.

### Gas valve replacement

The gas valve **MUST NOT** be replaced with a conventional gas valve under any circumstances. As an additional safety feature, this gas valve has a flanged connection to the venturi and blower.

**WARNING** Failure to follow all precautions could result in fire, explosion, or death!

**WARNING** DO NOT adjust gas valve outlet pressure. The gas valve is factory-set for the correct outlet pressure. This setting is suitable for natural gas and propane, requiring no field adjustment. Attempting to alter the gas valve outlet pressure could result in damage to the valve, causing potential severe personal injury, death, or substantial property damage.

## 8 Field wiring

**WARNING** ELECTRICAL SHOCK HAZARD – For your safety, turn off electrical power supply before making any electrical connections to avoid possible electric shock hazard. Failure to do so can cause severe personal injury or death.

**NOTICE** Wiring must be N.E.C. Class 1.

If original wiring as supplied with the water heater must be replaced, use only type 105°C wire or equivalent.

The water heater must be electrically grounded as required by National Electrical Code ANSI/NFPA 70 – latest edition.

**CAUTION** Label all wires prior to disconnection when servicing controls. Wiring errors can cause improper and dangerous operation.

### Installation must comply with:

1. National Electrical Code and any other national, state, provincial, or local codes, or regulations.
2. In Canada, CSA C22.1 Canadian Electrical Code Part 1, and any local codes.

### Line voltage connections

1. Connect 120 VAC power wiring to the line voltage terminal strip in the junction box, as shown in FIG. 8-1.
2. Provide and install a fused disconnect or service switch (15 amp recommended) as required by the code (see FIG. 8-1).
3. The DHW (water heater) pump is shipped loose on all Armor wall mount models. Wire the water heater pump as shown in FIG. 8-1.
4. The Armor wall mount water heater is capable of controlling a building recirculation pump (field supplied). Wire the building recirculation pump as shown in FIG. 8-1.
5. Dry contacts are sized for 1 hp/120V, 2 hp/240V or 15A/120V, 25A/240V.

### Low voltage connections

1. Route all low voltage wires through the knockouts in the bottom of the water heater, as shown in FIG. 8-2.
2. Connect low voltage wiring to the low voltage connection board as shown in FIG. 8-3 on page 51 of this manual and the water heater wiring diagram.

Figure 8-1 Line Voltage Field Wiring Connections

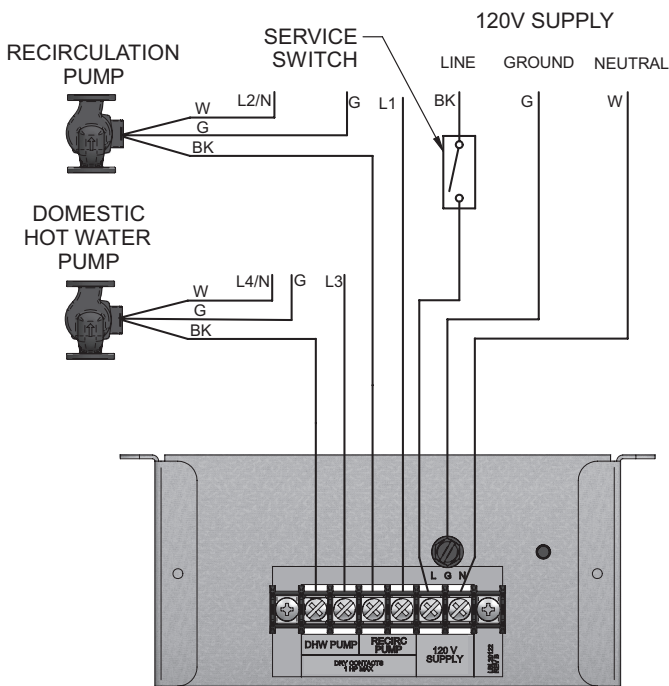
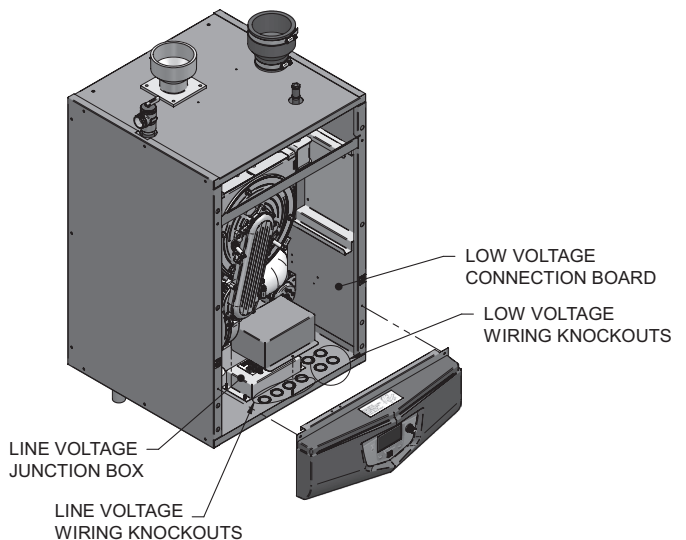


Figure 8-2 Routing Field Wiring



## 8 Field wiring *(continued)*

### Tank thermostat

1. Connect the tank thermostats (isolated contact only) to the tank thermostat contacts as shown in FIG. 8-3.

### Tank sensor

1. By installing a tank sensor, the SMART SYSTEM control can perform the tank thermostat function. The SMART SYSTEM control automatically detects the presence of this sensor and generates a call for heat when the tank temperature drops below the programmed differential and finishes the call for heat when the tank temperature reaches above the programmed offset.
2. The tank sensor is the only sensor suitable for use with the SMART SYSTEM control. Connect the sensor leads to the Tank Sensor terminals on the Low Voltage Connection Board (FIG. 8-3).

### Louver relay

If louvers need to operate when the water heater fires, they can be controlled by this output. Connect these terminals to a 24 VAC relay coil, which is wired to operate the louvers (FIG. 8-3).

### Louver proving switch

When the operation of the louvers needs to be verified before the water heater fires, remove the jumper wire from these terminals and connect them to the normally open contacts on its proving switch (FIG. 8-3).

### Flow switch

1. A flow switch is used to guarantee flow through the water heater before allowing it to fire. The flow switch must be installed at the water heater outlet.
2. Connect these terminals to the normally open contacts on the flow switch (FIG. 8-3).

### Rate output

This output provides a 0 - 10V signal that is proportional to the firing rate of the water heater. This may be used by a BMS system to monitor the actual rate of the water heater.

### ModBus

When the optional ModBus interface module is installed, the RS-485 ModBus cable is connected to these terminals. Use shielded, 2-wire twisted pair cable. If desired, the shield can be connected to ground by installing a jumper wire between terminals 1 and 3 on connector X5 on the optional ModBus interface module.

### Building Management System (BMS)

1. An external control may be connected to control either the firing rate or the set point of the water heater. If the external control uses a set of contacts to enable the water heater, connect the contacts to the Tank Thermostat terminals. Otherwise, the SMART SYSTEM control will be enabled by the 0-10V signal.
2. Make sure the (-) terminal is connected to the (-) or common output terminal of the external control, and the (+) terminal is connected to the (+) or 0 - 10 VDC terminal of the external control. Make sure the (-) voltage is not below ground.

## 8 Field wiring

### Runtime contacts

The SMART SYSTEM control closes a set of dry contacts whenever the burner is running. This is typically used by Building Management Systems to verify that the water heater is responding to a call for heat.

### Alarm contacts

The SMART SYSTEM control closes another set of contacts whenever the water heater is locked out or the power is turned off. This can be used to turn on an alarm, or signal a Building Management System that the water heater is down.

### Wiring of the cascade

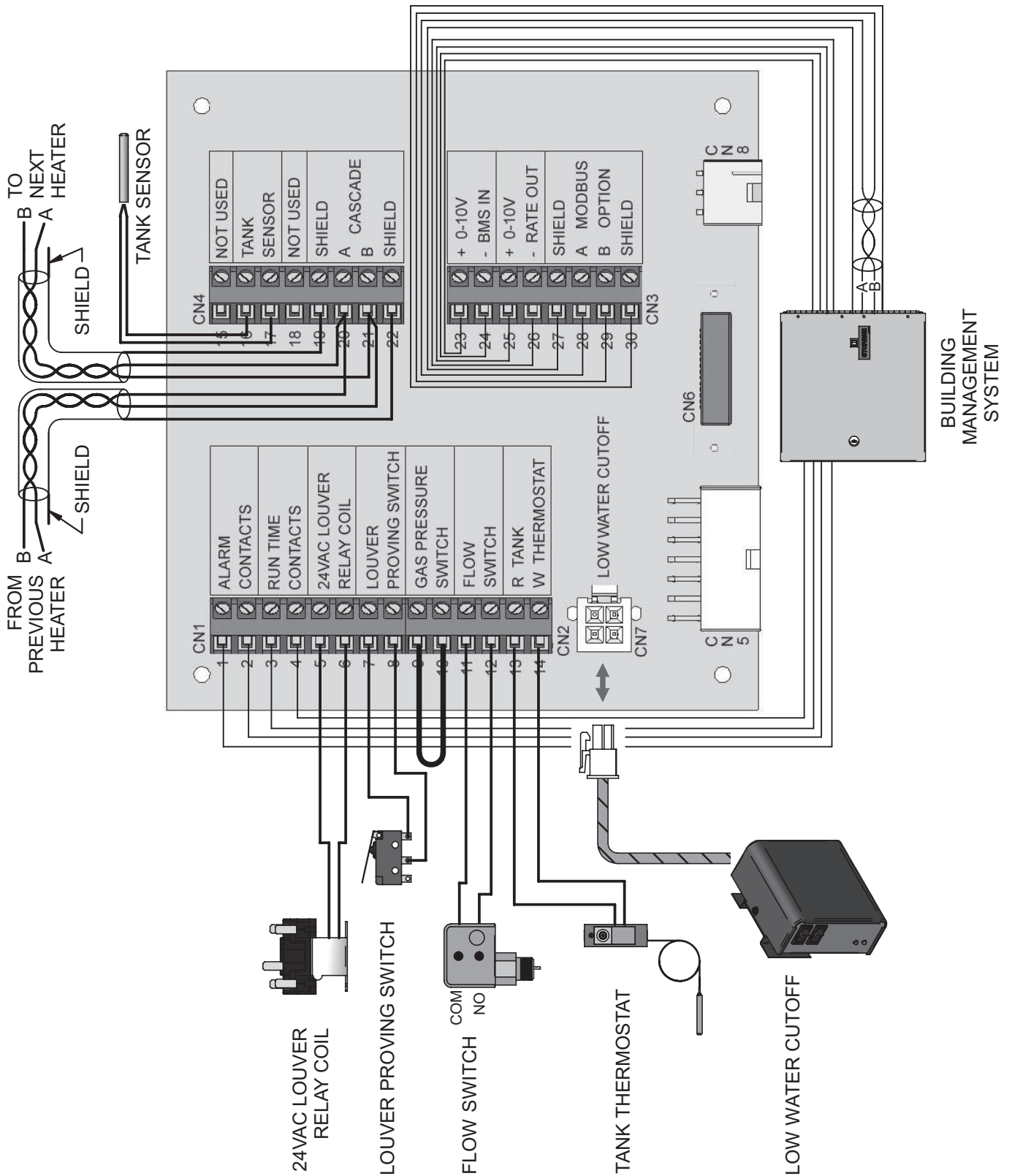
When wiring the water heaters for Cascade operation, select one water heater as the Leader water heater. The remaining water heaters will be designated as Members. See page 57 “Configuration of the Cascade” for a detailed explanation of this procedure.

Connect the tank sensor to the Leader water heater. For the Cascade system to work properly the tank sensor must be installed. The tank sensor should be wired to the low voltage connection board at the terminals marked for the tank sensor (see FIG. 8-3). The Leader control will use the water temperature at the tank sensor to control the operation of the Cascade.

Communication between the Leader water heater and the Member water heaters is accomplished by using shielded, 2-wire twisted pair communication cable. Connect one of the twisted pair wires to Cascade terminal A on each of the Low Voltage Connection boards, and the other wire of the twisted pair to Cascade terminal B on each of the Low Voltage Connection Boards. Connect the shield wires to one of the shield terminals on the Low Voltage Connection Boards (FIG. 8-3). If more than two water heaters are on the Cascade, daisy chain the wiring from the Cascade terminals on the second water heater to the Cascade terminals on the third water heater, then from the third to the fourth, and so on. The connections between heaters can be made in any order, regardless of the addresses of the water heaters. Try to keep each cable as short as possible.

# 8 Field wiring *(continued)*

Figure 8-3 Low Voltage Field Wiring Connections



## 9 Condensate disposal

### Condensate drain

1. This water heater is a high efficiency appliance that produces condensate.
2. The bottom of the water heater has a 1/2 inch pipe for connection of a 1/2 inch PVC pipe (FIG. 9-1).
3. Slope condensate tubing down and away from the water heater into a drain or condensate neutralizing filter. Condensate from the Armor wall mount water heater will be slightly acidic (typically with a pH from 3 to 5). Install a neutralizing filter if required by local codes.

A Neutralizer Kit is available from the factory.

4. Do not expose condensate line to freezing temperatures.
5. Use only plastic tubing or piping as a condensate drain line (FIG. 9-1).
6. Leave the top of the tee assembly installed in the unit open, this is needed as a vacuum break. The blocked drain switch will shut the water heater down before any condensate can flow out of the tee.

**NOTICE**

Use materials approved by the authority having jurisdiction. In the absence of other authority, PVC and CPVC pipe must comply with ASTM D1785 or D2845. Cement and primer must comply with ASME D2564 or F493. For Canada use CSA or ULC certified PVC or CPVC pipe, fittings, and cement.

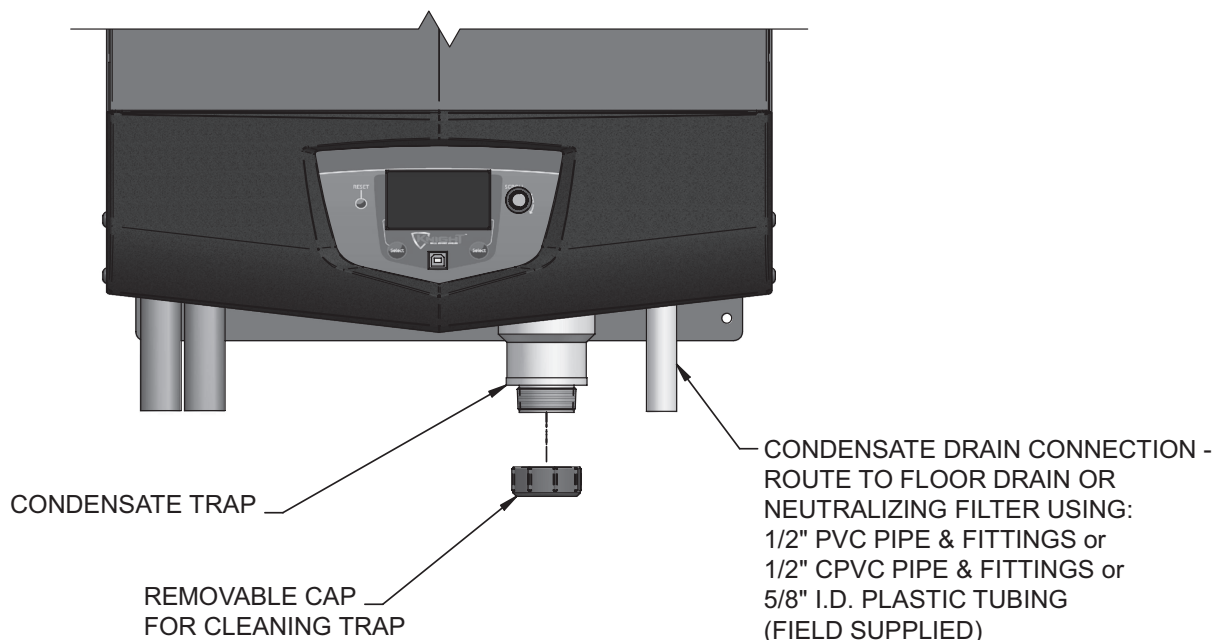
**NOTICE**

To allow for proper drainage on large horizontal runs, a second line vent may be required and tubing size may need to increase to 1 inch.

The condensate line must remain unobstructed, allowing free flow of condensate. If condensate is allowed to freeze in the line or if the line is obstructed in any other manner, condensate can exit from the water heater tee, resulting in potential water damage to property.

7. A condensate removal pump is required if the water heater is below the drain. When installing a condensate pump, select one approved for use with condensing water heaters and furnaces. The pump should have an overflow switch to prevent property damage from condensate spillage. The switch should be wired in series with the blocked drain switch inside the water heater (see FIG. 10-1 on page 53).

Figure 9-1 Condensate Disposal



# 10 Start-up

## Check/control water chemistry

**NOTICE**

Conduct water quality testing prior to installing the appliance. Various solutions are available to adjust water quality.

See the following table for properly operating the water heater with the appropriate water chemistry. Good water quality will help extend the life of the appliance by reducing the effects of scale build-up and corrosion.

**Table 10A Water Chemistry**

WATER CHEMISTRY		
Specification	Range	Requirement
Hardness	< 5 gpg	Follow recommendations detailed below (See Notice 3)
	5 to 12 gpg	Use Table 6C for pump recommendation
	12 to 15 gpg	Use Table 6C for pump recommendation
	> 15 gpg	Water softening system required (See Notice 4)
Dissolved Solids	< 350 ppm	Hardness level must be met
pH Level	6.5 to 8.5	Acceptable range
Chloride	< 150 ppm	Acceptable range

**NOTICE**

- Do not use the water heater to directly heat swimming pool or spa water.
- At initial fill and during water heater start-up and testing, check system thoroughly for any leaks. Repair all leaks before proceeding further.
- When water hardness levels are less than 5 gpg or 85.5 mg/l, the following is recommended:
  - Flush and clean existing water heating system prior to installation.
  - Inspect and, if necessary, replace the anodes in any existing tanks.
  - Install a Y-strainer on the inlet of each water heater as detailed in Section 6.
  - Limit the run time of the hot water recirculation loop.
  - Filter the hot water recirculation loop to a level of 10 microns. **CAUTION:** Check recirculation pump size to verify it is sized for filter addition and upsize if necessary.
- When water softener is required, a Template Assisted Crystallization system is recommended.

## Check for gas leaks

**WARNING**

Before starting the water heater, and during initial operation, smell near the floor and around the water heater for gas odorant or any unusual odor. Remove the top access panel and smell the interior of the water heater enclosure. Do not proceed with startup if there is any indication of a gas leak. Use an approved leak detection solution. Repair any leaks at once.

**WARNING**

DO NOT adjust gas valve outlet pressure. The gas valve is factory set for the correct outlet pressure. This setting is suitable for natural gas and propane, requiring no field adjustment. Attempting to alter the gas valve outlet pressure could result in damage to the valve, causing potential severe personal injury, death, or substantial property damage.

**WARNING**

Propane water heaters only – Your propane supplier mixes an odorant with the propane to make its presence detectable. In some instances, the odorant can fade, and the gas may no longer have an odor. Before startup (and periodically thereafter), have the propane supplier verify the correct odorant level in the gas.

## Inspect/fill condensate system

### Inspect/check condensate lines and fittings

- Inspect the condensate drain line, condensate PVC fittings and condensate trap.

### Fill condensate trap with water

- Remove the bezel as depicted in FIG. 8-1 on page 48 of this manual.
- Remove the PVC cap retaining screw from the PVC cap (FIG. 10-1).
- Remove the 2 inch PVC cap with the switch located at the top of the trap (FIG. 10-1).
- Fill with fresh water until the water begins to pour out of the drain.
- Replace the cap. Press the cap onto the trap until the cap makes contact with the drain.
- Replace the retaining screw.
- Reinstall bezel.

**WARNING**

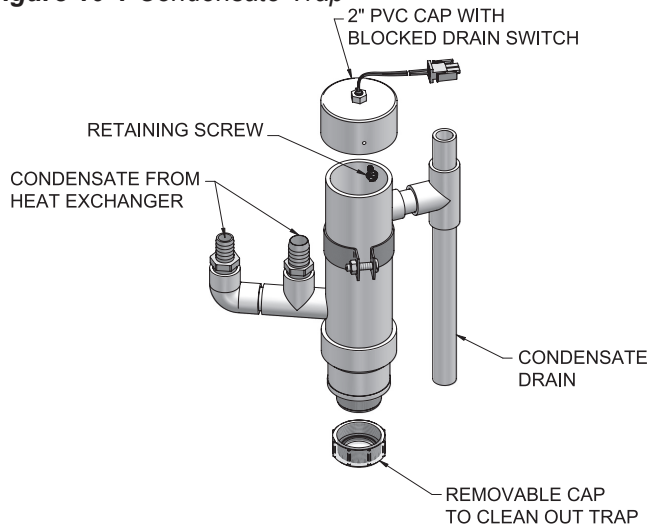
The condensate trap (FIG. 10-1) must be filled with water during all times of water heater operation to avoid flue gas emission from the condensate drain line. Failure to fill the trap could result in severe personal injury or death.

### Clean/Inspect Trap Assembly

- Remove the clean out cap on the bottom of the trap. Let the condensate and any debris drain out.
- Refill the trap according to the instructions above.

# 10 Start-up

Figure 10-1 Condensate Trap



## Final checks before starting the water heater

- ❑ Read the Armor Water Heater Service Manual to familiarize yourself with SMART SYSTEM control module operation. Read this manual, page 55 for proper steps to start the water heater.
- ❑ Verify the water heater and system are full of water and all system components are correctly set for operation.
- ❑ Verify the preparation procedures of Section 10, pages 53 and 54 have been completed.
- ❑ Fill the vent condensate trap with water (removing the retaining screw in order to remove the 2 inch PVC cap with the switch located at the top of the trap). Replace the cap. Press the cap onto the trap until the cap makes contact with the drain. Replace the retaining screw.
- ❑ Verify electrical connections are correct and securely attached.
- ❑ Inspect vent piping and air piping for signs of deterioration from corrosion, physical damage or sagging. Verify air piping and vent piping are intact and correctly installed per this manual.

## Start the water heater

1. Read and follow the Operating instructions in FIG. 10-2 on page 55.

## If water heater does not start correctly

1. Check for loose connections, blown fuse or service switch off?
2. Is water heater water temperature above 200°F?
3. Is tank thermostat or tank set point set below tank temperature?
4. Is gas turned on at meter or water heater?
5. Is incoming gas pressure less than 4 inches w.c.?

If none of the above corrects the problem, refer to the Troubleshooting Section of the Armor Water Heater Service Manual.

## Check system and water heater

### ❑ Check water piping

1. Check system piping for leaks. If found, shut down the water heater and repair immediately. (See WARNINGS on pages 53 and 54 (startup) regarding failure to repair leaks.)
2. Check Delta T. Reference Section 6 - *System Piping* on page 38 for more information regarding Delta T.
3. Vent any remaining air from the system using manual vents. Air in the system will interfere with circulation and cause heat distribution problems and noise.

### ❑ Check vent piping and air piping

1. Check for gastight seal at every connection, seam of air piping, and vent piping.

**⚠ WARNING** Venting system must be sealed gastight to prevent flue gas spillage and carbon monoxide emissions, which will result in severe personal injury or death.

### ❑ Check gas piping

1. Check around the water heater for gas odor following the procedure on page 44 of this manual (*Connecting Gas Supply Piping*).

**⚠ WARNING** If you discover evidence of any gas leak, shut down the water heater at once. Find the leak source with a bubble test and repair immediately. Do not start the water heater again until corrected. Failure to comply could result in severe personal injury, death, or substantial property damage.

### ❑ Propane water heaters – verify conversion

1. Verify propane conversion has been completed per the Propane Conversion instructions.

**⚠ WARNING** DO NOT adjust gas valve outlet pressure. The gas valve is factory-set for the correct outlet pressure. This setting is suitable for natural gas and propane, requiring no field adjustment. Attempting to alter the gas valve outlet pressure could result in damage to the valve, causing potential severe personal injury, death, or substantial property damage.

**⚠ WARNING** Armor wall mount water heaters are typically shipped ready to fire on natural gas. Check water heater rating plate to determine which fuel the water heater is set for. If set to natural gas, it may be converted to LP by installing an orifice (see pages 12 thru 13). In order to operate on LP gas, an orifice **MUST BE** installed. Failure to comply could result in severe personal injury, death, or substantial property damage.

## Check flame and combustion

1. Remove the flue temperature sensor from the flue pipe connection. **Note:** Combustion measurements will be made at this point.

# 10 Start-up *(continued)*

Figure 10-2 Operating Instructions

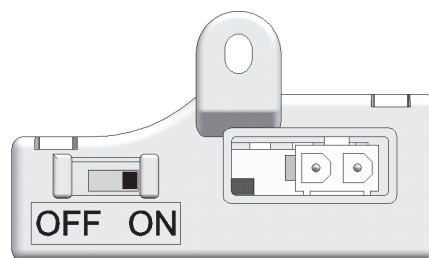
## FOR YOUR SAFETY READ BEFORE OPERATING

**WARNING:** If you do not follow these instructions exactly, a fire or explosion may result causing property damage, personal injury, or loss of life.

- A. This appliance does not have a pilot. It is equipped with an ignition device which automatically lights the burner. Do not try to light the burner by hand.
  - B. BEFORE OPERATING smell all around the appliance area for gas. Be sure to smell next to the floor because some gas is heavier than air and will settle on the floor.
- WHAT TO DO IF YOU SMELL GAS
- Do not try to light any appliance.
  - Do not touch any electric switch; do not use any phone in your building.
  - Immediately call your gas supplier from a neighbor's phone. Follow the gas supplier's instructions.
  - If you cannot reach your gas supplier, call the fire department.
- C. Use only your hand to move the gas control switch. Never use tools. If the switch will not move by hand, don't try to repair it, call a qualified service technician. Force or attempted repair may result in a fire or explosion.
  - D. Do not use this appliance if any part has been under water. Immediately call a qualified service technician to inspect the appliance and to replace any part of the control system and any gas control which has been under water.

## OPERATING INSTRUCTIONS

1. STOP! Read the safety information above on this label.
2. Set the thermostat to lowest setting.
3. Turn off all electric power to the appliance.
4. This appliance is equipped with an ignition device which automatically lights the burner. Do not try to light the burner by hand.
5. Remove front door.
6. Move switch to the "OFF" position.
7. Wait five (5) minutes to clear out any gas. If you then smell gas, STOP! Follow "B" in the safety information above this label. If you don't smell gas, go to next step.
8. Move the switch to the "ON" position.
9. Install front door.
10. Turn on all electric power to appliance.
11. Set thermostat to desired setting.
12. If the appliance will not operate, follow the instructions "To Turn Off Gas To Appliance" and call your service technician or gas supplier.



## TO TURN OFF GAS TO APPLIANCE

1. Set the thermostat to lowest setting.
2. Turn off all electric power to the appliance if service is to be performed.
3. Remove front door.
4. Move the switch to the "OFF" position.
5. Install front door.

# 10 Start-up

## Check flame and combustion *(continued)*

- Place the water heater into the active position by pressing the RIGHT SELECT [ON] key (FIG. 11-1, page 62).
- Locate the pinhole button below the RESET button on the display board (FIG. 11-1). Insert a thin wire (such as a paper clip) into the hole and press the button once and hold for 5 seconds to place the water heater into Service Mode. In Service Mode the water heater will fire at ignition speed and will then modulate up to full fire.
- Insert the probe from a combustion analyzer into the hole left by the removal of the flue temperature sensor.
- Once the water heater has modulated up to full fire, measure the combustion. The values should be in the range listed in Table 10B below. The CO levels should be less than 150 ppm for a properly installed unit.

If the combustion is not within the specified range, reference the Troubleshooting Section of the Armor Water Heater Service Manual for possible causes and corrective actions.

**Table 10B Flue Products Chart**

Natural Gas		Propane	
CO <sub>2</sub>	O <sub>2</sub>	CO <sub>2</sub>	O <sub>2</sub>
8.0% - 10%	3.0% - 6.5%	10.0% - 11%	4.1% - 5.4%

- Once the combustion analysis is complete, test the safety shutoff device by turning the manual shutoff valve to the OFF position and ensuring that the water heater shuts down and registers an alarm. Open the manual shutoff valve and reset the control.
- Turn the main power off to the water heater and replace the flue temperature sensor into the flue pipe connection.
- Place the water heater back into normal operation.

**⚠ WARNING** You must replace the flue gas temperature sensor to prevent flue gas spillage into the room. Failure to comply could result in severe personal injury, death, or substantial property damage.

## Set water heater operation

### Set tank set point temperature

**NOTICE**

Please note that the brackets ([ ]) denote screen status.

The NAVIGATION dial may be used during normal operation to adjust the tank set point temperature.

- From the Status Screen press the NAVIGATION dial.
- Press the NAVIGATION dial then rotate the NAVIGATION dial to adjust the temperature.
- Once the desired temperature is displayed, press the RIGHT SELECT [SAVE] key.
- Press the RIGHT SELECT [HOME] key to upload the changes.
- If the RIGHT SELECT [SAVE] key is not pressed, the new settings will be discarded.

### Verify WHR circulator mode

When the tank thermostat or tank sensor calls for heat, the SMART SYSTEM control will turn on the water heater pump. When the call for heat ends, the water heater pump will continue to run for a period of time. This pump delay is set at the factory to 60 seconds. If a shorter or longer delay is desired, the appropriate parameter in the control must be changed. See the Armor Water Heater Service Manual for a detailed explanation of this procedure.

# 10 Start-up *(continued)*

## Set clock

**NOTICE**

Please note that the brackets ([ ]) denote screen status.

The SMART SYSTEM control has a built-in clock that it uses for its night setback feature and for logging events. This clock must be set when the water heater is installed, and anytime the water heater has been powered off for more than 4 hours. Use the following procedure to set the clock:

1. Press and hold the LEFT SELECT [MENU] key for at least 5 seconds.
2. The display changes to read [PASSWORD], with four (4) zeros below it.
3. Press the RIGHT SELECT [SAVE] key.
4. The display will then show a menu with the time and date and temperature unit.
5. Press the NAVIGATION dial twice.
6. Turn the NAVIGATION dial to adjust the hours. Press the NAVIGATION dial.
7. Turn the NAVIGATION dial to adjust the minutes. Press the NAVIGATION dial.
8. Turn the NAVIGATION dial to adjust the month. Press the NAVIGATION dial.
9. Turn the NAVIGATION dial to adjust the date. Press the NAVIGATION dial.
10. Turn the NAVIGATION dial to adjust the year. Press the RIGHT SELECT [SAVE] key.
11. Press the RIGHT SELECT [HOME] key.

**NOTICE**

The internal clock does not adjust for Daylight Savings Time and therefore, will require a manual adjustment.

The clock is automatically updated whenever a PC is connected and the Win Pro-Installer program is started.

## Configuration of the cascade

**NOTICE**

Please note that the brackets ([ ]) denote screen status.

When installed in a Cascade system, the individual controls must be programmed for cascade operation. This is accomplished by accessing the control parameters.

Press the [MENU] key for at least five (5) seconds. Input the Installer code as described in the Armor Service Manual. Once the control parameters have been accessed, use the NAVIGATION dial to select the Control Mode parameters. Press the NAVIGATION dial to access these parameters.

Rotate the NAVIGATION dial to select the parameter "Cascade Address". Press the NAVIGATION dial to access this parameter. Each appliance in the Cascade system must be programmed with its own address. The water heater designated as the Leader will have an address of 0. The remaining water heaters in the Cascade will be Members and have addresses from 1 - 7. Rotate the NAVIGATION dial to select the appropriate address. Press the RIGHT SELECT [SAVE] key.

Press the RIGHT SELECT [HOME] key to upload the address into the control. Repeat this procedure for all water heaters in the Cascade, designating the Leader control and the Member controls.

**Note:** A tank sensor must be installed when operating Armor wall mount water heaters in Cascade.

# 11 Operating information

## General

### How the water heater operates

The Armor wall mount water heater uses an advanced stainless steel heat exchanger and electronic control module that allows fully condensing operation. The blower pulls in air and pushes flue products out of the water heater through the heat exchanger and flue piping. The control module regulates blower speed to control the water heater firing rate. The gas valve senses the amount of air flowing into the water heater and allows only the right amount of gas to flow.

### Control inputs and outputs

#### Tank thermostat / tank sensor

Either of these inputs will tell the water heater to provide heat to the water tank. If a tank sensor is connected, the SMART SYSTEM control will ignore the tank thermostat.

#### 0 - 10VDC input (set point or power)

The Armor wall mount water heater can be controlled by a Building Management System (BMS) using a 0 - 10 VDC signal. The control can be configured by the installer to use this signal to either control set point or firing rate. This signal can be sent to the heater through ModBus as well.

## Temperature control

### Modulation

The Armor wall mount water heater is capable of modulating its firing rate from a minimum of 20% to a maximum of 100%. The firing rate is dictated by the hot water draw and various other temperature limitations.

### Night setback

The controller may be programmed to reduce the DHW set point during certain times each week. Seven different start and stop times per week may be programmed for the DHW setback.

### Flame current support

To prevent nuisance shutdowns when the water heater is firing at minimum rates, the control will increase fan speed when the flame signal drops too low.

## Protection features

### Outlet temperature, flue temperature, and temperature rise limiting

The outlet temperature is monitored by the water heater outlet temperature sensor. When the outlet temperature exceeds 185°F, the unit will reduce the fan speed. If the outlet water temperature exceeds 195°F the control will shut the unit down until it cools off.

The control module monitors the flue temperature by a sensor located in the flue exhaust. If the flue temperature exceeds 215°F the control will reduce the maximum fan speed. If the flue temperature exceeds 225°F (107°C) the control will shut the unit down. The unit will restart automatically once the flue temperature drops 10°F (6°C) and the minimum off time has expired.

The control monitors the temperature difference between the inlet and the outlet sensor. If the control determines the temperature rise is too high, it will either reduce the firing rate or shut down the unit as appropriate.

The unit will restart automatically once the temperature difference has dropped below the allowable rise and the minimum off time has expired.

### Freeze protection

DO NOT install the water heater in a room likely to freeze.

The following integral feature of the SMART SYSTEM control module provides some protection for the water heater.

- The SMART SYSTEM control module provides freeze-up protection as follows when the water heater water temperature drops below 45°F:
- Below 45°F, the water heater pump operates constantly.
- Below 37°F, the water heater turns on.
- The water heater and pump will turn off if water heater water temperature rises above 45°F.



**CAUTION** This feature of the SMART SYSTEM control module does not eliminate the possibility of freezing. The installation must still use recognized design, installation and maintenance practice to prevent freeze potential for the water heater.

# 11 Operating information

(continued)

## Monitor external limits

Connections are provided on the connection board for external limits such as flow switch, gas pressure switches, and a louver proving switch. The SMART SYSTEM will shut off the burner and inhibit relighting whenever any of these external limits open.

## Runtime and alarm outputs

The water heater provides dry contacts for indicating when the water heater is running, and when it is unable to operate.

## Runtime and cycle counting

The control uses a timer to monitor the total hours of burner operation. The timer monitors the time the water heater is firing.

The control uses two (2) ignition counters to monitor the amount of water heater cycles. The first counter counts all ignitions of the control. The second counter counts only ignition attempts that have failed.

## Service reminder

The control can be programmed for service reminder notification. This notification will become active when either a set amount of time has expired, or a set amount of running hours or cycles has expired (all adjustable by the installer). The display will show a Maintenance Required screen. The installer's name and phone number can be programmed into the control. This information will appear on the Maintenance Required screen. The service reminder notification can be reset or disabled by the installer.

The time dependent feature has been disabled by the manufacturer. To enable this feature change the parameter to the desired time interval, reference the Armor Service Manual for details regarding parameters.

## Error logging

The control will hold in memory the last 10 lockouts as well as the last 10 blockings. The date and time of the occurrence will be recorded as well. Only the 10 most current occurrences of each will be held in memory.

## Water heater temperature regulation

### Operating temperature (target)

The SMART SYSTEM control module senses water temperature and regulates water heater firing and firing rate to achieve a target temperature. The target temperature can be set between 60°F and 190°F.

### High limit operations

The Armor wall mount water heater is equipped with a fixed automatic reset high limit and an adjustable manual reset high limit. The automatic reset high limit has a set point of 200°F and the manual reset high limit has a maximum set point of 210°F.

When the outlet temperature exceeds 200°F, the automatic high limit action occurs. The water heater shuts down until the outlet water temperature cools below 190°F, and a 60 second timer has expired. If the outlet temperature continues to increase, the manual reset high limit action will occur at 210°F.

## High limit test procedure

### NOTICE

Please note that the brackets ([ ]) denote screen status.

1. From the Status Screen, press the NAVIGATION dial to access the Set Points Screen.
2. Press the LEFT SELECT (LIMITS) key.
3. Select the manual reset high limit (MRHL) by rotating the NAVIGATION dial counterclockwise, then press the NAVIGATION dial.
4. Decrease the set point of the MRHL to below the current outlet temperature (or to its minimum setting, whichever is higher) by turning the NAVIGATION dial counterclockwise.
5. Press the RIGHT SELECT [SAVE] key.
6. Press the RIGHT SELECT [HOME] key. The new parameter will upload to the control.
7. If the current outlet temperature is above the new MRHL set point, the MRHL will function causing water heater lockout. If this occurs, skip to Step 10.
8. If the current outlet temperature is below the new MRHL set point, locate the pinhole (SERVICE button) below the RESET button on the display board. Insert a thin probe (such as a paper clip) into the hole and press the button continuously for five (5) seconds to place the water heater into Service Mode. In Service Mode, the water heater will fire at ignition speed and will then modulate up to full fire.
9. Once the outlet temperature rises up to the MRHL set point, the MRHL will function, causing the water heater to shut down and lock out.
10. Repeat Steps 1, 2 and 3.
11. Set the MRHL to the appropriate set point by turning the NAVIGATION dial clockwise.
12. Repeat Steps 5 and 6.
13. Press the RESET button to clear the lockout.
14. If needed, press the RIGHT SELECT [STOP] key to exit Service Mode.

## Low water cutoff protection

1. The SMART SYSTEM control module uses temperature sensing of both supply and return areas of the heat exchanger. If the flow rate is too low or the outlet temperature too high, the control module modulates and shuts the water heater down. This ensures water heater shutdown in the event of low water or low flow conditions.
2. Some codes and jurisdiction may accept these integral features of the control in lieu of requiring an additional limit control or low water cutoff. Consult local jurisdiction to determine. A low water cutoff is available from the factory ([100208652](tel:100208652)).

# 11 Operating information

## Cascade

When multiple water heaters are installed, they can be wired together in a cascade sequence. A maximum of eight water heaters can be controlled from a single control. In this application one water heater would be designated as the Leader control and all others would be designated as Member controls. The Leader control can be programmed to use Lead/Lag or Efficiency Optimization control methods.

Once the Leader water heater receives a call for heat from a tank sensor, BMS or ModBus, the control will determine what the set point will be. A fixed temperature set point can be programmed into the control. See page 56 of this manual to program the set point.

If the water temperature at the tank is less than the set point - differential, then the control will initiate a call for heat on the Cascade (see the Armor Water Heater Service Manual for an explanation of the differential). The Leader will energize the lead water heater on the Cascade. For a new startup this will be the Leader water heater.

### Sequence of the cascade

To equalize the runtime of all water heaters on the Cascade, the firing sequence will automatically be changed at set intervals.

For the first 24 hours after initializing the Cascade, the sequence will be changed every hour. After that the sequence will be changed once every 24 hours. The switching on/off sequence will be as follows:

TIME	SWITCHING ON SEQUENCE
Start	L-M1-M2-M3-M4-M5-M6-M7
+ 1 hour	M1-M2-M3-M4-M5-M6-M7-L
+ 2 hours	M2-M3-M4-M5-M6-M7-L-M1

If a water heater locks out, it will automatically be given the lowest priority for the rest of that 24 hour period.

### Night Setback operation with cascade

Night Setback operation of the water heaters within the Cascade is available. Programming of the Night Setback will be done through the Leader water heater. Refer to the Armor Water Heater Service manual for information regarding Night Setback.

## Access modes

### User

The user can adjust tank target temperatures by pressing the NAVIGATION dial when “↓SETPOINTS” is flashing at the bottom of the display. The date, time, and the temperature units can also be changed (see page 57).

### Installer

Most parameters are available only to the installer, accessible by entering the installer password, see the Armor Water Heater Service Manual.

**Saving parameters** (reference the Parameter Table in the Armor Water Heater Service Manual)

**NOTICE** Please note that the brackets ([ ]) denote screen status.

### To save parameters and exit programming:

Press the RIGHT SELECT [SAVE] key and then press the RIGHT SELECT [HOME] key.

















### To enter a parameter and continue programming:

Press the RIGHT SELECT [SAVE] key 1 time to return to the parameter listings; press again to return to the menu listings. Remember to press the RIGHT SELECT [HOME] key when finished programming in order to save the changes made.

See the Armor Water Heater Service Manual for a detailed description of parameters and access modes.

# 11 Operating information *(continued)*

## Sequence of operation

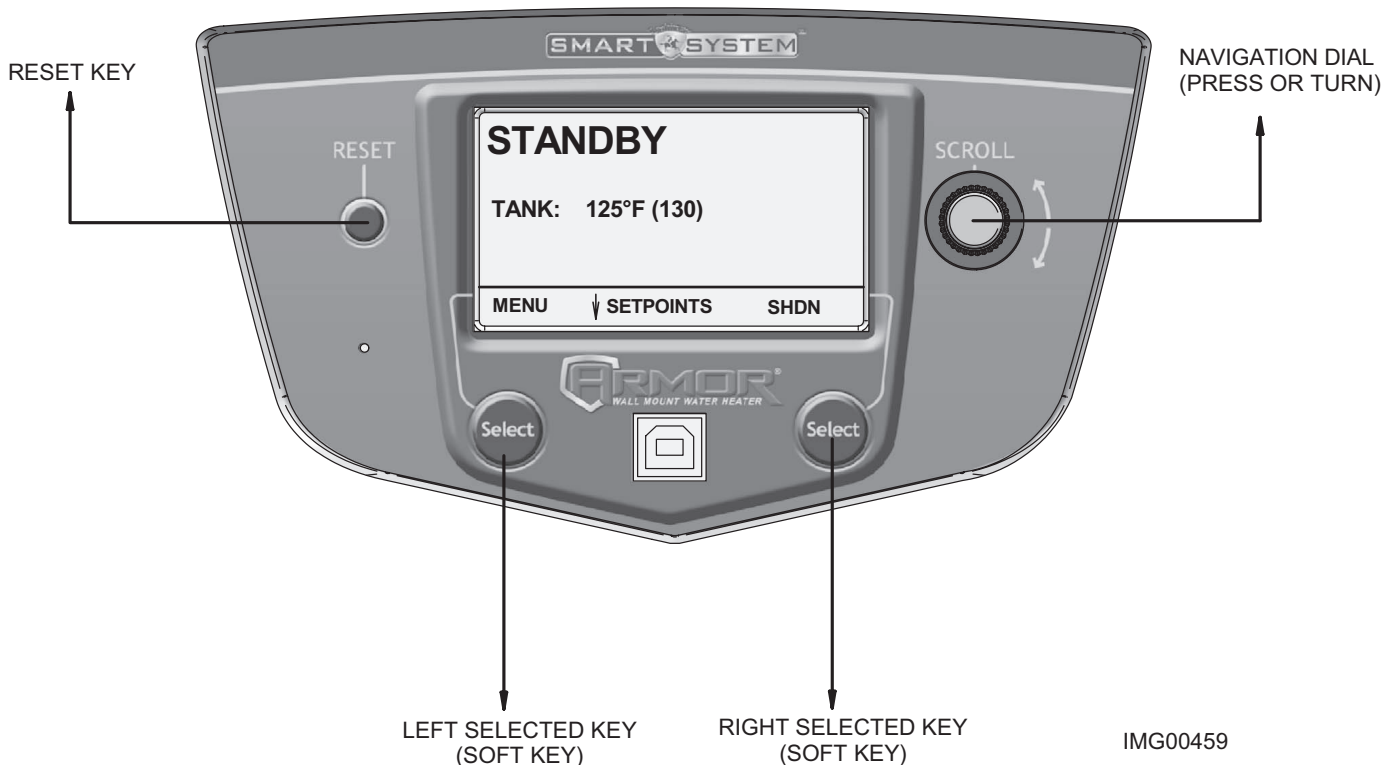
OPERATION	DISPLAY
1. The control will turn on the water heater pump (always ON except in Night Setback). The flow switch and/or LWCO must close.	<p><b>START</b> </p> <p>TANK: 119°F(125)</p> <hr/> <p>MENU  SCREEN SHDN</p>
2. The control turns on power to the louver relay. The louver proving switch, air pressure switch, and blocked drain switch must close.	<p><b>START</b> </p> <p>TANK: 119°F(125)</p> <hr/> <p>MENU  SCREEN SHDN</p>
3. The control starts the prepurge cycle.	<p><b>PRE-PURGE</b> </p> <p>TANK: 119°F(125)</p> <hr/> <p>MENU  SCREEN SHDN</p>
4. The control starts the trial for ignition by firing the spark electrode and opening the gas valve.	<p><b>IGNITION</b> </p> <p>TANK: 119°F(125)</p> <hr/> <p>MENU  SCREEN SHDN</p>
5. If flame is not detected after the sparking ends, the control will perform a postpurge, then start another prepurge cycle and try to light the burner again.	<p><b>POST-PURGE</b> </p> <p>TANK: 119°F(125)</p> <hr/> <p>MENU  SCREEN SHDN</p>
6. If flame is detected, it holds the firing rate steady for a few seconds to let the flame stabilize, then it begins to modulate the firing rate based on a set point or some other command (such as a 0-10V BMS signal).	<p><b>42%</b>  </p> <p>TANK: 119°F(125)</p> <hr/> <p>MENU  SCREEN SHDN</p>
7. Once the call for heat is satisfied, the control will turn off the burner. The blower will continue to run during the postpurge.	<p><b>POST-PURGE</b></p> <p>TANK: 128°F(125)</p> <hr/> <p>MENU  SCREEN SHDN</p>
8. The water heater pump will continue to run for its respective pump delay time before turning off. A 60 second anti-cycle period will start, which will delay any new call for heat until it times out.	<p><b>BLOCKED</b></p> <p>ANTI-CYCLING</p> <p>TANK: 128°F(125)</p> <hr/> <p>MENU  SCREEN SHDN</p>
9. In Standby, ready to start a new cycle.	<p><b>STANDBY</b></p> <p>TANK: 128°F(125)</p> <hr/> <p>MENU  SETPOINT SHDN</p>

# 11 Operating information

## SMART SYSTEM™ Armor wall mount water heater control module

Use the control panel (FIG. 11-1) to set temperatures, operating conditions, and monitor water heater operation.

Figure 11-1 Control Panel

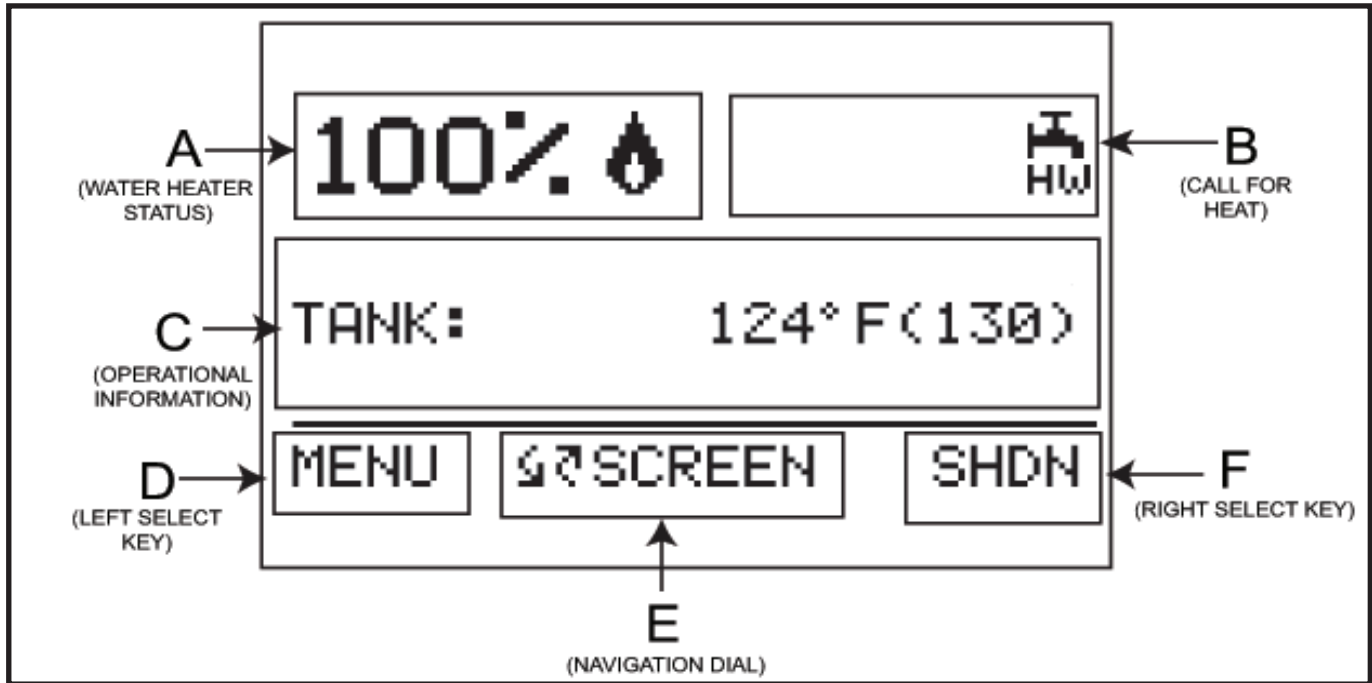


The information on the bottom of the display shows the functions of the two SELECT keys (on either corner), and the NAVIGATION dial (in the center):

- MENU = Left SELECT Key
- SETPOINTS = NAVIGATION Dial - Pressing Down
- SHDN = Right SELECT Key

# 11 Operating information *(continued)*

Figure 11-2 Status Display Screen



### Status Display Screens

Section	Display	Description
A (Water heater Status Bar)	STANDBY	The unit has not received a call for heat from a remote thermostat nor has it received a call for heat from a DHW thermostat.
	START	The unit has begun a burn cycle and is checking all safety circuits.
	PREPURGE	The unit has initiated a prepurge period on a call for heat.
	IGNITION	The unit has begun a spark period to ignite the main burner.
	% 🔥	The unit has fired and is running at the displayed percentage.
	POSTPURGE	The call for heat has been satisfied and the unit runs the fan for an additional postpurge period to clear the combustion chamber and vent system of residual flue products.
	SHUTDOWN	The unit has been placed in the OFF position.
	SETPOINT MET	The controlled temperature has exceeded its set point and its offset.
	BLOCKED	The unit has detected a condition that has temporarily interrupted the current call for heat.
B (Call for Heat Indicators)	HW	The tank thermostat or sensor has a call for heat.
	⏏	The unit is being controlled by a 0 - 10V BMS signal.
	⏏	The member unit is supplying heat while in Cascade Mode.

# 11 Operating information

Status Display Screens (cont'd)		
Section	Display	Description
<b>C</b> <b>(Operational Information)</b>	<b>TANK:</b>	The temperature read by the tank sensor (if connected).
	<b>INLET TEMP:</b>	The temperature read at the inlet to the heat exchanger.
	<b>OUTLET TEMP:</b>	The temperature read at the outlet of the heat exchanger.
	<b>DELTA T:</b>	The temperature difference between the inlet and the outlet of the heat exchanger.
	<b>FLUE TEMP:</b>	The temperature read by the flue sensor.
	<b>FLAME CURRENT:</b>	The current measured by the flame sense circuit.
	<b>FAN SPEED:</b>	The speed of the combustion blower.
	<b>SYSTEM PUMP:</b>	The status of the recirculation pump output.
	<b>DHW PUMP:</b>	The status of the DHW pump output.
	<b>BMS VOLTAGE:</b>	The voltage received from a BMS system.
	<b>BLR PUMP OUTPUT:</b>	The speed signal sent to a variable speed water heater pump in percent.
	<b>RATE OUTPUT:</b>	A 0 - 10V signal indicating the firing rate of the water heater.
	<b>DHW RUN HOURS:</b>	The total hours of operation in the DHW Mode.
	<b>DHW CYCLES:</b>	The total burner cycles in the DHW Mode.
	<b>LAST 10 FAULTS NO:</b>	The last 10 lockouts.
<b>D</b> <b>(LEFT SELECT key function)</b>	<b>MENU</b>	Press and hold the LEFT SELECT key for 5 seconds to enter the Menu Screen.
	<b>EXIT</b>	Press the LEFT SELECT key to exit the current screen or setting.
	<b>YES</b>	Press the LEFT SELECT key to confirm that the water heater needs to shutdown.
	<b>LIMITS</b>	Press the LEFT SELECT key to enter the screen that allows you to adjust the limit settings.
	<b>HOME</b>	Press the LEFT SELECT key to return to the Status Screen and upload parameter changes.

# 11 Operating information *(continued)*

Status Display Screens <i>(cont'd)</i>		
Section	Display	Description
<b>E</b> <b>(NAVIGATION</b> <b>Dial Function)</b>	↻ SCREEN	Turning the NAVIGATION dial will select the next or previous Status Screen.
	↓ NEXT	Pressing the NAVIGATION dial will show the next fault, NSB (Night Setback) trigger, or ramp delay setting.
	↓ SELECT	Pressing the NAVIGATION dial will select the setting indicated by the cursor.
	↓ SETPOINTS	Pressing the NAVIGATION dial will display the Set Points Screen.
	↻ SCROLL	Turning the NAVIGATION dial will move the cursor up or down.
	↻ ADJUST	Turning the NAVIGATION dial will increase or decrease the current setting.
<b>F</b> <b>(RIGHT SELECT</b> <b>key function)</b>	SHDN	Press the RIGHT SELECT key to turn the water heater OFF.
	ON	Press the RIGHT SELECT key to turn the water heater ON.
	NO	Press the RIGHT SELECT key to cancel the shutdown operation.
	SAVE	Press the RIGHT SELECT key to save the current change.
	HOME	Press the RIGHT SELECT key to return to the Status Screen and upload parameter changes.

# 12 Maintenance

## Maintenance and annual startup

Table 12A Service and Maintenance Schedules

<b>Service technician</b> (see the following pages for instructions)		<b>Owner maintenance</b>	
<b>ANNUAL START-UP</b>	<b>General:</b>	<b>Daily</b>	<ul style="list-style-type: none"> <li>• Check water heater area</li> </ul>
	<ul style="list-style-type: none"> <li>• Address reported problems</li> <li>• Inspect interior; clean and vacuum if necessary;</li> <li>• Clean condensate trap and fill with fresh water</li> <li>• Check for leaks (water, gas, flue, condensate)</li> <li>• Verify flue and air lines in good condition and sealed tight</li> <li>• Check system water pressure/system piping/expansion tank</li> <li>• Check control settings</li> <li>• Check ignition and flame sense electrodes (sand off any deposits; clean and reposition)</li> <li>• Check wiring and connections</li> <li>• Perform start-up checkout and performance verification per Section 10 of this manual.</li> <li>• Flame inspection (stable, uniform)</li> <li>• Flame signal (at least 10 microamps at high fire)</li> <li>• Clean the heat exchanger if flue temperature is more than 54°F above return water temperature.</li> <li>• Check Delta T (Temperature Rise)</li> </ul>	<b>Monthly</b>	<ul style="list-style-type: none"> <li>• Check vent piping</li> <li>• Check air piping</li> <li>• Check air and vent termination screens</li> <li>• Check relief valve</li> <li>• Check condensate drain system</li> <li>• Check automatic air vents</li> <li>• Check Delta T (Temperature Rise)</li> <li>• Remove debris from Y-strainer per manufacturer's instructions</li> <li>• Check building recirculation filter (if filter required)</li> <li>• Check and clean any debris or obstruction from bird screens (if equipped)</li> </ul>
	<p><b>If combustion or performance indicate need:</b></p> <ul style="list-style-type: none"> <li>• Clean heat exchanger</li> <li>• Remove and clean burner using compressed air only</li> <li>• Clean the blower wheel</li> </ul>	<b>Every 6 months</b>	<ul style="list-style-type: none"> <li>• Check water heater piping (gas and water) for leaks</li> <li>• Operate relief valve</li> <li>• Check water chemistry</li> </ul>

# 12 Maintenance *(continued)*

**⚠ WARNING** Follow the service and maintenance procedures given throughout this manual and in component literature shipped with the water heater. Failure to perform the service and maintenance could result in damage to the water heater or system. Failure to follow the directions in this manual and component literature could result in severe personal injury, death, or substantial property damage.

**⚠ WARNING** The water heater should be inspected annually only by a qualified service technician. In addition, the maintenance and care of the water heater designated in Table 12A and explained on the following pages must be performed to assure maximum water heater efficiency and reliability. Failure to service and maintain the water heater and system could result in equipment failure.

**⚠ WARNING** Electrical shock hazard – Turn off power to the water heater before any service operation on the water heater except as noted otherwise in this instruction manual. Failure to turn off electrical power could result in electrical shock, causing severe personal injury or death.

## Address reported problems

1. Inspect any problems reported by the owner and correct before proceeding.

## Inspect water heater area

1. Verify that water heater area is free of any combustible materials, gasoline and other flammable vapors and liquids.
2. Verify that air intake area is free of any of the contaminants listed in Section 1 - Determine Water Heater Location. If any of these are present in the water heater intake air vicinity, they must be removed. If they cannot be removed, reinstall the air and vent lines per this manual and the Armor Water Heater Service Manual.

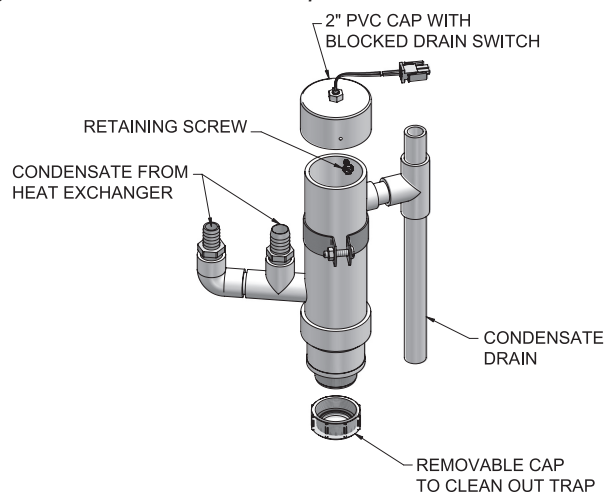
## Inspect water heater interior

1. Remove the front access cover and inspect the interior of the water heater.
2. Vacuum any sediment from inside the water heater and components. Remove any obstructions.

## Clean condensate trap

1. Remove the clean out cap on the bottom of the trap. Let the condensate and any debris drain out.
2. Fill with fresh water until the water begins to pour out of the drain.
3. Replace the clean out cap and resume operation.

Figure 12-1 Condensate Trap



**⚠ WARNING** The condensate trap must be filled with water during all times of water heater operation to avoid flue gas emission from the condensate drain line. Failure to fill the trap could result in severe personal injury or death.

## Check all piping for leaks

**⚠ WARNING** Eliminate all system or water heater leaks. Leaking water may cause severe property damage.

1. Inspect all water and gas piping and verify to be leak free.
2. Look for signs of leaking lines and correct any problems found.
3. Check gas line using the procedure found in Section 7 - Gas Connections.

## Flue vent system and air piping

1. Visually inspect the entire flue gas venting system and air piping for blockage, deterioration or leakage. Repair any joints that show signs of leakage. Verify that air inlet pipe is connected and properly sealed.
2. Verify that water heater vent discharge and air intake are clean and free of obstructions.
3. Verify that bird screens are clean and free of debris or obstruction.

# 12 Maintenance

**⚠ WARNING** Failure to inspect for the above conditions and have them repaired can result in severe personal injury or death.

## Check water system

1. Verify all system components are correctly installed and operational.
2. Check the cold fill pressure for the system. Verify it is correct (must be a minimum of 12 PSI).
3. Watch the system pressure as the water heater heats up (during testing) to ensure pressure does not rise too high. Excessive pressure rise indicates expansion tank sizing or performance problem.
4. Inspect automatic air vents and air separators. Remove air vent caps and briefly push valve to flush vent. Replace caps. Make sure vents do not leak. Replace any leaking vents.

## Check expansion tank

1. Expansion tanks provide space for water to move in and out as the heating system water expands due to temperature increase or contracts as the water cools. Tanks may be open, closed or diaphragm or bladder type. See Section 6 - System Piping for suggested best location of expansion tanks and air eliminators.

## Check water heater relief valve

1. Inspect the relief valve and lift the lever to verify flow. Before operating any relief valve, ensure that it is piped with its discharge in a safe area to avoid severe scald potential. Read Section 6 - System Piping before proceeding further.

**⚠ WARNING** Safety relief valves should be re-inspected **AT LEAST ONCE EVERY THREE YEARS**, by a licensed plumbing contractor or authorized inspection agency, to ensure that the product has not been affected by corrosive water conditions and to ensure that the valve and discharge line have not been altered or tampered with illegally. Certain naturally occurring conditions may corrode the valve or its components over time, rendering the valve inoperative. Such conditions are not detectable unless the valve and its components are physically removed and inspected. This inspection must only be conducted by a plumbing contractor or authorized inspection agency – not by the owner. Failure to re-inspect the water heater relief valve as directed could result in unsafe pressure buildup, which can result in severe personal injury, death, or substantial property damage.

**⚠ WARNING** Following installation, the valve lever must be operated **AT LEAST ONCE A YEAR** to ensure that waterways are clear. Certain naturally occurring mineral deposits may adhere to the valve, rendering it inoperative. When manually operating the lever, water will discharge and precautions must be taken to avoid contact with hot water and to avoid water damage. Before operating lever, check to see that a discharge line is connected to this valve directing the flow of hot water from the valve to a proper place of disposal. Otherwise severe personal injury may result. If no water flows, valve is inoperative. Shut down the water heater until a new relief valve has been installed.

2. After following the above warning directions, if the relief valve weeps or will not seat properly, replace the relief valve. Ensure that the reason for relief valve weeping is the valve and not over-pressurization of the system due to expansion tank waterlogging or undersizing.

## Inspect ignition and flame sense electrodes

1. Remove the ignition and flame sense electrodes from the water heater heat exchanger access cover.
2. Remove any deposits accumulated on the ignition/flame sense electrode using sandpaper. If the electrodes cannot be cleaned satisfactorily, replace with new ones.
3. Replace ignition/flame sense electrode, making sure gasket is in good condition and correctly positioned.

## Check ignition ground wiring

1. Inspect water heater ground wire from the heat exchanger access cover to ground terminal strip.
2. Verify all wiring is in good condition and securely attached.
3. Check ground continuity of wiring using continuity meter.
4. Replace ground wires if ground continuity is not satisfactory.

## Check all water heater wiring

1. Inspect all water heater wiring, making sure wires are in good condition and securely attached.

## Check control settings

1. Set the SMART SYSTEM control module display to Parameter Mode and check all settings. See Section 1 of the Armor Service Manual. Adjust settings if necessary. See Section 1 of the Armor Service Manual for adjustment procedures.
2. Check settings of external limit controls (if any) and adjust if necessary.

# 12 Maintenance *(continued)*

## Perform start-up and checks

1. Start water heater and perform checks and tests specified in Section 10 - Start-up.
2. Verify cold fill pressure is correct and that operating pressure does not go too high.

## Check burner flame

1. Inspect flame through observation window.
2. If the flame is unsatisfactory at either high fire or low fire, turn off water heater and allow water heater to cool down. Remove the burner and clean it thoroughly using a vacuum cleaner or compressed air. Do not use compressed air to clean burner if performed inside a building.
3. Remove the burner, reference FIG. 12-2 below.
4. When replacing the burner, ensure gasket is in good condition and positioned correctly (FIG. 12-2).

## Check flame signal

1. At high fire the flame signal shown on the display should be at least 10 microamps.
2. A lower flame signal may indicate a fouled or damaged flame sense electrode. If cleaning the flame sense electrode does not improve, ground wiring is in good condition, and ground continuity is satisfactory, replace the flame sense electrode.
3. See Section 3 - Troubleshooting in the Armor Service Manual for other procedures to deal with low flame signal.

## Review with owner

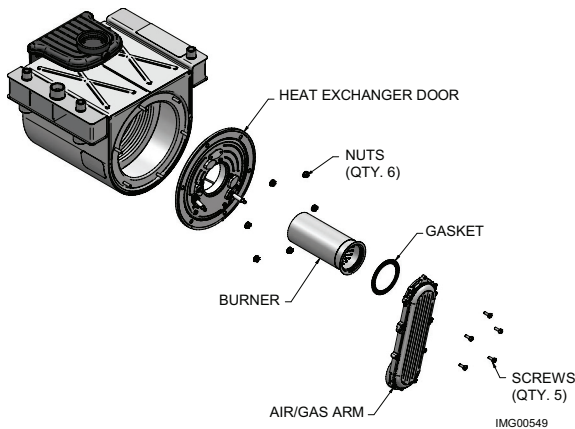
1. Emphasize the need to perform the maintenance schedule specified in this manual.
2. Remind the owner of the need to call a licensed contractor should the water heater or system exhibit any unusual behavior.
3. Remind the owner to follow the proper shutdown procedure and to schedule an annual start-up.

## Cleaning heat exchanger

For recommended materials; including brush, appropriate extension(s), refractory cover, and detailed instructions see Table 12B - Heat Exchanger Cleaning Kits.

1. Shut down water heater:
  - Follow the "To Turn Off Gas to Appliance" instructions for the water heater in Section 10 - Startup.
  - Do not drain the water heater unless it will be exposed to freezing temperatures. If using freeze prevention fluid in system, do not drain.
2. Allow time for the water heater to cool to room temperature if it has been firing.
3. Remove the nuts securing the heat exchanger access cover to the heat exchanger and set aside.
4. Remove the heat exchanger access cover, burner, and gas/air arm assembly.

**Figure 12-2 Burner Assembly**



# 12 Maintenance

**WARNING** The water heater contains ceramic fiber materials. Use care when handling these materials per instructions in the Service Manual. Failure to comply could result in severe personal injury.

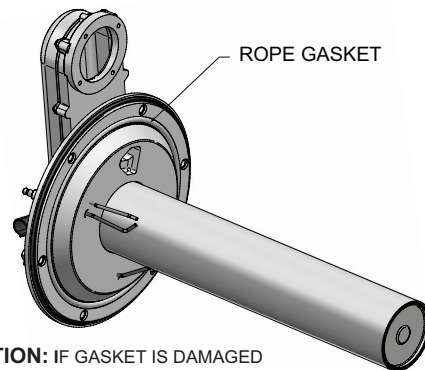
5. Remove the condensate hose from the heat exchanger end. Connect a field supplied 3/4" diameter hose to a drain pan. Using field supplied means, cover the refractory in the back of the combustion chamber of the heat exchanger.
6. Use a vacuum cleaner to remove any accumulation on the water heater heating surfaces. Do not use any solvent.
7. Brush the heat exchanger while dry using a nylon bristle brush. **Caution:** DO NOT use a metal brush. Re-vacuum the heat exchanger.
8. Finish cleaning using a clean cloth dampened with warm water. Rinse out debris with a low pressure water supply.
9. Allow the heat exchanger to thoroughly dry.
10. Remove the field supplied rear refractory cover from the back of the combustion chamber of the heat exchanger and reassemble.
11. Close isolation valves on piping to isolate water heater from system. Attach a hose to the water heater drain and flush water heater thoroughly with clean water by using purging valves to allow water to flow through the water make-up line to the water heater.
12. Perform start-up and check-out procedures in the Check Flame and Combustion - Section 10 - Startup on pages 54 and 56 of this manual.
13. Replace the access cover and restore water heater to operation.

**Table 12B Heat Exchanger Cleaning Kits**

Model	Kit Number	Part Number	Component Description
125 - 201	100157627	100208804	Rear Refractory Cover
		100208309*	Nylon 4" Wheel Brush*
		100162566	3mm Allen Wrench
		100208311	1/4" x 24" Drill Extension

**CAUTION** \* Do NOT use a metal brush. Only use the kit provided brush or an equivalent replacement nylon brush.

**Figure 12-3 Rope Gasket - Heat Exchanger Door**



**CAUTION:** IF GASKET IS DAMAGED DO NOT REUSE, THE HEAT EXCHANGER DOOR MUST BE REPLACED.

**NOTICE** Rope gasket is intended for sealing combustion (see FIG. 12-3). If gasket is damaged DO NOT reuse, the heat exchanger door must be replaced. Consult factory for replacement heat exchanger door (kit 100173749).

## Check Delta T

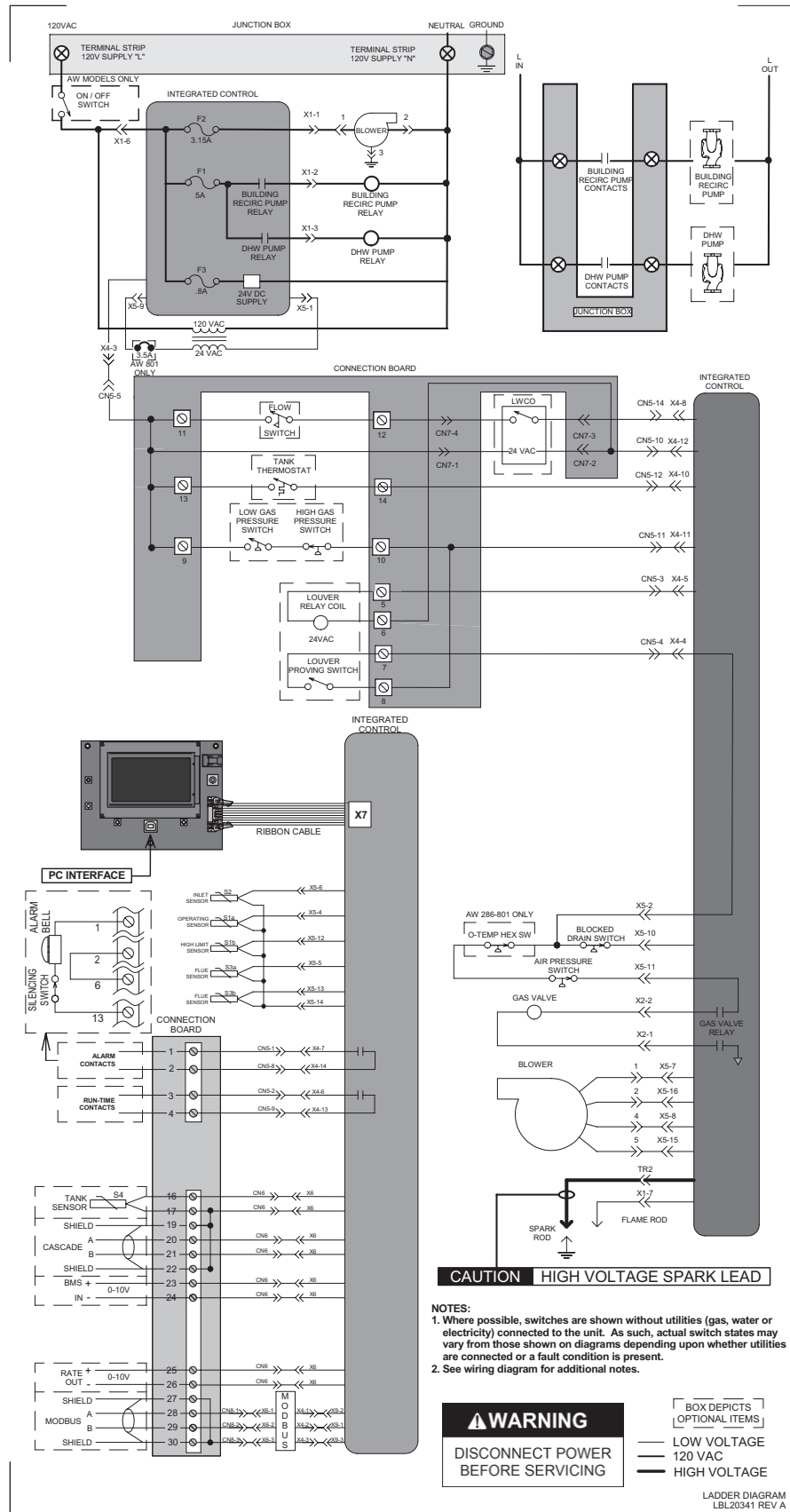
1. Check Delta T. Reference Section 6 - System Piping on page 38 for more information regarding Delta T.

## Oiled bearing circulators

1. The circulator shipped with the Armor wall mount water heater is water-lubricated. No oiling is required.
2. Check other circulators in the system. Oil any circulators requiring oil, following circulator manufacturer's instructions. Over-oiling will damage the circulator.

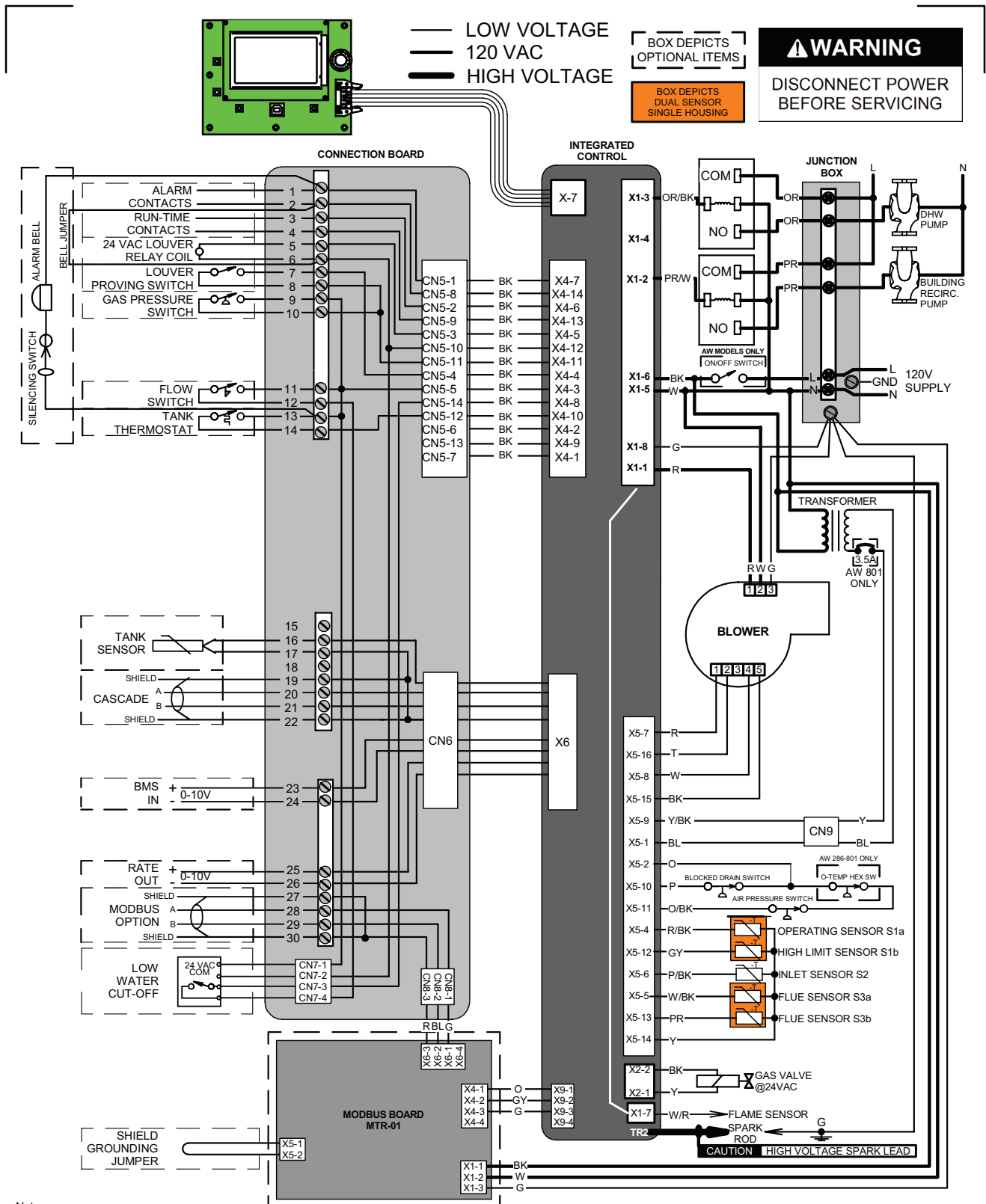
# 13 Diagrams

Figure 13-1 Ladder Diagram



# 13 Diagrams

Figure 13-2 Wiring Diagram



Notes:

1. All wiring must be installed in accordance with: local, state, provincial and national code requirements per either N.E.C. in USA or C.S.A. in Canada.
2. If any original equipment wire as supplied with the appliance must be replaced, it must be replaced with wire having same wire gauge (AWG) and rated for a minimum of 105°C. Exceptions: Replacement high voltage spark lead and ribbon cables must be purchased from the factory. Use of a non-approved spark lead or ribbon cables can lead to operational problems which could result in non-repairable damage to the integrated controller or other components.
3. Actual connector block locations may vary from those shown on diagrams. Refer to actual components for proper connector block locations when using diagrams to troubleshoot unit.

# Notes

---





**Revision Notes:** Revision A (ECO #C11832) initial release.

Revision B (ECO #C11814) reflects updates made to the polypropylene de-rate amounts (R06316).

Revision C (ECO #C14411) reflects the removal of the page number reference on page 14, the addition of the corrosive contaminant warning on pages 3 and 7 (R06313), changes made to Table 7A - Gas Piping Chart on page 43 (R6621), along with updating the flex piping information (R06464) on page 19.

Revision D (ECO #C14713) reflects high altitude updates.

Revision E (ECO #C16461) reflects the update of piping diagram images on pages 36 - 40 to change check valve location(s).

Revision F (ECO #C16894) reflects the removal of temperature and pressure gauge information on page 63 (ECR R07715), the update of water content in the Ratings table on page 6 (ECR R07744), the regulation of pressure drop information on pages 42 and 43 and the addition of Grundfos pump to page 35, Table 6C.

Revision G (ECO C17263) reflects the update of images on pages 39 and 40 to reflect text corrections.

Revision H (PCP #3000002702 / CN #500003259) reflects an update to the wiring diagram on page 69. SAP numbers have been updated.

Revision J (PCP #3000005143 / CN #500006666) reflects the addition of new venting category information on pages 23 through 25.

Revision K (PCP #3000004438 / CN #500005574) reflects an update to the flue temperatures on page 58.

Revision L (PCP# 3000006133 / CN# 500007549) reflects the addition of a PVC-DWV vent fitting in Table 3B on page 18.

Revision M (PCP #3000008814 / CN #500008824) reflects changes in the water chemistry information on pages 38-43, 53, and 66.

Revision N (PCP #3000010783 / CN #500010520) reflects an update to the low water flow requirement information on pages 38 and 58.

Revision P (PCP #3000010953 / CN #5000010523) reflects an update to Table 6C on page 38.

Revision R (PCP #3000030779 / CN #500020179) reflects an update to the piping diagrams, Table 6C, Table 10A, and Table 12A.

Revision T (PCP #3000031846 / CN #500020868) reflects an update to the ratings table on page 6.

Revision U (PCP #3000038559 / CN# 500026649) reflects an update to the water heater sensor material number.

Revision V (PCP #3000041012 / CN #500028988) reflects updates on pages 19 and 28.

Revision W (PCP #3000043534 / CN #500031265) reflects an update to water heater standards involving vent systems, minimum terminations, and bird screens.

Revision X (PCP #3000045219 / CN #500032730) reflects an update to FIG. 4-4A - 4-4B and Table 4B - 4C.

Revision Y (PCP #3000049033 / CN #500036140) Adding 201 Models

Revision AA (PCP #3000054410 / CN #500041125) reflects an update to the warnings on page 7.