

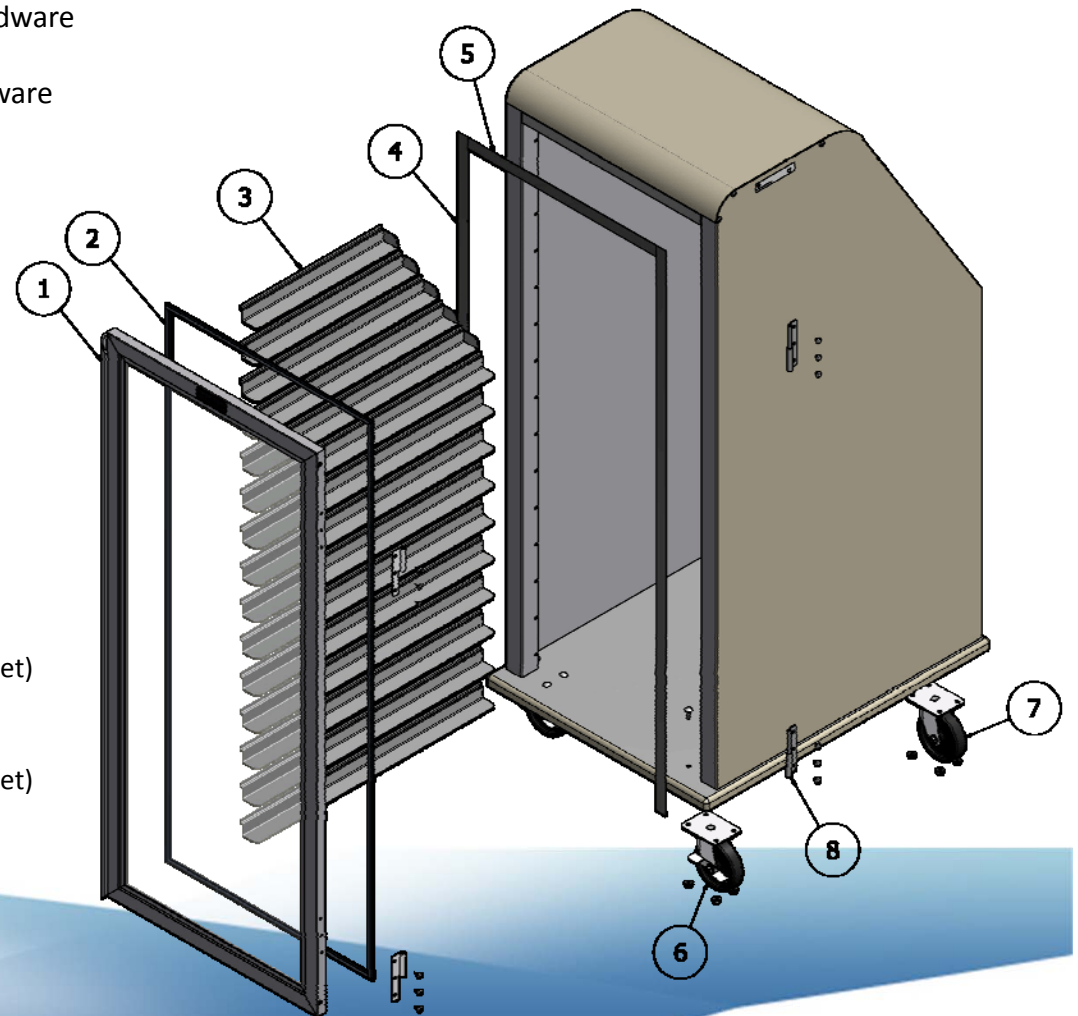
“New Style” Front Line Bread Display Cabinet

AFTER APRIL 1, 2011

CA57-RR15-CD-S-R (RIGHT HINGE)

CA57-RR15-CD-S-L (LEFT HINGE)

- 1) **DOOR-57-RR15-R (ITEM # 75872)**
Door w/ hinges on RIGHT, integrated handle w/ hardware
- DOOR-57-RR15-L (ITEM # 75069)**
Door w/ hinges on LEFT, integrated handle w/ hardware
- 2) **GASKETMAG2049 (ITEM # 72810)**
20" X 49" magnetic gasket, pre-formed
- 3) **RUNNERS (REFER TO PAGE 2 FOR DETAIL)**
- 4) **SS-STRIP-CA57-LG (ITEM # 75873)**
Stainless Steel Strip – Large
(order as each / 2 per cabinet)
- 5) **SS-STRIP-CA57-SM (ITEM # 75874)**
Stainless Steel Strip – Small (1 per cabinet)
- 6) **CAS-41PO-S-B (ITEM # 75886)**
4" Plate swivel caster with brake, each with hardware
- 7) **CAS-41PO-S (ITEM # 75885)**
4" Plate swivel caster – no brake, each with hardware
- 8) **HINGE-CA57-RH (ITEM # 73077)**
Slip hinge for RIGHT hinged cabinet
male/female w/ hardware (order as each / 2 per cabinet)
- HINGE-CA57-LH (ITEM # 73078)**
Slip hinge for LEFT hinged cabinet
male/female w/ hardware (order as each / 2 per cabinet)

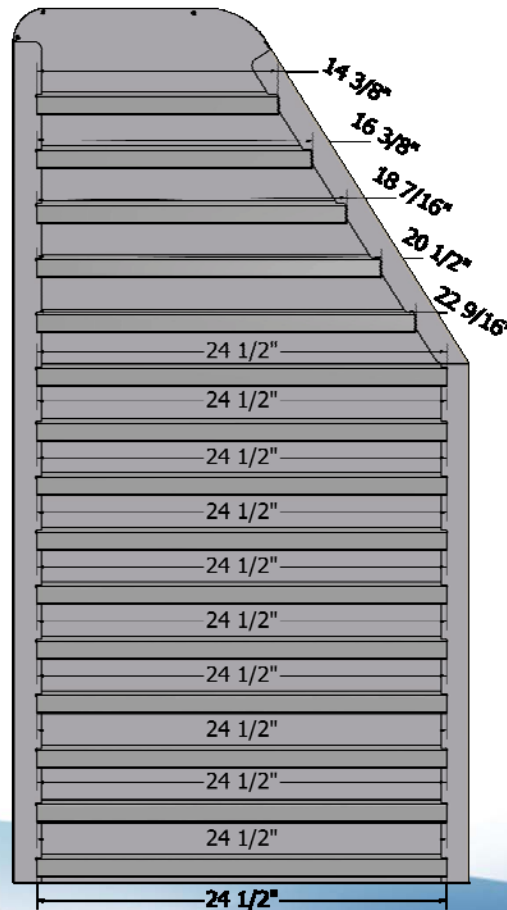


“New Style” Front Line Bread Display Cabinet

Runner Detail

INDIVIDUAL RUNNERS FROM 4/11 TO 2/14

- **RUNNER-CA57-14 (ITEM # 75877)**
Top Runners -14 3/8" Length – set of 2
- **RUNNER-CA57-16 (ITEM # 75878)**
2nd from Top -16 3/8" Length – set of 2
- **RUNNER-CA57-18 (ITEM # 73087)**
3rd from Top -18 7/16" Length –set of 2
- **RUNNER-CA57-20 (ITEM # 78010)**
4th from Top -20 1/2" Length – set of 2
- **RUNNER-CA57-22 (ITEM # 75879)**
5th from Top -22 9/16" Length – set of 2
- **RUNNER-CA57-24 (ITEM # 75881)**
Bottom 10 pair -24 1/2" Length – set of 2
- **CA57-RUNNER-KIT (ITEM # 75882)**
Full set of 15 pair – various sizes



RUNNER PANELS STARTING 2/14

- **PANEL-57-R**
Right runner panel
- **PANEL-57-L**
Left runner panel

