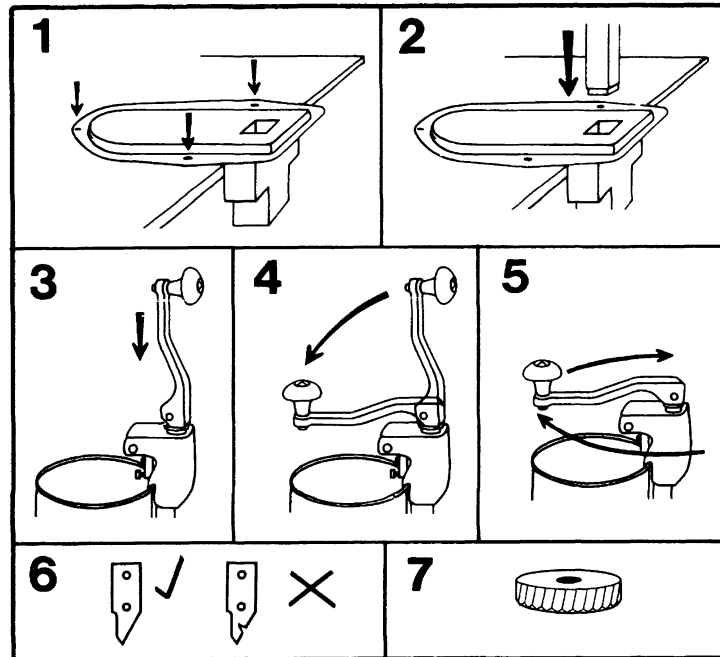




# EaziClean® Can Opener

Models BCO-50, BCO-60 and BCO-70



## HOW TO USE

PLEASE FOLLOW INSTRUCTIONS CAREFULLY.

1. Choose a convenient site with a firm work surface, and mount the base securely using the screws supplied. (Do not use a new can opener in an old base).  
On thin gauge tabletops we suggest that you fit a spacer plate underneath - this will prevent flexing of the top and possible spillage of can contents during opening.

### *Operation:*

2. With handle in vertical position engage bar in base.
3. Place can against bar and with a swift downward movement punch knife into can lid.
4. Lower the handle through 90°.
5. Crank clockwise to open can, then raise handle through 90° and lift opener to disengage opener from open can.
6. Check knife regularly by testing the leading edge with thumbnail. Any grooves or nicks will prevent clean removal of can lids. Replace damaged knife immediately.
7. Check gear teeth for wear - opener will slip if gear is worn. When changing gears, be sure that all component parts are clean before reassembly.

**Cleaning and Changing of Blades using the “Quick Release” System:**

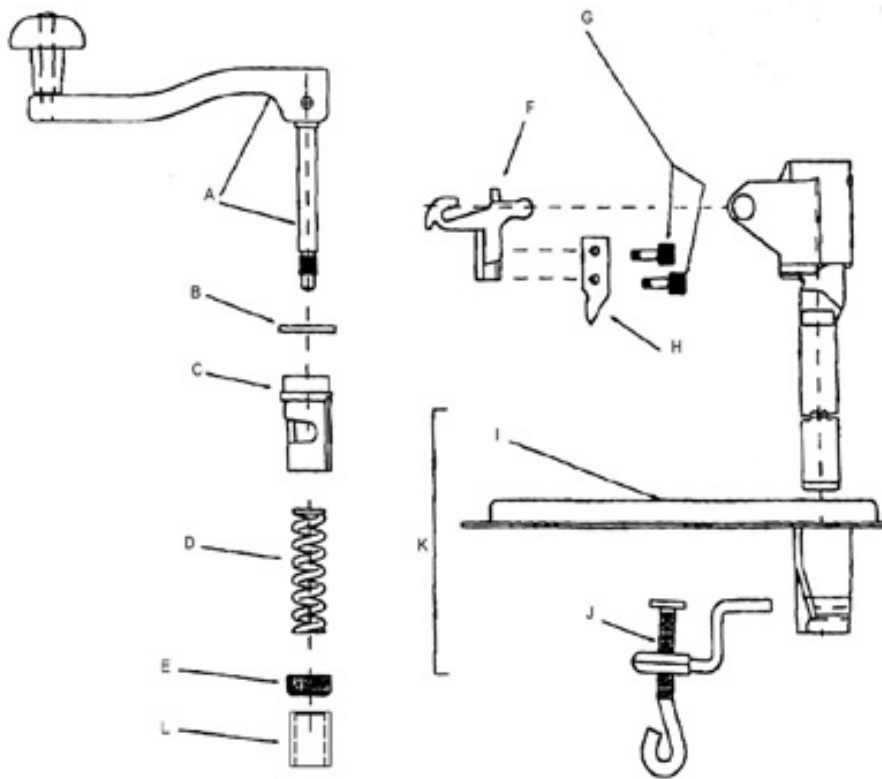
All EaziClean Models:

The patented Quick Release System is activated by pushing handle as shown on the right. This allows for fast and efficient removal of blade carrier assembly for increased hygiene and food safety. Blade is removed by loosening hand operated knurled screws.

Gear wheel and other components are removed by restricting gear while turning handle counter-clockwise.

Clean with hot water and a bristle brush.

Do not lubricate.



Spare parts and accessories for the EaziClean Can Openers

Letter	Part Number	Description
A	379093	Composite Handle Assembly BCO-50, BCO-60
A	379094	Stainless Steel Handle Assembly BCO-70
B	379095	Collar Washer BCO-50, BCO-60
C	379096	Reamed Collar BCO-50, BCO-60, BCO-70,
D	379097	Zinc Plated Spring BCO-50, BCO-60
D	379098	Stainless Steel Spring BCO-70
E	BCO-10	Gear for BCO-50, BCO-60, BCO-70
F	BCO-14	Quick Release Blade Carrier for BCO-50, BCO-60, BCO-70
G	BCO-16	Blade Screws & O-Ring Washers for BCO-50, BCO-60, BCO-70
H	BCO-11	Blade
I	BCO-3	Base
J	379090	Base Clamp Only
K	379089	Base & Clamp
L	379099	Bronze Bush BCO-50, BCO-60, BCO-70