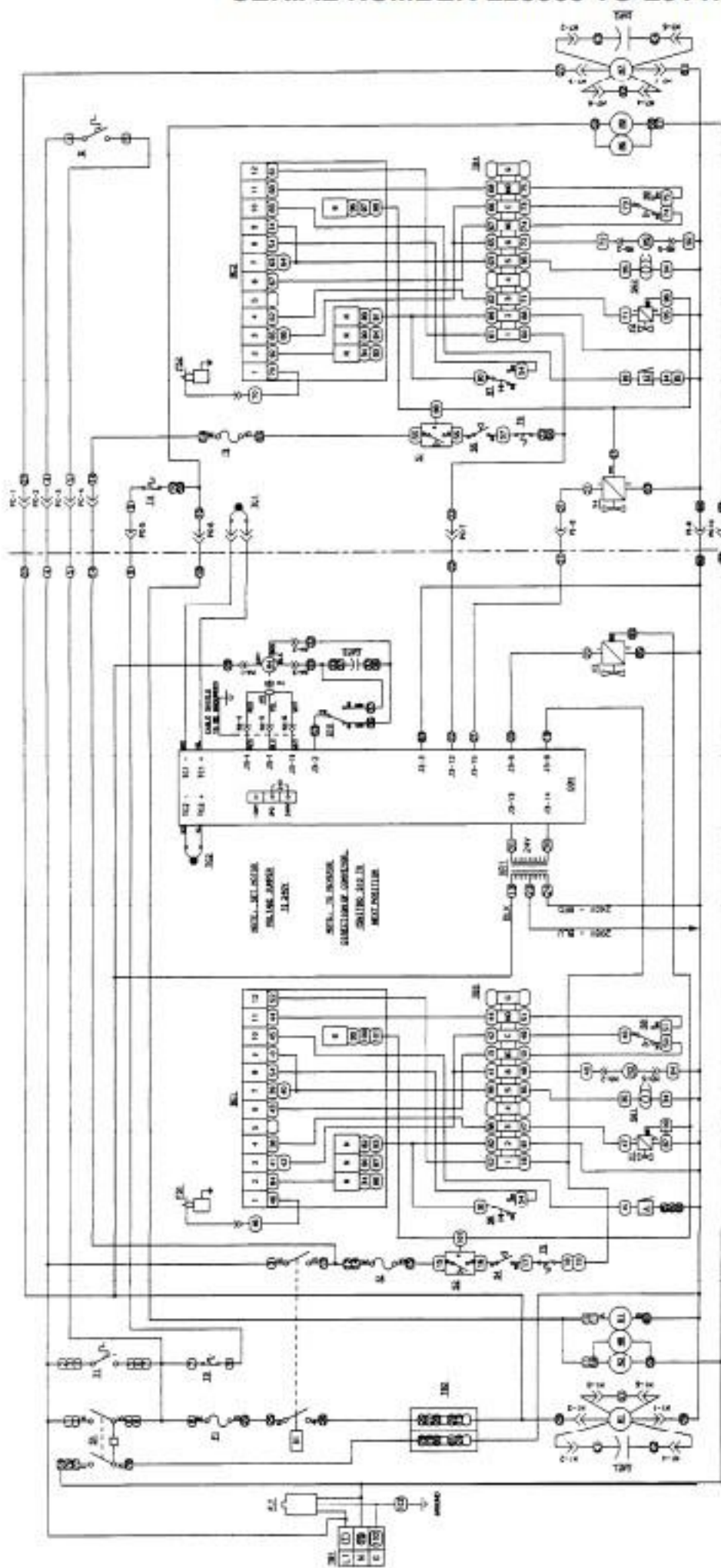


SCHEMATIC

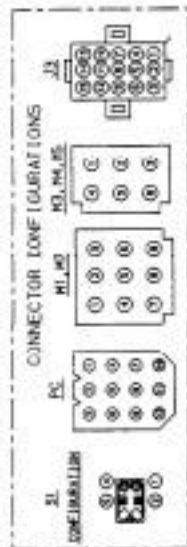
MODELS 1633-000-EA AND 1634-000-EA

SERIAL NUMBER L28563 TO L31478



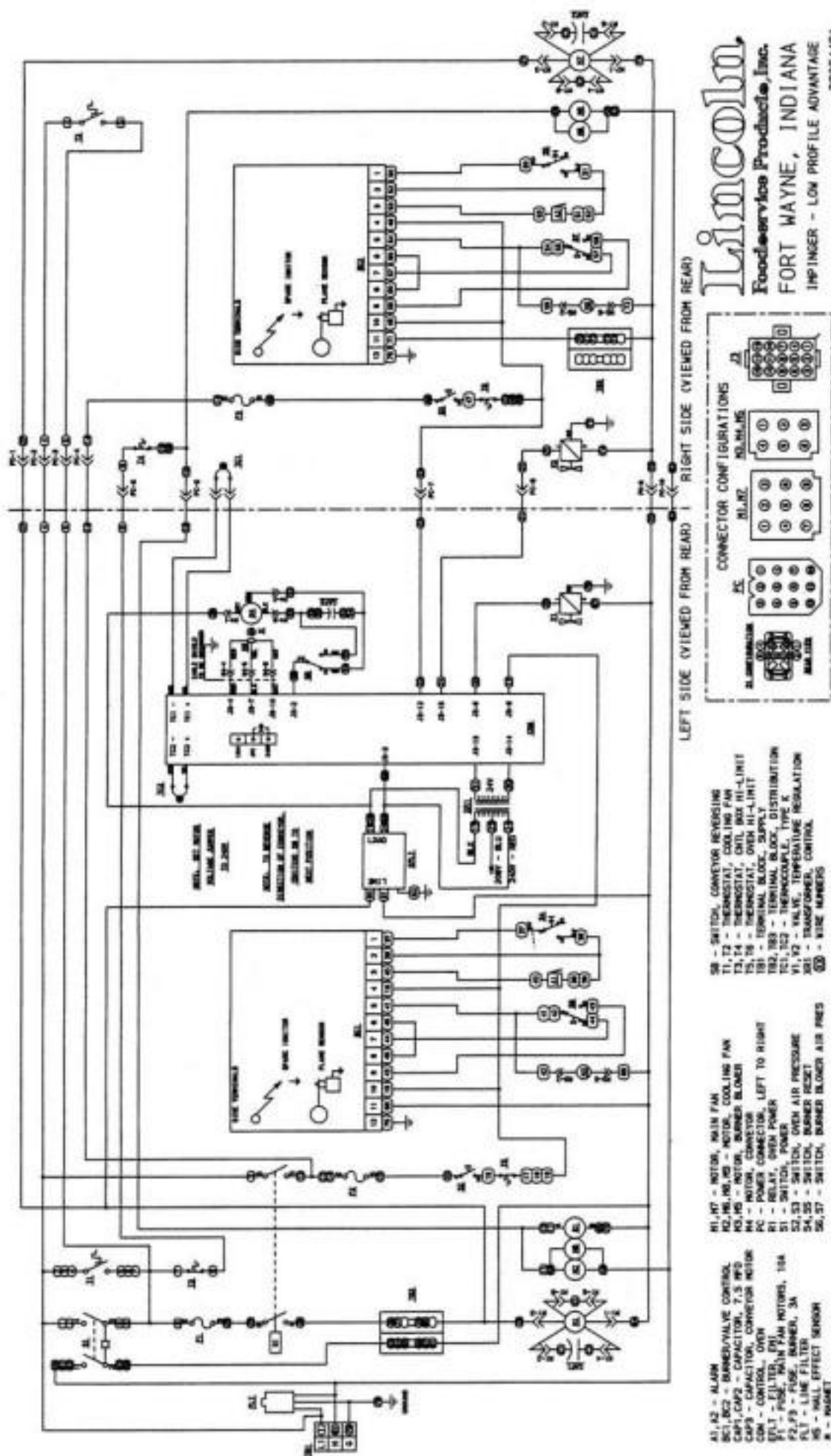
Lincoln
 Foodservice Freezers, Inc.
 FORT WAYNE, INDIANA
 IMPINGER - LOW PROFILE ADVANTAGE
 2866379A

LEFT SIDE (VIEWED FROM REAR) | RIGHT SIDE (VIEWED FROM REAR)

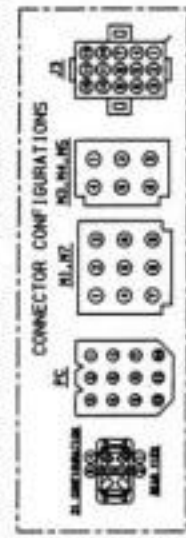


- A1, A2 - ALARM
- BE1, BE2 - BURGER DRINK
- CAP1, CAP2 - CAPACITOR, 7.5 MFD
- CAP3 - CAPACITOR, CONVEYOR MOTOR
- CON - CONTROL, ORN
- F1 - FUSE, MAIN FAN MOTORS, 10A
- F2, F3 - FUSE, BURNER, 3A
- FLT - LINE FILTER
- FS1, FS2 - FLAME SNOOR
- HS - HALL EFFECT SENSOR
- H - HANDET
- M, M7 - MOTOR, MAIN FAN
- M2, M3, M5 - MOTOR, COOLING FAN
- M4 - MOTOR, BLOWER
- M6 - MOTOR, CONVEYOR
- PC - PRIMER CONNECTOR, LEFT TO RIGHT
- R1 - RELAY, OVER FUSER
- S1 - SWITCH, POWER
- S2, S3 - SWITCH, GAS INLET PRESSURE
- S4, S5 - SWITCH, OVEN AIR PRESSURE
- S6, S7 - SWITCH, BURNER RESET
- S8, S9 - SWITCH, BURNER AIR PRESSURE
- S10 - SWITCH, CONVEYOR REVERSE
- S61, S62 - SPARK GENERATOR
- T1, T2 - THERMOSTAT, COOLING FAN
- T3, T4 - THERMOSTAT, DIAL BOX HI-LIMIT
- T5, T6 - THERMOSTAT, FREN HI-LIMIT
- TB1 - TERMINAL BLOCK, SUPPLY
- TB2, TB4 - TERMINAL BLOCK, DISTRIBUTION
- TC1, TC2 - THERMOCOUPLE, TYPE K
- V1, V2 - VALVE, MAIN I. PILOT
- V3, V4 - VALVE, TEMPERATURE REGULATION
- X11 - TRANSFORMER, CONTROL
- Ⓢ - WIRE MARKERS

SCHEMATIC
MODELS 1633-00-EA AND 1634-000-EA
SERIAL NUMBER L31479 AND ABOVE



Lincoln
Foodservice Products, Inc.
FORT WAYNE, INDIANA
IMP INGER - LOW PROFILE ADVANTAGE
 2806443A



- S8 - SWITCH, CONVEYOR REVERSING
- T1, T2 - THERMOSTAT, COOLING FAN
- T3, T4 - THERMOSTAT, COOLING FAN
- T5, T6 - THERMOSTAT, COOLING FAN
- T7, T8 - THERMOSTAT, COOLING FAN
- T9, T10 - THERMOSTAT, COOLING FAN
- T11, T12 - THERMOSTAT, COOLING FAN
- T13, T14 - THERMOSTAT, COOLING FAN
- T15, T16 - THERMOSTAT, COOLING FAN
- T17, T18 - THERMOSTAT, COOLING FAN
- T19, T20 - THERMOSTAT, COOLING FAN
- T21, T22 - THERMOSTAT, COOLING FAN
- T23, T24 - THERMOSTAT, COOLING FAN
- T25, T26 - THERMOSTAT, COOLING FAN
- T27, T28 - THERMOSTAT, COOLING FAN
- T29, T30 - THERMOSTAT, COOLING FAN
- T31, T32 - THERMOSTAT, COOLING FAN
- T33, T34 - THERMOSTAT, COOLING FAN
- T35, T36 - THERMOSTAT, COOLING FAN
- T37, T38 - THERMOSTAT, COOLING FAN
- T39, T40 - THERMOSTAT, COOLING FAN
- T41, T42 - THERMOSTAT, COOLING FAN
- T43, T44 - THERMOSTAT, COOLING FAN
- T45, T46 - THERMOSTAT, COOLING FAN
- T47, T48 - THERMOSTAT, COOLING FAN
- T49, T50 - THERMOSTAT, COOLING FAN
- T51, T52 - THERMOSTAT, COOLING FAN
- T53, T54 - THERMOSTAT, COOLING FAN
- T55, T56 - THERMOSTAT, COOLING FAN
- T57, T58 - THERMOSTAT, COOLING FAN
- T59, T60 - THERMOSTAT, COOLING FAN
- T61, T62 - THERMOSTAT, COOLING FAN
- T63, T64 - THERMOSTAT, COOLING FAN
- T65, T66 - THERMOSTAT, COOLING FAN
- T67, T68 - THERMOSTAT, COOLING FAN
- T69, T70 - THERMOSTAT, COOLING FAN
- T71, T72 - THERMOSTAT, COOLING FAN
- T73, T74 - THERMOSTAT, COOLING FAN
- T75, T76 - THERMOSTAT, COOLING FAN
- T77, T78 - THERMOSTAT, COOLING FAN
- T79, T80 - THERMOSTAT, COOLING FAN
- T81, T82 - THERMOSTAT, COOLING FAN
- T83, T84 - THERMOSTAT, COOLING FAN
- T85, T86 - THERMOSTAT, COOLING FAN
- T87, T88 - THERMOSTAT, COOLING FAN
- T89, T90 - THERMOSTAT, COOLING FAN
- T91, T92 - THERMOSTAT, COOLING FAN
- T93, T94 - THERMOSTAT, COOLING FAN
- T95, T96 - THERMOSTAT, COOLING FAN
- T97, T98 - THERMOSTAT, COOLING FAN
- T99, T100 - THERMOSTAT, COOLING FAN

- M1 - MOTOR, MAIN FAN
- M2 - MOTOR, BURNER BLOWER
- M3 - MOTOR, COOLING FAN
- M4 - MOTOR, BURNER BLOWER
- M5 - MOTOR, COOLING FAN
- M6 - MOTOR, COOLING FAN
- M7 - MOTOR, COOLING FAN
- M8 - MOTOR, COOLING FAN
- M9 - MOTOR, COOLING FAN
- M10 - MOTOR, COOLING FAN
- M11 - MOTOR, COOLING FAN
- M12 - MOTOR, COOLING FAN
- M13 - MOTOR, COOLING FAN
- M14 - MOTOR, COOLING FAN
- M15 - MOTOR, COOLING FAN
- M16 - MOTOR, COOLING FAN
- M17 - MOTOR, COOLING FAN
- M18 - MOTOR, COOLING FAN
- M19 - MOTOR, COOLING FAN
- M20 - MOTOR, COOLING FAN
- M21 - MOTOR, COOLING FAN
- M22 - MOTOR, COOLING FAN
- M23 - MOTOR, COOLING FAN
- M24 - MOTOR, COOLING FAN
- M25 - MOTOR, COOLING FAN
- M26 - MOTOR, COOLING FAN
- M27 - MOTOR, COOLING FAN
- M28 - MOTOR, COOLING FAN
- M29 - MOTOR, COOLING FAN
- M30 - MOTOR, COOLING FAN
- M31 - MOTOR, COOLING FAN
- M32 - MOTOR, COOLING FAN
- M33 - MOTOR, COOLING FAN
- M34 - MOTOR, COOLING FAN
- M35 - MOTOR, COOLING FAN
- M36 - MOTOR, COOLING FAN
- M37 - MOTOR, COOLING FAN
- M38 - MOTOR, COOLING FAN
- M39 - MOTOR, COOLING FAN
- M40 - MOTOR, COOLING FAN
- M41 - MOTOR, COOLING FAN
- M42 - MOTOR, COOLING FAN
- M43 - MOTOR, COOLING FAN
- M44 - MOTOR, COOLING FAN
- M45 - MOTOR, COOLING FAN
- M46 - MOTOR, COOLING FAN
- M47 - MOTOR, COOLING FAN
- M48 - MOTOR, COOLING FAN
- M49 - MOTOR, COOLING FAN
- M50 - MOTOR, COOLING FAN
- M51 - MOTOR, COOLING FAN
- M52 - MOTOR, COOLING FAN
- M53 - MOTOR, COOLING FAN
- M54 - MOTOR, COOLING FAN
- M55 - MOTOR, COOLING FAN
- M56 - MOTOR, COOLING FAN
- M57 - MOTOR, COOLING FAN
- M58 - MOTOR, COOLING FAN
- M59 - MOTOR, COOLING FAN
- M60 - MOTOR, COOLING FAN
- M61 - MOTOR, COOLING FAN
- M62 - MOTOR, COOLING FAN
- M63 - MOTOR, COOLING FAN
- M64 - MOTOR, COOLING FAN
- M65 - MOTOR, COOLING FAN
- M66 - MOTOR, COOLING FAN
- M67 - MOTOR, COOLING FAN
- M68 - MOTOR, COOLING FAN
- M69 - MOTOR, COOLING FAN
- M70 - MOTOR, COOLING FAN
- M71 - MOTOR, COOLING FAN
- M72 - MOTOR, COOLING FAN
- M73 - MOTOR, COOLING FAN
- M74 - MOTOR, COOLING FAN
- M75 - MOTOR, COOLING FAN
- M76 - MOTOR, COOLING FAN
- M77 - MOTOR, COOLING FAN
- M78 - MOTOR, COOLING FAN
- M79 - MOTOR, COOLING FAN
- M80 - MOTOR, COOLING FAN
- M81 - MOTOR, COOLING FAN
- M82 - MOTOR, COOLING FAN
- M83 - MOTOR, COOLING FAN
- M84 - MOTOR, COOLING FAN
- M85 - MOTOR, COOLING FAN
- M86 - MOTOR, COOLING FAN
- M87 - MOTOR, COOLING FAN
- M88 - MOTOR, COOLING FAN
- M89 - MOTOR, COOLING FAN
- M90 - MOTOR, COOLING FAN
- M91 - MOTOR, COOLING FAN
- M92 - MOTOR, COOLING FAN
- M93 - MOTOR, COOLING FAN
- M94 - MOTOR, COOLING FAN
- M95 - MOTOR, COOLING FAN
- M96 - MOTOR, COOLING FAN
- M97 - MOTOR, COOLING FAN
- M98 - MOTOR, COOLING FAN
- M99 - MOTOR, COOLING FAN
- M100 - MOTOR, COOLING FAN

- A1, A2 - ALARM
- BC1, BC2 - BURNER VALVE CONTROL
- CA1, CA2 - CAPACITOR, 7.5 MFD
- CA3 - CAPACITOR, CONVEYOR MOTOR
- COM - CONTROL, OVEN
- CU - CONTROL, OVEN
- CU1 - CONTROL, OVEN
- CU2 - CONTROL, OVEN
- CU3 - CONTROL, OVEN
- CU4 - CONTROL, OVEN
- CU5 - CONTROL, OVEN
- CU6 - CONTROL, OVEN
- CU7 - CONTROL, OVEN
- CU8 - CONTROL, OVEN
- CU9 - CONTROL, OVEN
- CU10 - CONTROL, OVEN
- CU11 - CONTROL, OVEN
- CU12 - CONTROL, OVEN
- CU13 - CONTROL, OVEN
- CU14 - CONTROL, OVEN
- CU15 - CONTROL, OVEN
- CU16 - CONTROL, OVEN
- CU17 - CONTROL, OVEN
- CU18 - CONTROL, OVEN
- CU19 - CONTROL, OVEN
- CU20 - CONTROL, OVEN
- CU21 - CONTROL, OVEN
- CU22 - CONTROL, OVEN
- CU23 - CONTROL, OVEN
- CU24 - CONTROL, OVEN
- CU25 - CONTROL, OVEN
- CU26 - CONTROL, OVEN
- CU27 - CONTROL, OVEN
- CU28 - CONTROL, OVEN
- CU29 - CONTROL, OVEN
- CU30 - CONTROL, OVEN
- CU31 - CONTROL, OVEN
- CU32 - CONTROL, OVEN
- CU33 - CONTROL, OVEN
- CU34 - CONTROL, OVEN
- CU35 - CONTROL, OVEN
- CU36 - CONTROL, OVEN
- CU37 - CONTROL, OVEN
- CU38 - CONTROL, OVEN
- CU39 - CONTROL, OVEN
- CU40 - CONTROL, OVEN
- CU41 - CONTROL, OVEN
- CU42 - CONTROL, OVEN
- CU43 - CONTROL, OVEN
- CU44 - CONTROL, OVEN
- CU45 - CONTROL, OVEN
- CU46 - CONTROL, OVEN
- CU47 - CONTROL, OVEN
- CU48 - CONTROL, OVEN
- CU49 - CONTROL, OVEN
- CU50 - CONTROL, OVEN
- CU51 - CONTROL, OVEN
- CU52 - CONTROL, OVEN
- CU53 - CONTROL, OVEN
- CU54 - CONTROL, OVEN
- CU55 - CONTROL, OVEN
- CU56 - CONTROL, OVEN
- CU57 - CONTROL, OVEN
- CU58 - CONTROL, OVEN
- CU59 - CONTROL, OVEN
- CU60 - CONTROL, OVEN
- CU61 - CONTROL, OVEN
- CU62 - CONTROL, OVEN
- CU63 - CONTROL, OVEN
- CU64 - CONTROL, OVEN
- CU65 - CONTROL, OVEN
- CU66 - CONTROL, OVEN
- CU67 - CONTROL, OVEN
- CU68 - CONTROL, OVEN
- CU69 - CONTROL, OVEN
- CU70 - CONTROL, OVEN
- CU71 - CONTROL, OVEN
- CU72 - CONTROL, OVEN
- CU73 - CONTROL, OVEN
- CU74 - CONTROL, OVEN
- CU75 - CONTROL, OVEN
- CU76 - CONTROL, OVEN
- CU77 - CONTROL, OVEN
- CU78 - CONTROL, OVEN
- CU79 - CONTROL, OVEN
- CU80 - CONTROL, OVEN
- CU81 - CONTROL, OVEN
- CU82 - CONTROL, OVEN
- CU83 - CONTROL, OVEN
- CU84 - CONTROL, OVEN
- CU85 - CONTROL, OVEN
- CU86 - CONTROL, OVEN
- CU87 - CONTROL, OVEN
- CU88 - CONTROL, OVEN
- CU89 - CONTROL, OVEN
- CU90 - CONTROL, OVEN
- CU91 - CONTROL, OVEN
- CU92 - CONTROL, OVEN
- CU93 - CONTROL, OVEN
- CU94 - CONTROL, OVEN
- CU95 - CONTROL, OVEN
- CU96 - CONTROL, OVEN
- CU97 - CONTROL, OVEN
- CU98 - CONTROL, OVEN
- CU99 - CONTROL, OVEN
- CU100 - CONTROL, OVEN