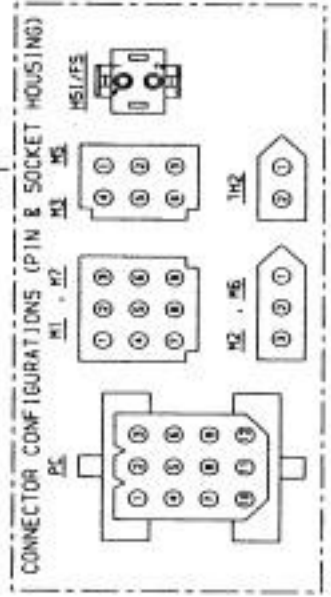
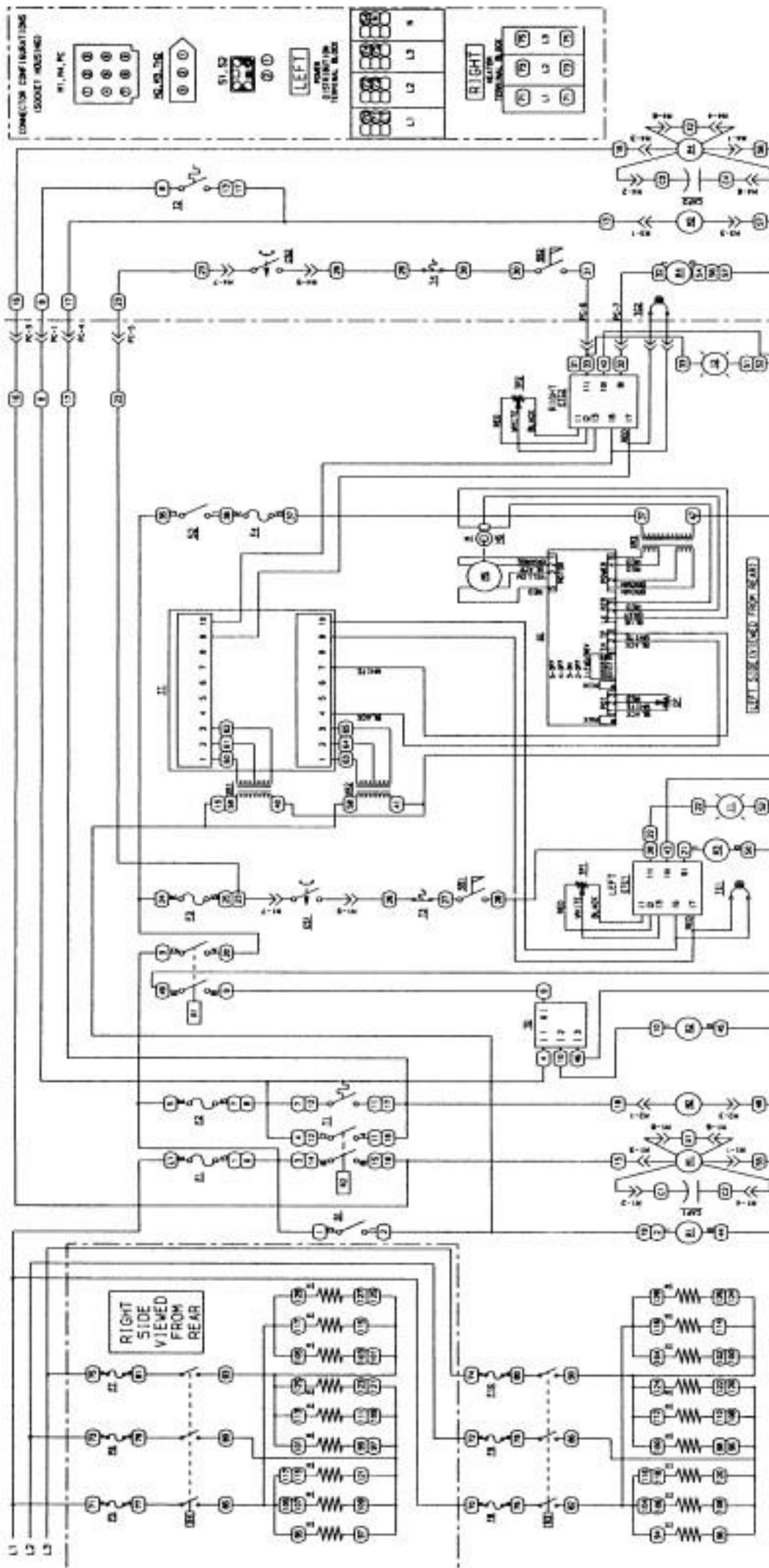


Lincolnelectric
 Foodservice Products, Inc.
 FORT WAYNE, INDIANA
 MODEL 1600 (NAT), 1601 (LP)
 120 VAC, 14 AMP5, 60 HZ
 2802491H

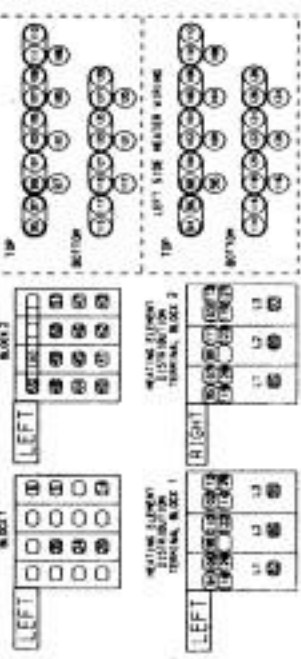


- BC1, BC2 - BURNER CONTROL
- CAP1, CAP2 - CAPACITOR, 7.5MFD, 370V
- CC - CONVEYOR CONTROL
- CS1 - CONVEYOR CONTROL POT, 50K
- CS2 - CENTRIFUGAL SWITCH, M1 MOTOR
- CS3 - CENTRIFUGAL SWITCH, M3 MOTOR
- CS4 - CENTRIFUGAL SWITCH, M7 MOTOR
- CS5 - CENTRIFUGAL SWITCH, M5 MOTOR
- ELEC1, ELEC2 - ELECTRONIC TEMP CONTROL
- F1 - FUSE, MAIN FAN MOTORS, 10A
- F2 - FUSE, COOLING FAN MOTORS, 3A
- F3, F4 - FUSE, BURNER, 10A
- F5 - FUSE, CONVEYOR CONTROL, 3A
- FL - FLAME SENSOR
- HS - HALL EFFECT SENSOR
- HS11, HS12 - HOT SURFACE (SENSOR)
- I1, I2 - INDICATOR, BURNER
- M - MOUNT
- M1, M2 - MOTOR, MAIN FAN
- M3, M4 - MOTOR, COOLING FAN
- M5, M6 - MOTOR, BURNER BLOWER
- M7 - MOTOR, CONVEYOR
- PC - POWER CONNECTOR, LEFT TO RIGHT
- RT - RELAY, OVEN FOWER
- RL1 - RELAY, OVEN FAN
- RL2 - RELAY, BURNER
- RT - RELAY, POWER
- SA - SWITCH, CONVEYOR
- SA1 - SWITCH, CONVEYOR
- SA2 - SA1 SWITCH, COOLING FAN
- SA3 - THERMOSTAT, COOLING FAN
- TD - TIME DELAY MODULE, TYPE J
- TD1, TD2 - TEMPERATURE POT ASSEMBLY
- TV1, TV2 - TIME/TEMP DISPLAY
- VAL1, VAL2 - VALVE, DUAL SAFETY
- XRT1, XRT2 - TRANSFORMER, TIME/TEMP
- XBL1, XBL2 - TRANSFORMER, BURNER CONTROL
- XMA - TRANSFORMER, CONVEYOR CONTROL
- W1 - WIRE NUMBERS



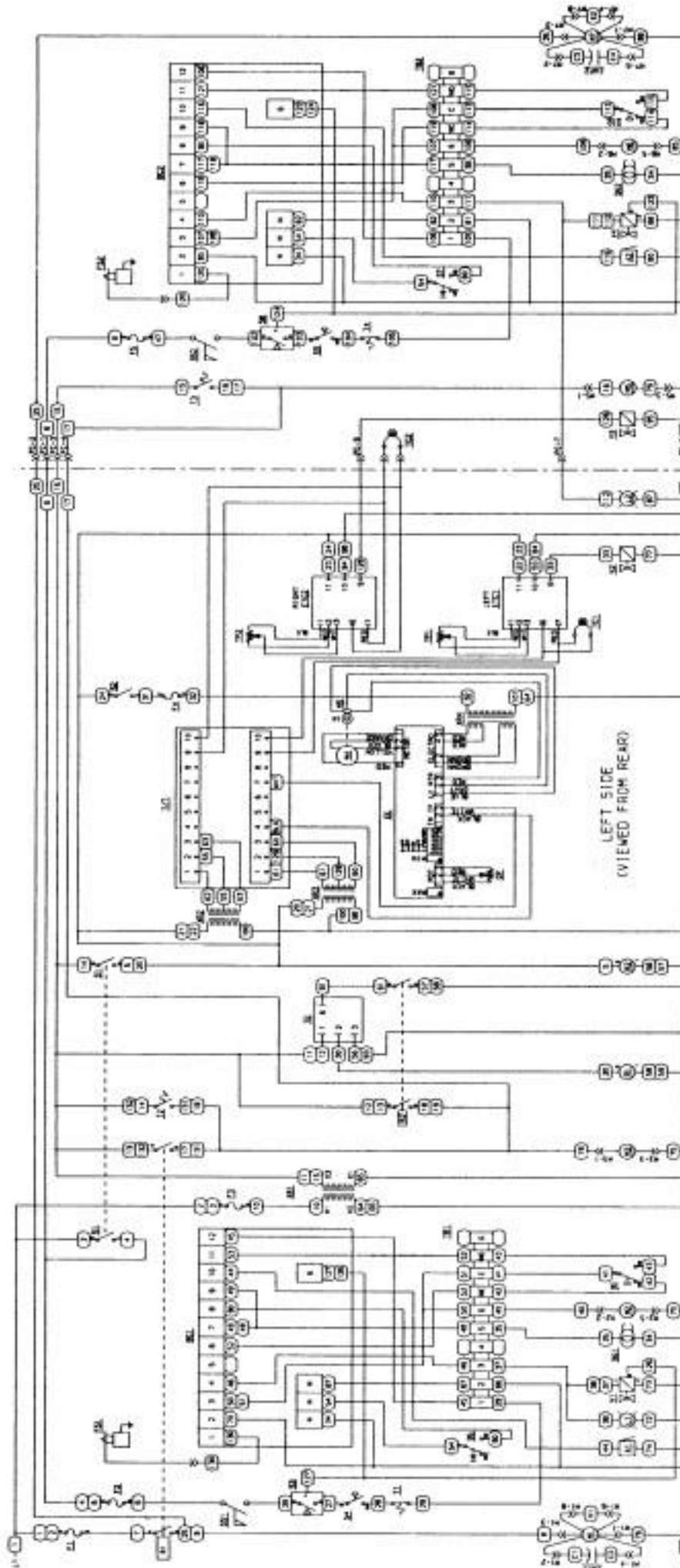
Lincoln
 Foodservice Products, Inc.
 FORT WAYNE, INDIANA
 MODEL 1622 (208V), 1623 (240V)
 29 KW 60 HZ

28025401

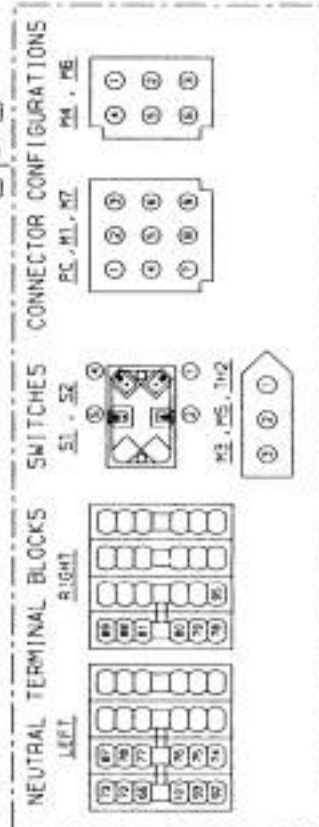


- 11, 12 - THERMOSTAT, COOLING FAN
- 13, 14 - THERMOSTAT, HIGH LIMIT
- 15, 16 - THERMOCOUPLE, TYPE J
- 17 - TIME DELAY MODULE, 20 MIN
- 18, 19 - TIRE DELAY MODULE, 20 MIN
- 20 - TIRE DELAY MODULE, 20 MIN
- 21 - TIME/TEMP DISPLAY
- 22, 23 - TRANSFORMER, TIME/TEMP
- 24 - TRANSFORMER, CONVEYOR CONTROL
- 25 - WIRE NUMBERS

- 11, 12 - INDICATOR, HEATER
- M - MAGNET
- R1, M4 - MOTOR, MAIN FAN
- R2, M3 - MOTOR, COOLING FAN
- R3 - MOTOR, CONVEYOR
- R4 - MOTOR, CONVEYOR
- R5 - POWER CONVEYOR, LEFT TO RIGHT
- R1 - RELAY, OVEN POWER
- R2 - RELAY, OVEN FAN
- R3, R4 - CONTACTORS, MERCURY 3P
- S1 - SWITCH, POWER
- S2 - SWITCH, CONVEYOR
- S3 - SWITCH, HEATING ELEMENTS, 50A
- S5 - HALL EFFECT SENSOR
- 5A1 - CAPACITOR, 7.5MFD, 370V
- 5C - CONVEYOR CONTROL
- 5D - CONVEYOR CONTROL POT, 50K
- 5E - CENTRIFUGAL SWITCH, M1 MOTOR
- 5F - CENTRIFUGAL SWITCH, M4 MOTOR
- 5G, 5H - ELECTRONIC TEMP CONTROL
- F1 - FUSE, MAIN POWER, 10A
- F2 - FUSE, COOLING FAN, 3A
- F3 - FUSE, TEMP CONTROL, 3A
- F4 - FUSE, CONVEYOR, 3A
- F5 - FUSE, HEATING ELEMENTS, 50A
- S5 - HALL EFFECT SENSOR



Lincoln
 Foodservice Products, Inc.
FORT WAYNE, INDIANA
 MODEL 1646 (NAT), 1647 (LP)
 220-240VAC 50HZ



- A1, A2** - AMP
B1, B2 - BLOWER CONTROL
C1, C2 - DEF. DEFROST. 12.5 WPS
D1, D2 - DEF. DEFROST. 12.5 WPS
E1, E2 - DEF. DEFROST. 12.5 WPS
F1, F2 - DEF. DEFROST. 12.5 WPS
G1, G2 - DEF. DEFROST. 12.5 WPS
H1, H2 - DEF. DEFROST. 12.5 WPS
I1, I2 - DEF. DEFROST. 12.5 WPS
J1, J2 - DEF. DEFROST. 12.5 WPS
K1, K2 - DEF. DEFROST. 12.5 WPS
L1, L2 - DEF. DEFROST. 12.5 WPS
M1, M2 - DEF. DEFROST. 12.5 WPS
N1, N2 - DEF. DEFROST. 12.5 WPS
O1, O2 - DEF. DEFROST. 12.5 WPS
P1, P2 - DEF. DEFROST. 12.5 WPS
Q1, Q2 - DEF. DEFROST. 12.5 WPS
R1, R2 - DEF. DEFROST. 12.5 WPS
S1, S2 - DEF. DEFROST. 12.5 WPS
T1, T2 - DEF. DEFROST. 12.5 WPS
U1, U2 - DEF. DEFROST. 12.5 WPS
V1, V2 - DEF. DEFROST. 12.5 WPS
W1, W2 - DEF. DEFROST. 12.5 WPS
X1, X2 - DEF. DEFROST. 12.5 WPS
Y1, Y2 - DEF. DEFROST. 12.5 WPS
Z1, Z2 - DEF. DEFROST. 12.5 WPS