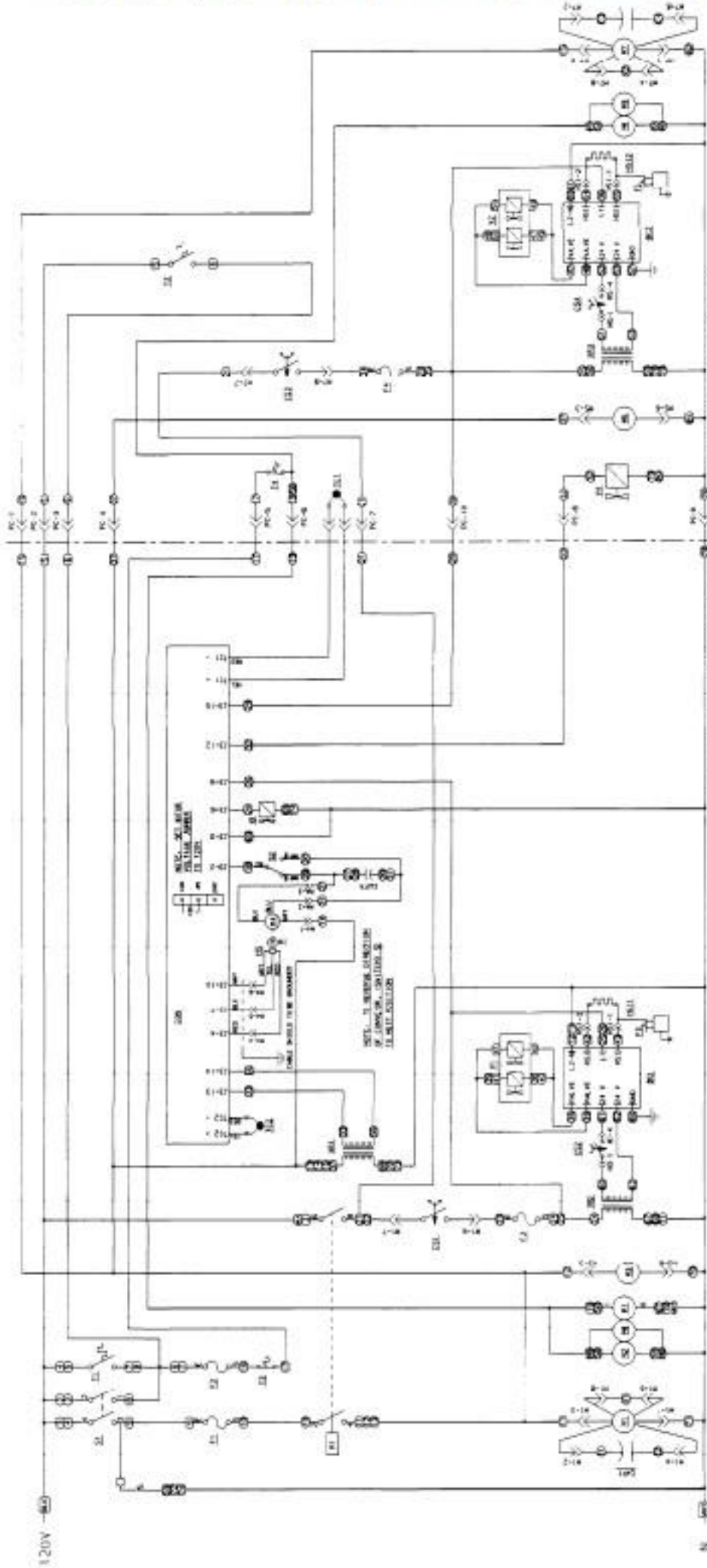


# SCHEMATIC DIAGRAM

## 1600-000-A, 1601-000-A SERIAL NUMBER L28563 AND ABOVE

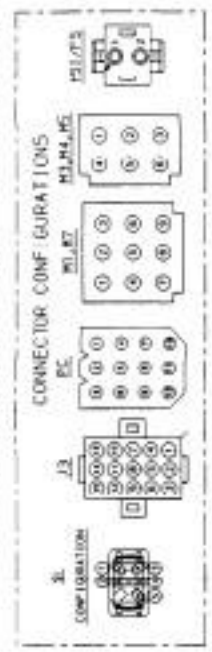


LEFT SIDE (VIEWED FROM REAR)      RIGHT SIDE (VIEWED FROM REAR)

Lincoln

**Lincoln**  
**Industries Products, Inc.**  
**FORT WAYNE, INDIANA**  
**IMPINGER - LOW PROFILE ADVANTAGE**

28045784



- BC1, BC2 - BURNER CONTROL
- CA1, CA2 - CAPACITOR, 7.5 MFD
- CA3 - CAPACITOR, CONVEYOR MOTOR
- CBV - CONTROL, OVEN
- C31 - CENTER PULGAL SWITCH, M1 MOTOR
- C32 - CENTER PULGAL SWITCH, M3 MOTOR
- C33 - CENTER PULGAL SWITCH, M7 MOTOR
- C34 - CENTER PULGAL SWITCH, M5 MOTOR
- F1 - FUSE, MAIN FAN MOTORS, 10A
- F2 - FUSE, COOLING FAN MOTORS, 3A
- F3 - FUSE, BURNER, 10A
- F5 - FLAME SENSOR
- H5 - HALL EFFECT SENSOR
- H51, H52 - HOT SURFACE IGNITOR
- H - HAZARD
- M1, M7 - MOTOR, MAIN FAN
- M2, M3 - BURNER CONTROL
- M4, M5 - CAPACITOR, 7.5 MFD
- M6 - CONTROL, OVEN
- M8 - CENTER PULGAL SWITCH, M1 MOTOR
- M9 - CENTER PULGAL SWITCH, M3 MOTOR
- M10 - CENTER PULGAL SWITCH, M7 MOTOR
- M11 - CENTER PULGAL SWITCH, M5 MOTOR
- M12 - FUSE, MAIN FAN MOTORS, 10A
- M13 - FUSE, COOLING FAN MOTORS, 3A
- M14 - FUSE, BURNER, 10A
- M15 - FLAME SENSOR
- M16 - HALL EFFECT SENSOR
- M17, M18, M19, M20, M21, M22, M23, M24, M25, M26, M27, M28, M29, M30, M31, M32, M33, M34, M35, M36, M37, M38, M39, M40, M41, M42, M43, M44, M45, M46, M47, M48, M49, M50, M51, M52, M53, M54, M55, M56, M57, M58, M59, M60, M61, M62, M63, M64, M65, M66, M67, M68, M69, M70, M71, M72, M73, M74, M75, M76, M77, M78, M79, M80, M81, M82, M83, M84, M85, M86, M87, M88, M89, M90, M91, M92, M93, M94, M95, M96, M97, M98, M99, M100

NO. M1, M2, M3 - MOTOR, COOLING FAN  
 M4, M5 - MOTOR, BURNER (B.O.M.E.)  
 M6 - MOTOR, CONVEYOR  
 PC - POWER CONNECTOR, LEFT TO RIGHT  
 S1 - SWITCH, OVEN POWER  
 S2 - SWITCH, CONVEYOR REVERSING  
 T1, T2 - THERMOSTAT, COOLING FAN  
 T3, T4 - THERMOSTAT, CONTROL BOX HI LIMIT  
 T5, T6, T7 - THERMOSTAT, TYPE 1  
 V1, V2 - VALVE, DIAL SAFETY  
 V3, V4 - VALVE, THERMAL SAFETY  
 X51 - TRANSFORMER CONTROL  
 X52, X53 - TRANSFORMER, BURNER CONTROL  
 W - WIRE NUMBERS