

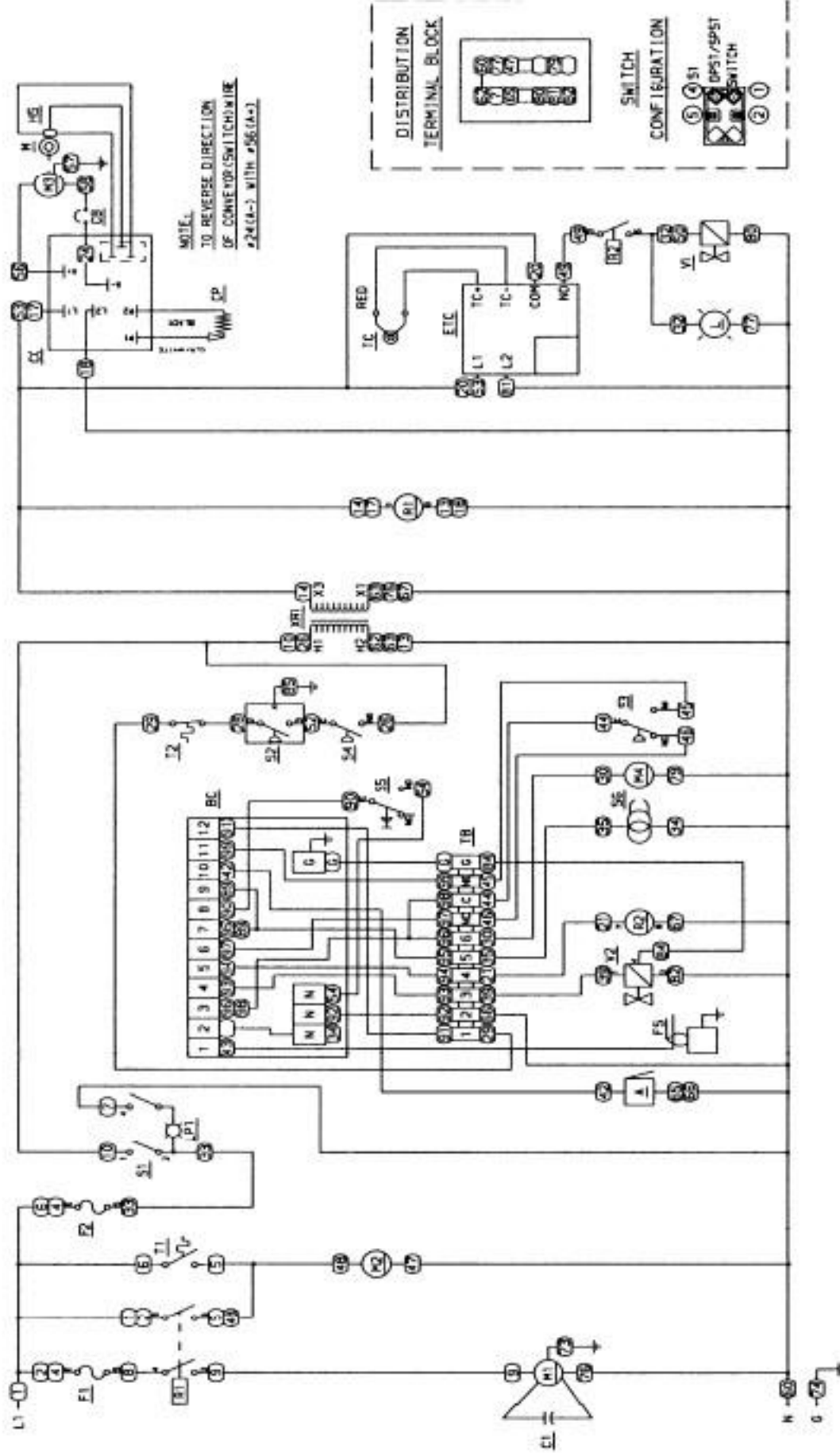
NOTE:
TO REVERSE DIRECTION
OF CONVERTER SWITCH WIRE
#24 (A-) WITH #56 (A+)

DISTRIBUTION
BLOCK

SWITCH
CONFIGURATION

- A - ALARM
- BC1 - BURNER CONTROL - PILOT
- BC2 - BURNER CONTROL - MAIN
- C1 - CAPACITOR 7.5 MFD
- CB - CIRCUIT BREAKER
- CC - CONVERTER CONTROL
- CP - CONVERTER POT ASSEMBLY
- EMC - EMI FILTER
- ETC - ELECTRONIC TEMPERATURE CONTROL
- F1 - FUSE, FAN MOTOR, 10A
- F2 - FUSE, CONTROL, 3A
- FS1 - FLAME SENSOR - PILOT
- FS2 - FLAME SENSOR - MAIN
- HS - HALL EFFECT SENSOR
- L1 - LAMP, READY
- L2 - LAMP, MAIN BURNER ALARM
- L3 - LAMP, POWER
- M - MAGNET
- M1 - MOTOR, OVEN FAN
- M2 - MOTOR, COOLING FAN
- M3 - MOTOR, CONVERTER
- M4 - MOTOR, BURNER BLOWER
- R1 - RELAY, OVEN FAN MOTOR
- R2 - RELAY, GAS CONTROL
- S1 - SWITCH, OVEN FAN
- S2 - SWITCH, GAS INLET PRESSURE
- S3 - SWITCH, BURNER BLOWER PRESSURE
- S4 - SWITCH, OVEN AIR PRESSURE
- S5 - LOCKOUT RESET SWITCH
- SG - SPARK GENERATOR
- T1 - THERMOSTAT CONTROL, BOX COOLING
- T2 - THERMOSTAT, HIGH LIMIT
- TB - THERMING BLOCK
- TC - THERMOCOUPLE, TYPE J
- V1 - VALVE, MAIN BURNER
- V2 - VALVE, CONTROL
- XRI - TRANSFORMER, POWER
- CB - WIRE NUMBERS

Lincoln
Foodservice Products, Inc.
FORT WAYNE, INDIANA
MODELS 1474, 1475, 1476
1433-000-E, 1434-000-E

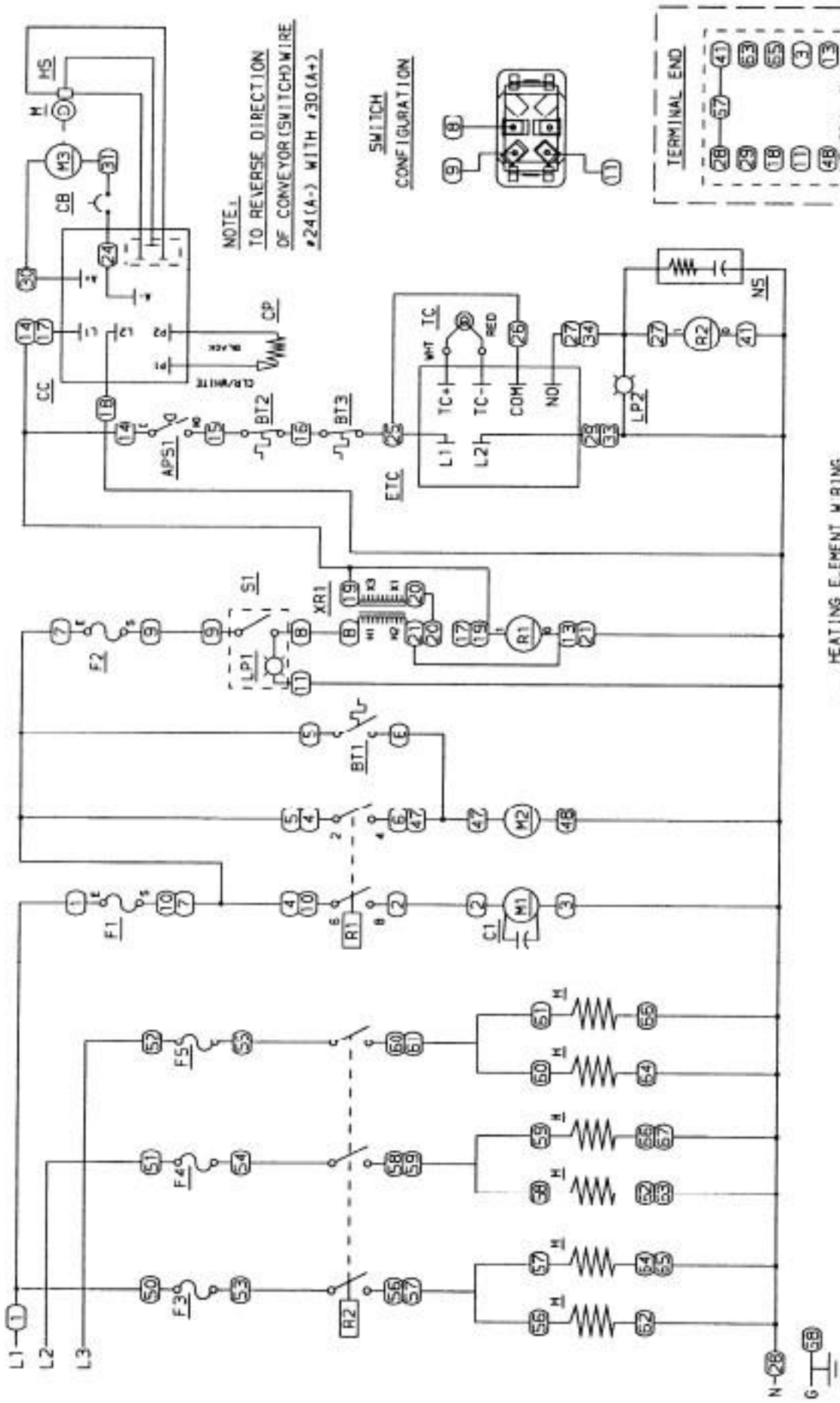


- A - ALARM CONTROL
- BC - CAPACITOR, 7.5 MFD
- CB - CIRCUIT BREAKER
- C1 - CONVEYOR CONTROL
- CP - CONVEYOR POT ASSEMBLY
- ETC - ELECTRIC TEMPERATURE CONTROL
- F1 - FUSE, FAN MOTOR, 10A
- F2 - FUSE, CONTROL, 3A
- F5 - FLAME SENSOR
- H5 - HALL EFFECT SENSOR
- L - LAMP, READY
- LPI - LAMP, POWER
- N - NEUTRAL
- M1 - MOTOR, OVEN FAN
- M2 - MOTOR, COOLING FAN
- M3 - MOTOR, CONVEYOR
- M4 - MOTOR, BURNER BLOWER
- M5 - MOTOR, OVEN FAN MOTOR
- R1 - RELAY, GAS CONTROL
- S1 - SWITCH, OVEN FAN
- S2 - SWITCH, GAS INLET PRESSURE
- S3 - SWITCH, BURNER BLOWER PRESSURE
- S4 - SWITCH, OVEN AIR PRESSURE
- S5 - SWITCH, OVEN AIR PRESSURE
- S6 - SWITCH, OVEN AIR PRESSURE
- S7 - SWITCH, OVEN AIR PRESSURE
- S8 - SWITCH, OVEN AIR PRESSURE
- S9 - SWITCH, OVEN AIR PRESSURE
- S10 - SWITCH, OVEN AIR PRESSURE
- S11 - SWITCH, OVEN AIR PRESSURE
- S12 - SWITCH, OVEN AIR PRESSURE
- S13 - SWITCH, OVEN AIR PRESSURE
- S14 - SWITCH, OVEN AIR PRESSURE
- S15 - SWITCH, OVEN AIR PRESSURE
- S16 - SWITCH, OVEN AIR PRESSURE
- S17 - SWITCH, OVEN AIR PRESSURE
- S18 - SWITCH, OVEN AIR PRESSURE
- S19 - SWITCH, OVEN AIR PRESSURE
- S20 - SWITCH, OVEN AIR PRESSURE
- S21 - SWITCH, OVEN AIR PRESSURE
- S22 - SWITCH, OVEN AIR PRESSURE
- S23 - SWITCH, OVEN AIR PRESSURE
- S24 - SWITCH, OVEN AIR PRESSURE
- T1 - THERMOSTAT, CONTROL BOX COOLING
- T2 - THERMOSTAT, HIGH LIMIT
- TC - THERMOCOUPLE, TYPE J
- VI - VALVE, CONTROL
- V2 - VALVE, MAIN & PLOT
- XR1 - TRANSFORMER, POWER
- WIRE NUMBERS

- S4 - SWITCH, OVEN AIR PRESSURE
- S5 - SWITCH, OVEN AIR PRESSURE
- S6 - SWITCH, OVEN AIR PRESSURE
- S7 - SWITCH, OVEN AIR PRESSURE
- S8 - SWITCH, OVEN AIR PRESSURE
- S9 - SWITCH, OVEN AIR PRESSURE
- S10 - SWITCH, OVEN AIR PRESSURE
- S11 - SWITCH, OVEN AIR PRESSURE
- S12 - SWITCH, OVEN AIR PRESSURE
- S13 - SWITCH, OVEN AIR PRESSURE
- S14 - SWITCH, OVEN AIR PRESSURE
- S15 - SWITCH, OVEN AIR PRESSURE
- S16 - SWITCH, OVEN AIR PRESSURE
- S17 - SWITCH, OVEN AIR PRESSURE
- S18 - SWITCH, OVEN AIR PRESSURE
- S19 - SWITCH, OVEN AIR PRESSURE
- S20 - SWITCH, OVEN AIR PRESSURE
- S21 - SWITCH, OVEN AIR PRESSURE
- S22 - SWITCH, OVEN AIR PRESSURE
- S23 - SWITCH, OVEN AIR PRESSURE
- S24 - SWITCH, OVEN AIR PRESSURE
- T1 - THERMOSTAT, CONTROL BOX COOLING
- T2 - THERMOSTAT, HIGH LIMIT
- TC - THERMOCOUPLE, TYPE J
- VI - VALVE, CONTROL
- V2 - VALVE, MAIN & PLOT
- XR1 - TRANSFORMER, POWER
- WIRE NUMBERS

Lincoln
Foodservice Products, Inc.
FORT WAYNE, INDIANA
MODELS 1456, 1457
240V 50Hz

SCHEMATIC 1454 / 1455

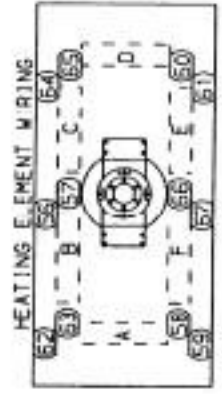
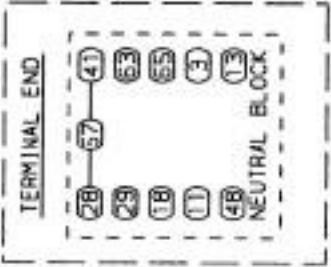
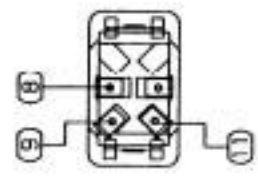


- APS1 - AIR PRESSURE SWITCH
- BT1 - THERMOSTAT, CONTROL BOX COOLING
- BT2 - THERMOSTAT, HIGH LIMIT
- BT3 - THERMOSTAT, CONTROL HIGH LIMIT
- C1 - CAPACITOR, 7.5 MFD
- CC - CIRCUIT BREAKER
- CC - CONVEYOR CONTROL
- CP - CONVEYOR POT ASSEMBLY
- ETC - ELECTRONIC TEMPERATURE CONTROL
- F1 - FUSE, FAN MOTOR, 10A
- F2 - FUSE, CONTROL, 3A
- F3-F5 - FUSE, HEATER 50A
- H - HEATING ELEMENT, 4500 WATT
- HS - HALL EFFECT SENSOR

- LP1 - LAMP, SWITCH
- LP2 - LAMP, READY
- M - MAGNET
- M1 - MOTOR, OVEN FAN
- M2 - MOTOR, COOLING FAN
- M3 - MOTOR, CONVEYOR
- R1 - RELAY, OVEN FAN MOTOR, 2P
- R2 - RELAY, CONTACTOR, MERCURY, 3P
- S1 - SWITCH, OVEN
- TC - THERMOCOUPLE, TYPE J
- N5 - NOISE SUPPRESSOR
- XR1 - TRANSFORMER, CONTROL POWER
- (XX) - WIRE NUMBERS

NOTE 1
TO REVERSE DIRECTION
OF CONVEYOR (SWITCH WIRE
#24(A-) WITH #30(A+))

**SWITCH
CONFIGURATION**

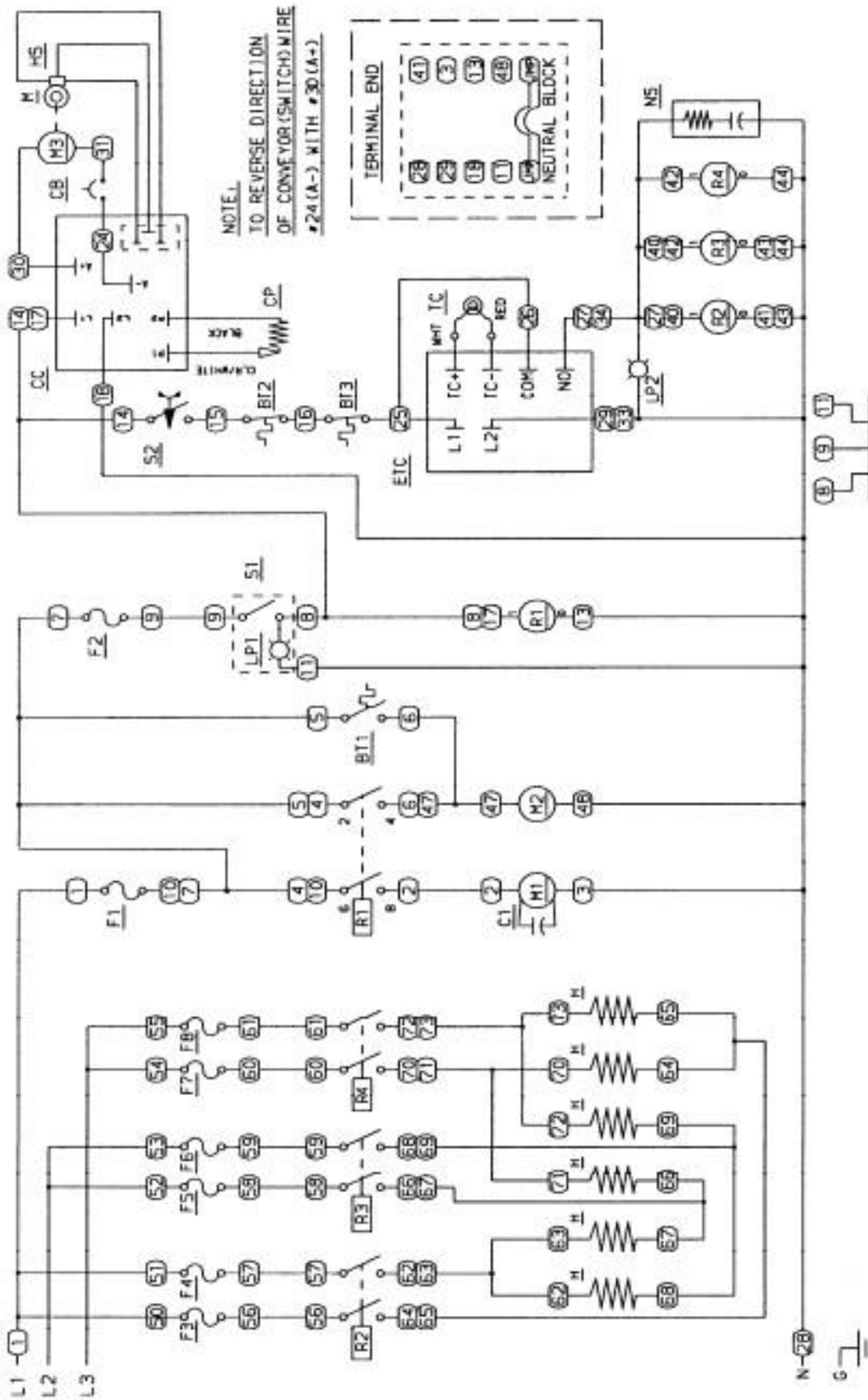


Lincoln

Foodservice Products, Inc.
FORT WAYNE, INDIANA
MODELS 1454-1455
415/240V-380/220V 50 HZ

2802631E

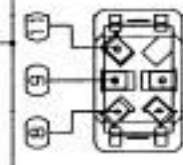
SCHEMATIC 1452 / 1453



- BT1 - THERMOSTAT, CONTROL BDX COOLING
- BT2 - THERMOSTAT, HIGH LIMIT
- BT3 - THERMOSTAT, CONTROL HIGH LIMIT
- C1 - CAPACITOR, 5.5 MFD
- CB - CIRCUIT BREAKER
- CC - CONVEYOR CONTROL
- CP - CONVEYOR POT ASSEMBLY
- ETC - ELECTRONIC TEMPERATURE CONTROL
- F1 - FUSE, FAN MOTOR, 10A
- F2 - FUSE, CONTROL, 3A
- F3-FB - FUSE, HEATER 50A
- H - HEATING ELEMENT
- H5 - HALL EFFECT SENSOR

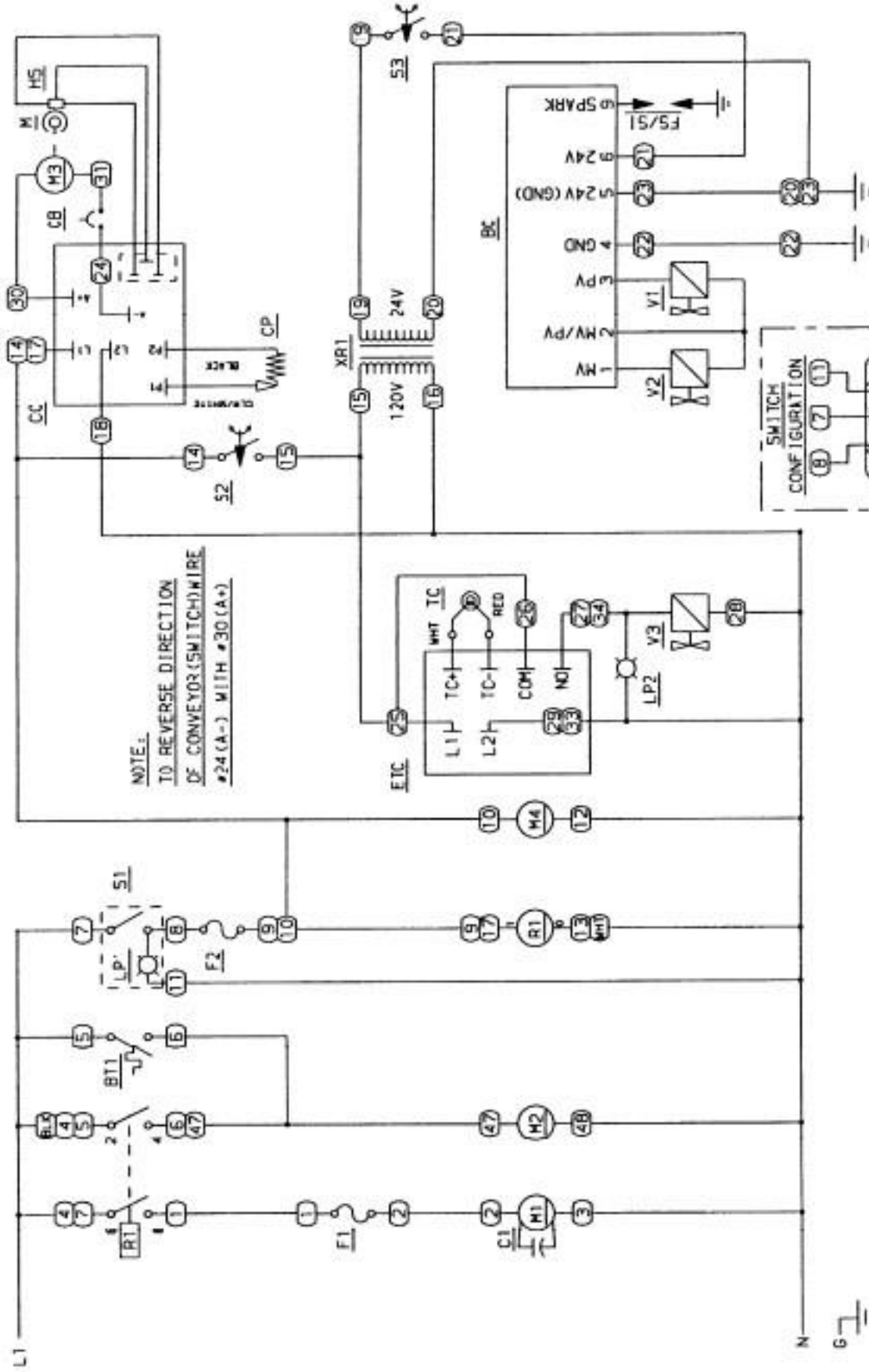
- LP1 - LAMP SWITCH
- LP2 - LAMP, READY
- M - MAGNET
- M1 - MOTOR, OVEN FAN
- M2 - MOTOR, COOLING FAN
- M3 - MOTOR, CONVEYOR
- R1 - RELAY, OVEN FAN MOTOR
- R2-R4 - CONTACTOR MERCURY, 2P
- S1 - SWITCH, OVEN FAN
- S2 - SWITCH, OVEN MOTOR CENTRIFUGAL
- TC - THERMOCOUPLE, TYPE J
- N5 - NOISE SUPPRESSOR
- (XX) - WIRE NUMBERS

SWITCH CONFIGURATION



Lincoln
Foodservice Products, Inc.
FORT WAYNE, INDIANA
1452 - 120/208V 60 HZ
1453 - 120/240V 60 HZ
2802601H

SCHEMATIC 1450 / 1451 / 1480



NOTE:
TO REVERSE DIRECTION
OF CONVEYOR (SWITCH WIRE
#24 (A-) WITH #30 (A+))

- BC - BURNER CONTROL
- BT1 - THERMISTAT CONTROL BOX COOLING
- C1 - CAPACITOR, 7.5 MFD
- CB - CIRCUIT BREAKER
- CC - CONVEYOR CONTROL
- CP - CONVEYOR POT ASSEMBLY
- ETC - ELECTRONIC TEMPERATURE CONTROL
- F1 - FUSE, FAN MOTOR, 10A
- F2 - FUSE, CONTROL, 3A
- FS/S1 - FLAME SENSOR/SPARK IGNITOR
- H5 - HALL EFFECT SENSOR
- LP1 - LAMP SWITCH
- LP2 - LAMP READY
- M - MAGNET

- M1 - MOTOR, OVEN FAN
- M2 - MOTOR, COOLING FAN
- M3 - MOTOR, CONVEYOR
- M4 - MOTOR, BURNER BLOWER
- R1 - RELAY, OVEN FAN MOTOR
- S1 - SWITCH, OVEN FAN
- S2 - SWITCH, OVEN MOTOR CENTRIFUGAL
- S3 - SWITCH, BURNER BLOWER CENTRIFUGAL
- TC - THERMOCOUPLE, TYPE J
- V1 - VALVE, FAJN
- V2 - VALVE, FAJN
- V3 - VALVE, CONTROL
- XR1 - TRANSFORMER, BURNER CONTROL
- WIRE NUMBERS

Lincoln
Foodservice Products, Inc.
FORT WAYNE, INDIANA
MODELS 1450-1451
120V 50 HZ

2802509F