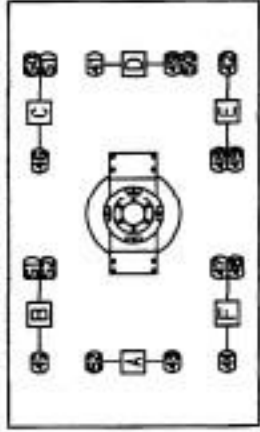


- APS - AIR PRESSURE SWITCH
- C1 - CAPACITOR, MAIN FAN, 7.5 MFD
- C2 - CAPACITOR, CONVEYOR MOTOR
- CON - CONTROL, OVEN
- EFLT - FILTER, EMI
- F1-F3 - FUSE, HEATER, 50A
- F4 - FUSE, FAN MOTOR & CONTROLS, 10A
- H - HEATER, 4500 W
- HS - HALL EFFECT SENSOR
- M - MAGNET
- M1 - MOTOR, OVEN FAN
- M2 - MOTOR, COOLING FAN
- M3 - MOTOR, CONVEYOR

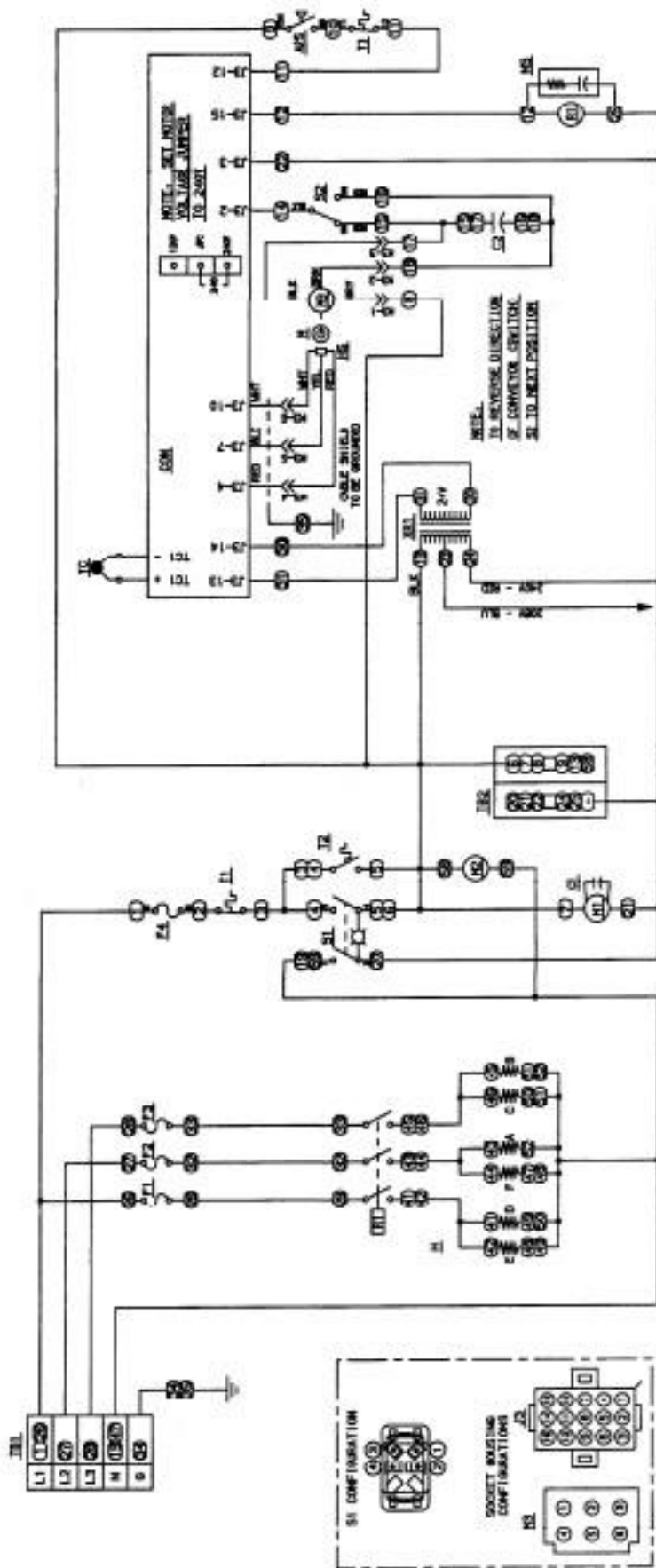
- NS - NOISE SUPPRESSOR
- R1 - CONTACTOR, HIGH LIMIT, 3P
- R2 - CONTACTOR, HEATER, 3P
- S1 - SWITCH, MAIN POWER
- S2 - SWITCH, CONVEYOR REVERSING
- T1 - THERMOSTAT, CONTROL BOX HIGH LIMIT
- T2 - THERMOSTAT, COOLING FAN
- T3 - THERMOSTAT, OVEN HIGH LIMIT
- TB1 - TERMINAL BLOCK, SUPPLY
- TB2 - TERMINAL BLOCK, DISTRIBUTION
- TC - THERMOCOUPLE, TYPE K
- XR1 - TRANSFORMER, CONTROL
- (XX) - WIRE NUMBERS

HEATING ELEMENT WIRING



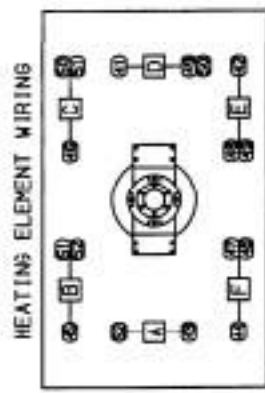
Lincoln
 Foodservice Products, Inc.
 FORT WAYNE, INDIANA
 IMPINGER 1 ADVANTAGE

**SCHEMATIC DIAGRAM
MODEL 1454, 1455
SERIAL NUMBER N28654 AND ABOVE**



- APS - AIR PRESSURE SWITCH
- C1 - CAPACITOR, MAIN FAN, 7.5 MFD
- C2 - CAPACITOR, CONVEYOR MOTOR
- CON - CONTROL, OVEN
- F1-F3 - FUSE, HEATER, 50A
- F4 - FUSE, FAN MOTOR & CONTROLS, 10A
- H - HEATER, 4500 W
- H5 - HALL EFFECT SENSOR
- M - MAGNET
- H1 - MOTOR, OVEN FAN
- M2 - MOTOR, COOLING FAN
- M3 - MOTOR, CONVEYOR

- NS - NOISE SUPPRESSOR
- R1 - CONTACTOR, HEATER, 3P
- S1 - SWITCH, MAIN POWER
- S2 - SWITCH, CONVEYOR REVERSING
- T1 - THERMOSTAT, CONTROL BOX HIGH LIMIT
- T2 - THERMOSTAT, COOLING FAN
- T3 - THERMOSTAT, OVEN HIGH LIMIT
- TB1 - TERMINAL BLOCK, SUPPLY
- TB2 - TERMINAL BLOCK, DISTRIBUTION
- TC - THERMOCOUPLE, TYPE K
- XR1 - TRANSFORMER, CONTROL
- (X) - WIRE NUMBERS



Lincoln
Foodservice Products, Inc.
FORT WAYNE, INDIANA
IMPINGER | ADVANTAGE