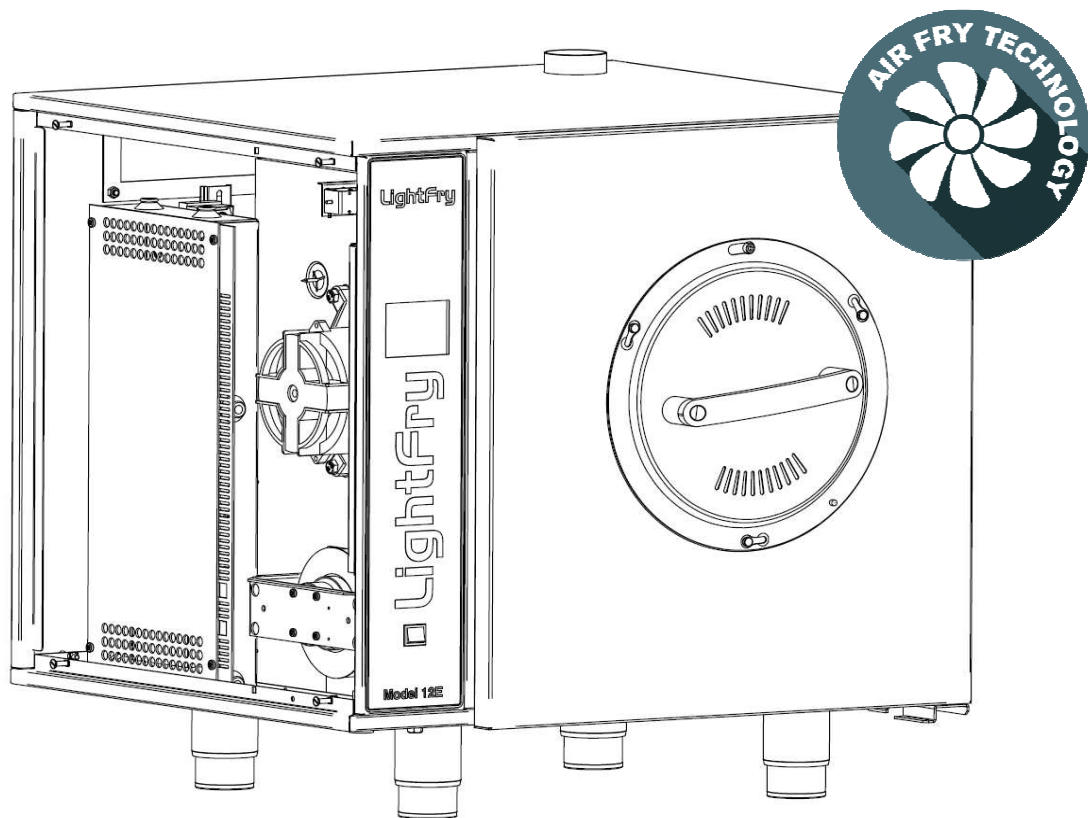


LightFry



Spare Parts Catalogue

Model 12U



WARNING



TO REDUCE THE RISK OF FIRE OR ELECTRIC SHOCK, DO NOT REMOVE MACHINE COVERS. NO USER-SERVICEABLE PARTS INSIDE. REPAIR SHOULD BE DONE BY AN AUTHORIZED SERVICE PERSONNEL ONLY.



This document is under revision and it may be subjected to modifications.
Please contact your machine supplier for the latest version.

1 TABLE OF CONTENTS

1	Table of contents.....	3
2	Information	4
3	Bottom base assembly - 63465.....	5
4	Base assembly.....	6
5	Main door	7
6	Door assembly - 95302	8
7	Oven chamber and inside parts.....	9
8	Outside panels.....	10
9	Isolation material.....	12
10	Heating elements.....	13
11	Basket door - 63646	14
12	Inner basket - 95250	15
13	Outer basket - 63630	16
14	Basket assembly.....	17
15	Basket rotation.....	18
16	Basket rotation assembly - 63903.....	19
17	Wash system	20
18	Drain assembly - 63918	22
19	Main fan and ventilation.....	23
20	Front lcd panel	25
21	Electrical system	26
22	Electrical cable kit - 31282.....	27
23	Accessories.....	29
24	LF12E Consumables.....	30
25	Index – Part Number	31

2 INFORMATION

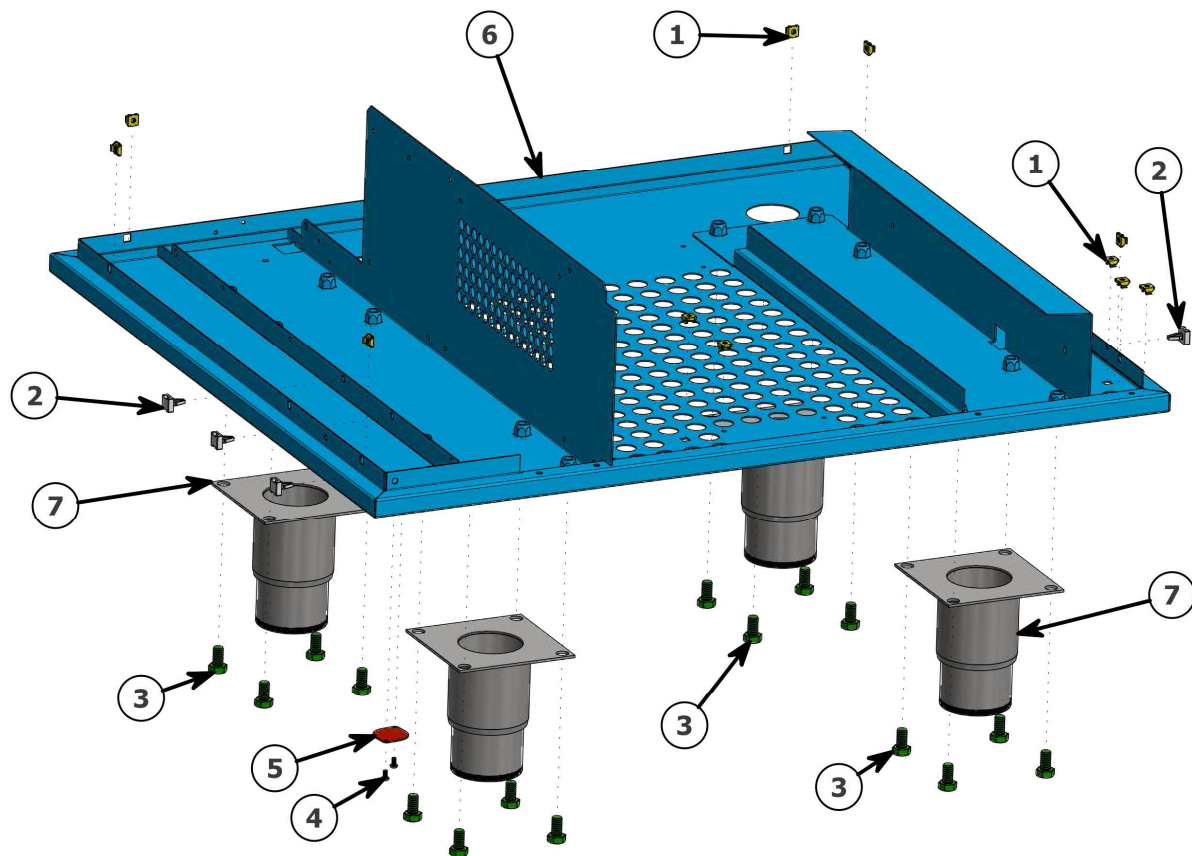


It is recommended to provide the **article number** as well as the **article description** when ordering spare parts.

This spare part documents covers the following Lightfry with ETL and NSF certifications:

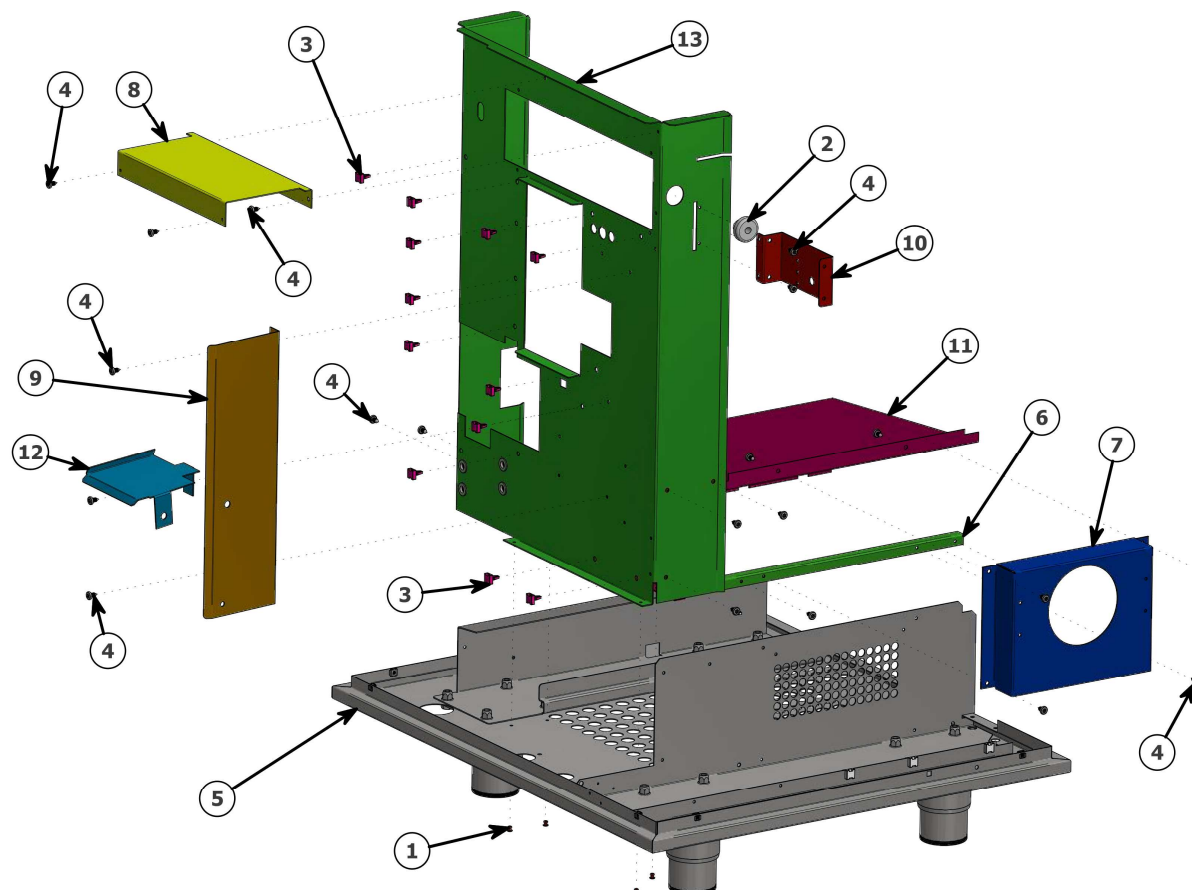
Model	Configuration	Power
Lightfry 12U	3x220v+N+PE 60Hz	13kW

3 BOTTOM BASE ASSEMBLY - 63465



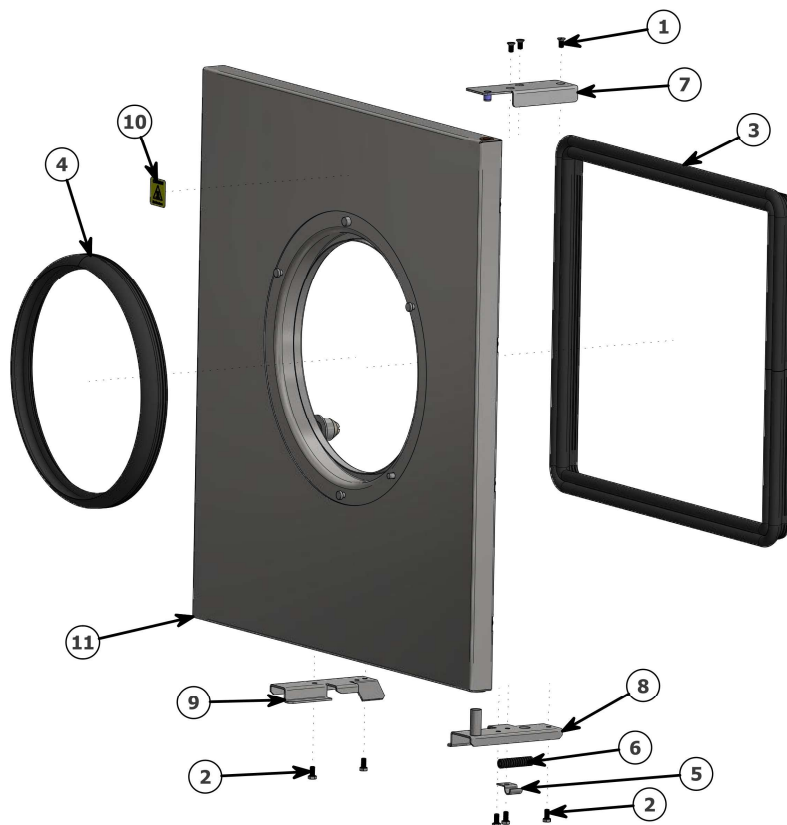
Item	Part Num.	Description	QTY
1	20129	Cage Nut M5	11
2	20653	Cable tie push mount base Ø5.8	4
3	21200	Screw Hex - M8x15 FZB	16
4	32305	Screw - M3x6 Ph A2	2
5	67405	USB cover plate	1
6	93056	Lightfry bottom base assembly	1
7	95003	Adjustable foot - NSF	4

4 BASE ASSEMBLY



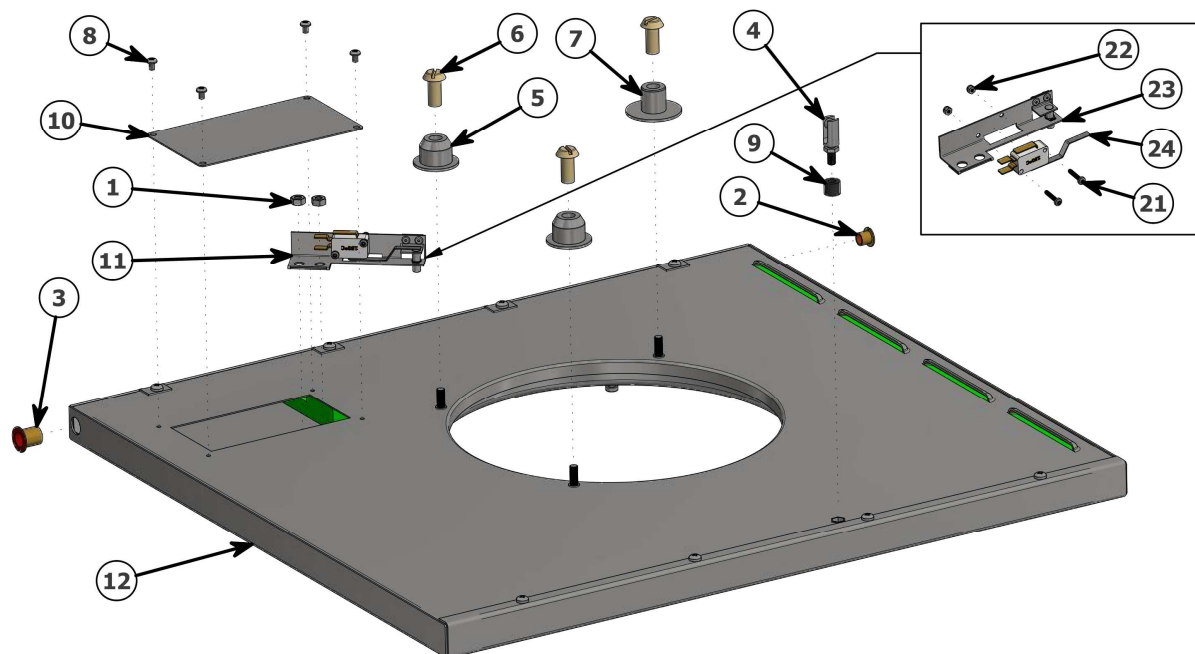
Item	Part Num.	Description	QTY
1	20604	Rivet $\varnothing 3,2 \times 6$ A2	4
2	20622	Cable rubber protector M25	1
3	20653	Cable tie push mount base $\varnothing 5.8$	12
4	20694	Screw Torx - B12x10 FZB	22
5	63465	Bottom base assembly - UL/NSF	1
6	63559	Filter metal guide bottom	1
7	63560	Mounting box plate ventilation motor	1
8	63563	Distance plate - Rear upper	1
9	63564	Protection side plate wash pump	1
10	63567	Electronic box metal holder plate	1
11	63569	Ventilation metal cover plate	1
12	64571	Dripping protection plate wash pump	1
13	93062	Rear support plate assembly	

5 MAIN DOOR



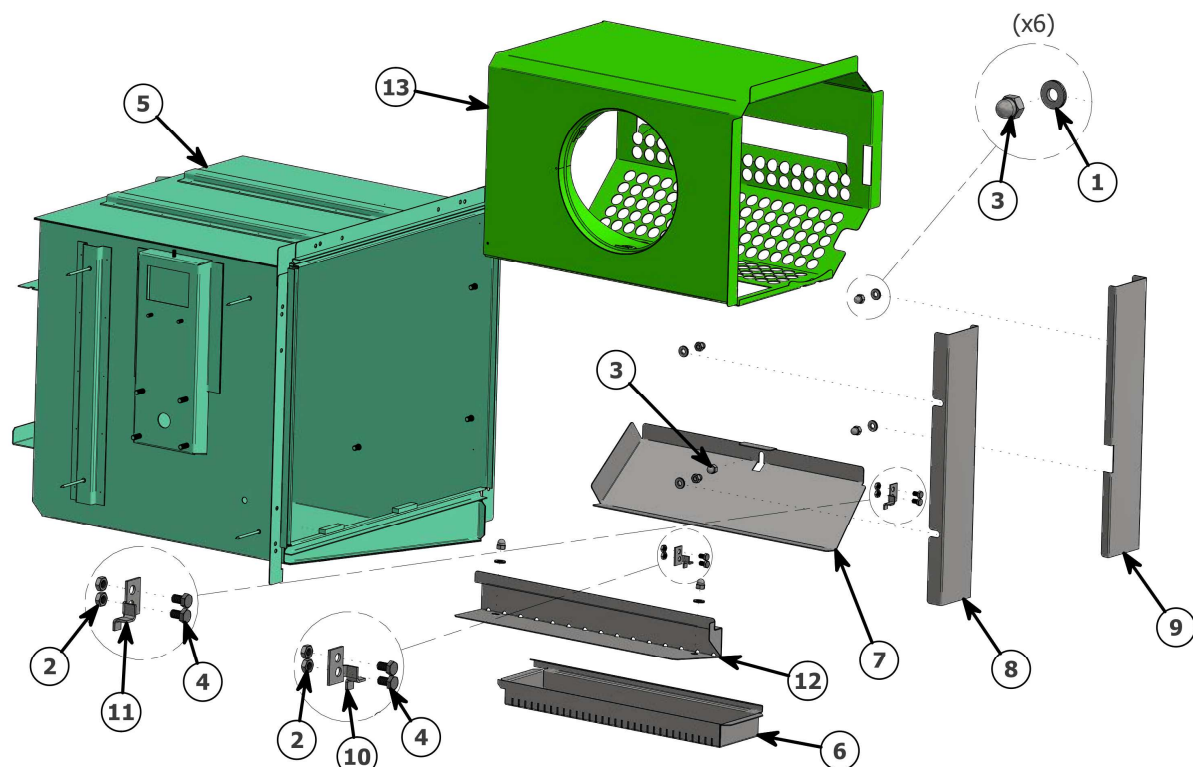
Item	Part Num.	Description	QTY
1	20607	Screw - M5x10 A2 - Counter sunk slotted	3
2	20609	Screw - M5x10 A2	5
3	32066	Silicone gasket - Main door square	1
4	31263	Silicone gasket - Round basket door	1
5	42260	Half clamp door cable	1
6	42270	Cable protection conduit	1
7	63633	Main door hinge - Upper	1
8	64375	Main door hinge - Lower	1
9	64376	Dripping tray holder	1
10	95020	Hot surface sign sticker	1
11	95302	Main door complete - UL/NSF	1

6 DOOR ASSEMBLY - 95302



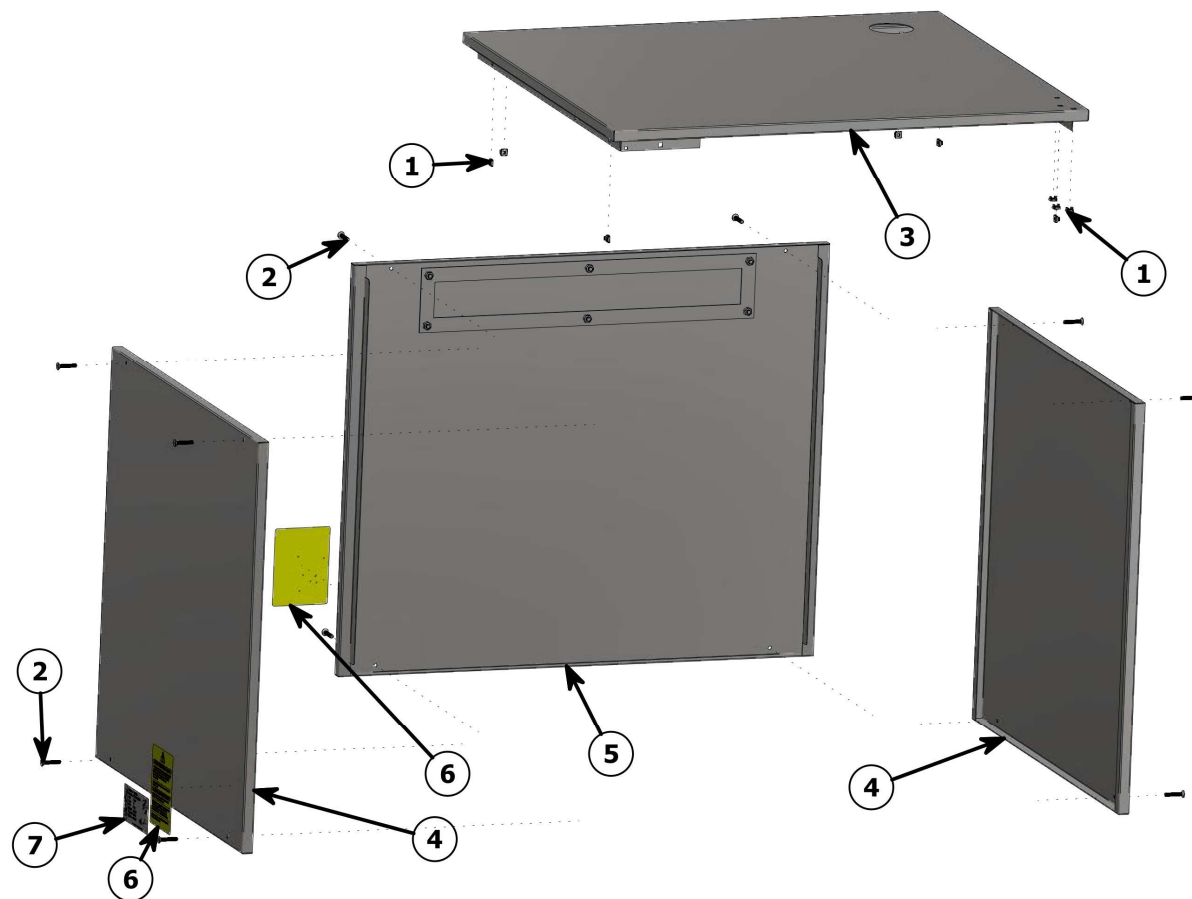
Item	Part Num.	Description	QTY
1	20081	Nut M6 - M6M FZB	2
2	20997	Main door bushing hinge - Upper	1
3	20998	Main door bushing hinge - Lower	1
4	20999	Main door lock - Hook holder	1
5	31247	Basket door roller - Lower	2
6	31248	Basket door roller center bolt	3
7	31330	Basket door roller - Upper	1
8	32308	Screw - M4x6 Ph A2	4
9	32321	Main door lock - Thread cover NSF	1
10	63637	Metal lock cover - Basket door sensor	1
11	63640	Basket door sensor - Complete assembly	1
12	95105	Main door - Main body	1
21	20629	Screw Torx - M3x16 FZB	2
22	20835	Nut Nylon Lock - M3 FZB	2
23	63638	Basket door sensor - Main body	1
24	63865	Basket door sensor - Bended	1

7 OVEN CHAMBER AND INSIDE PARTS

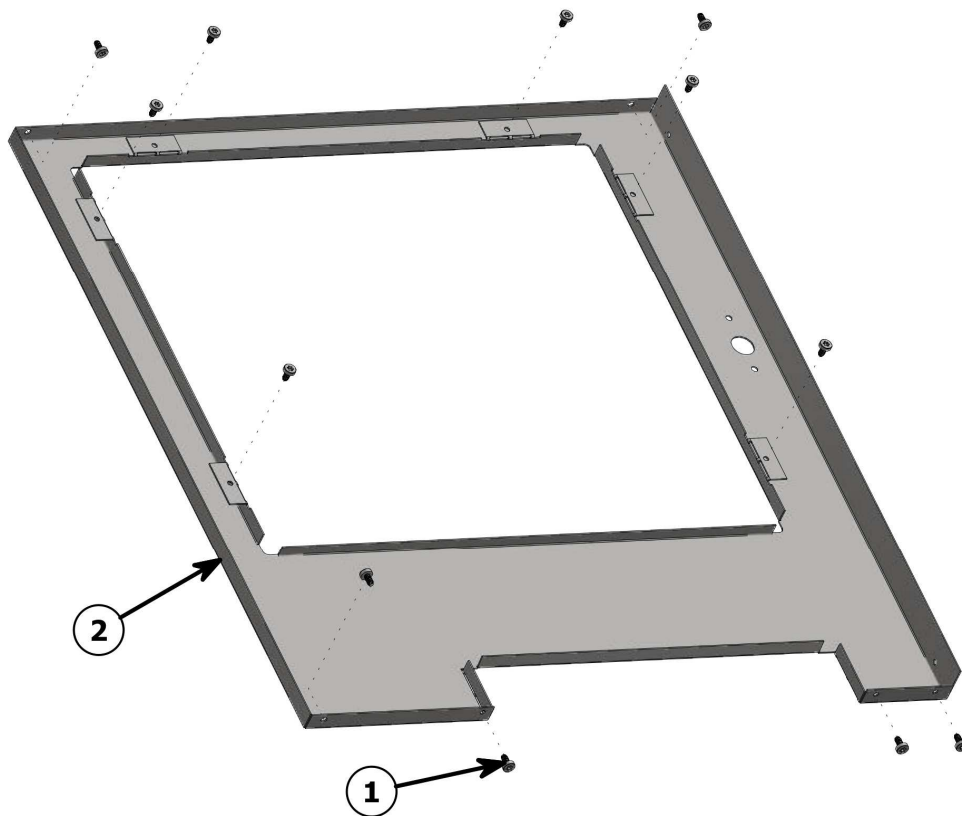


Item	Part Num.	Description	QTY
1	20053	Lock washer - M6 - Nordlock	6
2	20256	Lock Nut - M5 - A2	4
3	20554	Nut Dome Cap - M6 A2	7
4	21131	Screw - M5x8 - M6S A4	4
5	63599	LF12E oven space	1
6	63687	Ovenchamber particle dripping box	1
7	63697	Ovenchamber washing filter plate	1
8	63760	Ovenchamber protection front plate - Left	1
9	63761	Ovenchamber protection front plate - Right	1
10	68334	Oven chamber - Corner fixture gasket Left	1
11	68335	Oven chamber - Corner fixture gasket Right	1
12	68419	Oven chamber bottom airguidance plate	1
13	95150	Oven chamber air guidance NSF	1

8 OUTSIDE PANELS

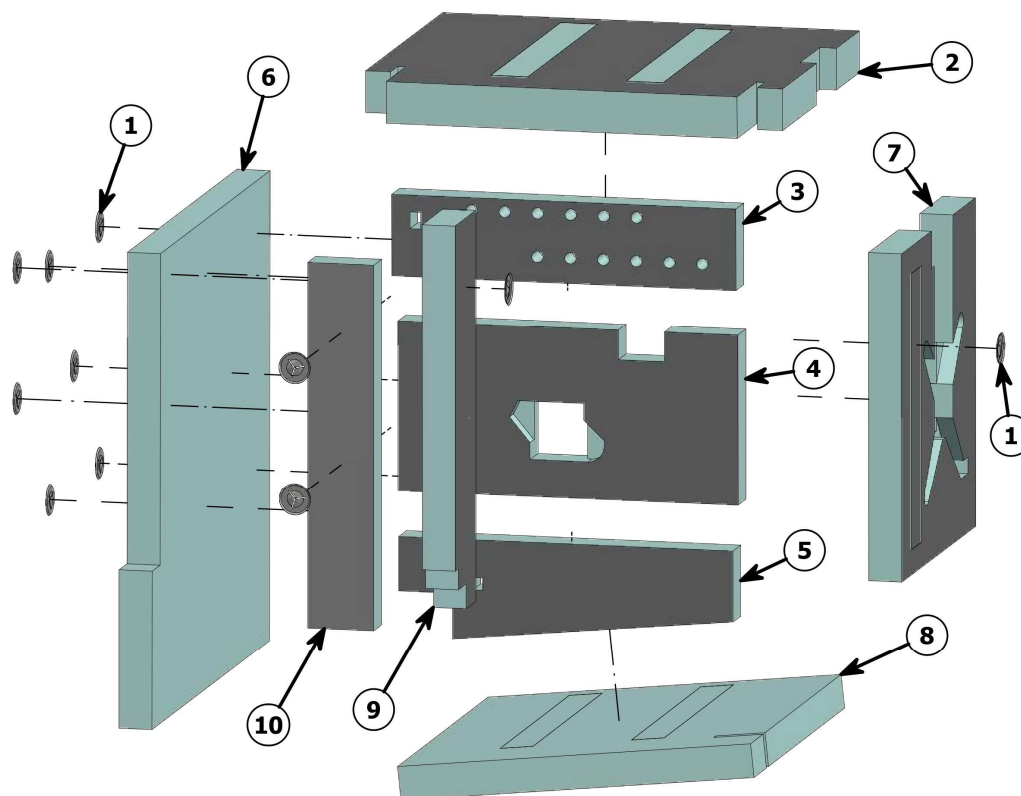


Item	Part Num.	Description	QTY
1	20129	Cage Nut M5 - SMG M5-6 Z	9
2	20647	Screw - M5x25 A2 - Slotted countersunk	12
3	63763	LF12E - Outer panel - Top	1
4	63765	LF12E - Outer panel - Right/Left	2
5	63767	LF12E - Outer panel - Back	1
6	95015	Warning + caution sticker ETL+NSF	2
7	95010	Marking plate label LF12U	1



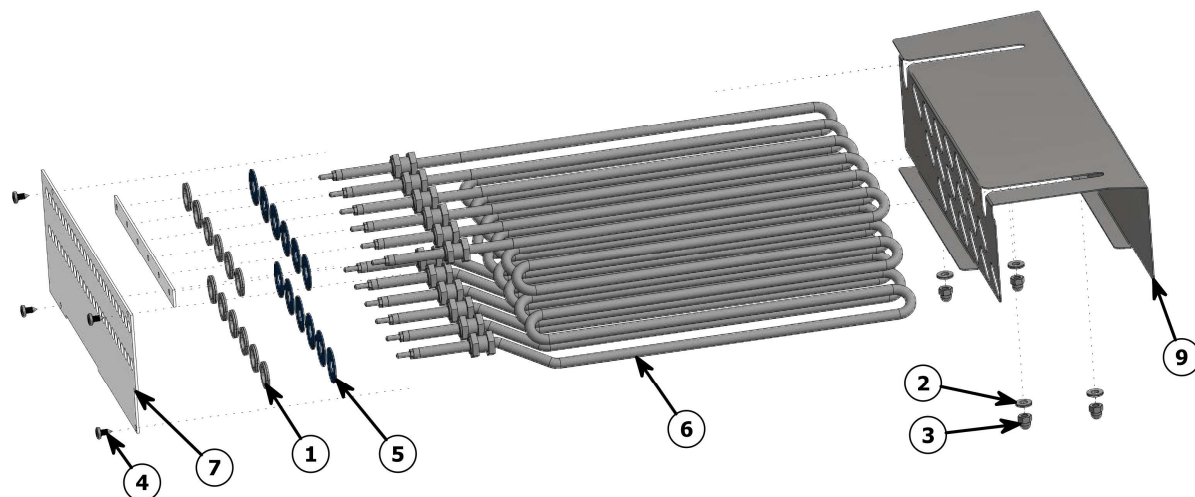
<i>Item</i>	<i>Part Num.</i>	<i>Description</i>	<i>QTY</i>
1	32150	Screw Torx fastite – 5x9 FZB	12
2	63582	LF12E - Front panel	1

9 ISOLATION MATERIAL



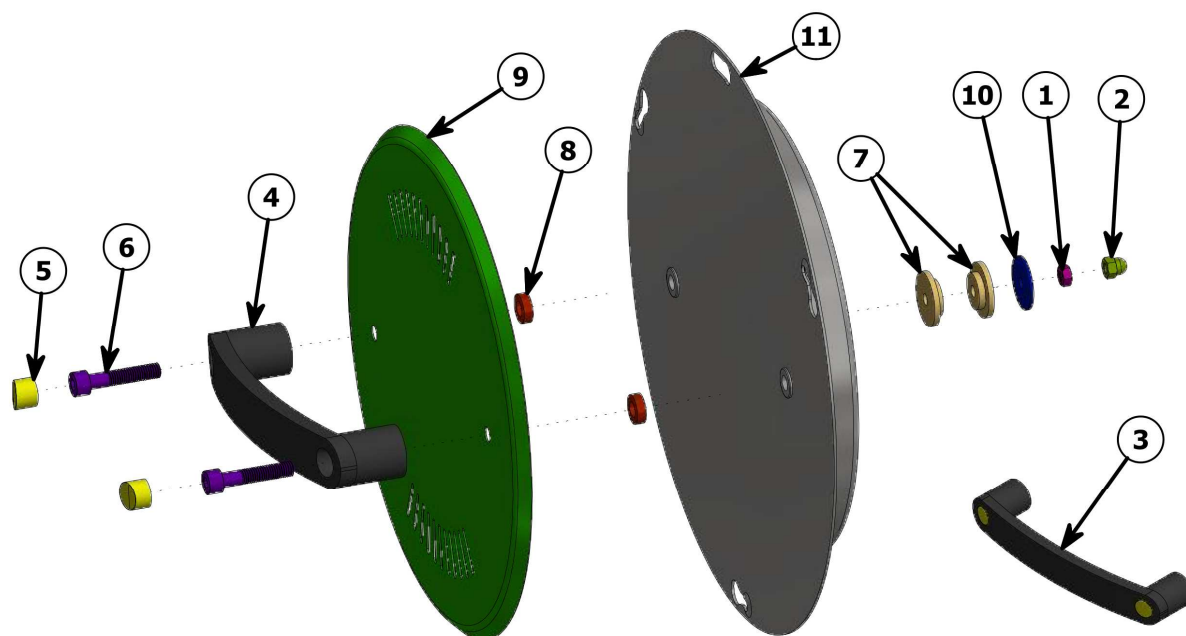
Item	Part Num.	Description	QTY
1	20667	Washer starlock - Isolation - Ø38 A2	12
2	32080	Isolation material - Top	1
3	32081	Isolation material - Elements	1
4	32082	Isolation material - Back - Basket assembly	1
5	32083	Isolation material - Back - Pressure sens.	1
6	32084	Isolation material - Right side	1
7	32085	Isolation material - Left FAN side	1
8	32086	Isolation material - Bottom	1
9	32087	Isolation material - Chimney - Side	1
10	32088	Isolation material - Chimney - Back	1

10 HEATING ELEMENTS



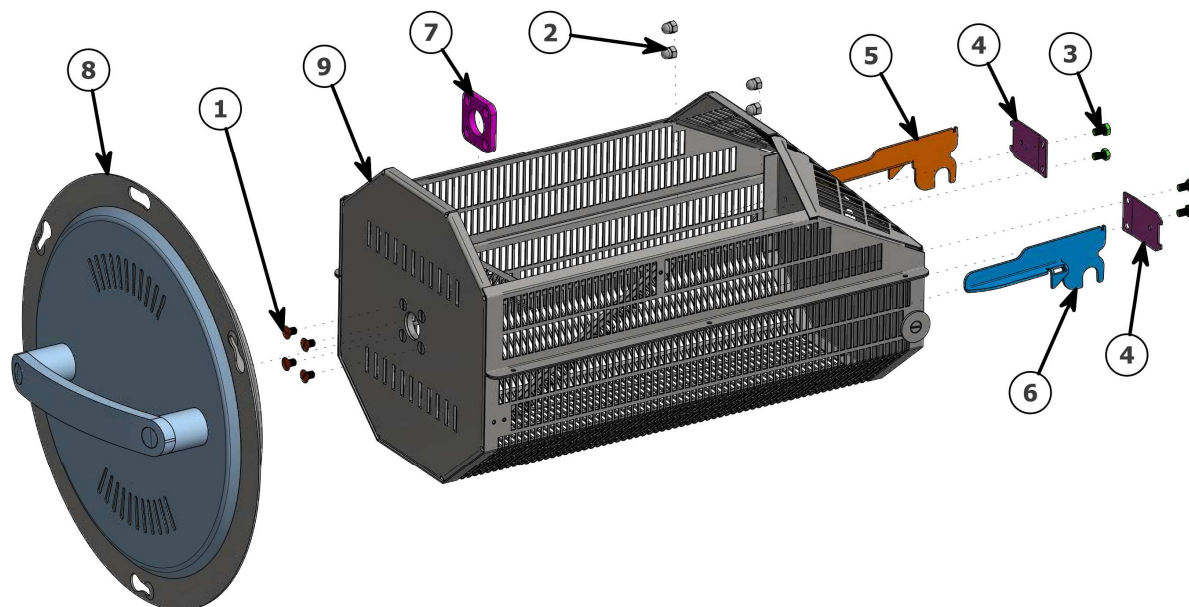
Item	Part Num.	Description	QTY
1	20050	Lock washer - Elements - Nordlock	12
2	20053	Lock washer - M6 - Nordlock	4
3	20554	Nut Dome Cap - M6 A2	4
4	20694	Screw Torx - B12x10 FZB	4
5	31251	Seal washer - Elements	12
6	31255	Element 2,5 kW 230V - Nuts included	6
7	31278	PET Protection - Elements	1
8	63752	Neutral metal plate - Elements	1
9	63759	Elements mounting plate - Inside chamber	1

11 BASKET DOOR - 63646



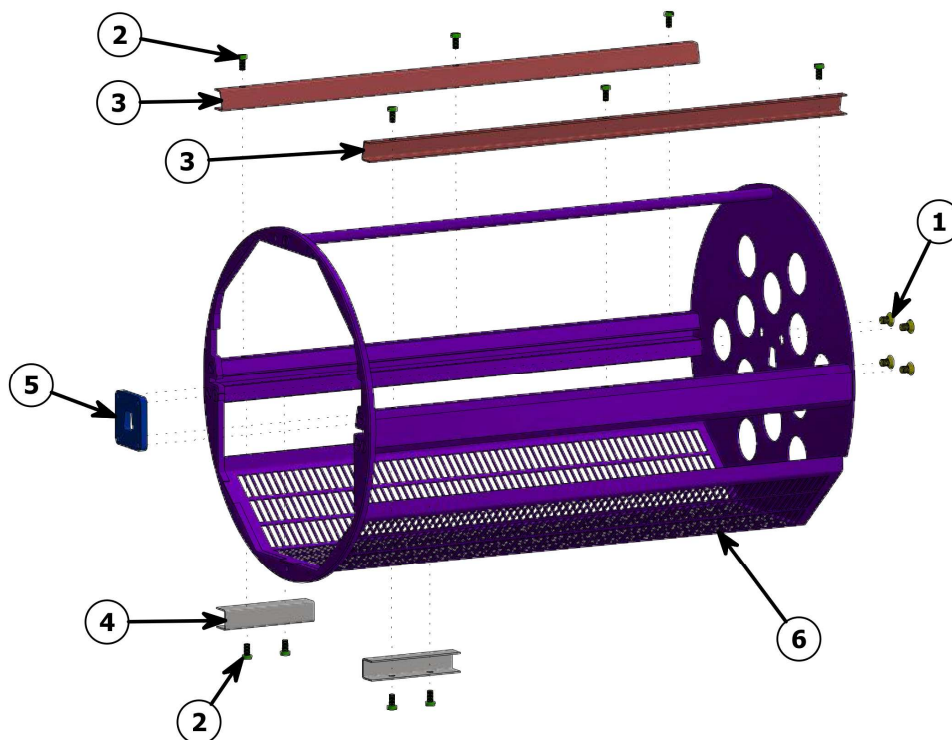
Item	Part Num.	Description	QTY
1	20082	Nut - M6 – A2	1
2	20554	Nut Dome Cap - M6 A2	1
3	21000	Basket handle set - handle and 2x caps	1
4	21000.01	Basket handle - handle only	1
5	21000.02	Basket handle screw cap 2pc - Yellow	2
6	21135	Screw - Socket Hex - M8x40 FZB	2
7	31245	Basket door - Axle bussing	2
8	31425	Basket door - Distance washer for cool plate	2
9	63643	Basket door - Temperature shield plate	1
10	63644	Basket door - Axle washer	1
11	63647	Basket door main body	1

12 INNER BASKET - 95250



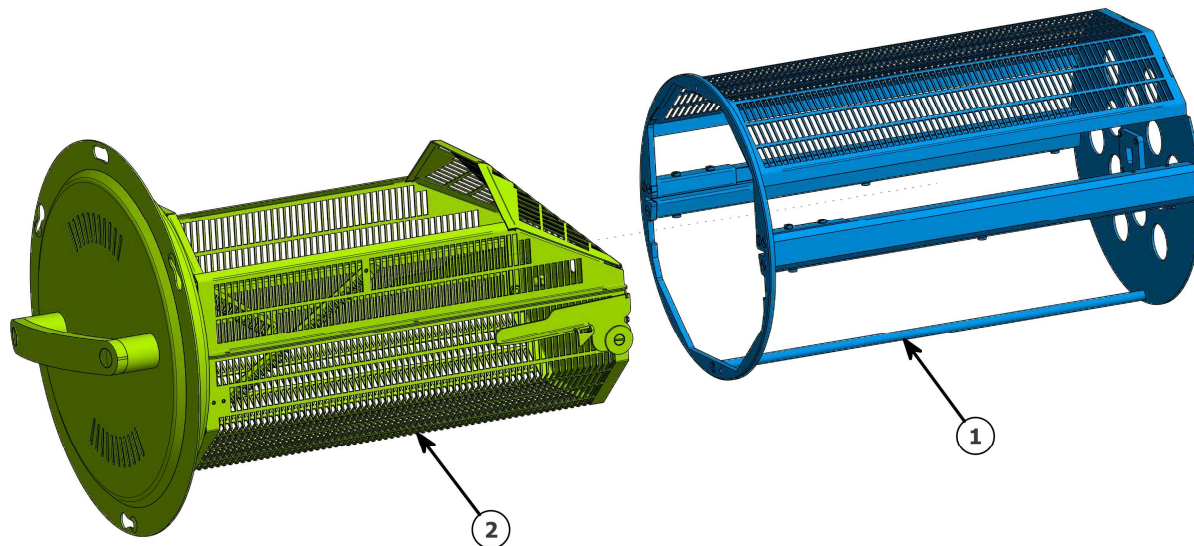
Item	Part Num.	Description	QTY
1	20602	Screw - M5x8 A2 - Slotted countersunk	4
2	20606	Nut Dome Cap - M5 - A4	4
3	21131	Screw - M5x8 - M6S A4	4
4	63616	Inner basket lock spring plate	2
5	63617	Inner basket lock bracket - Left	1
6	63618	Inner basket lock bracket - Right	1
7	63622	Inner basket bearing plate	1
8	63646	Basket door complete set	1
9	95241	Inner basket assembly NSF	1

13 OUTER BASKET - 63630



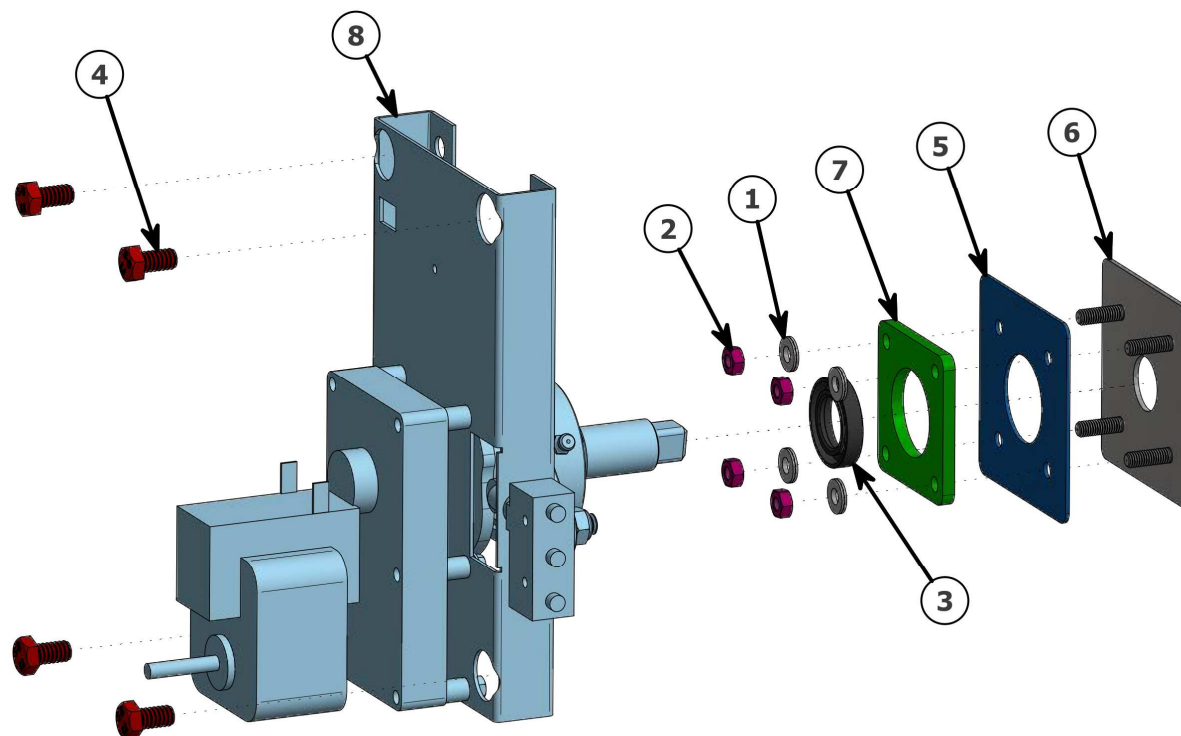
<i>Item</i>	<i>Part Num.</i>	<i>Description</i>	<i>QTY</i>
1	20602	Screw - M5x8 A4 - Slotted countersunk	4
2	20652	Screw - M5x8 A4 - Slotted pan head	10
3	63611	Outer basket - Bottom slide rail coated	2
4	63612	Outer basket - Upper slide rail coated	2
5	63624	Outer basket - Drive socket axle	1
6	63629	Outer basket main body	1

14 BASKET ASSEMBLY



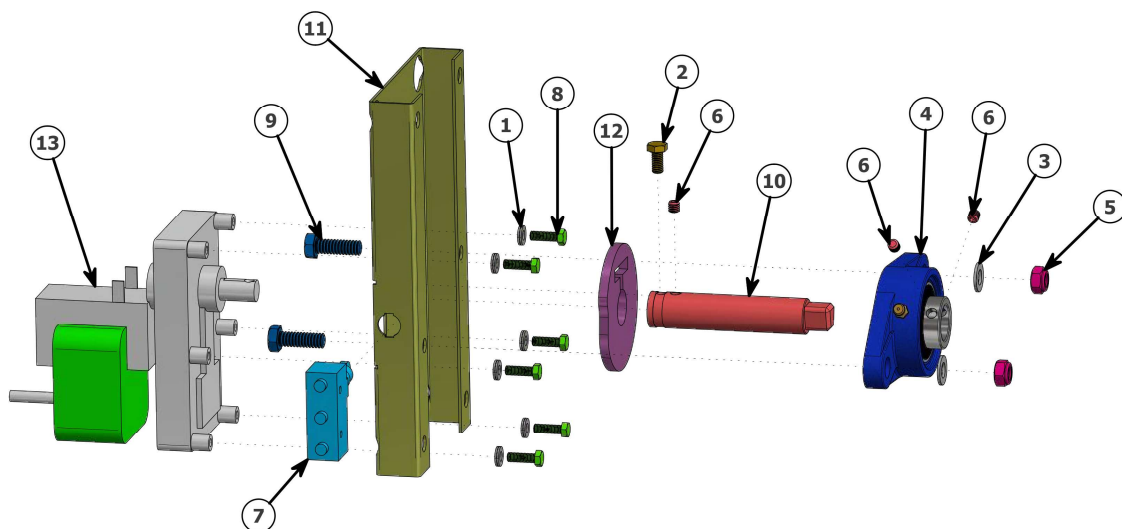
<i>Item</i>	<i>Part Num.</i>	<i>Description</i>	<i>QTY</i>
1	63630	Outer basket complete set	1
2	95250	Inner basket with basket door complete set - NSF	1

15 BASKET ROTATION



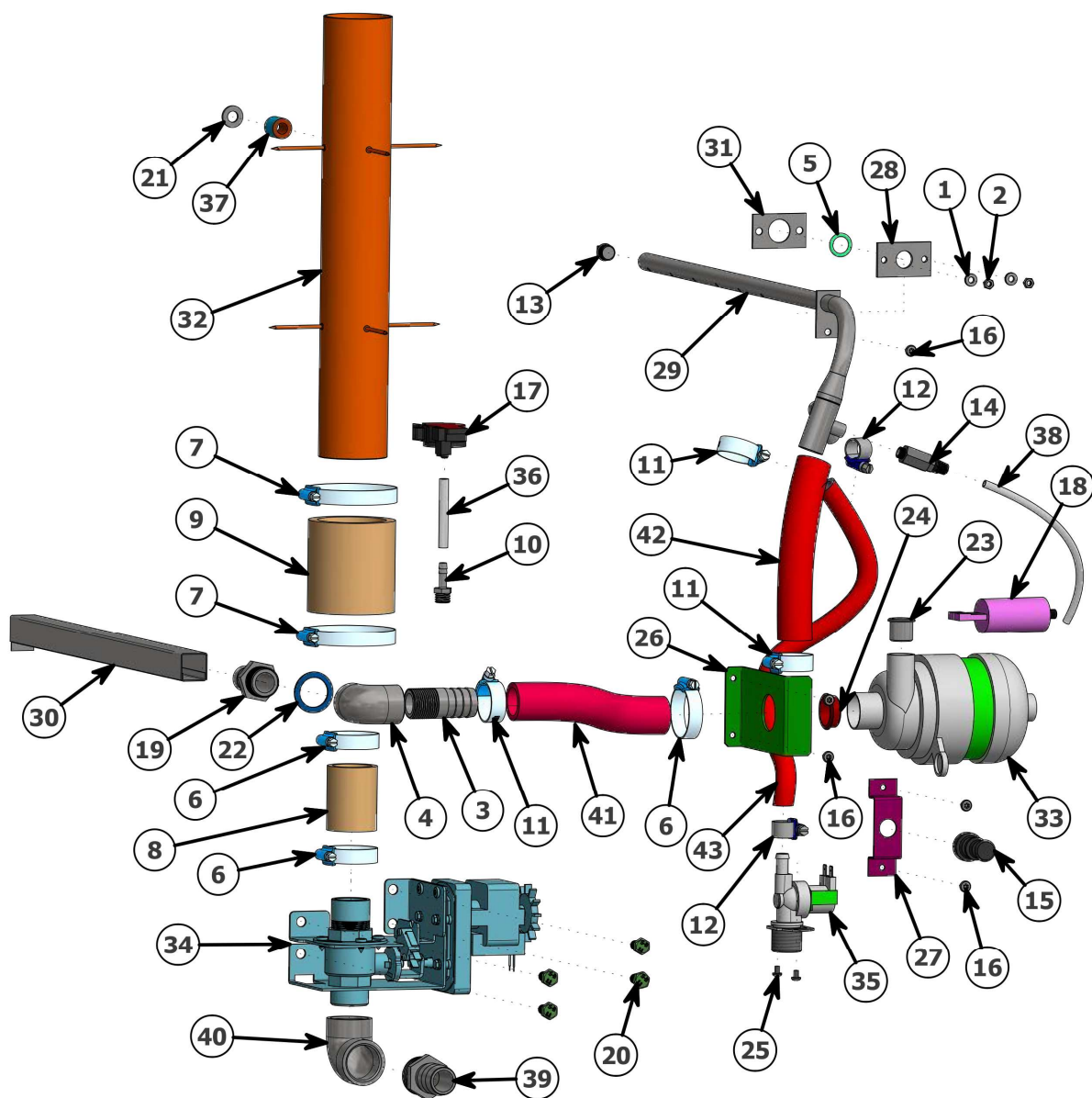
<i>Item</i>	<i>Part Num.</i>	<i>Description</i>	<i>QTY</i>
1	20053	Lock washer - M6 - Nordlock	4
2	20081	Nut M6 - A2	4
3	20313	Radial shaft seal - Basket rotation	1
4	21200	Screw Hex - M8x15 FZB	4
5	31253	Basket rotation seal plate	1
6	63585	Basket rotation seal metal plate v2	1
7	63755	Basket rotation axial seal metal plate	1
8	63903	Basket Rotation - Complete Assembly UL	1

16 BASKET ROTATION ASSEMBLY - 63903



Item	Part Num.	Description	QTY
1	20052	Lock washer - M5 - Nordlock	6
2	20073	Screw - M6x12 - FZB M6S	1
3	20271	Washer M8 FZB	2
4	20308	Basket Rotation Bearing	1
5	20524	Nut Nylon lock - M8 FZB	2
6	20614	Screw hex socket - M6x6 A2	3
7	20641	Switch sensor - Basket rotation	1
8	20642	Screw Hex - M5x16 FZB	6
9	20683	Screw Hex - M8x25 FZB	2
10	31272	Basket rotation axle	1
11	63668	Baseplate basket rotation assembly	1
12	63669	Camsaft sensor basket rotation	1
13	63900	Basket rotation motor 115v 60Hz 5.3rpm UL	1

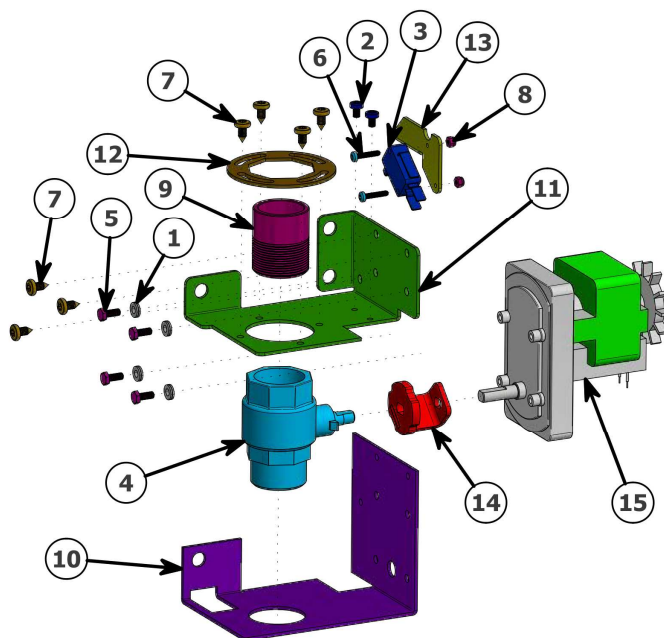
17 WASH SYSTEM



Item	Part Num.	Description	QTY
1	20052	Lock washer - M5 - Nordlock	2
2	20251	Nut - M5 - A2	2
3	20506	Hose nipple - Wash system	1
4	20556	Elbow brass connection - Wash system	1
5	20558	Wash pipe O-Ring seal	1
6	20562	Hose clamp - Drain 3244	3
7	20563	Hose clamp - Chimney - 5875	2

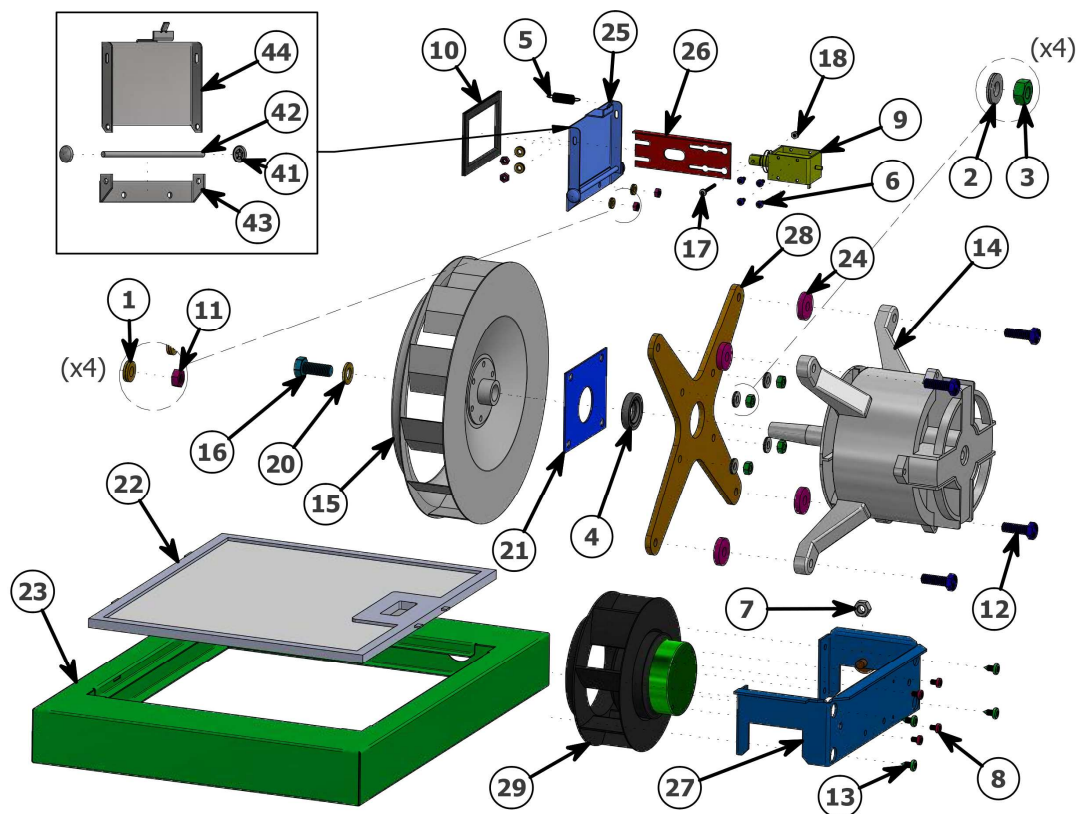
8	20565	Hose - Ovenchamber drain - Ø34-57mm	1
9	20566	Hose - Chimney oven chamber - Ø60-80mm	1
10	20567	Hose nipple - Pressure sensor - G20-26mm	1
11	20568	Hose clamp - Wash pipe hose - 2232	3
12	20569	Hose clamp - Incoming water - 1525	2
13	20575	Wash pipe - End cap	1
14	20649	Detergent check valve	1
15	20663	Rubber damper wash pump	1
16	20694	Screw Torx - B12x10 FZB	5
17	20709	Pressure sensor	1
18	20710.1	Wash pump motor Capacitor	1
19	20965	Hose nipple - Filter wash system	1
20	21200	Screw Hex - M8x15 FZB	4
21	30702	Washer - M10 A4 - Ø19x2	1
22	31254	Seal washer - Washing intake - Ø26x1.5mm	1
23	31279	Hose bushing - Wash pump outgoing	1
24	31360	Hose bushing - Wash pump incoming	1
25	32308	Screw - M4x6 Ph A2	2
26	63565	Mounting plate - Wash pump	1
27	63566	Mounting plate - Wash pump rubber damper	1
28	63588	Mounting plate O-ring wash pipe - Outer	1
29	63674	Wash pipe assembly complete	1
30	63700	Incoming water filter - Wash pump	1
31	63762	Mounting plate O-ring wash pipe - Middle	1
32	63857	Chimney pipe with nails	1
33	63910	Wash pump + Capacitor - 120v 60Hz UL	1
34	63918	Drain assembly UL - Complete set	1
35	63920	Magnetic Water Valve - 120V 60Hz 180° UL	1
36	65916	Hose - Pressure sensor	1
37	65917	Hose - Chimney dripping water - Ø10-20mm	1
38	65920	Hose - Detergent - Ø6.3 - Custom length	1
39	92005	Hose nipple SS - Drain out	1
40	92014	Elbow connection SS - Drain system	1
41	95203	Hose - Pump intake	1
42	95216	Hose - Pump washpipe	1
43	95218	Hose - Incoming water	1

18 DRAIN ASSEMBLY - 63918



Item	Part Num.	Description	QTY
1	20051	Lock washer - M4 - Nordlock	4
2	20497	Screw Torx - M4x6 FZB	2
3	20611	Drain switch sensor	1
4	20612	Drain ball valve	1
5	20613	Screw hex - M4x10 FZB	4
6	20629	Screw Torx - M3x16 FZB	2
7	20694	Screw Torx - B12x10 FZB	7
8	20835	Nut Nylon Lock - M3 FZB	2
9	31273	Drain connection pipe 33.7	1
10	63660	Drain assembly base plate - Lower	1
11	63661	Drain assembly base plate - Upper	1
12	63662	Drain valve adjustable upper bracket	1
13	63663	Drain sensor bracket	1
14	63666	Drain axle - cam sensor	1
15	63915	Drain Motor 115v 60Hz 10rpm UL	1

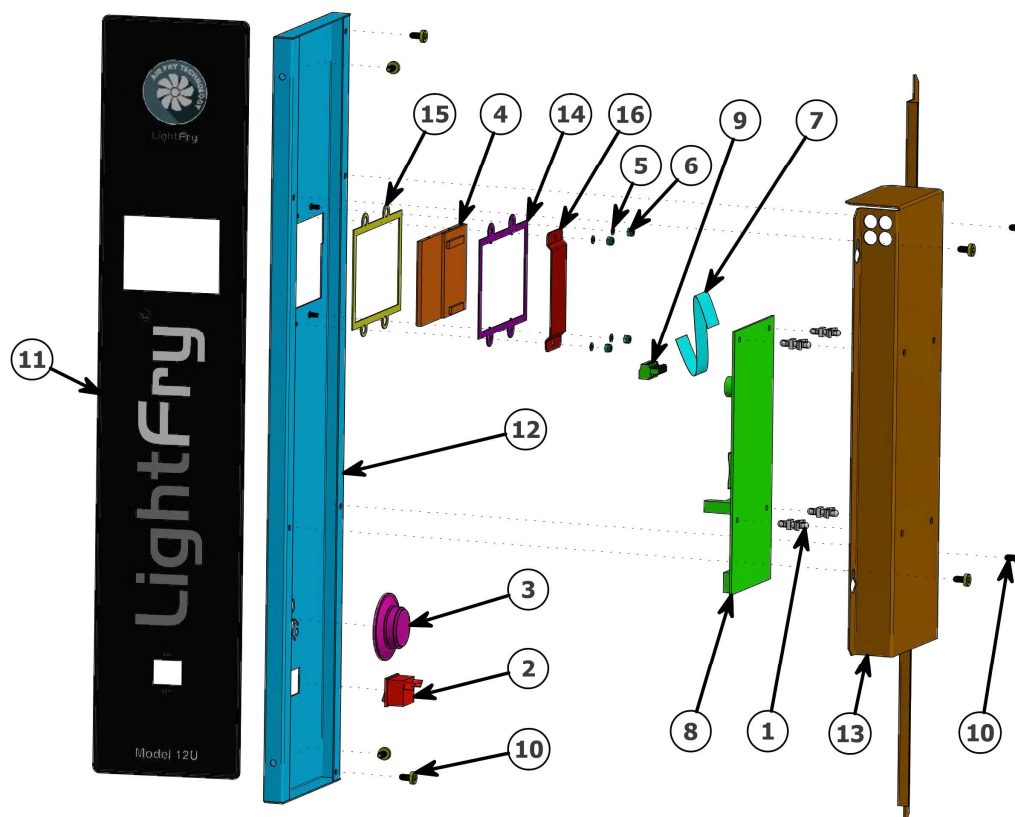
19 MAIN FAN AND VENTILATION



Item	Part Num.	Description	QTY
1	20051	Lock washer - M4 - Nordlock	4
2	20053	Lock washer - M6 - Nordlock	4
3	20081	Nut M6 - A2	4
4	20325	Radial shaft seal - FAN motor	1
5	20392	Pull spring - Crisp hatch	1
6	20430	Screw Torx - M3x6 FZB	4
7	20494	Nut - M8 FZB	1
8	20497	Screw Torx - M4x6 FZB	4
9	20557	Ventilation solenoid	1
10	20669	Silicone gasket - Ventilation hatch	1
11	20673	Nut - M4 - A2	4
12	20683	Screw Hex - M8x25 FZB	4
13	20694	Screw Torx - B12x10 FZB	4
14	20711	FAN motor - 3P 400v 0.1kW CE+UL	1
15	20713	Fan wheel	1
16	20714	Screw - M10x25 - A4 M6S	1

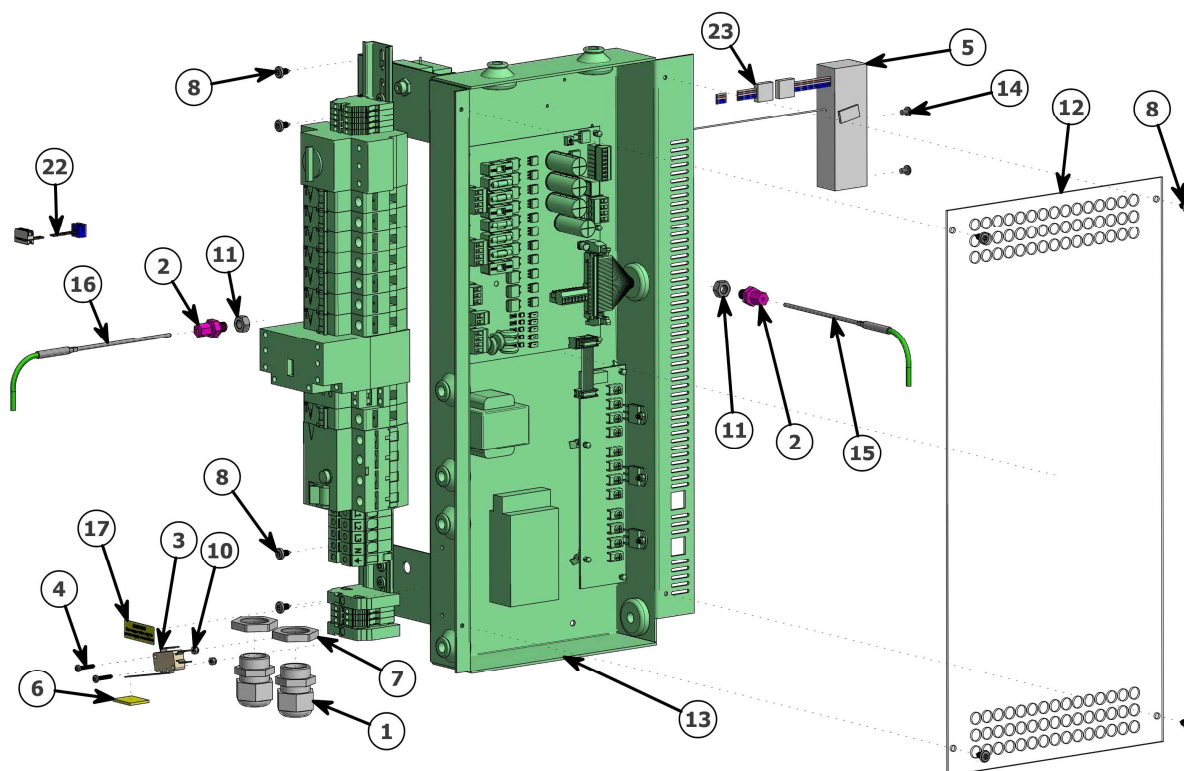
17	20829	Screw Torx - M3x25 FZB	1
18	20835	Nut Nylon Lock - M3 FZB	1
20	30702	Washer - M10 A4 - Ø19x2	1
21	31250	Seal plate FAN Motor	1
22	31268	Air filter 250x293	1
23	63562	Air filter metal holder box	1
24	63572	Distance washer FAN motor	4
25	63598	Crisp ventilation hatch - Assembly	1
26	63601	Ventilation solenoid mounting plate	1
27	63753	Ventilation motor holding plate	1
28	63756	FAN motor mounting plate	1
29	63905	Ventilation motor 115v 60Hz UL	1
41	20795	Crisp ventilation hatch - End Cap	2
42	31262	Crisp ventilation hatch - Rod	1
43	63602	Crisp ventilation hatch - Mount bracket	1
44	63603	Crisp ventilation hatch - Hatch plate	1

20 FRONT LCD PANEL



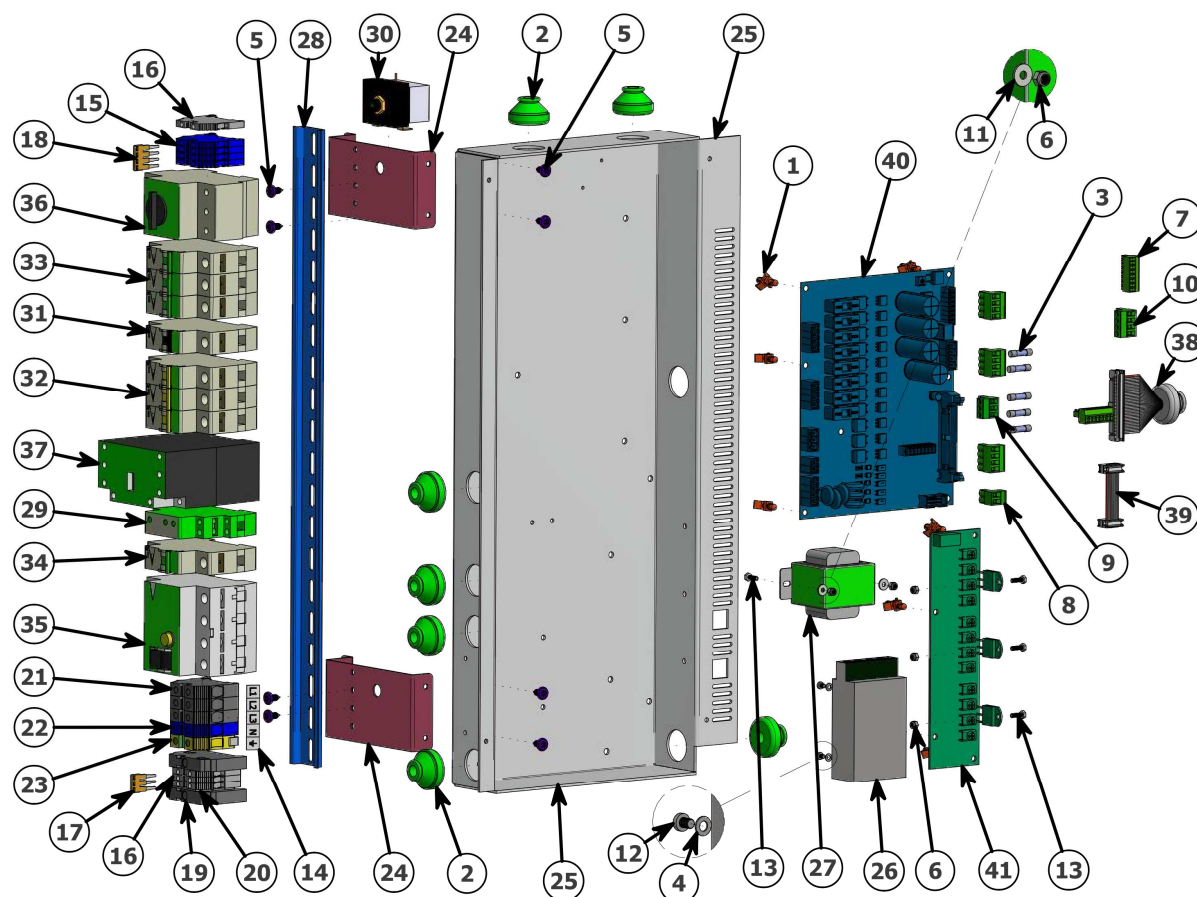
Item	Part Num.	Description	QTY
1	20621	PCB plastic spacer	4
2	20623	LF12E Power switch	1
3	20639	LF12E Speaker with cables	1
4	91008	LF12E Touch screen display glossy	1
5	20686	Washer - M3 - Ø3,2x6,0 FZB	4
6	20835	Nut Nylon Lock - M3 FZB	4
7	20964	Display flat cable	1
8	31280	LF12E CPU Board CE/UL	1
9	32104	Terminal block connector 5P 3.5mm	1
10	32150	Screw torx fastite 5x9 FZB	8
11	39105	Lightfry 12U - Front sticker	1
12	63680	Front panel - Main body plate assembly	1
13	63681	CPU Board metal box	1
14	63682	Display holder - Top part	1
15	63683	Display holder - Bottom part	1
16	63684	Display holder - Extra bracket	1

21 ELECTRICAL SYSTEM



Item	Part Num.	Description	QTY
1	20545	Cable protection gland - Power, Detergent	2
2	20564	Temperature sensor mounting screw	2
3	20617	Water leakage switch sensor 85C	1
4	20629	Screw Torx - M3x16 FZB	2
5	20644	Door electromagnetic lock	1
6	20650	Water leakage consumable 17x21	1
7	20681	Nut Plastic M25 t=6	2
8	20694	Screw Torx - B12x10 FZB	8
10	20835	Nut Nylon Lock - M3 FZB	2
11	20950	Nut - M8x1 - A4	2
12	31277	Transparent plastic protection - Power boards	1
13	31282	Electrical cable kit complete - UL Version	1
14	32308	Screw - M4x6 Ph A2	2
15	65872	Temperature sensor - Left side	1
16	65873	Temperature sensor - Back side	1
17	95030	Caution copper wire sticker UL	1
22	93715	Pressure sensor cable assembly	1
23	93140	Doorlock cable complete	1

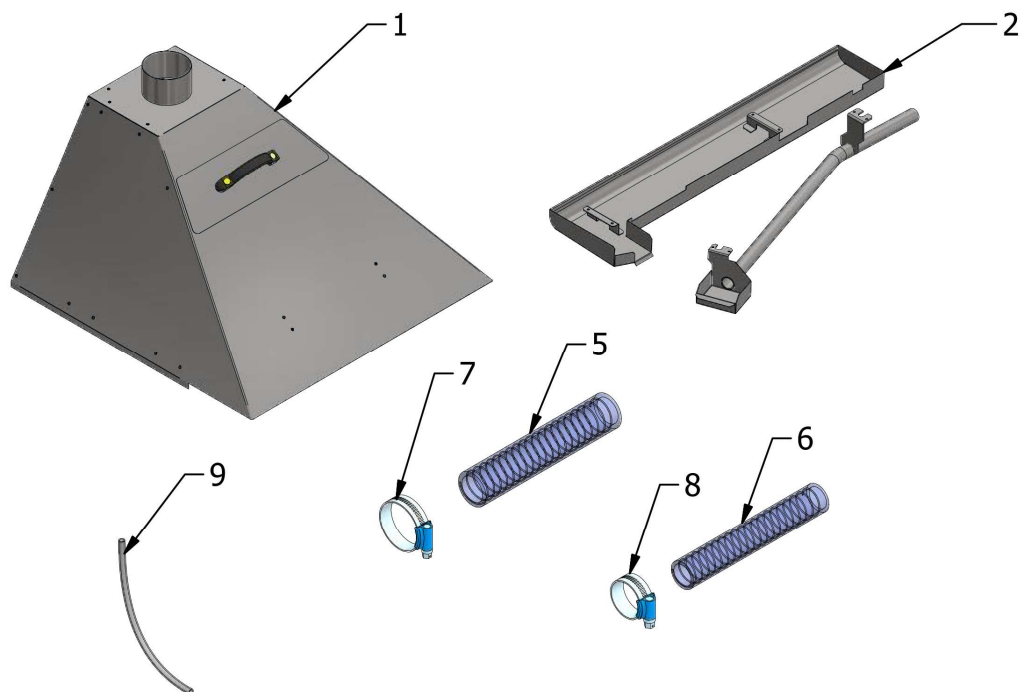
22 ELECTRICAL CABLE KIT - 31282



Item	Part Num.	Description	QTY
1	20621	PCB plastic spacer	10
2	20622	Cable rubber protector M25	7
3	20662	Glass fuse 1A	5
4	20686	Washer - M3 - Ø3,2x6,0 FZB	2
5	20694	Screw Torx - B12x10 FZB	8
6	20835	Nut Nylon Lock - M3 FZB	5
7	32100	Terminal block connector 8P3.5mm	2
8	32101	Terminal block connector 2P5.08mm	1
9	32102	Terminal block connector 3P5.08mm	1
10	32103	Terminal block connector 4P5.08mm	4
11	32110	Washer - M3 FZB - 3.3x8.8x0.9	2
12	32111	Screw Philips - M3x4 FZB	2
13	32112	Screw hex - M3x10 FZB	5
14	42280	Terminal marking L1-3+N+PE	1
15	42281	DIN connector 2.5mm ² - Blue UL	4

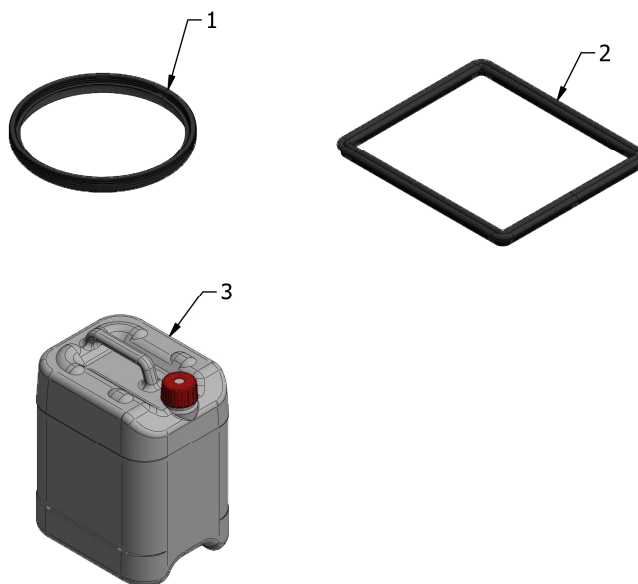
16	42282	DIN connector 2.5mm ² - Grey UL	4
17	42283	DIN jumper connector - 3 UL	1
18	42284	DIN jumper connector - 4 UL	1
19	42285	DIN end bracket UL	2
20	42286	DIN end plate 2.5mm ² - Grey UL	1
21	42287	DIN connector 10mm ² - Grey UL	3
22	42288	DIN connector 10mm ² - Blue UL	1
23	42289	DIN connector 10mm ² – Green Yellow UL	1
24	63567	Electronic box metal holder plate	2
25	63686	Electrical-Power Boards aluminium box	1
26	67200	Power supply 12v	1
27	67203	Transformer 24v UL	1
28	67210	DIN rail - 500mm	1
29	67241	Timer relay - Ventilation	1
30	67242	Overheat mechanical protection 300°	1
31	67243	Shunt release TRIP - UL	1
32	67255	Fuse 3 phase - 25A - UL	1
33	67256	Fuse 3 phase - 6A - UL	1
34	67257	Fuse 1 phase - 6A - UL	1
35	67258	Ground current circuit breaker - UL	1
36	67261	Motor protection 3 phase - 1.6A - UL	1
37	67271	Main contactor 3 phase - 25A - UL	1
38	67290	CPU-LPB flat cable assembly	1
39	67291	LPB-HPB flat cable assembly	1
40	91011	Low Power Board (LPB) - CE/UL	1
41	91018	High power board (HPB) CE/UL	1

23 ACCESSORIES



Item	Part Num.	Description	QTY
1	63985	LF12E Ventilation hood	1
2	64810	LF12E Dripping tray	1
5	32070	Drain hose $\varnothing 32\text{-}\varnothing 24$	1
6	32071	Dripping tray hose $\varnothing 26\text{-}\varnothing 20$	1
7	20562	Hose clamp - Drain 3244	1
8	20568	Hose clamp - Wash pipe hose - 2232	1
9	65920	Hose - Detergent - $\varnothing 6.3$ - Custom length	1

24 LF12E CONSUMABLES



<i>Item</i>	<i>Part Num.</i>	<i>Description</i>	<i>QTY</i>
1	31263	Silicone gasket - Round basket door	1
2	31261	Silicone gasket - Main door square	1
3		Washing detergent – ECOLAB Mip SMX 24kg (Recommended)	1
		Washing detergent – ECOLAB Mip SMA 24kg	1
		Washing detergent – ECOLAB Mip SCA 24kg	1

25 INDEX – PART NUMBER

Art.	Description	Page	Art.	Description	Page
20050	Lock washer - Elements - Nordlock	13	20565	Hose - Ovenchamber drain - Ø34-57mm	20
20051	Lock washer - M4 - Nordlock	22	20566	Hose - Chimney oven chamber - Ø60-80mm	20
20051	Lock washer - M4 - Nordlock	23	20567	Hose nipple - Pressure sensor - G20-26mm	20
20052	Lock washer - M5 - Nordlock	19	20568	Hose damp - Wash pipe hose - 2232	20
20052	Lock washer - M5 - Nordlock	20	20568	Hose damp - Wash pipe hose - 2232	29
20053	Lock washer - M6 - Nordlock	9	20569	Hose damp - Incoming water - 1525	20
20053	Lock washer - M6 - Nordlock	13	20575	Wash pipe - End cap	20
20053	Lock washer - M6 - Nordlock	18	20602	Screw - M5x8 A2 - Slotted countersunk	15
20053	Lock washer - M6 - Nordlock	23	20602	Screw - M5x8 A4 - Slotted countersunk	16
20073	Screw - M6x12 - FZB M6S	19	20604	Rivet Ø3,2x6 A2	6
20081	Nut M6 - M6M FZB	8	20606	Nut Dome Cap - M5 - A4	15
20081	Nut M6 - A2	18	20607	Screw - M5x10 A2 - Counter sunk slotted	7
20081	Nut M6 - A2	23	20609	Screw - M5x10 A2	7
20082	Nut - M6 - A2	14	20611	Drain switch sensor	22
20129	Cage Nut M5 - SMG M5-6Z	5	20612	Drain ball valve	22
20129	Cage Nut M5 - SMG M5-6Z	10	20613	Screw hex - M4x10 FZB	22
20251	Nut - M5 - A2	20	20614	Screw hex socket - M6x6 A2	19
20256	Lock Nut - M5 - A2	9	20617	Water leakage switch sensor 85C	26
20271	Washer M8 FZB	19	20621	PCB plastic spacer	25
20308	Basket Rotation Bearing	19	20621	PCB plastic spacer	27
20313	Radial shaft seal - Basket rotation	18	20622	Cable rubber protector M25	6
20325	Radial shaft seal - FAN motor	23	20622	Cable rubber protector M25	27
20392	Pull spring - Crisp hatch	23	20623	LF12E Power switch	25
20430	Screw Torx - M3x6 FZB	23	20629	Screw Torx - M3x16 FZB	8
20494	Nut - M8 FZB	23	20629	Screw Torx - M3x16 FZB	22
20497	Screw Torx - M4x6 FZB	22	20629	Screw Torx - M3x16 FZB	26
20497	Screw Torx - M4x6 FZB	23	20639	LF12E Speaker with cables	25
20506	Hose nipple - Wash system	20	20640	LF12E Touch screen display	25
20524	Nut Nylon lock - M8 FZB	19	20641	Switch sensor - Basket rotation	19
20545	Cable protection gland - Power, Detergent	26	20642	Screw Hex - M5x16 FZB	19
20554	Nut Dome Cap - M6 A2	9	20644	Door electromagnetic lock	26
20554	Nut Dome Cap - M6 A2	13	20647	Screw - M5x25 A2 - Slotted countersunk	10
20554	Nut Dome Cap - M6 A2	14	20649	Detergent check valve	20
20556	Elbow brass connection - Wash system	20	20650	Water leakage consumable 17x21	26
20557	Ventilation solenoid 12v	23	20652	Screw - M5x8 A4 - Slotted pan head	16
20558	Wash pipe O-Ring seal	20	20653	Cable tie push mount base Ø5.8	5
20562	Hose damp - Drain 3244	20	20653	Cable tie push mount base Ø5.8	6
20562	Hose damp - Drain 3244	29	20662	Glass fuse 1A	27
20563	Hose damp - Chimney - 5875	20	20663	Rubber damper wash pump	20
20564	Temperature sensor mounting screw	26	20667	Washer starlock - Isolation - Ø38 A2	12

Art.	Description	Page	Art.	Description	Page
20669	Silicone gasket - Ventilation hatch	23	31247	Basket door roller - Lower	8
20673	Nut - M4 - A2	23	31248	Basket door roller center bolt	8
20681	Nut Plastic M25 t=6	26	31250	Seal plate FAN Motor	23
20683	Screw Hex - M8x25 FZB	19	31251	Seal washer - Elements	13
20683	Screw Hex - M8x25 FZB	23	31253	Basket rotation seal plate	18
20686	Washer - M3 - Ø3,2x6,0 FZB	25	31254	Seal washer - Washing intake - Ø26x1.5mm	20
20686	Washer - M3 - Ø3,2x6,0 FZB	27	31255	Element 2,5 kW 230V - Nuts included	13
20694	Screw Torx - B12x10 FZB	6	31262	Crisp ventilation hatch - Rod	23
20694	Screw Torx - B12x10 FZB	13	31263	Silicone gasket - Round basket door	7
20694	Screw Torx - B12x10 FZB	20	31268	Air filter 250x293	23
20694	Screw Torx - B12x10 FZB	22	31272	Basket rotation axle	19
20694	Screw Torx - B12x10 FZB	23	31273	Drain connection pipe 33.7	22
20694	Screw Torx - B12x10 FZB	26	31277	Transparent plastic protection - Power boards	26
20694	Screw Torx - B12x10 FZB	27	31278	PET Protection - Elements	13
20709	Pressure sensor	20	31279	Hose bushing - Wash pump outgoing	20
20710.1	Wash pump motor Capacitor	20	31280	LF12E CPU Board CE/UL	25
20711	FAN motor - 3P 400v 0.1kW CE+UL	23	31282	Electrical cable kit complete - UL Version	26
20713	Fan wheel	23	31330	Basket door roller - Upper	8
20714	Screw - M10x25 - A4 M6S	23	31360	Hose bushing - Wash pump incoming	20
20795	Crisp ventilation hatch - End Cap	23	31425	Basket door - Distance washer for cool plate	14
20829	Screw Torx - M3x25 FZB	23	32066	Silicone gasket - Main door square	7
20835	Nut Nylon Lock - M3 FZB	8	32070	Drain hose Ø32-Ø24	29
20835	Nut Nylon Lock - M3 FZB	22	32071	Dripping tray hose Ø26-Ø20	29
20835	Nut Nylon Lock - M3 FZB	23	32080	Isolation material - Top	12
20835	Nut Nylon Lock - M3 FZB	25	32081	Isolation material - Elements	12
20835	Nut Nylon Lock - M3 FZB	26	32082	Isolation material - Back - Basket assembly	12
20835	Nut Nylon Lock - M3 FZB	27	32083	Isolation material - Back - Pressure sens.	12
20950	Nut - M8x1 - A4	26	32084	Isolation material - Right side	12
20964	Display flat cable	25	32085	Isolation material - Left FAN side	12
20965	Hose nipple - Filter wash system	20	32086	Isolation material - Bottom	12
20997	Main door bushing hinge - Upper	8	32087	Isolation material - Chimney - Side	12
20998	Main door bushing hinge - Lower	8	32088	Isolation material - Chimney - Back	12
20999	Main door lock - Hook holder	8	32100	Terminal block connector 8P3.5mm	27
21000	Basket handle set - handle and 2x caps	14	32101	Terminal block connector 2P5.08mm	27
21000.01	Basket handle - handle only	14	32102	Terminal block connector 3P5.08mm	27
21000.02	Basket handle screw cap 2pc - Yellow	14	32103	Terminal block connector 4P5.08mm	27
21131	Screw - M5x8 - M6S A4	9	32104	Terminal block connector 5P 3.5mm	25
21131	Screw - M5x8 - M6S A4	15	32110	Washer - M3 FZB - 3.3x8.8x0.9	27
21135	Screw - Socket Hex - M8x40 FZB	14	32111	Screw Philips - M3x4 FZB	27
21200	Screw Hex - M8x15 FZB	5	32112	Screw hex - M3x10 FZB	27
21200	Screw Hex - M8x15 FZB	18	32150	Screw Torx fastite - 5x9 FZB	11
21200	Screw Hex - M8x15 FZB	20	32150	Screw torx fastite 5x9 FZB	25
30702	Washer - M10 A4 - Ø19x2	20	32305	Screw - M3x6 Ph A2	5
30702	Washer - M10 A4 - Ø19x2	23	32308	Screw - M4x6 Ph A2	8
31245	Basket door - Axle bussing	14	32308	Screw - M4x6 Ph A2	20

Art.	Description	Page	Art.	Description	Page
32308	Screw - M4x6 Ph A2	26	63637	Metal lock cover - Basket door sensor	8
32321	Main door lock - Thread cover NSF	8	63638	Basket door sensor - Main body	8
39105	Lightfry 12U - Front sticker	25	63640	Basket door sensor - Complete assembly	8
42260	Half damp door cable	7	63643	Basket door - Temperature shield plate	14
42270	Cable protection conduit	7	63644	Basket door - Axle washer	14
42280	Terminal marking L1-3+N+PE	27	63646	Basket door complete set	15
42281	DIN connector 2.5mm2 - Blue UL	27	63647	Basket door main body	14
42282	DIN connector 2.5mm2 - Grey UL	27	63660	Drain assembly base plate - Lower	22
42283	DIN jumper connector - 3 UL	27	63661	Drain assembly base plate - Upper	22
42284	DIN jumper connector - 4 UL	27	63662	Drain valve adjustable upper bracket	22
42285	DIN end bracket UL	27	63663	Drain sensor bracket	22
42286	DIN end plate 2.5mm2 - Grey UL	27	63666	Drain axle - cam sensor	22
42287	DIN connector 10mm2 - Grey UL	27	63668	Baseplate basket rotation assembly	19
42288	DIN connector 10mm2 - Blue UL	27	63669	Camsaft sensor basket rotation	19
42289	DIN connector 10mm2 - Green Yellow UL	27	63674	Wash pipe assembly complete	20
63465	Bottom base assembly - UL/NSF	6	63680	Front panel - Main body plate assembly	25
63559	Filter metal guide bottom	6	63681	CPU Board metal box	25
63560	Mounting box plate ventilation motor	6	63682	Display holder - Top part	25
63562	Air filter metal holder box	23	63683	Display holder - Bottom part	25
63563	Distance plate - Rear upper	6	63684	Display holder - Extra bracket	25
63564	Protection side plate wash pump	6	63686	Electrical-Power Boards aluminium box	27
63565	Mounting plate - Wash pump	20	63687	Ovenchamber particle dripping box	9
63566	Mounting plate - Wash pump rubber damper	20	63697	Ovenchamber washing filter plate	9
63567	Electronic box metal holder plate	6	63700	Incoming water filter - Wash pump	20
63567	Electronic box metal holder plate	27	63752	Neutral metal plate - Elements	13
63569	Ventilation metal cover plate	6	63753	Ventilation motor holding plate	23
63572	Distance washer FAN motor	23	63755	Basket rotation axial seal metal plate	18
63582	LF12E - Front panel	11	63756	FAN motor mounting plate	23
63585	Basket rotation seal metal plate v2	18	63759	Elements mounting plate - Inside chamber	13
63588	Mounting plate O-ring wash pipe - Outer	20	63760	Ovenchamber protection front plate - Left	9
63598	Crisp ventilation hatch - Assembly	23	63761	Ovenchamber protection front plate - Right	9
63599	LF12E oven space	9	63762	Mounting plate O-ring wash pipe - Middle	20
63601	Ventilation solenoid mounting plate	23	63763	LF12E - Outer panel - Top	10
63602	Crisp ventilation hatch - Mount bracket	23	63765	LF12E - Outer panel - Right/Left	10
63603	Crisp ventilation hatch - Hatch plate	23	63767	LF12E - Outer panel - Back	10
63611	Outer basket - Bottom slide rail coated	16	63857	Chimney pipe with nails	20
63612	Outer basket - Upper slide rail coated	16	63865	Basket door sensor - Bended	8
63616	Inner basket lock spring plate	15	63900	Basket rotation motor 115v 60Hz 5.3rpm UL	19
63617	Inner basket lock bracket - Left	15	63903	Basket Rotation - Complete Assembly UL	18
63618	Inner basket lock bracket - Right	15	63905	Ventilation motor 115v 60Hz UL	23
63622	Inner basket bearing plate	15	63910	Wash pump + Capacitor - 120v 60Hz UL	20
63624	Outer basket - Drive socket axle	16	63915	Drain Motor 115v 60Hz 10rpm UL	22
63629	Outer basket main body	16	63918	Drain assembly UL - Complete set	20
63630	Outer basket complete set	17	63920	Magnetic Water Valve - 120V 60Hz 180° UL	20
63633	Main door hinge - Upper	7	63985	LF12E Ventilation hood	29

Art.	Description	Page	Art.	Description	Page
64375	Main door hinge - Lower	7	95218	Hose - Incoming water	20
64376	Dripping tray holder	7	95241	Inner basket assembly NSF	15
64571	Dripping protection plate wash pump	6	95250	Inner basket with basket door complete set - NSF	17
64810	LF12E Dripping tray	29	95302	Main door complete - UL/NSF	7
65872	Temperature sensor - Left side	26			
65873	Temperature sensor - Back side	26			
65916	Hose - Pressure sensor	20			
65917	Hose - Chimney dripping water - Ø10-20mm	20			
65920	Hose - Detergent - Ø6.3 - Custom length	20			
65920	Hose - Detergent - Ø6.3 - Custom length	29			
67200	Power supply 12v	27			
67203	Transformer 24v UL	27			
67210	DIN rail - 500mm	27			
67241	Timer relay - Ventilation	27			
67242	Overheat mechanical protection 300°	27			
67243	Shunt release TRIP - UL	27			
67255	Fuse 3 phase - 25A - UL	27			
67256	Fuse 3 phase - 6A - UL	27			
67257	Fuse 1 phase - 6A - UL	27			
67258	Ground current circuit breaker - UL	27			
67261	Motor protection 3 phase - 1.6A - UL	27			
67271	Main contactor 3 phase UL	27			
67290	CPU-LPB flat cable assembly	27			
67291	LPB-HPB flat cable assembly	27			
67405	USB cover plate	5			
68334	Oven chamber - Corner fixture gasket Left	9			
68335	Oven chamber - Corner fixture gasket Right	9			
68419	Oven chamber bottom air guidance plate	9			
91011	Low Power Board (LPB) - CE/UL	27			
91018	High power board (HPB) CE/UL	27			
92005	Hose nipple SS - Drain out	20			
92014	Elbow connection SS - Drain system	20			
93056	Lightfry bottom base assembly	5			
93062	Rear support plate assembly	6			
93140	Door cable assembly	26			
93715	Pressure sensor cable assembly	26			
95003	Adjustable foot - NSF	5			
95010	Marking plate label LF12U	5			
95015	Warning + caution sticker ETL+NSF	10			
95020	Hot surface sign sticker	7			
95030	Caution copper wire sticker UL	26			
95105	Main door - Main body	8			
95150	Oven chamber air guidance NSF	9			
95203	Hose - Pump intake	20			
95216	Hose - Pump washpipe	20			

